



US00D822237S

(12) **United States Design Patent**
Woodhouse et al.

(10) **Patent No.:** **US D822,237 S**
(45) **Date of Patent:** **** Jul. 3, 2018**

(54) **VEHICLE TAIL LAMP**

(71) Applicant: **Ford Global Technologies, LLC**,
Dearborn, MI (US)

(72) Inventors: **David Woodhouse**, Troy, MI (US);
Earl Lucas, Southfield, MI (US);
Solomon Song, Farmington Hills, MI
(US); **Mark Kaski**, Royal Oak, MI
(US); **Viet Nguyen**, Madison Heights,
MI (US)

(73) Assignee: **Ford Global Technologies, LLC**,
Dearborn, MI (US)

(**) Term: **15 Years**

(21) Appl. No.: **29/597,086**

(22) Filed: **Mar. 14, 2017**

(51) **LOC (11) Cl.** **26-06**

(52) **U.S. Cl.**
USPC **D26/28**

(58) **Field of Classification Search**
USPC D26/28-36; 362/80-83, 267-269,
362/459-468, 475-478, 485-487
CPC F21S 48/00; F21S 48/10; F21S 48/115;
F21S 48/225; F21S 48/1233; F21S
48/1266; F21S 48/1388; F21S 48/2268;
F21V 21/04

See application file for complete search history.

(56) **References Cited**

U.S. PATENT DOCUMENTS

| | | | | |
|--------------|--------|--------------|-------|--------|
| D447,825 S * | 9/2001 | Lee | | D26/28 |
| D472,986 S * | 4/2003 | Kim | | D26/28 |
| D544,112 S * | 6/2007 | Moore | | D26/28 |
| D712,573 S * | 9/2014 | Borkert | | D26/28 |
| D750,294 S | 2/2016 | Wolff et al. | | |

* cited by examiner

Primary Examiner — Marcus Jackson

(74) *Attorney, Agent, or Firm* — James Dottavio

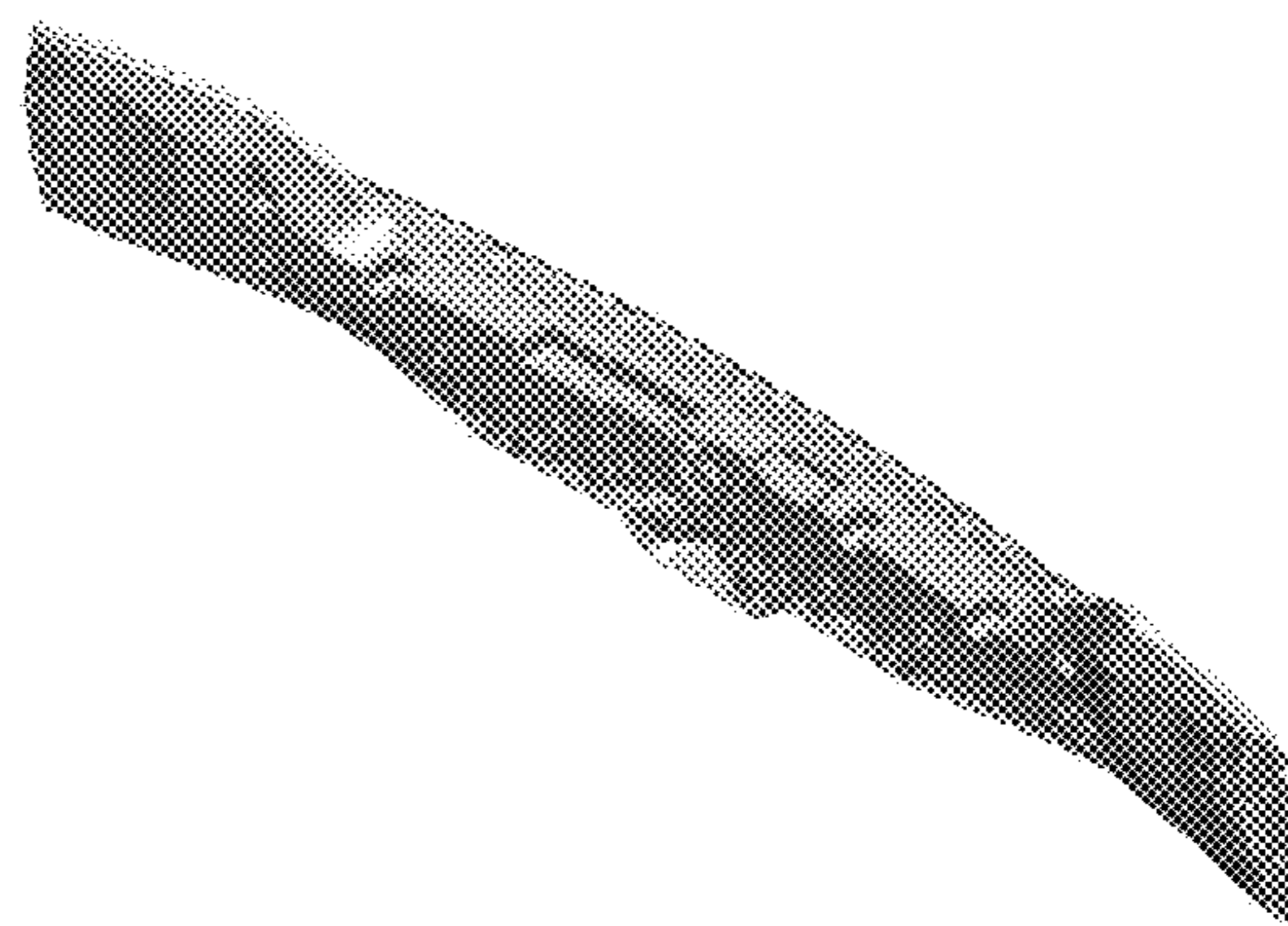
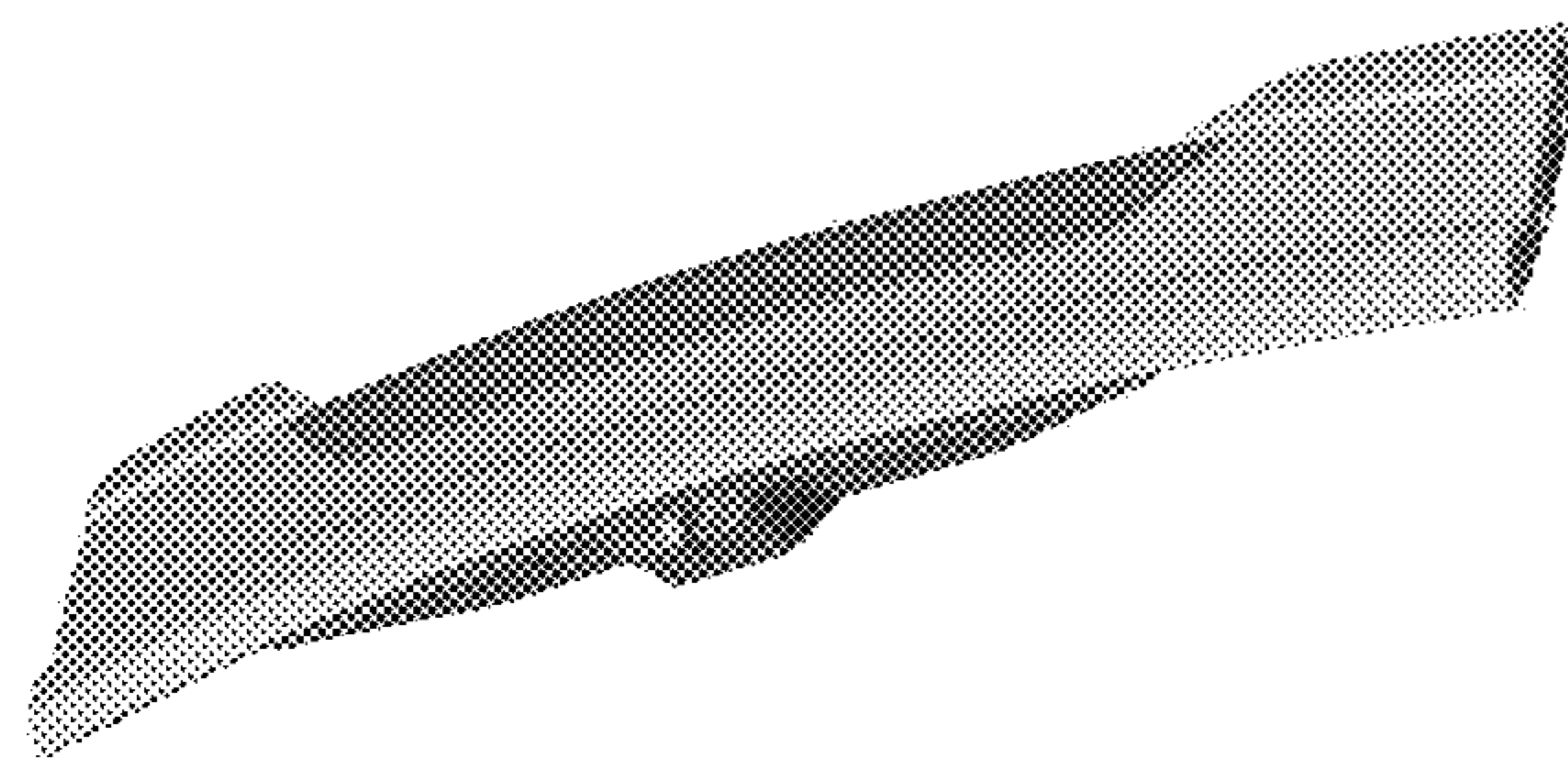
(57) **CLAIM**

The ornamental design for a vehicle tail lamp, as shown.

DESCRIPTION

FIG. 1 is a top, front and right perspective view of a vehicle tail lamp, showing our new design;
FIG. 2 is a bottom, front and right perspective view thereof;
FIG. 3 is a top, rear and right perspective view thereof;
FIG. 4 is a front elevational view thereof;
FIG. 5 is a rear elevational view thereof;
FIG. 6 is a left side elevational view thereof;
FIG. 7 is a right side elevational view thereof;
FIG. 8 is a top plan view thereof; and,
FIG. 9 is a bottom plan view thereof.

1 Claim, 9 Drawing Sheets



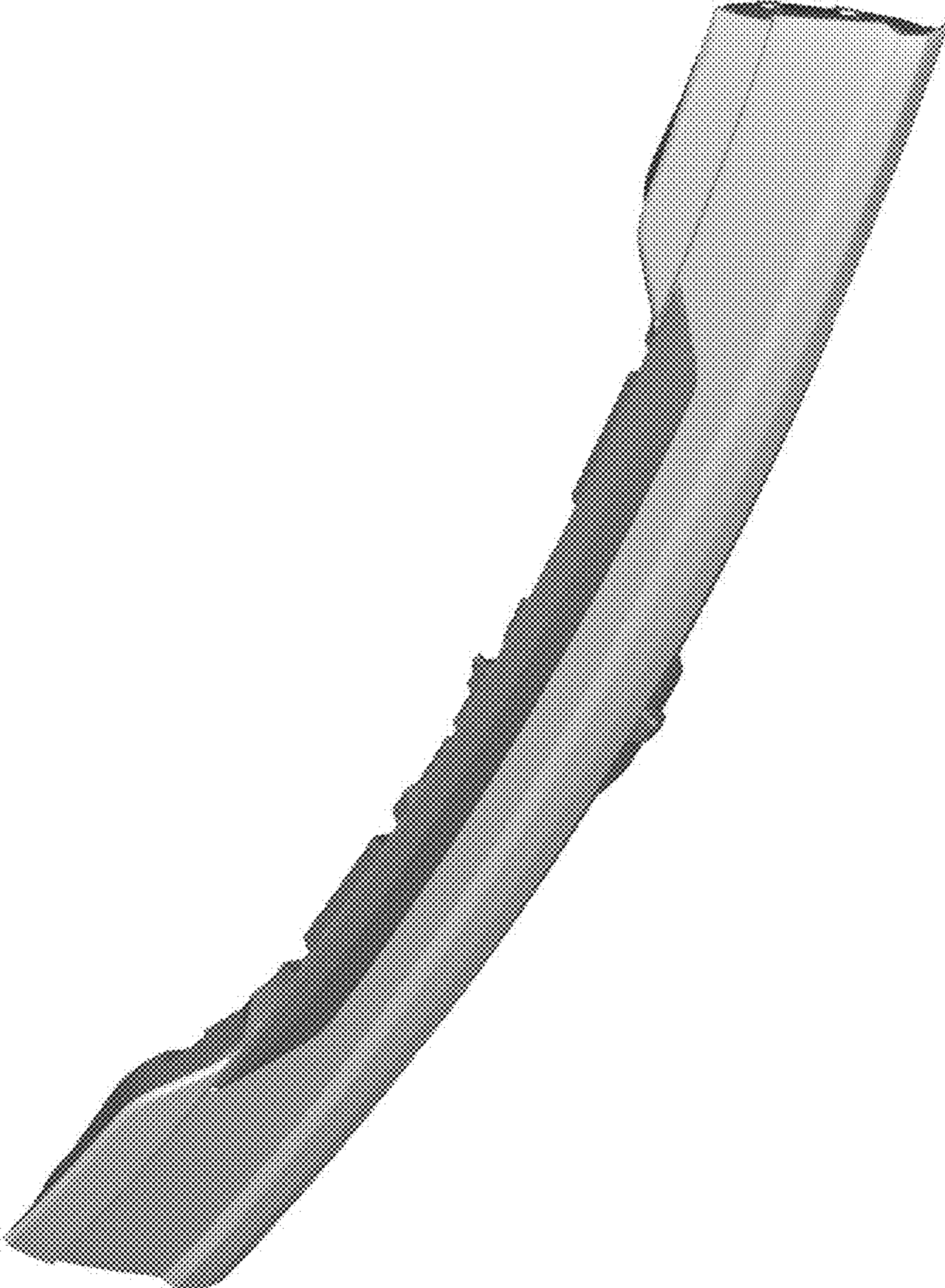


Figure 1

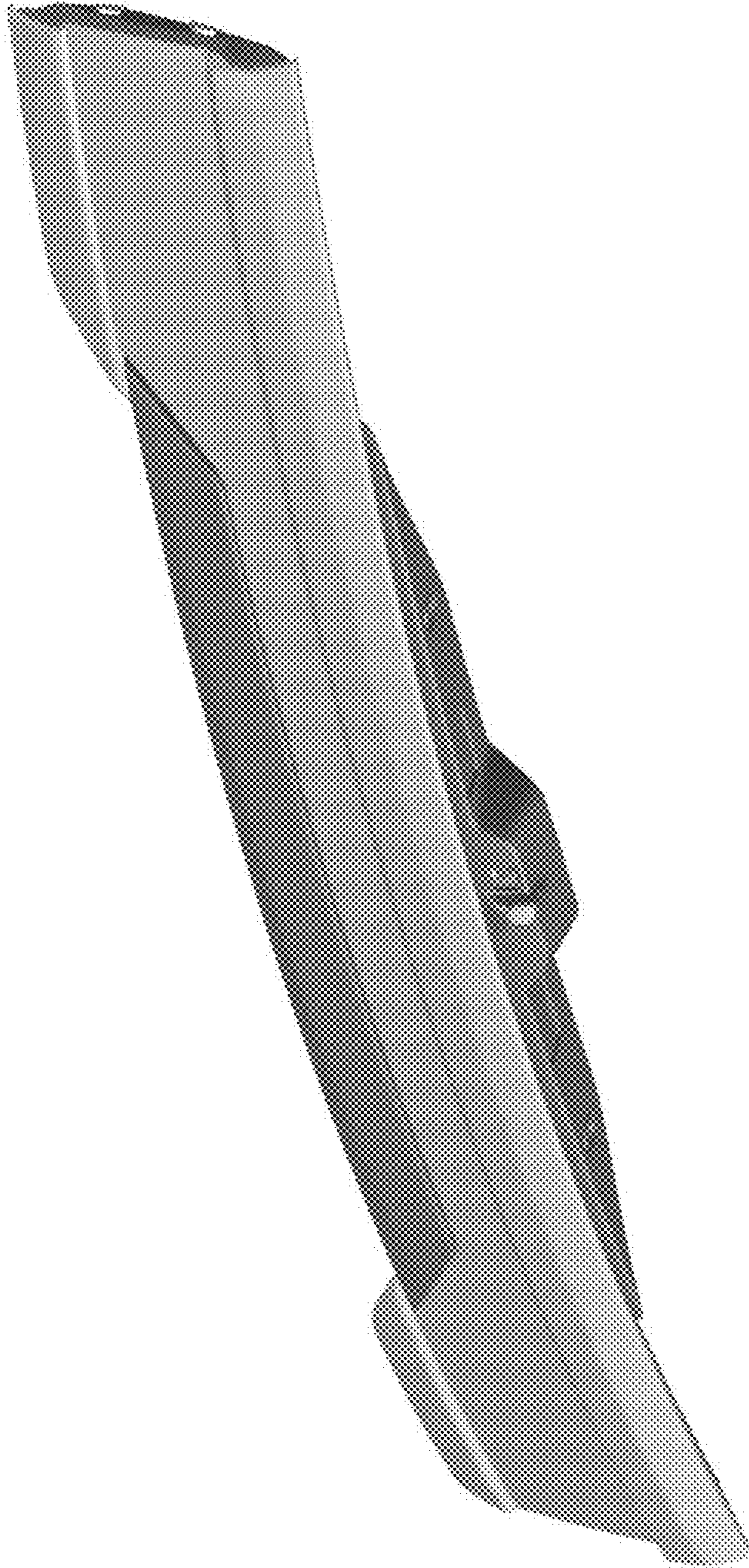


Figure 2



Figure 3

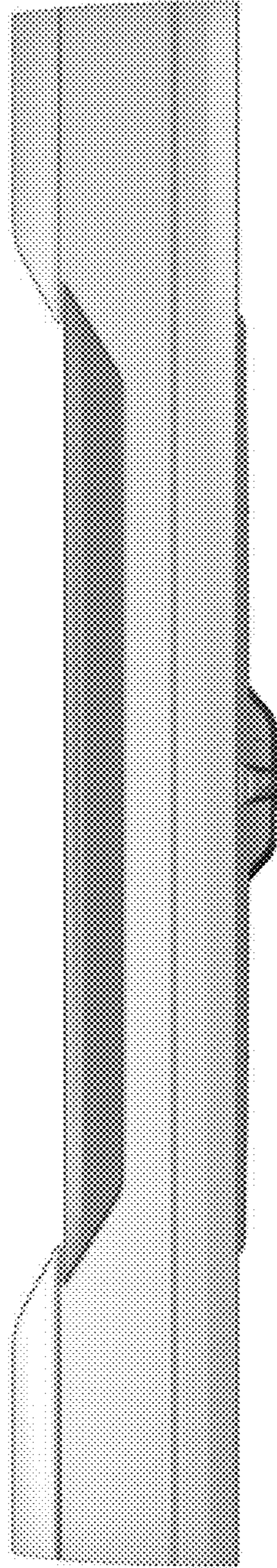


Figure 4

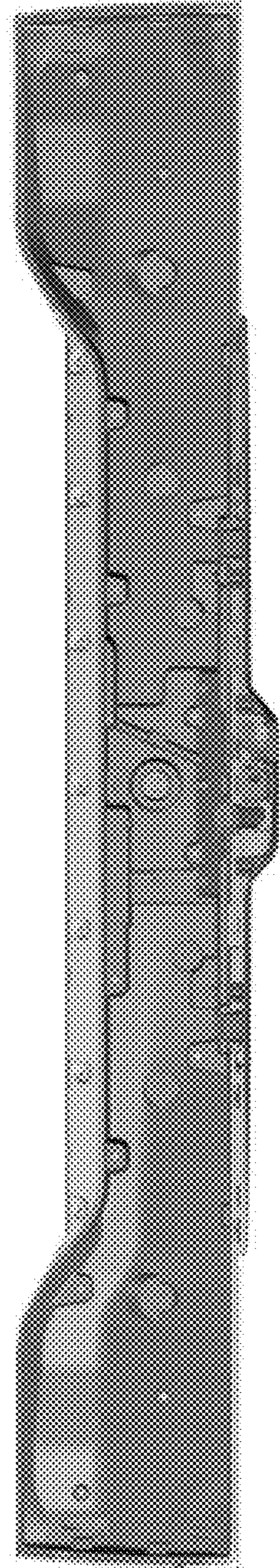


Figure 5

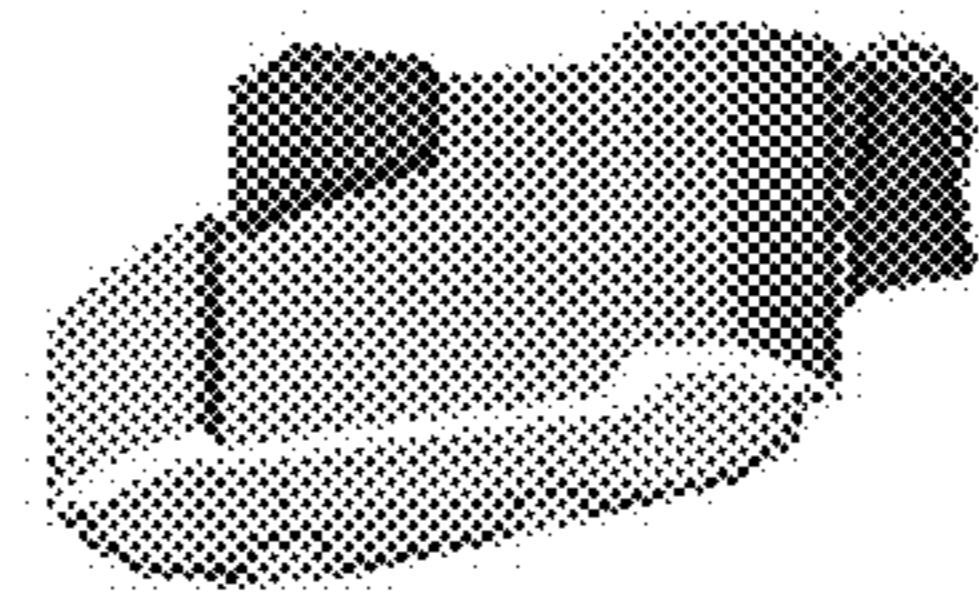


Figure 6

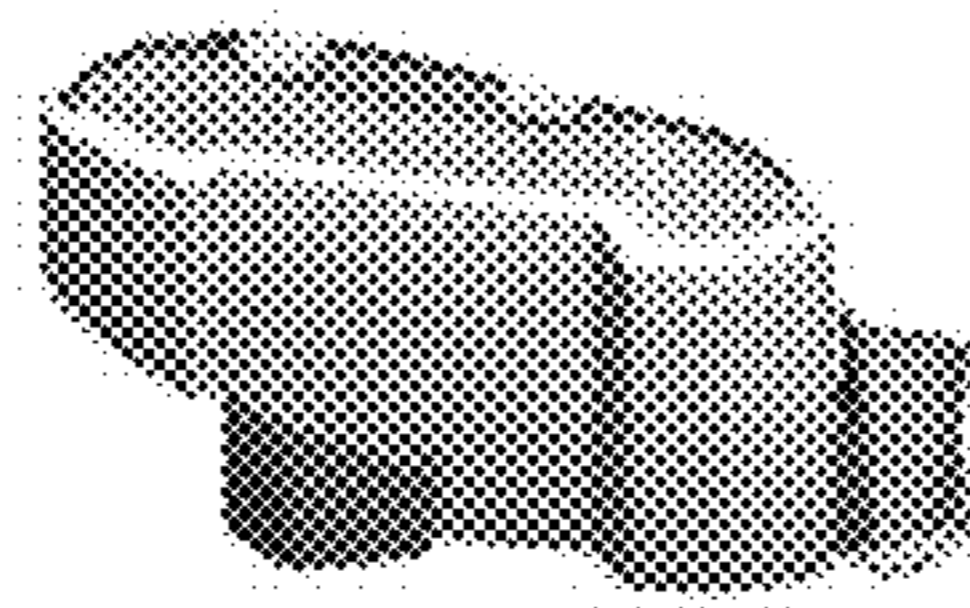


Figure 7



Figure 8

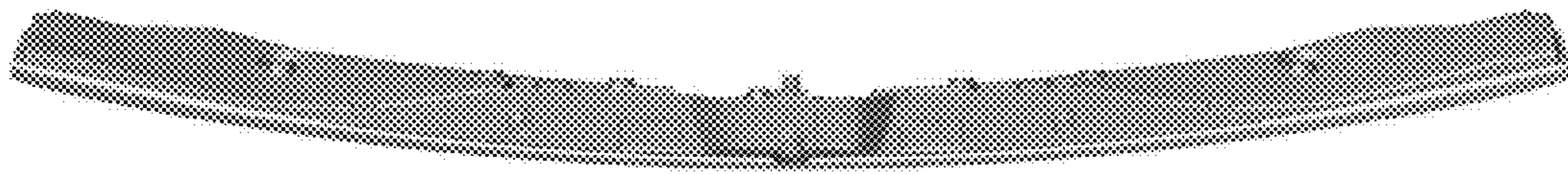


Figure 9