



US00D822230S

(12) **United States Design Patent**
Jiang et al.

(10) **Patent No.:** **US D822,230 S**
(45) **Date of Patent:** **** Jul. 3, 2018**

(54) **LIGHT BULB FILAMENT**

(56) **References Cited**

(71) Applicant: **XIAMEN ECO LIGHTING CO., LTD.**, Xiamen, Fujian Province (CN)

U.S. PATENT DOCUMENTS

(72) Inventors: **Hongkui Jiang**, Xiamen (CN);
Yanzeng Gao, Xiamen (CN); **Feng Wu**, Xiamen (CN); **Hongbin Lin**, Xiamen (CN)

D410,554 S *	6/1999	Guyton	D26/2
D422,099 S *	3/2000	Kracke	D26/2
D549,360 S *	8/2007	An	D26/2
D550,864 S *	9/2007	Hernandez, Jr.	D26/2
D689,215 S *	9/2013	Xue	D26/2

(73) Assignee: **XIAMEN ECO LIGHTING CO., LTD.** (CN)

* cited by examiner

Primary Examiner — Marcus Jackson
(74) *Attorney, Agent, or Firm* — PROI Intellectual Property US

(**) Term: **15 Years**

(21) Appl. No.: **29/605,664**

(57) **CLAIM**

(22) Filed: **May 29, 2017**

“The ornamental design for a light bulb filament, as shown and described”.

(30) **Foreign Application Priority Data**

DESCRIPTION

Feb. 17, 2017 (CN) 2017 3 0042590

(51) **LOC (11) Cl.** **26-04**

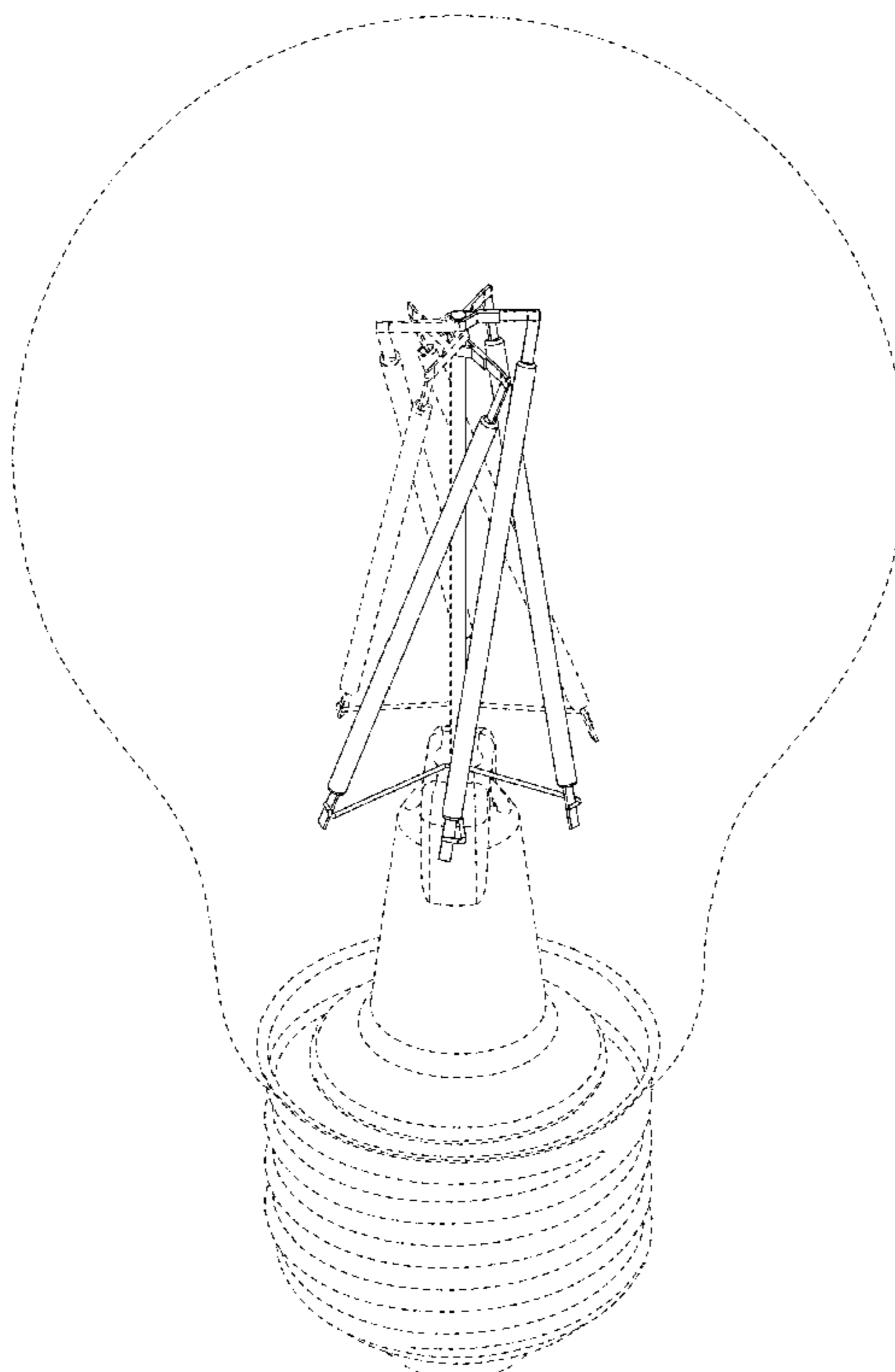
(52) **U.S. Cl.**
USPC **D26/2**

(58) **Field of Classification Search**
USPC D26/1-4; 313/313, 315, 316, 317, 318,
313/493; 315/52, 53, 56, 57, 58
CPC H01R 5/00; H01R 13/46; H01R 13/514;
H01R 31/048; H01R 31/02; H01J 5/00;
H01J 5/16; H01J 15/00; H01J 5/48; H01J
5/50; H01J 19/54; F21V 5/00
See application file for complete search history.

FIG. 1 is a perspective front View of a light bulb filament;
FIG. 2 is a left side View thereof;
FIG. 3 is a front View thereof;
FIG. 4 is a right side View thereof;
FIG. 5 is a rear View thereof;
FIG. 6 is a top plan View thereof;
FIG. 7 is a bottom plan View thereof; and,
FIG. 8 is a perspective rear View thereof.

The broken line showing of the other portions of the bulb is included for the purpose of illustrating only and forms no part of the claimed design.

1 Claim, 8 Drawing Sheets



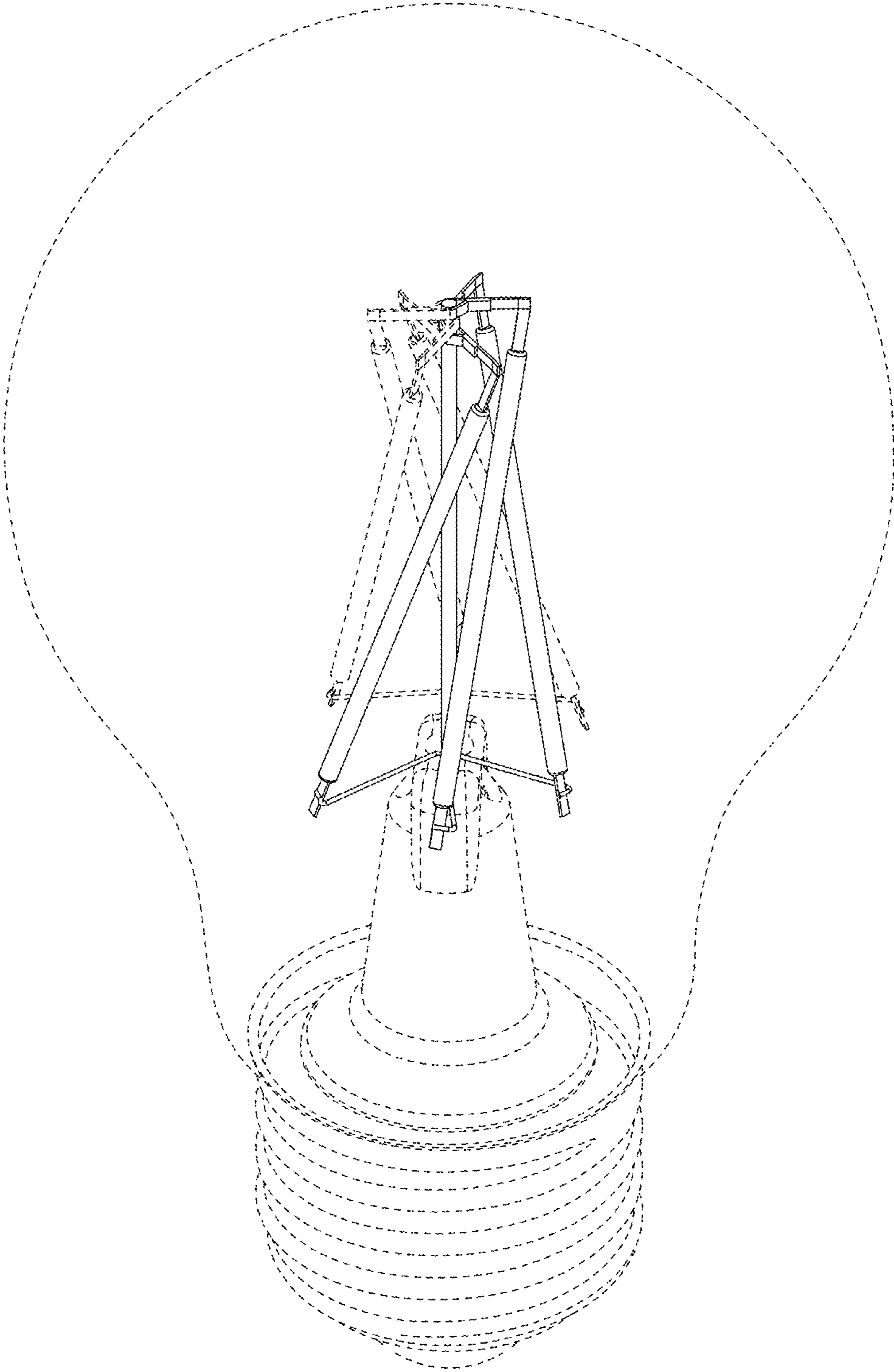


FIG. 1

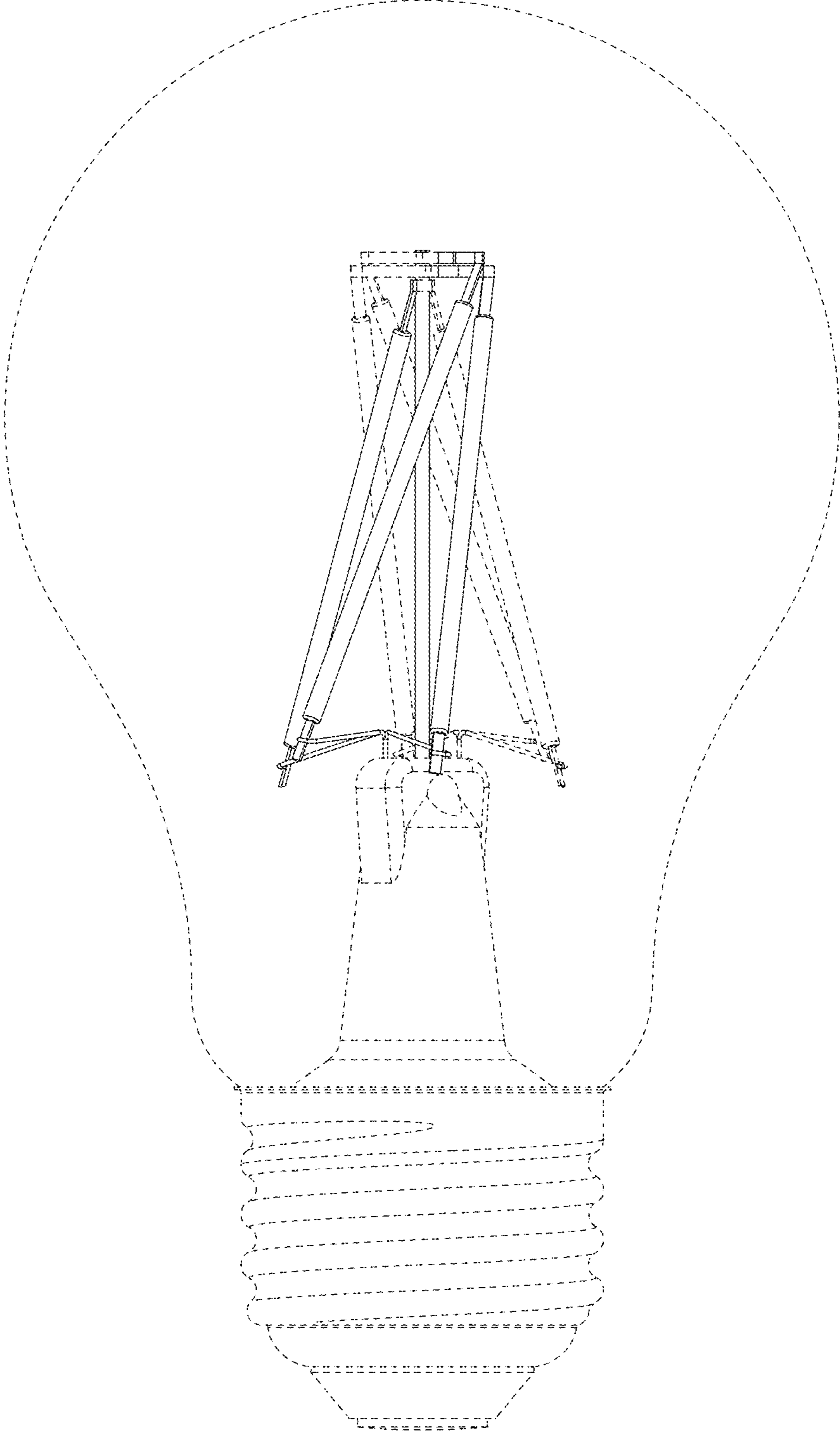


FIG. 2

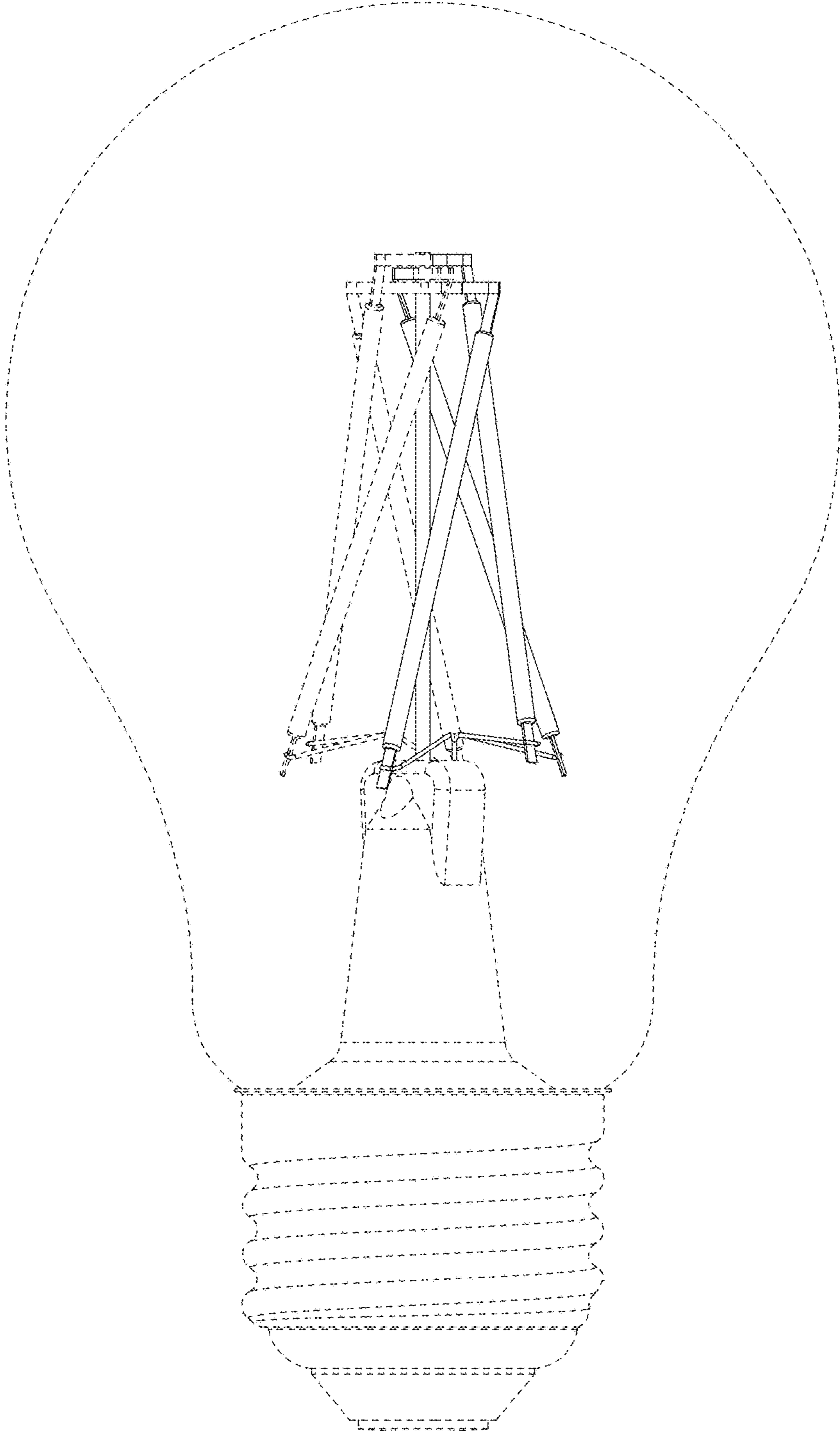


FIG. 3

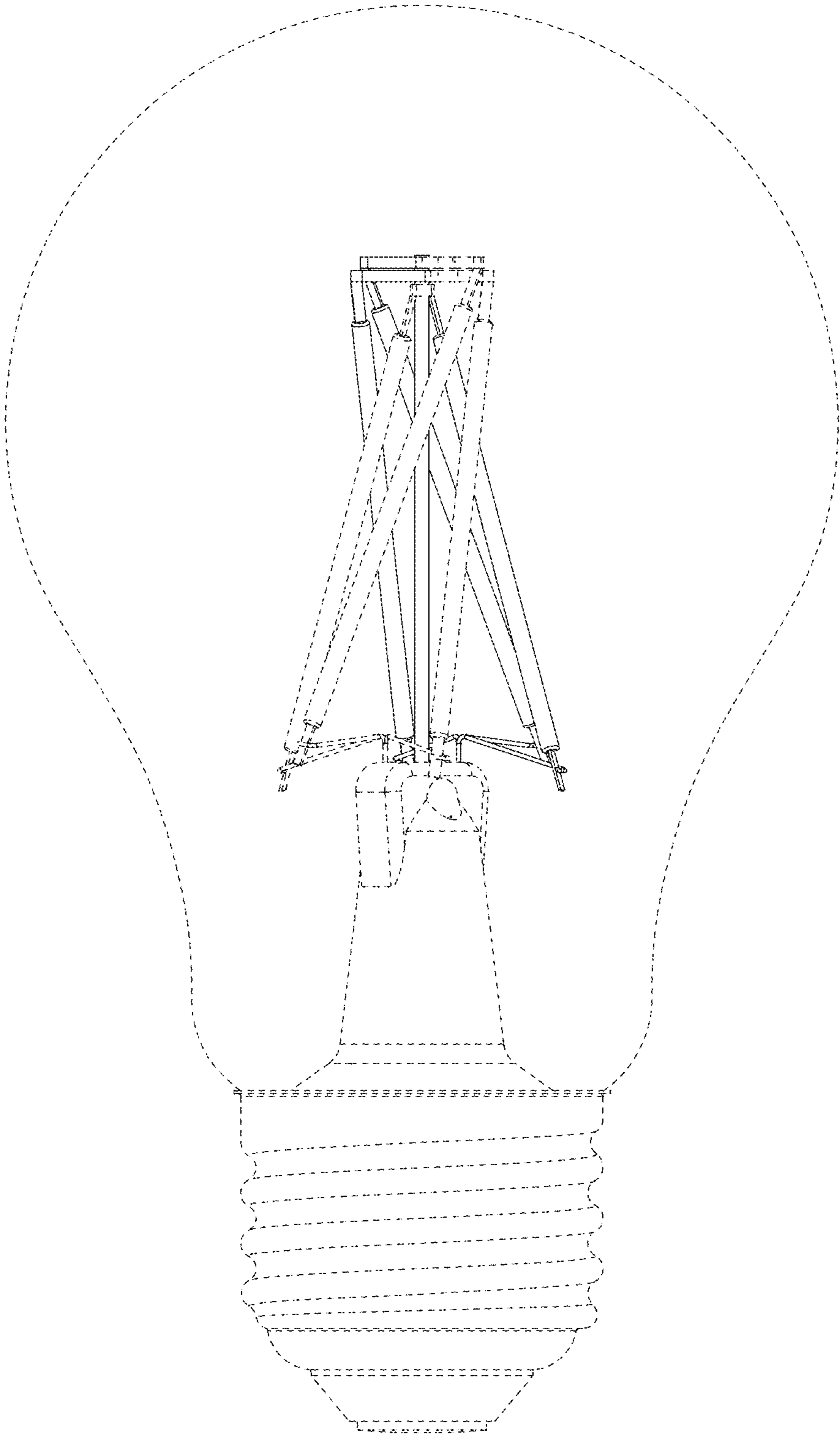


FIG. 4

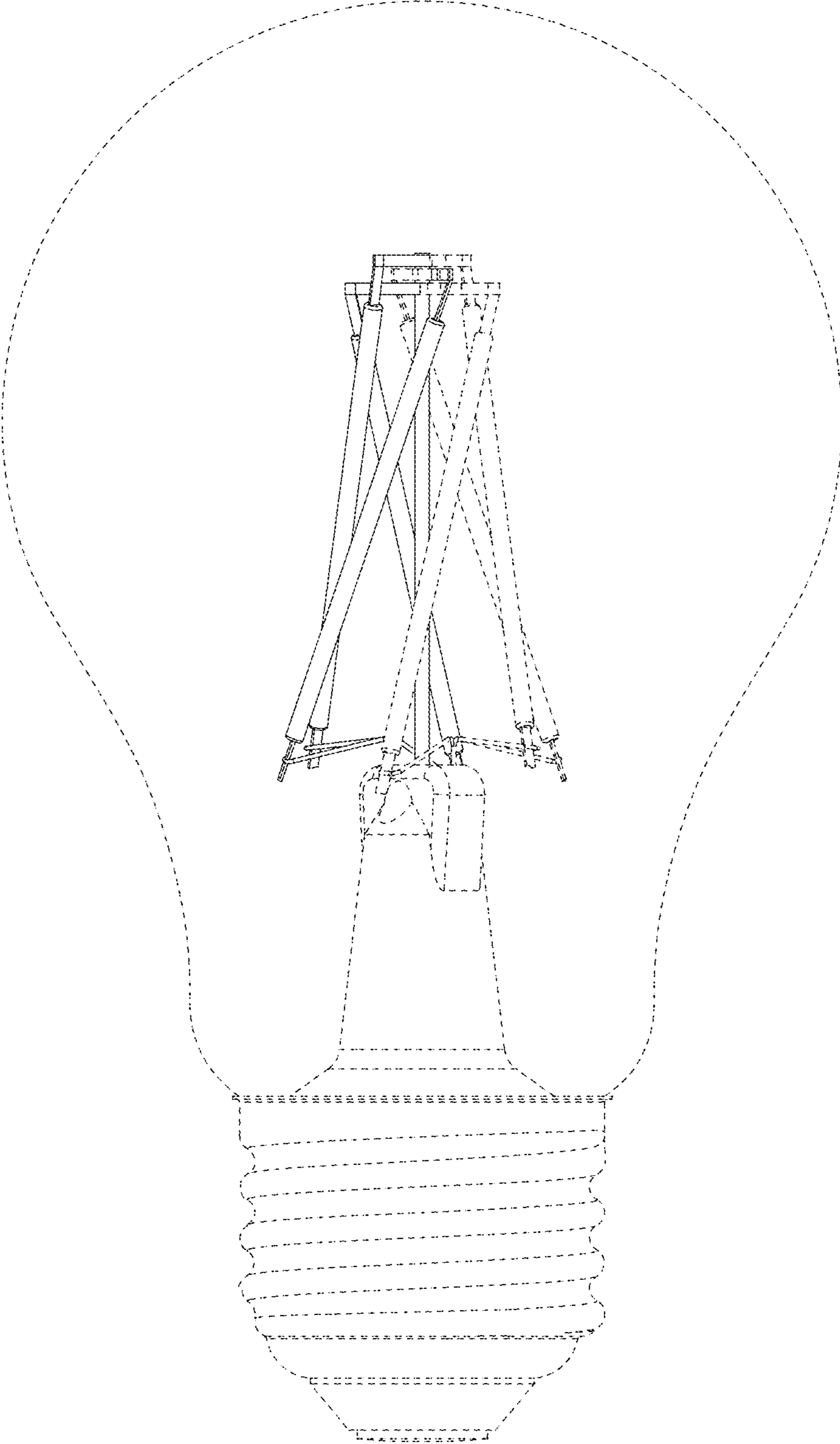


FIG. 5

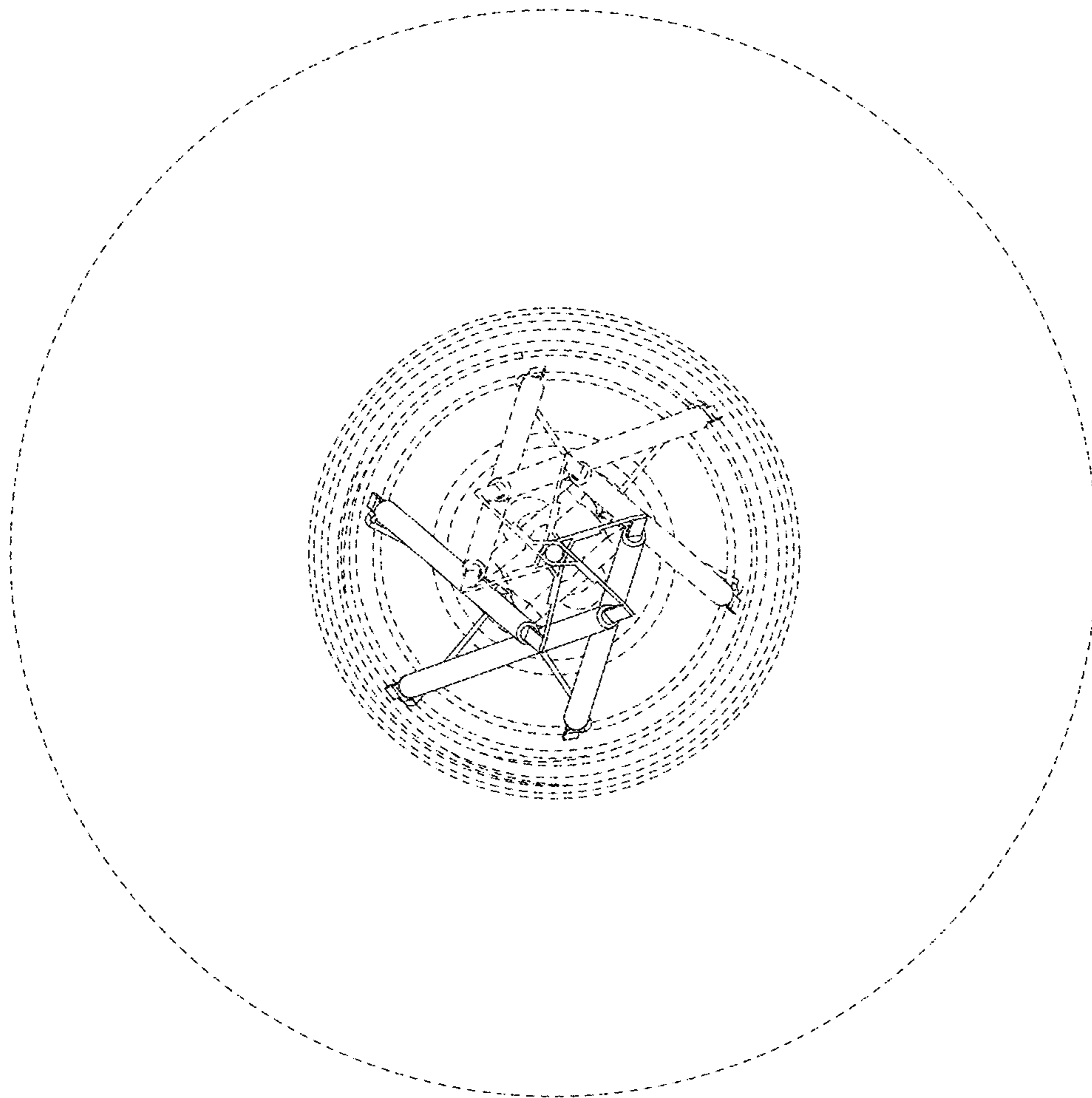


FIG. 6

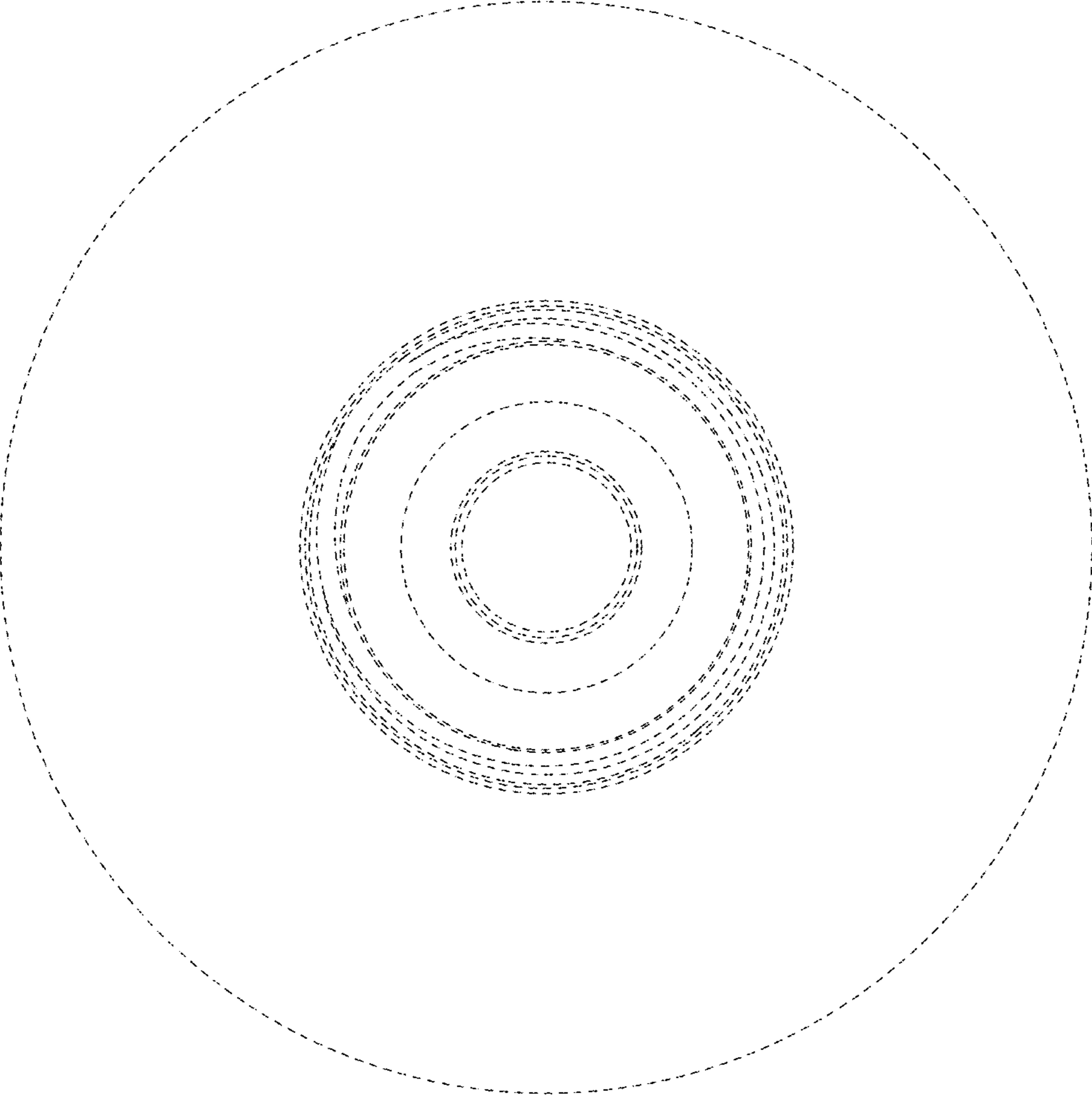


FIG. 7

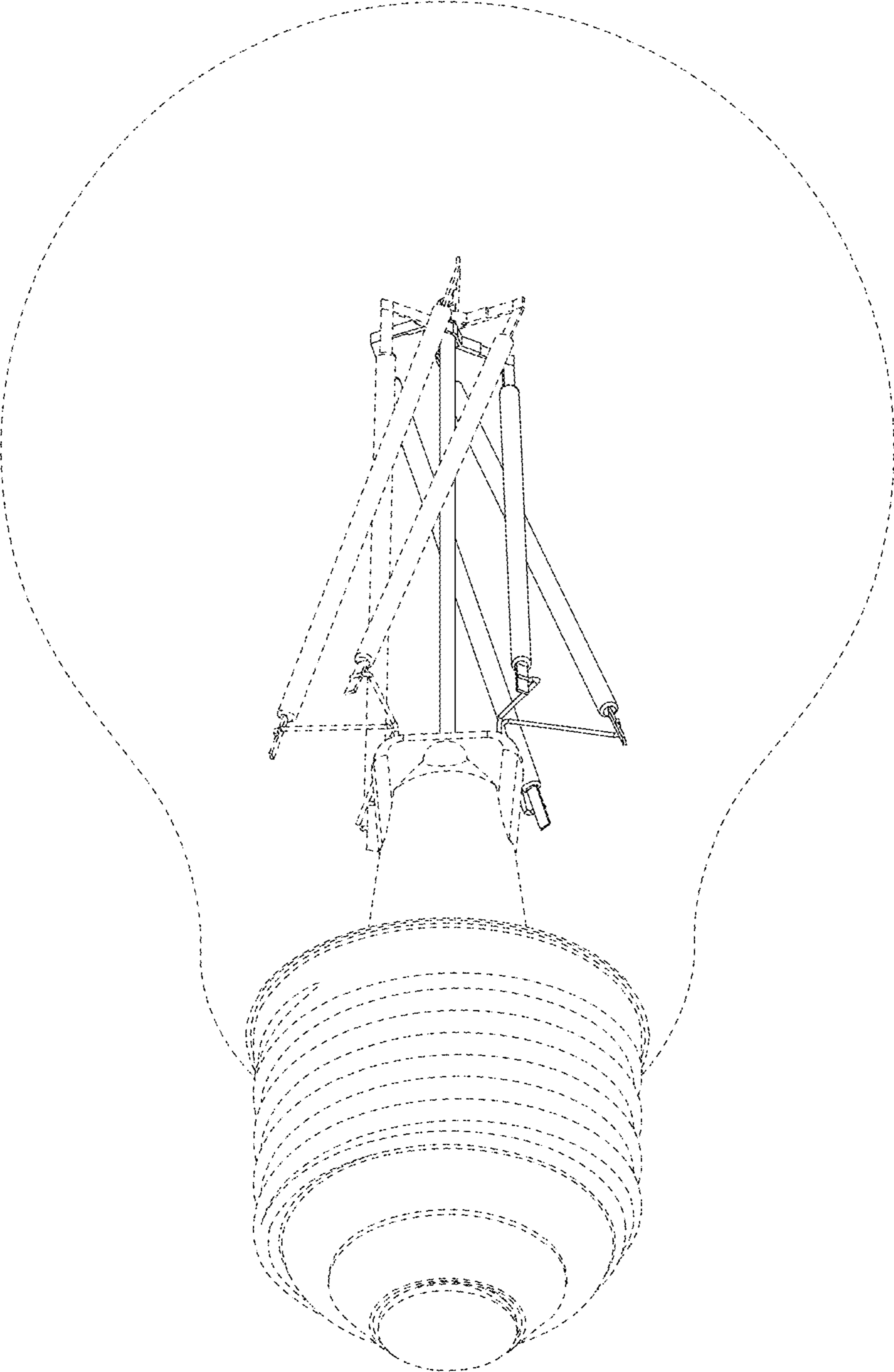


FIG. 8