



US00D822228S

(12) **United States Design Patent**
Wang et al.

(10) **Patent No.:** **US D822,228 S**
(45) **Date of Patent:** **** Jul. 3, 2018**

(54) **SLIDING CHANNEL**

(71) Applicant: **WEIDER METAL INC.**, New Taipei (TW)

(72) Inventors: **Grace Show-Yin Wang**, New Taipei (TW); **Jennifer Wu**, New Taipei (TW); **Andy Wu**, New Taipei (TW); **Jacqueline Wu**, New Taipei (TW)

(73) Assignee: **WEIDER METAL INC.**, New Taipei (TW)

(**) Term: **15 Years**

(21) Appl. No.: **29/603,024**

(22) Filed: **May 5, 2017**

(51) **LOC (11) Cl.** **25-01**

(52) **U.S. Cl.**
USPC **D25/119**

(58) **Field of Classification Search**

USPC D25/35, 38.1, 41.1, 47.1, 48.2, 48.3, D25/48.4, 55, 119-137, 164, 199; D8/349, 353, 354, 355, 363, 373, 376, D8/380, 381, 382, 403; D6/324, 327, D6/648.1, 653.11, 654.11, 702, 712, D6/718.12, 512, 554, 556
CPC ... E04C 3/00; E04C 3/005; E04C 3/02; E04C 3/04; E04C 3/12; E04C 3/20; E04C 3/28; E04C 3/30; E06B 1/00; E06B 1/006; E06B 1/02; E06B 1/04; E06B 1/045; E06B 1/06; E06B 1/12; E06B 1/16; E06B 1/26; E06B 1/30; E06B 1/32; E06B 1/325; E06B 1/34; E06B 1/342; E06B 1/345; E06B 1/347; E06B 1/36; E06B 1/363; E06B 1/366; E06B 1/38; E06B 1/40; E06B 1/52; E06B 1/522; E06B 1/524; E06B 1/526; E06B 1/528; E06B 1/56; E06B 1/60; E06B 1/6092; E06B 1/62; E06B 1/70; E06B 1/702; E06B 1/705; E06B 1/707; E04F 2019/0404; E04F 2019/0413; E04F 2019/0422; E04F

2019/0454; E04F 19/02; E04F 19/022; E04F 19/026; E04F 19/028; E04F 19/04; E04F 19/0436; E04F 19/0481; E04F 19/0486; E04F 19/06; E04F 19/061; E04F (Continued)

(56) **References Cited**

U.S. PATENT DOCUMENTS

D263,759 S * 4/1982 Dallaire D25/119
D270,764 S * 9/1983 Kenin D25/119
(Continued)

Primary Examiner — Cynthia Ramirez
Assistant Examiner — L. Martinez-Rivera
(74) *Attorney, Agent, or Firm* — WPAT, PC

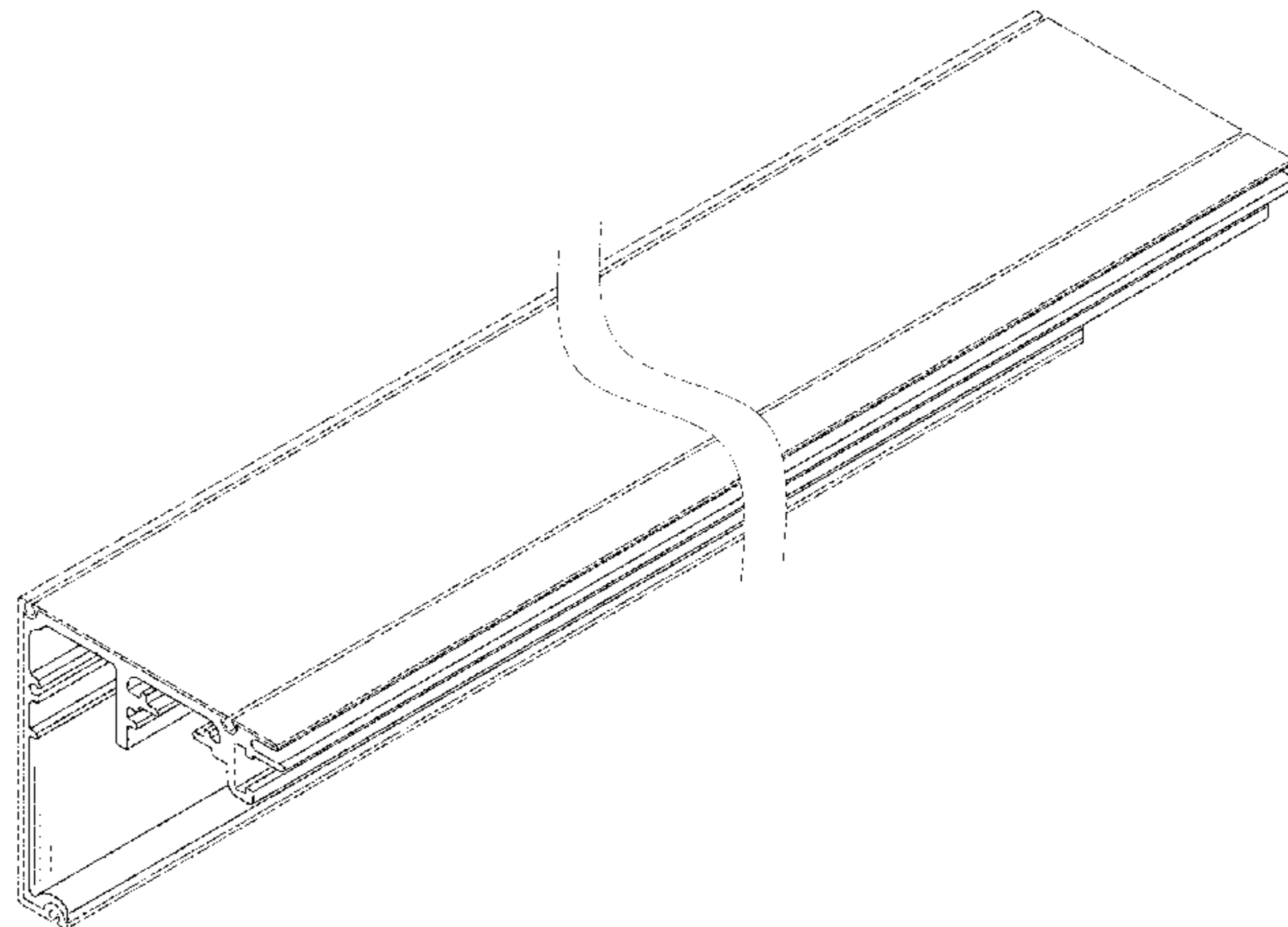
(57) **CLAIM**

The ornamental design for a sliding channel, as shown and described.

DESCRIPTION

FIG. 1 is a perspective view of a sliding channel showing our new design;
FIG. 2 is a front view thereof;
FIG. 3 is a rear view thereof;
FIG. 4 is a left side view thereof;
FIG. 5 is a right side view thereof;
FIG. 6 is a top view thereof; and,
FIG. 7 is a bottom view thereof.
The portions of the figures shown in broken lines depict environmental subject matter, are for illustration only and form no part of the claimed design.
The dot-dash broken lines in the figures are shown for the purpose of illustrating boundaries of the claimed design and the areas outside the dot-dash line boundaries form no part of the claimed design.
The sliding channel is shown with a symbolic break in its length. The appearance of any portion of the sliding channel between the break lines forms no part of the claimed design.

1 Claim, 7 Drawing Sheets



(58) **Field of Classification Search**

CPC .. 19/064; E04B 2001/2436; E04B 2001/2439;
 E04B 2001/2442; E04B 2001/2445; E04B
 2001/2448; E04B 2001/2451; E04B
 2001/2454; E04B 2001/2457; E04B
 2001/246; E04B 2001/2463; E04B 2/00;
 E04B 2/74; E04B 2/76; E04B 2/761;
 E04B 2/762; E04B 2/763; E04B 2/764;
 E04B 2/765; E04B 2/7854; E04B 2/7863;
 E04B 2/7872; E04B 2/7881; E04B 2/789

See application file for complete search history.

(56) **References Cited**

U.S. PATENT DOCUMENTS

D271,055 S * 10/1983 Cascone D25/119
 D318,139 S * 7/1991 Miller D13/155
 5,085,019 A * 2/1992 van Herpen E06B 3/365
 D25/124
 D324,705 S * 3/1992 Dallaire D25/119
 D343,005 S * 1/1994 Moss D25/119
 D344,423 S * 2/1994 Pate D25/119
 D363,788 S * 10/1995 Caley D25/119
 D378,856 S * 4/1997 Dallaire D25/124

D384,169 S * 9/1997 Leonelli D25/119
 D398,708 S * 9/1998 Opielski D25/119
 D402,062 S * 12/1998 Leonelli D25/119
 D425,215 S * 5/2000 Ginzel D25/119
 D497,434 S * 10/2004 Brabeck D25/119
 D525,371 S * 7/2006 Levi-Senigaglia D25/119
 D552,259 S * 10/2007 Allsopp D25/119
 D638,142 S * 5/2011 Van Camp D25/119
 D641,499 S * 7/2011 Turner D25/119
 D666,325 S * 8/2012 Morton D25/119
 D668,355 S * 10/2012 Divall D25/119
 D679,417 S * 4/2013 Nolan D25/119
 D679,418 S * 4/2013 Nolan D25/119
 D679,419 S * 4/2013 Gori D25/119
 D684,706 S * 6/2013 Nolan E06L 31/62
 D25/119
 D690,436 S * 9/2013 Elizarraras D25/136
 D693,483 S * 11/2013 Krieger E04F 13/0826
 D25/119
 D736,954 S * 8/2015 Krause D25/119
 D745,192 S * 12/2015 Suci D25/119
 D780,942 S * 3/2017 Krause E04B 1/7629
 D25/119
 D791,974 S * 7/2017 Nelson D25/119
 D791,975 S * 7/2017 Nelson D25/119

* cited by examiner

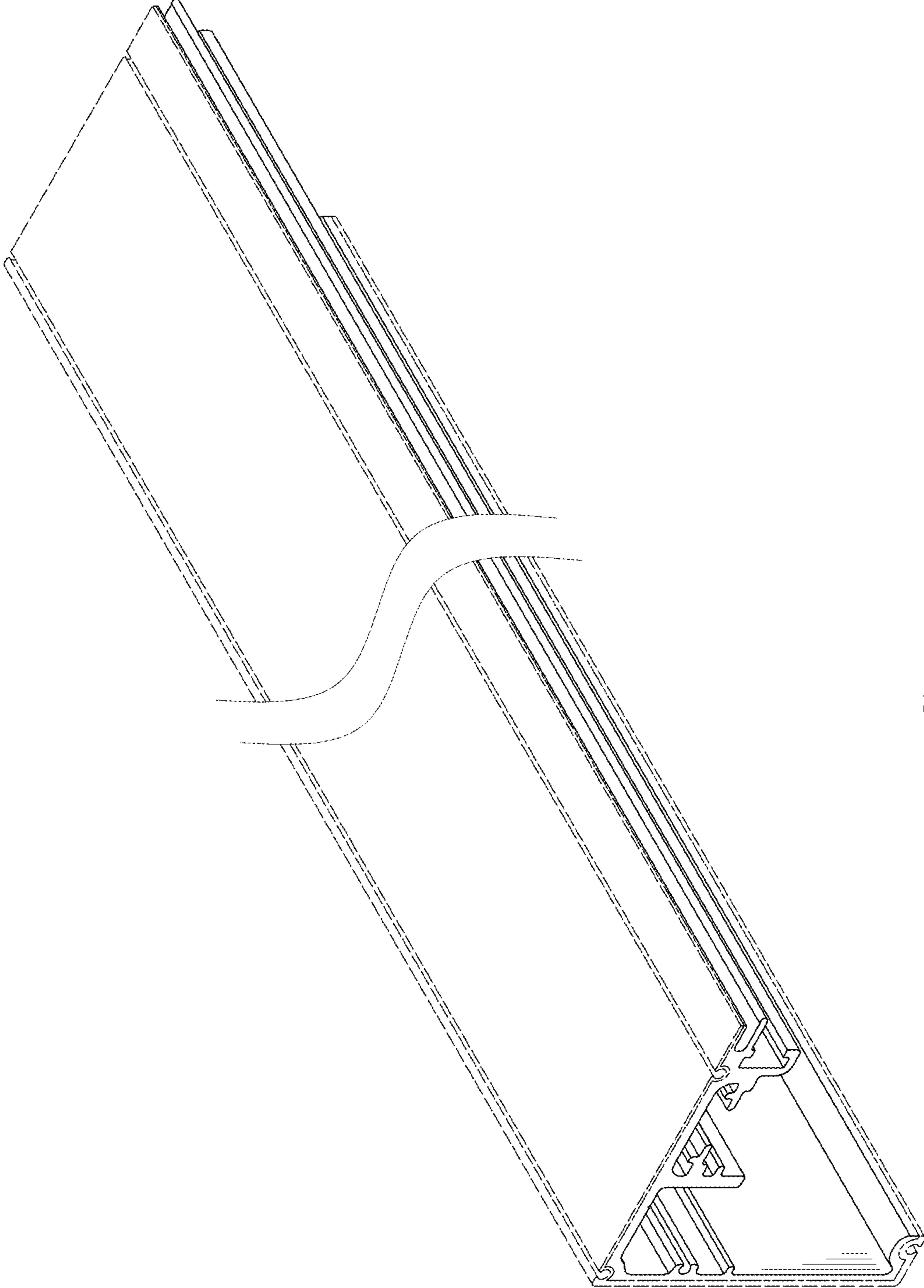


FIG. 1

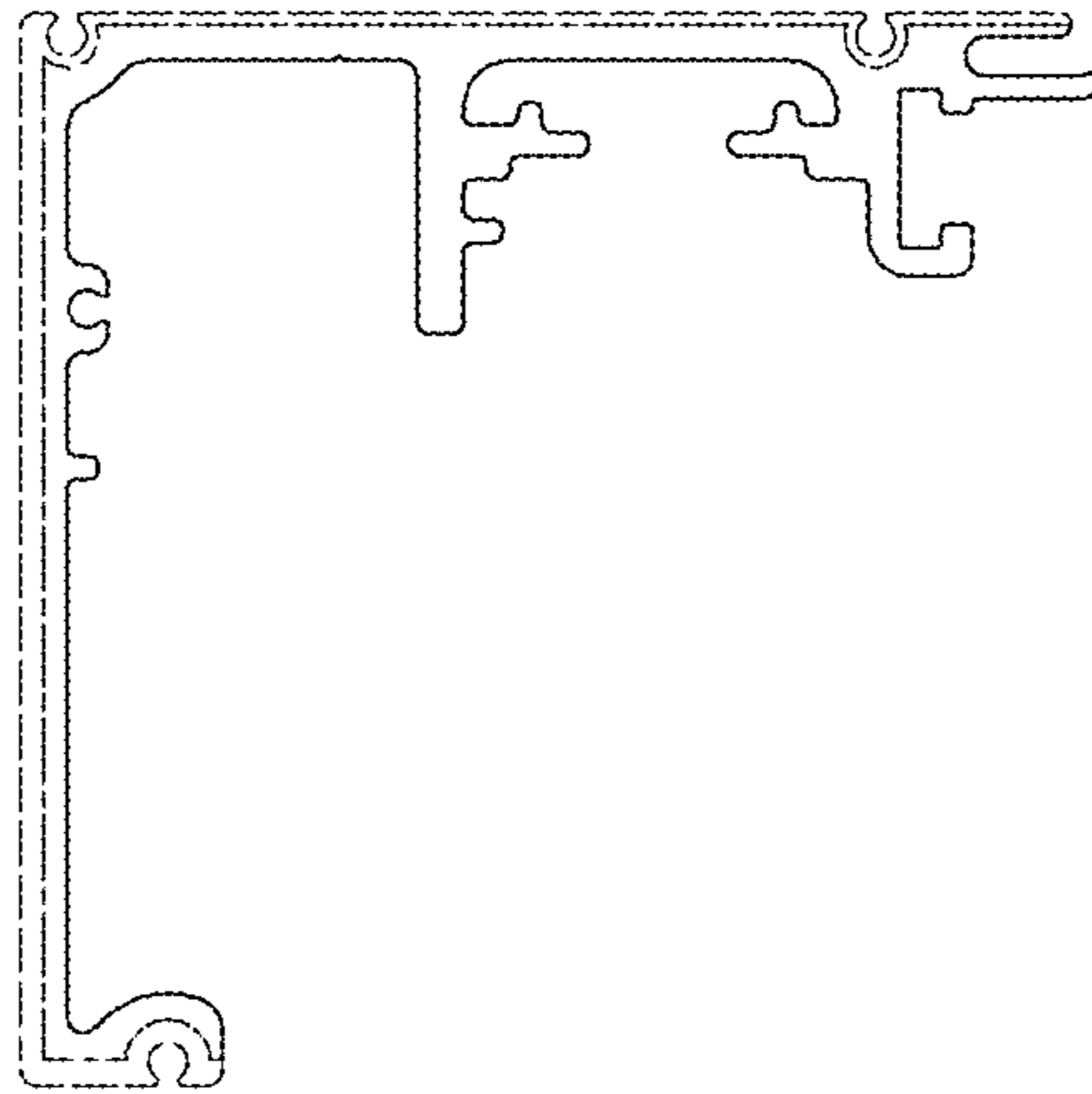


FIG. 2

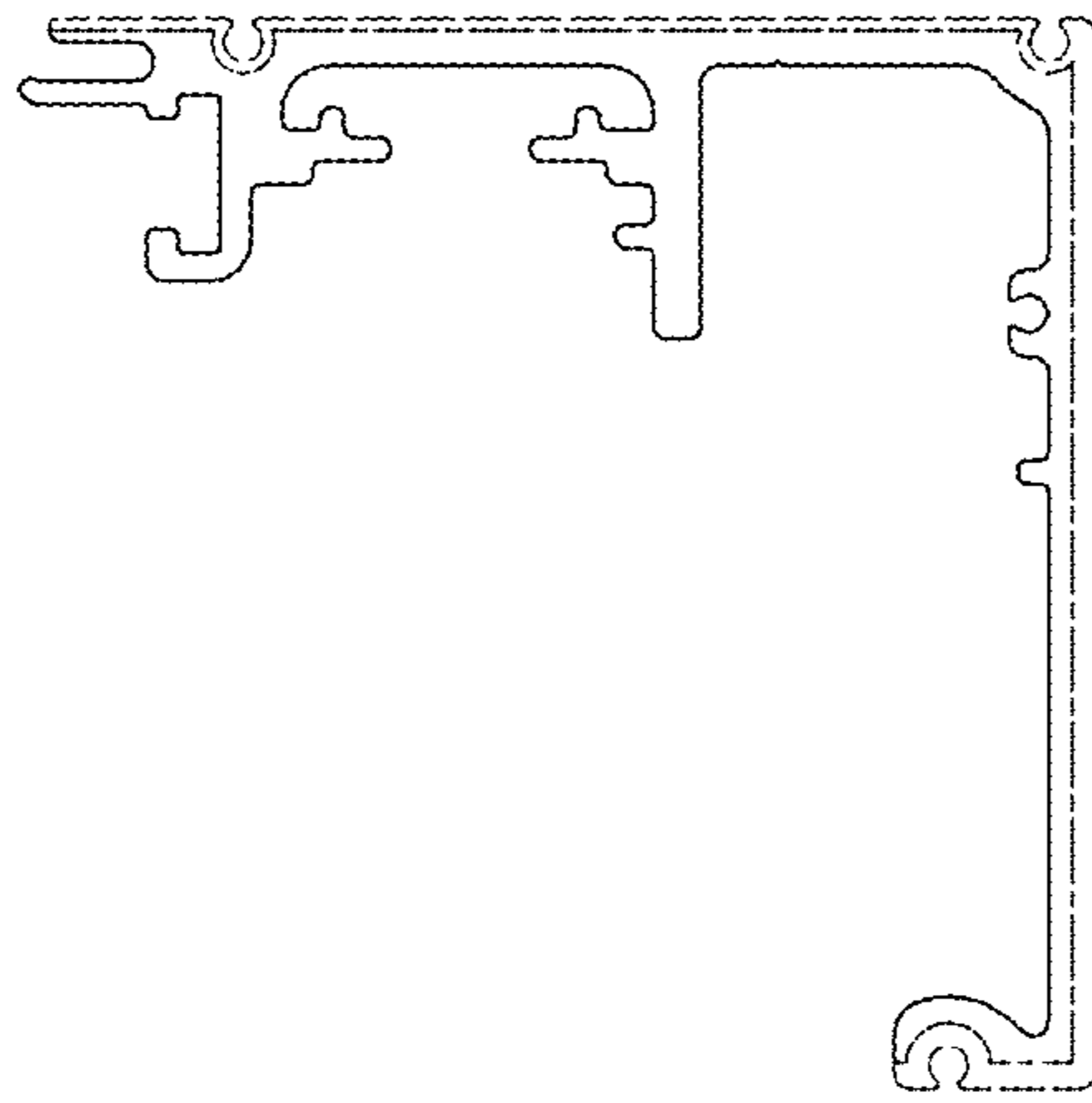


FIG. 3

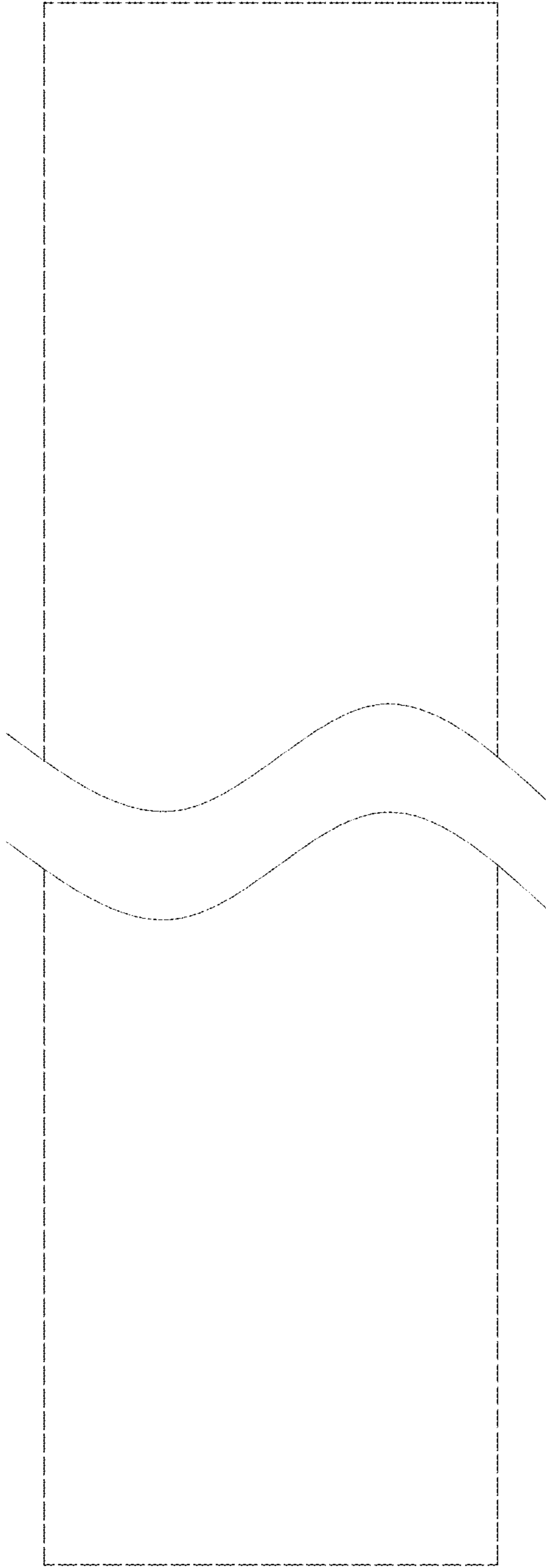


FIG. 4

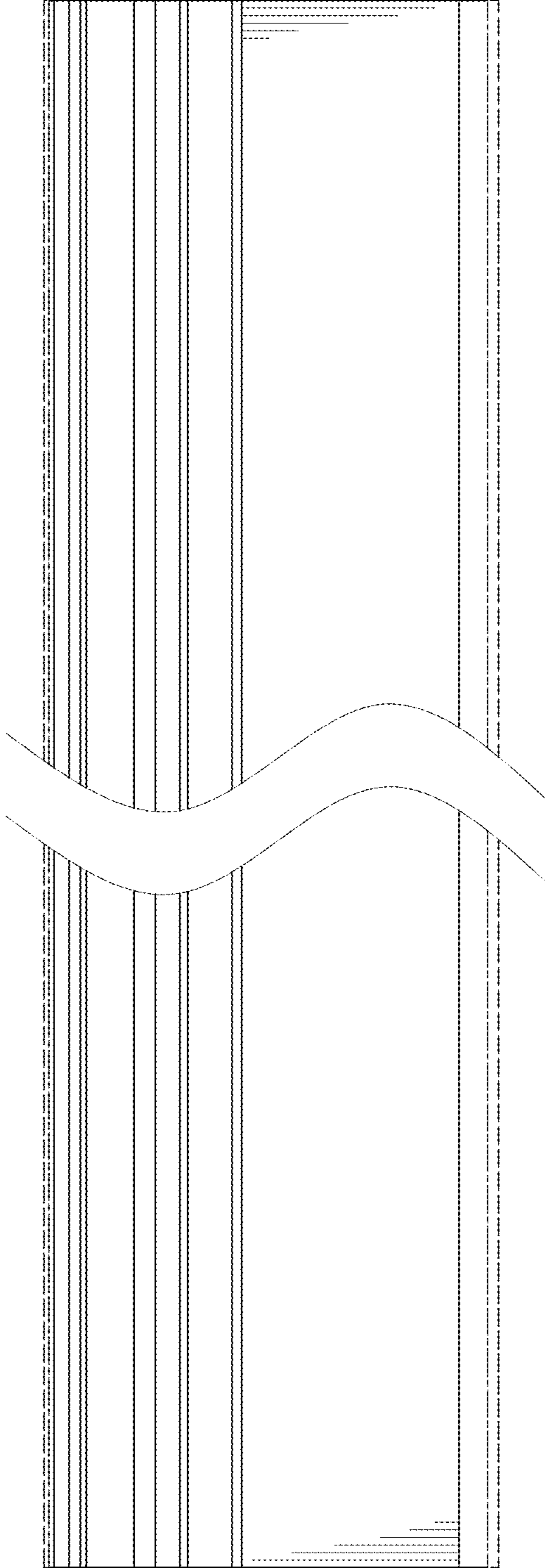


FIG. 5

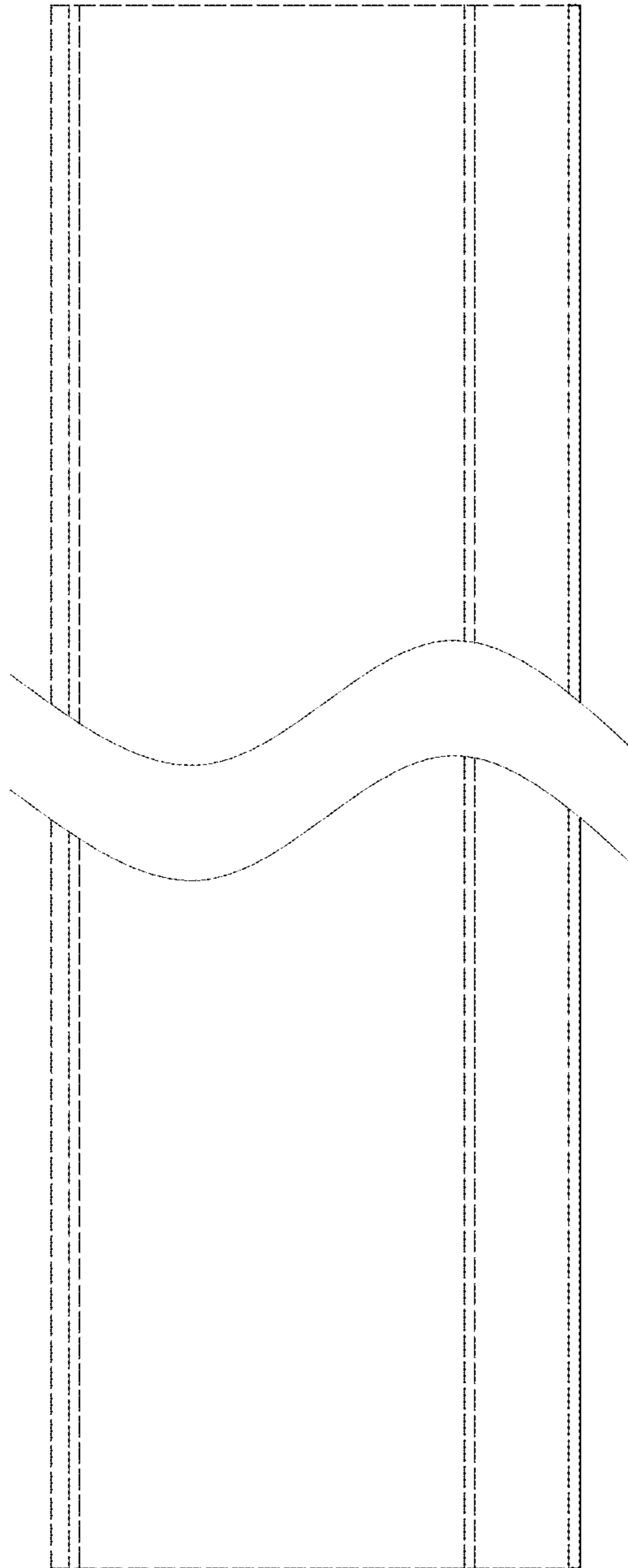


FIG. 6

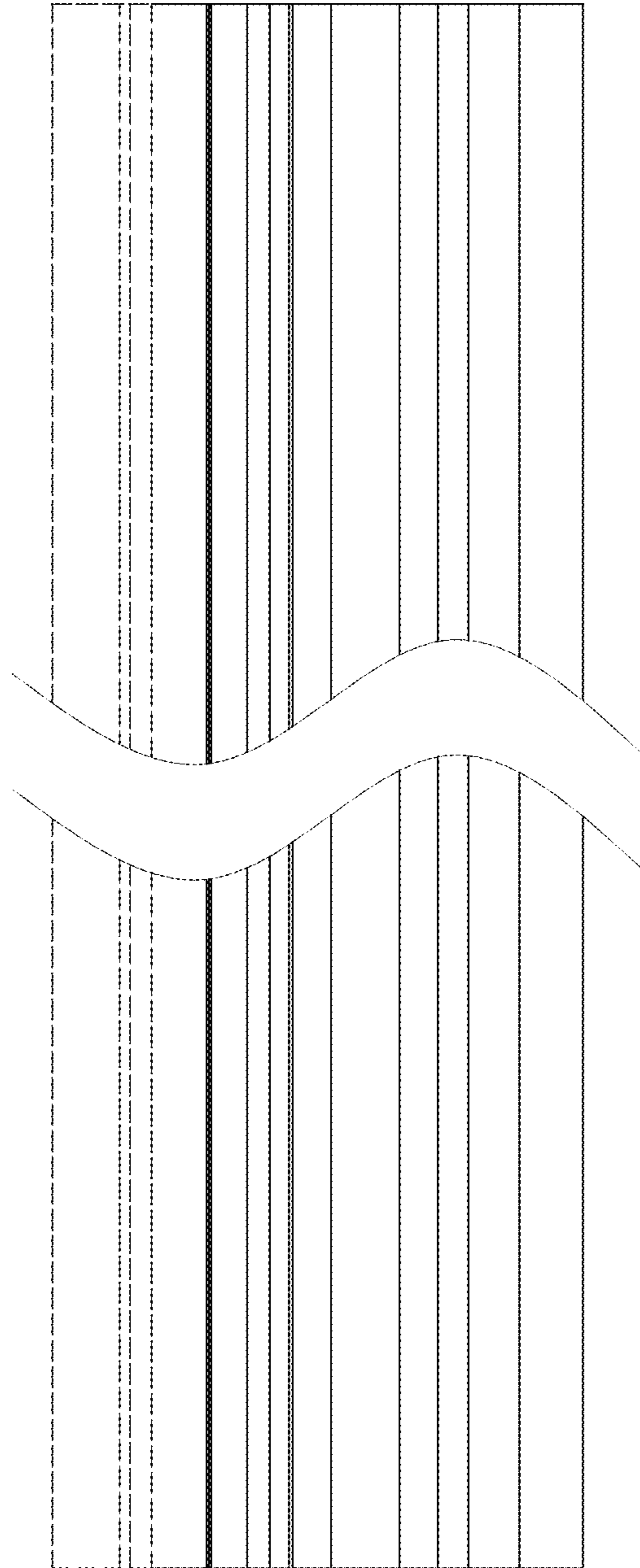


FIG. 7