

US00D822227S

(12) **United States Design Patent**
Schmiedel

(10) **Patent No.:** **US D822,227 S**
(45) **Date of Patent:** **** Jul. 3, 2018**

(54) **PORTABLE BUILDING**
(71) Applicant: **LTG LOFTS TO GO HOLDING LIMITED**, Floriana (MT)
(72) Inventor: **Mark Dare Schmiedel**, Hamburg (DE)
(73) Assignee: **LTG LOFTS TO GO HOLDING LIMITED**, Floriana (MT)

4,073,101 A * 2/1978 Yoshida E04B 1/3205
52/79.1
4,102,091 A * 7/1978 Farge E04B 1/34315
D25/1
D255,837 S * 7/1980 Leasure D25/18
D596,313 S * 7/2009 Perrine D25/1
2009/0266005 A1* 10/2009 Snel E04H 1/1205
52/79.1

* cited by examiner

(**) Term: **15 Years**

Primary Examiner — Susan Bennett Hattan

Assistant Examiner — Brett Miller

(21) Appl. No.: **29/587,190**

(74) *Attorney, Agent, or Firm* — Soroker Agmon

Nordman

(22) Filed: **Dec. 12, 2016**

(30) **Foreign Application Priority Data**

(57) **CLAIM**

Jun. 10, 2016 (DE) 40 2016 100 758

The ornamental design for a portable building, as shown and described.

(51) **LOC (11) Cl.** **25-03**

(52) **U.S. Cl.**
USPC **D25/18**

(58) **Field of Classification Search**
USPC D25/1, 3, 4, 5, 6, 14, 15, 17, 18, 20, 24,
D25/26, 32-33, 35, 56; 52/79.1
CPC E04H 1/00-1/1277
See application file for complete search history.

DESCRIPTION

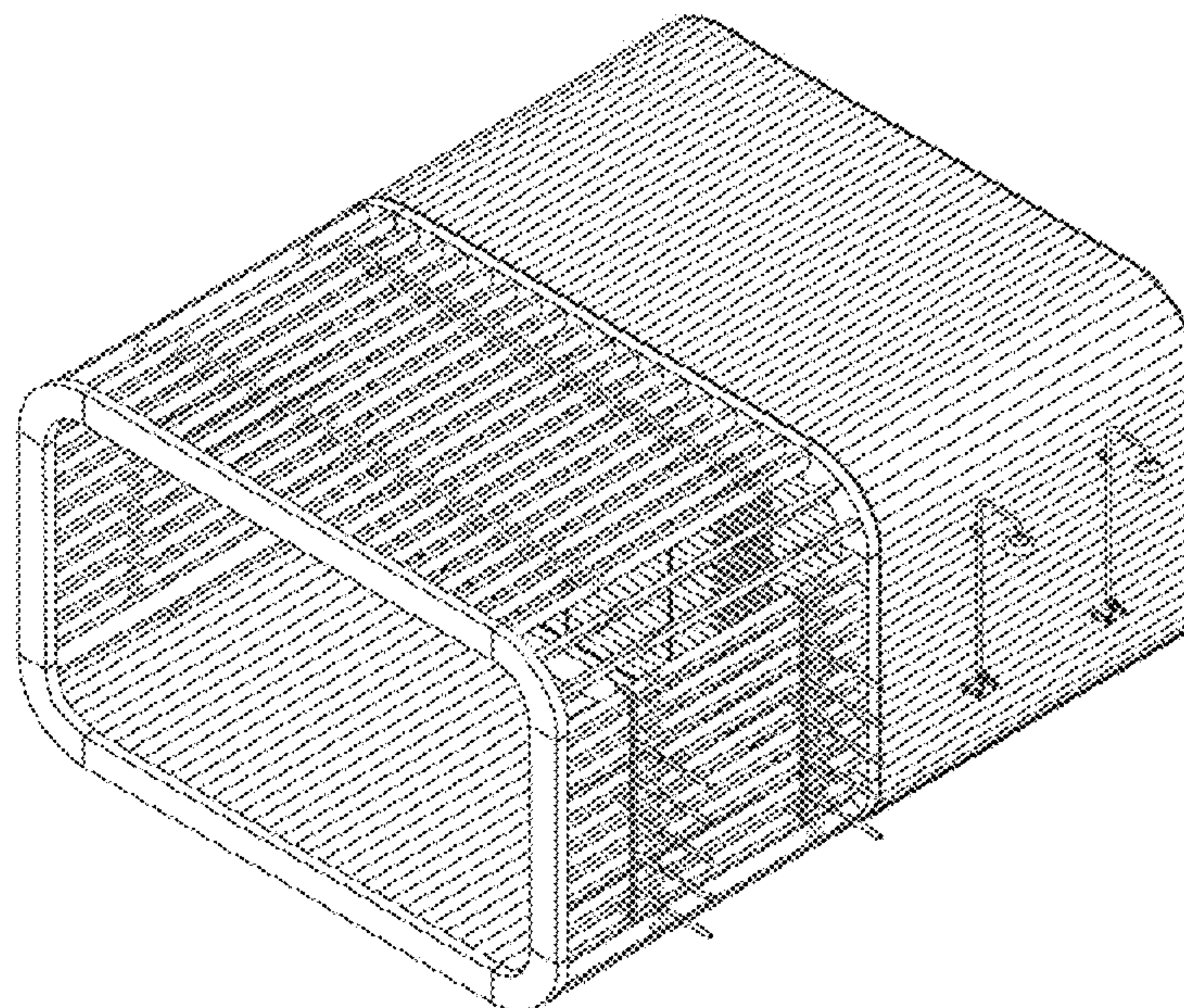
(56) **References Cited**

U.S. PATENT DOCUMENTS

3,730,796 A * 5/1973 Richards E04B 1/34853
D25/18
3,778,528 A * 12/1973 Heifetz H02G 3/00
D25/4
D235,203 S * 5/1975 Waldorf D25/24
D238,778 S * 2/1976 Watkins D25/26
D240,216 S * 6/1976 Suuronen D25/18
3,975,878 A * 8/1976 Modarelli, Jr. E04B 1/34846
52/79.1

FIG. 1 is a first perspective view of the portable building in my new design;
FIG. 2 is a second perspective view of the portable building with a front porch thereof;
FIG. 3 is a rear view of the portable building with windows thereof;
FIG. 4 is a front side view of the portable building with a front door thereof;
FIG. 5 is a left side view of the portable building with light lamps;
FIG. 6 is a right view of the portable building thereof; and,
FIG. 7 is a top view of the portable building thereof.
The broken lines depict portions of the portable building that form no part of the claimed design.

1 Claim, 4 Drawing Sheets



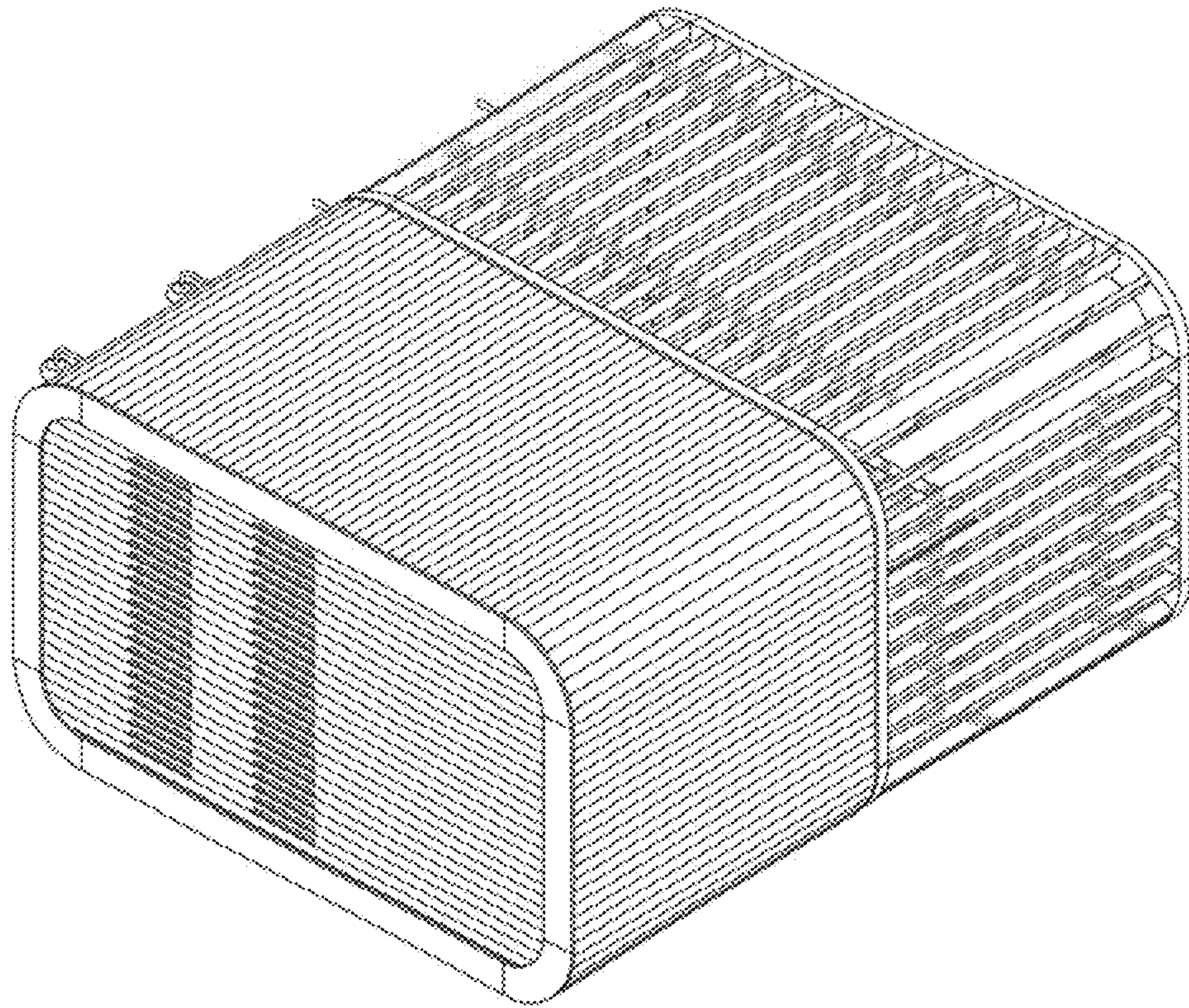


FIG. 1

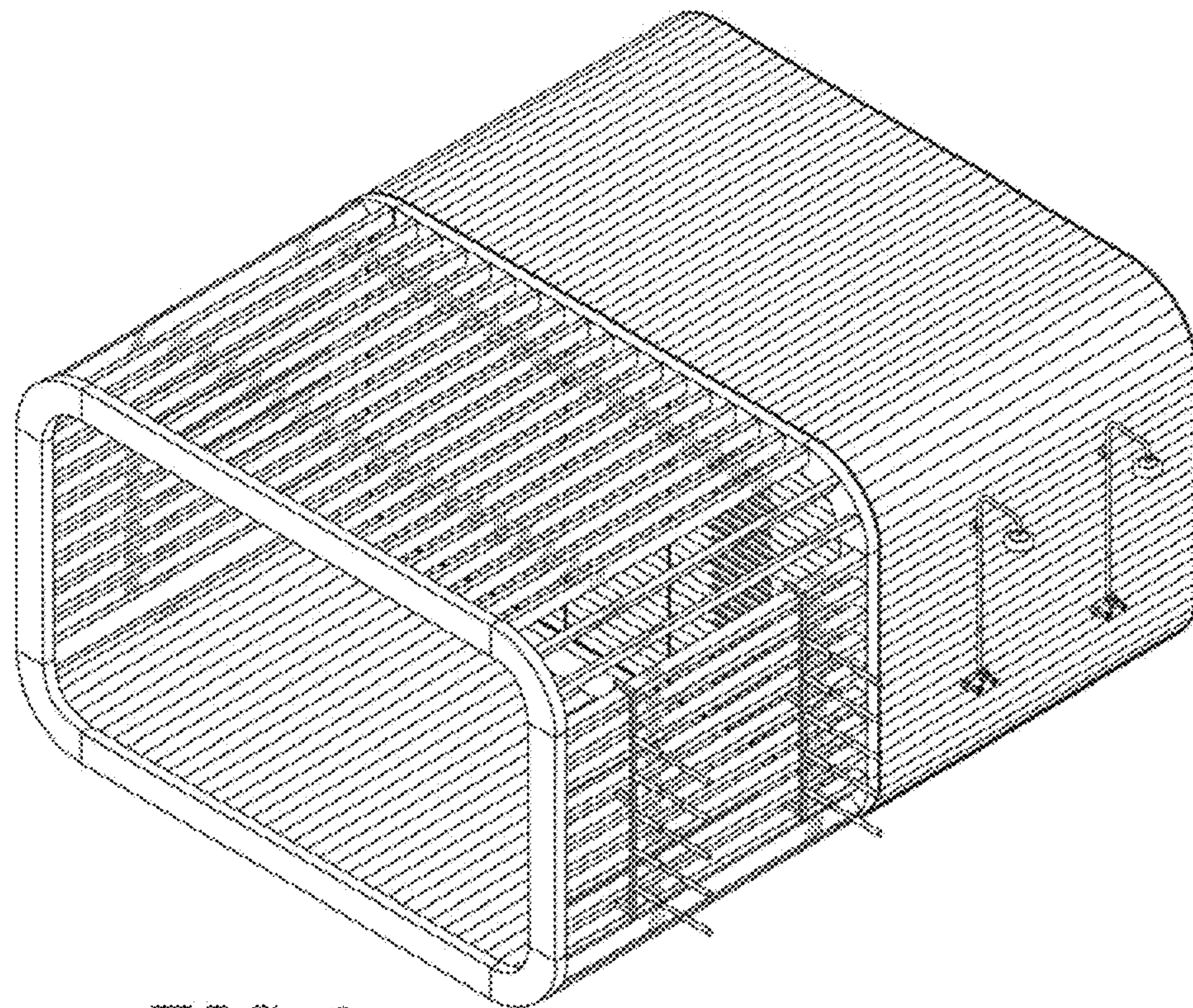


FIG. 2

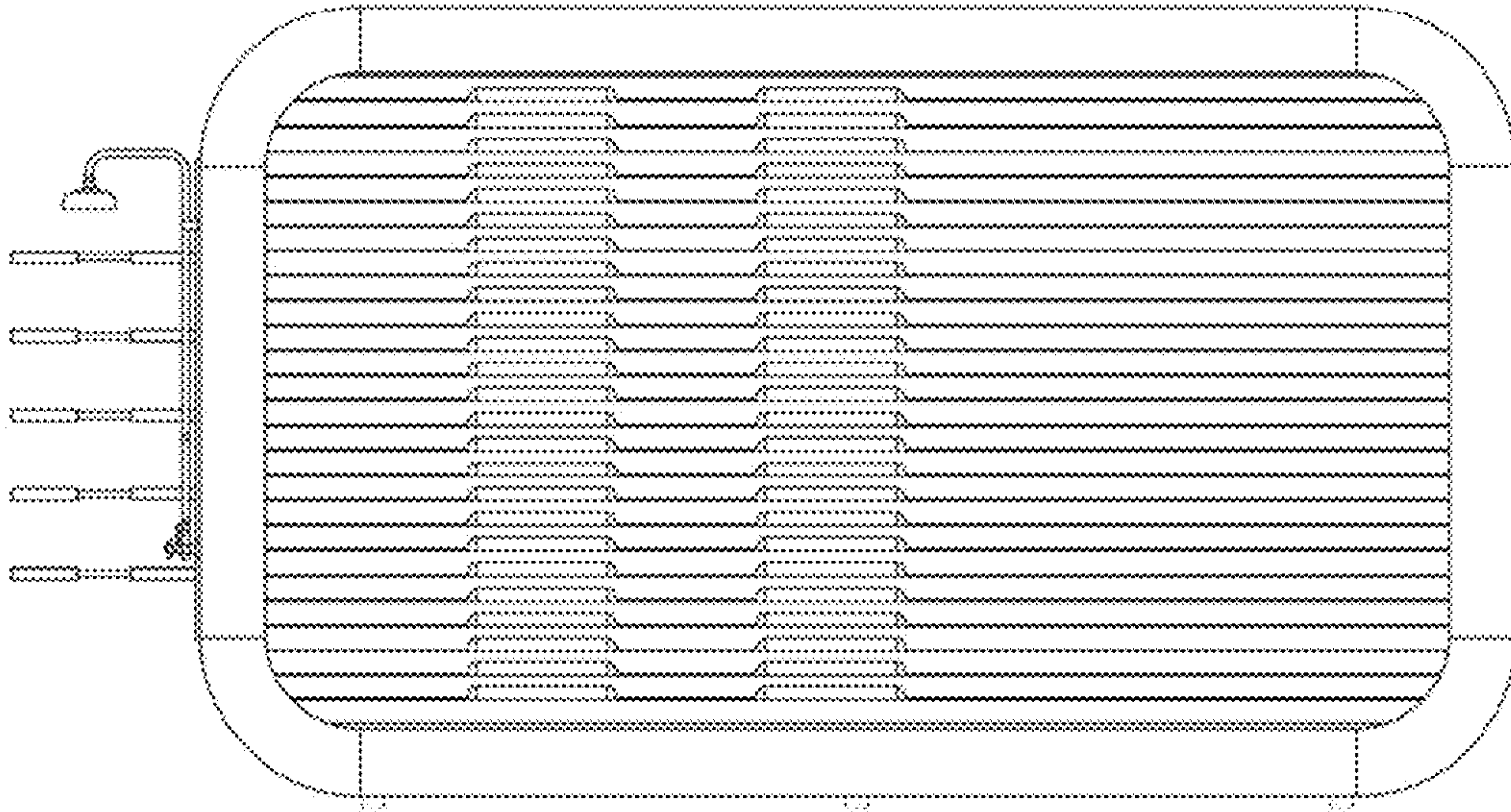


FIG. 3

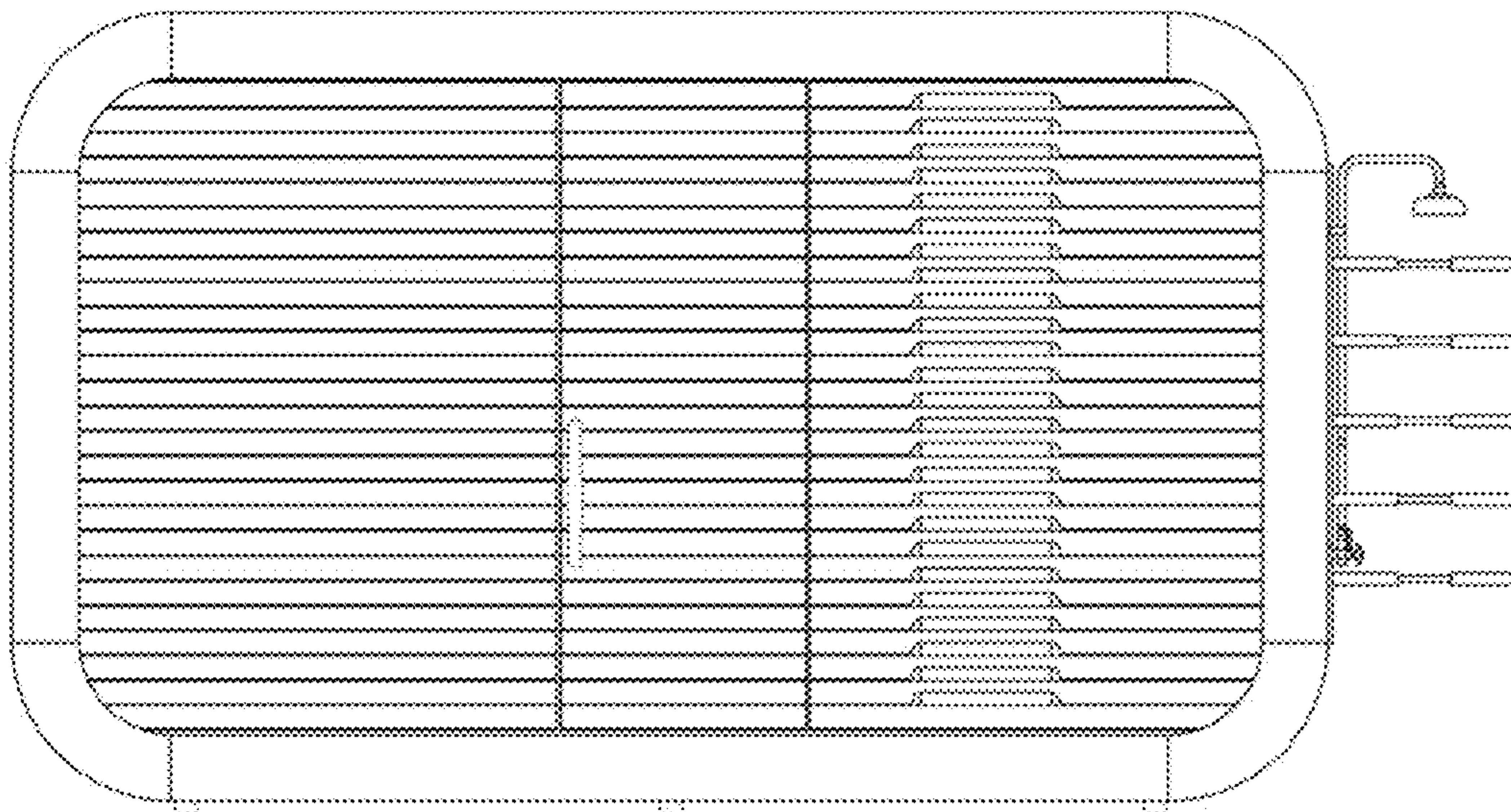


FIG. 4

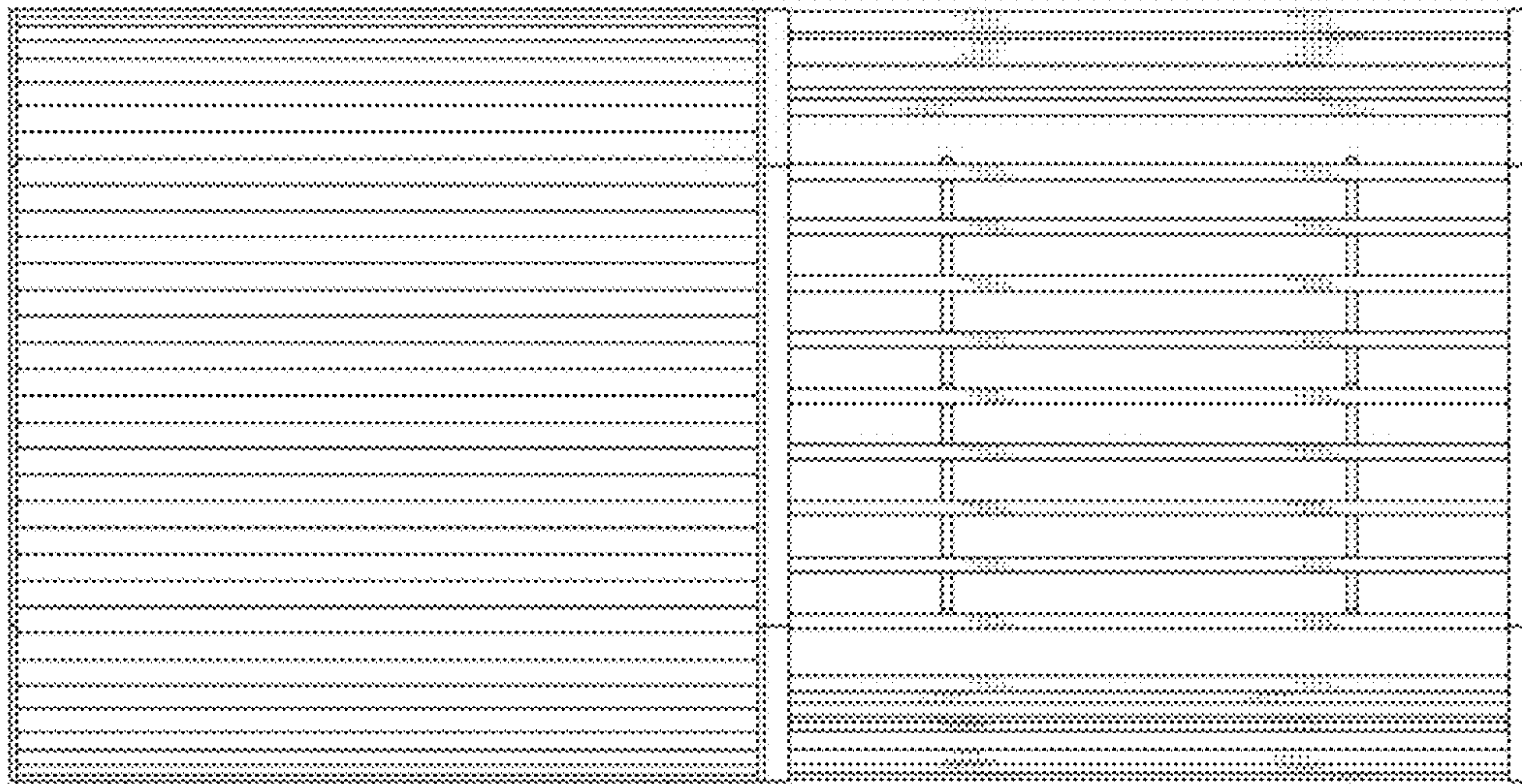


FIG. 5

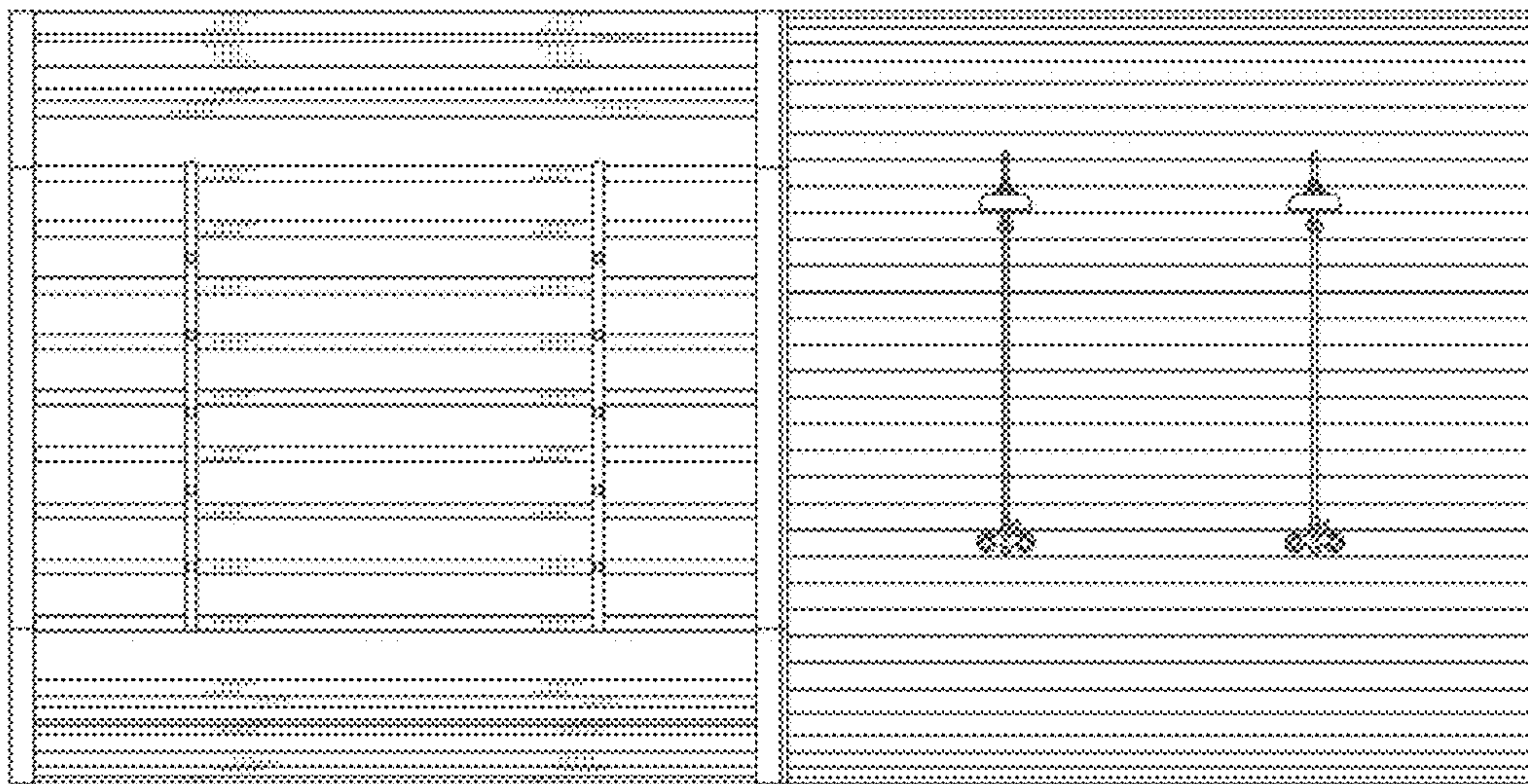


FIG. 6

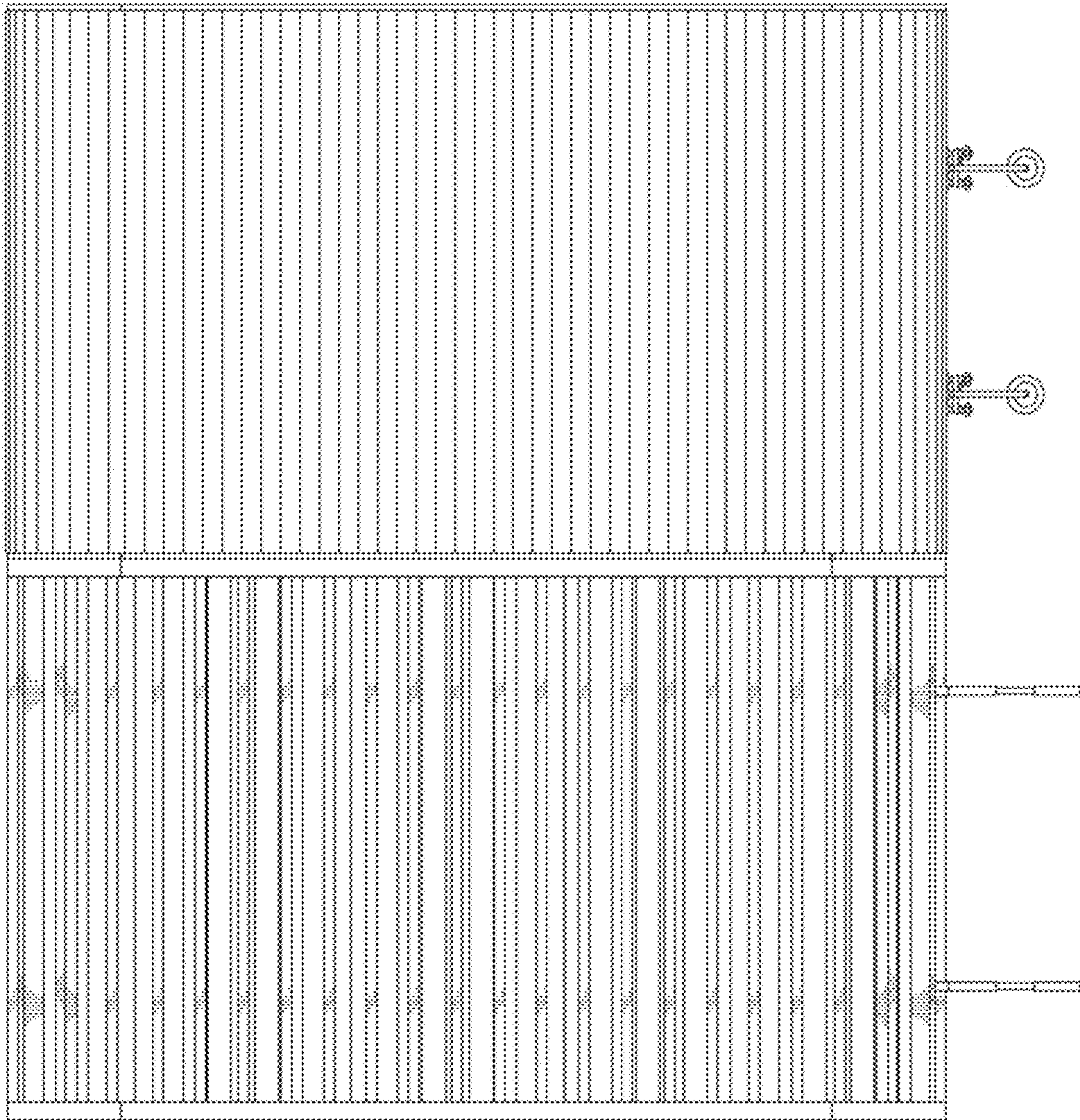


FIG. 7