



US00D822225S

(12) **United States Design Patent**
Moon et al.

(10) **Patent No.:** **US D822,225 S**
(45) **Date of Patent:** **** Jul. 3, 2018**

(54) **DEVICE FOR ANALYSIS OF BIOLOGICAL SAMPLE**

(71) Applicant: **Boditech Med Inc.**, Chuncheon-si, Gangwon-do (KR)

(72) Inventors: **Bong Suk Moon**, Chuncheon-si (KR); **Young Jin Oh**, Chuncheon-si (KR); **Yu Jin Park**, Chuncheon-si (KR)

(73) Assignee: **BODITECH MED INC.**, Chuncheon-si, Gangwon-Do (KR)

(**) Term: **15 Years**

(21) Appl. No.: **29/604,703**

(22) Filed: **May 19, 2017**

(30) **Foreign Application Priority Data**

Nov. 24, 2016 (KR) 30-2016-0056501

(51) **LOC (11) Cl.** **24-01**

(52) **U.S. Cl.**
USPC **D24/224**

(58) **Field of Classification Search**
USPC D24/121, 216, 219–221, 224–233;
D10/81
CPC .. B01L 3/502715; B01L 3/508; B01L 3/5085;
B01L 3/50855; B01L 3/52; B01L 3/523;
B01L 3/527; B01L 2200/16; B01L
2200/18
See application file for complete search history.

(56) **References Cited**

U.S. PATENT DOCUMENTS

D249,706 S * 9/1978 Adamski D24/230
D669,597 S * 10/2012 Cavada D24/216

D672,881 S * 12/2012 Kraihanzel D24/224
9,274,132 B2 * 3/2016 Wilson B01L 3/5085
2012/0115238 A1 * 5/2012 Akashi B01L 3/502
436/94
2013/0183769 A1 * 7/2013 Tajima G01N 35/00029
436/165
2014/0302611 A1 * 10/2014 Orning B01L 3/50855
436/71
2016/0291009 A1 * 10/2016 Kim B01L 3/5023

* cited by examiner

Primary Examiner — Anhdao Doan

(74) *Attorney, Agent, or Firm* — Rabin & Berdo, P.C.

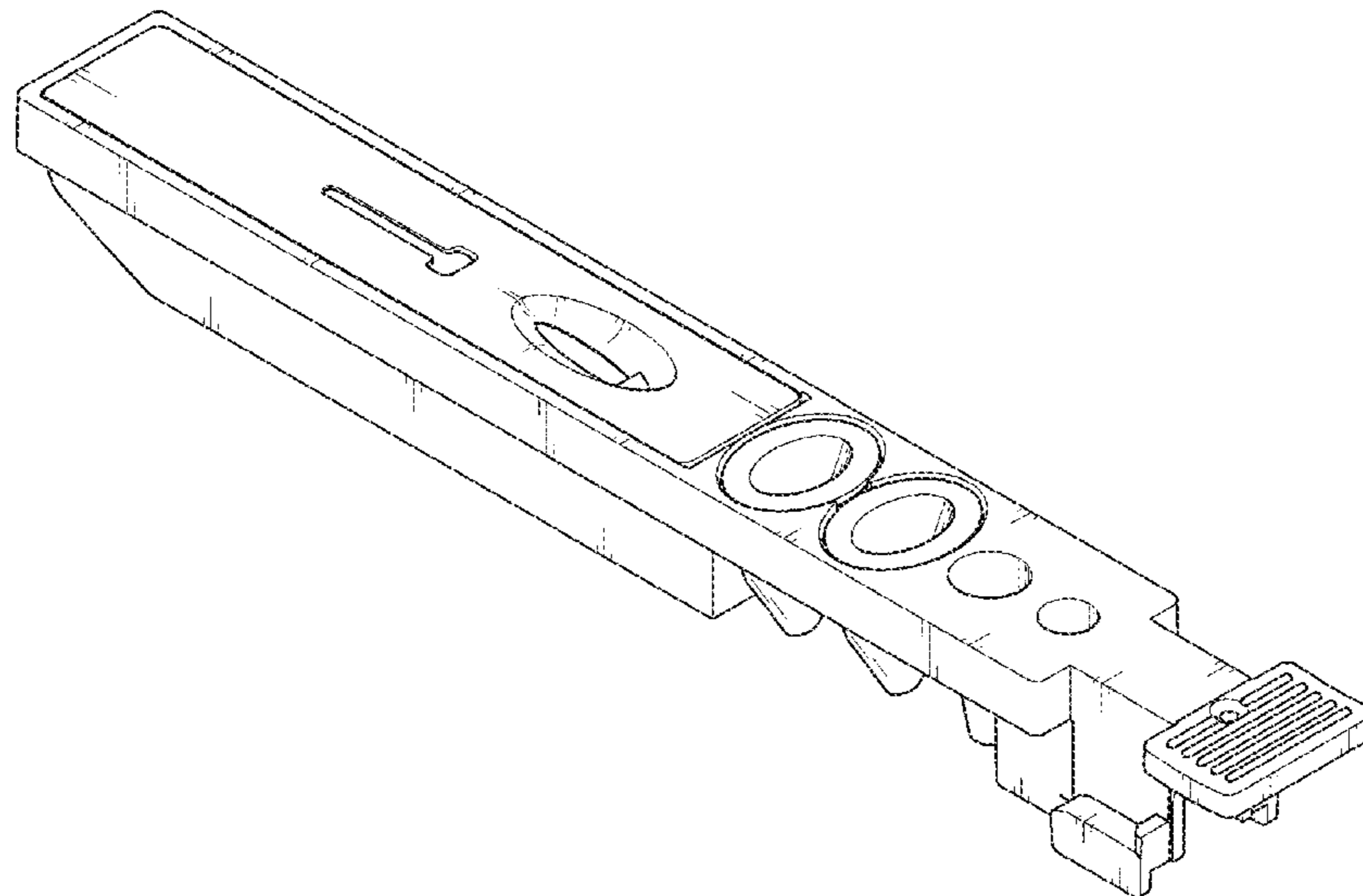
(57) **CLAIM**

The ornamental design for a device for analysis of biological sample, as shown and described.

DESCRIPTION

FIG. 1 is a top perspective view of a device for analysis of biological sample;
FIG. 2 is a front elevational view thereof;
FIG. 3 is a rear elevational view thereof;
FIG. 4 is a left side elevational view thereof;
FIG. 5 is a right side elevational view thereof;
FIG. 6 is a top plan view thereof;
FIG. 7 is a bottom plan view thereof;
FIG. 8 is an exploded top perspective view thereof, showing reagent tubes are detached from the device for analysis of biological sample; and
FIG. 9 is a bottom perspective view of the device for analysis of biological sample; and,
FIG. 10 is another bottom perspective view of the device for analysis of biological sample.
In FIG. 8, the broken lines connecting the centers of the separated reagent tubes are included to show the order of assembly and form no part of the claimed design.

1 Claim, 9 Drawing Sheets



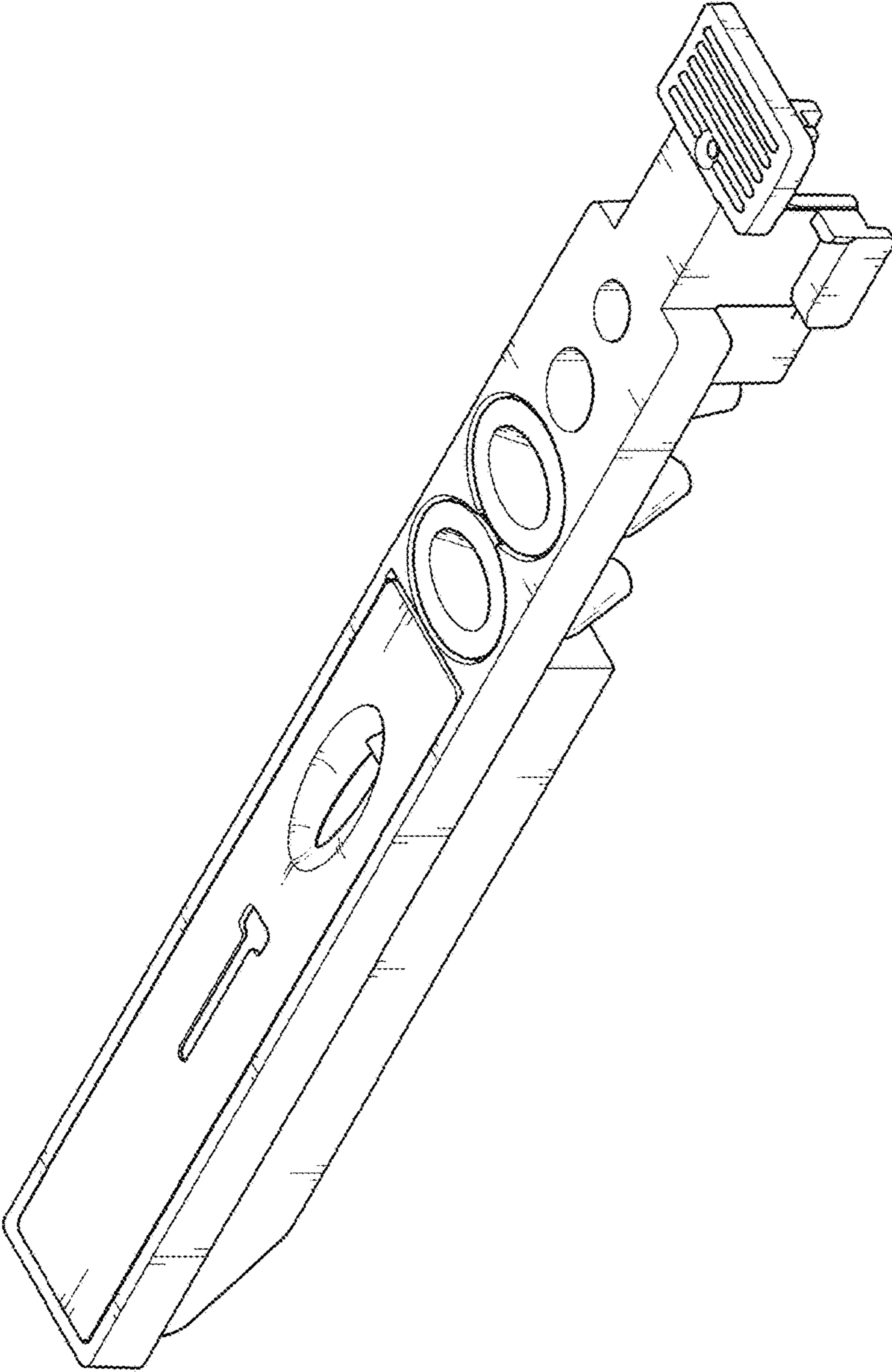


FIG. 1

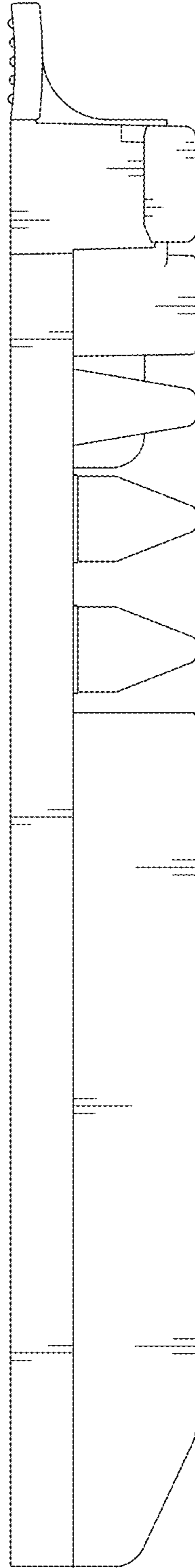


FIG. 2

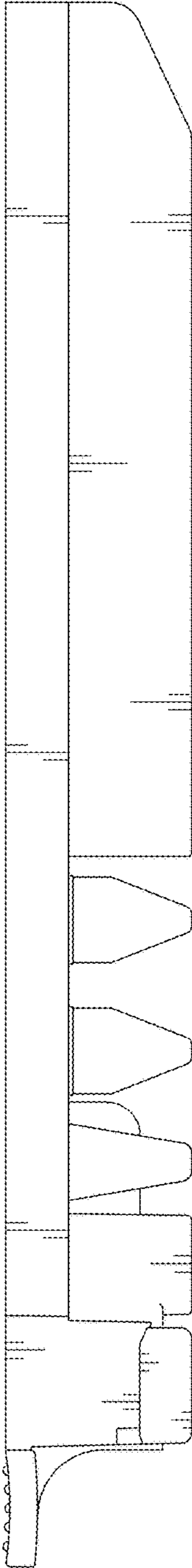


FIG. 3

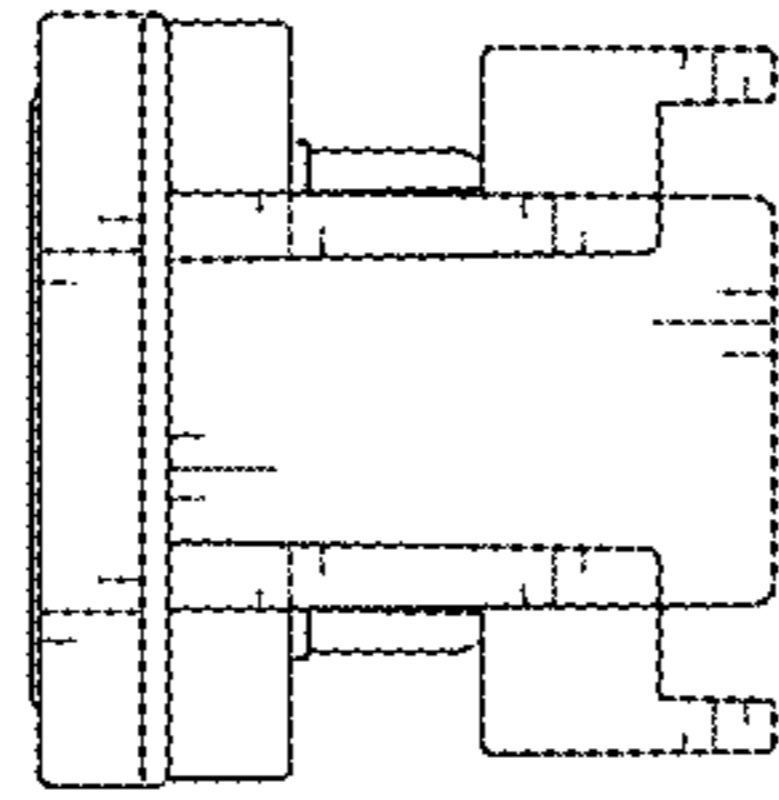


FIG. 5

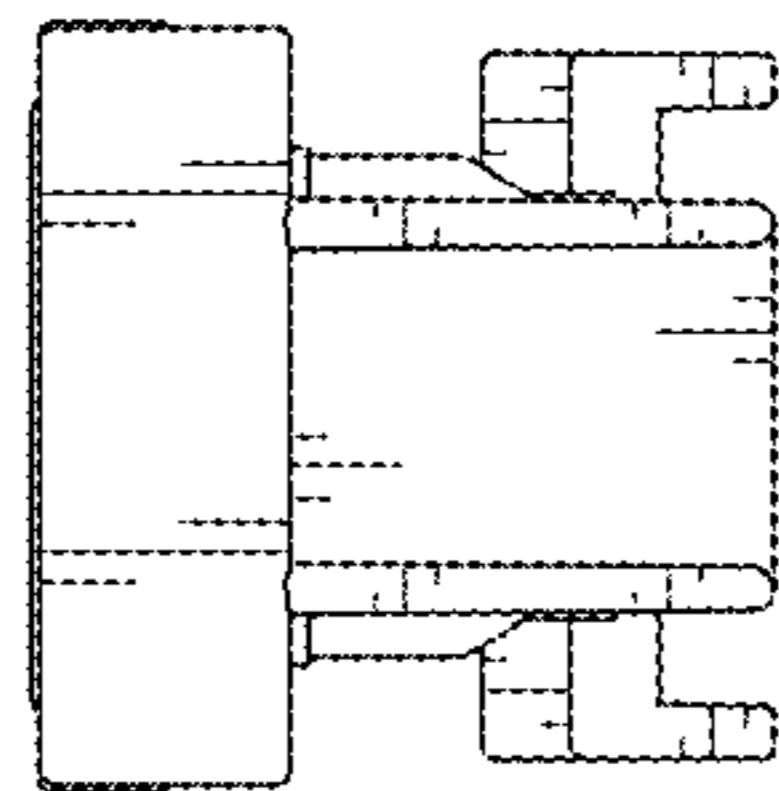


FIG. 4

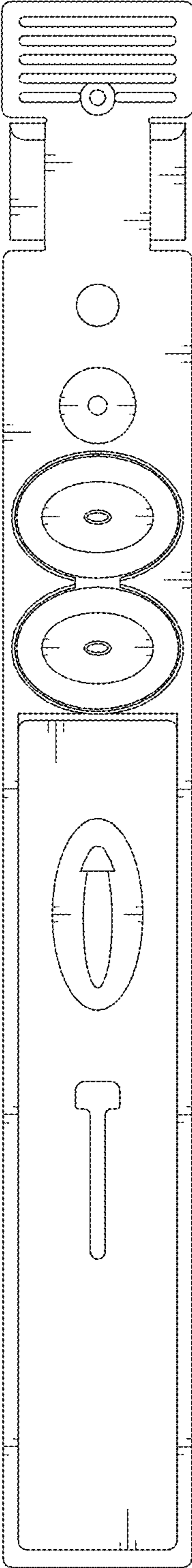


FIG. 6

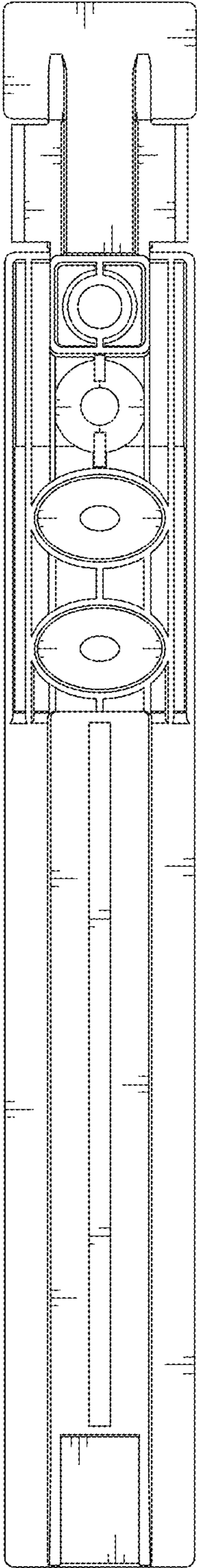


FIG. 7

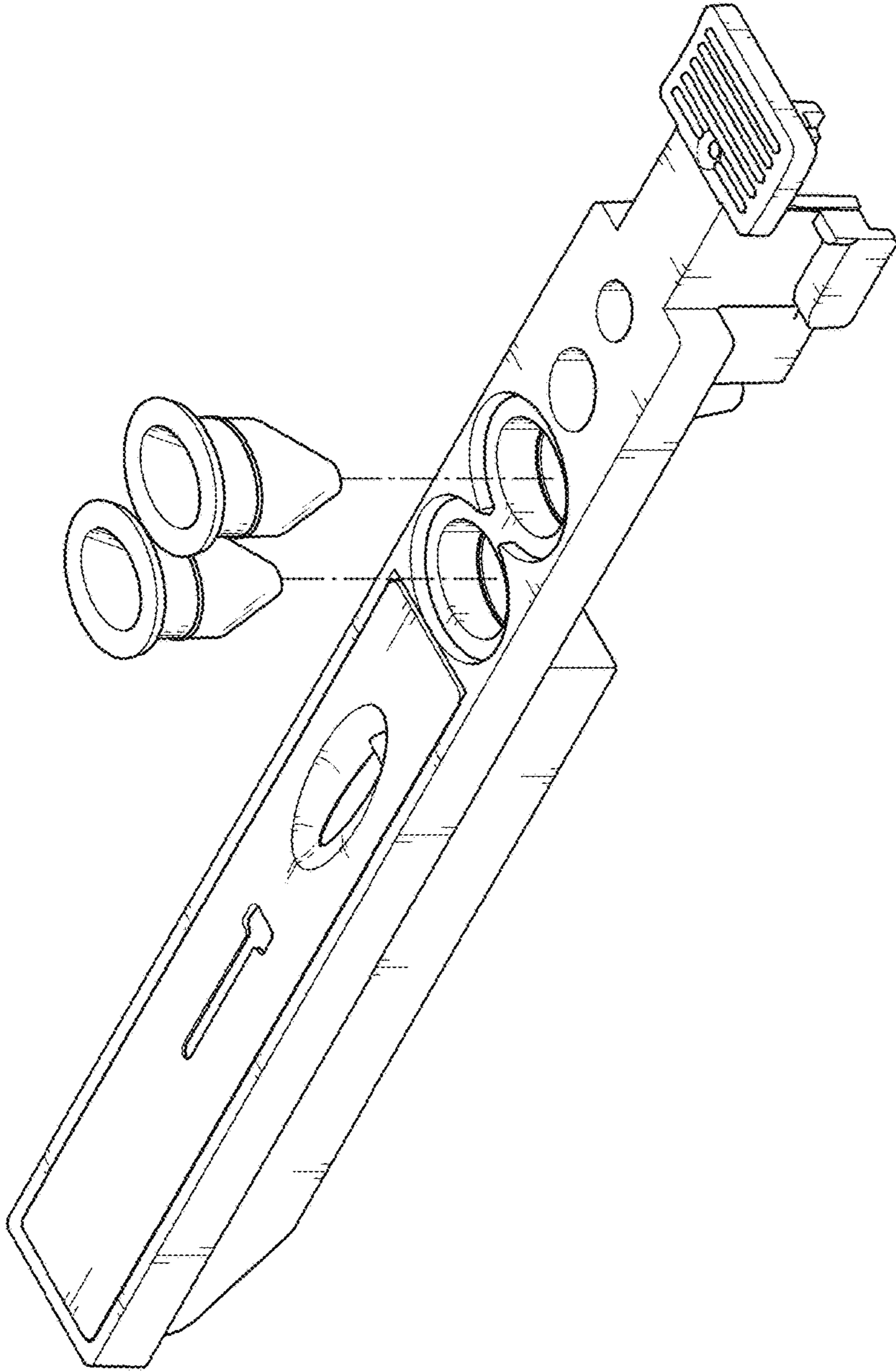


FIG. 8

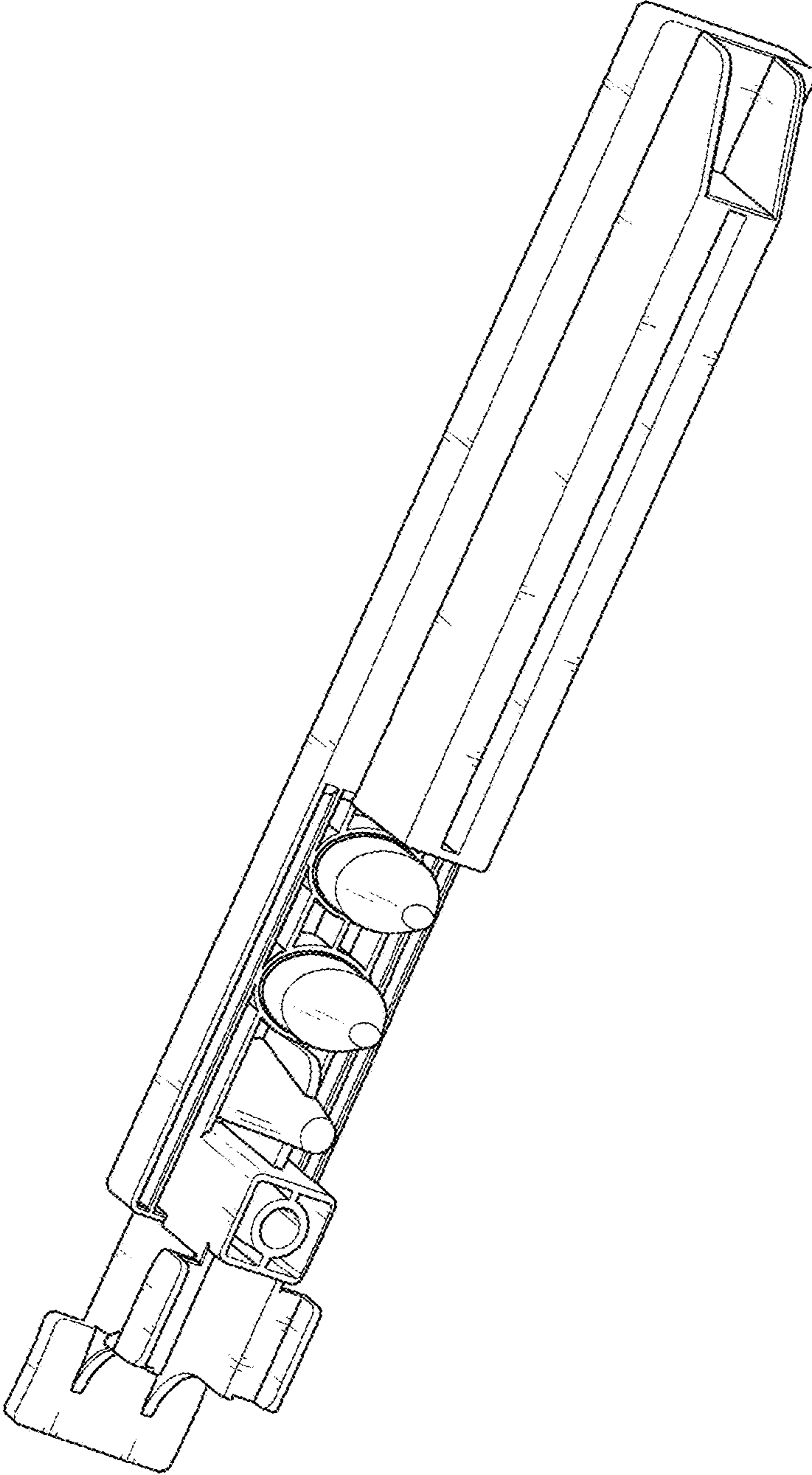


FIG. 9

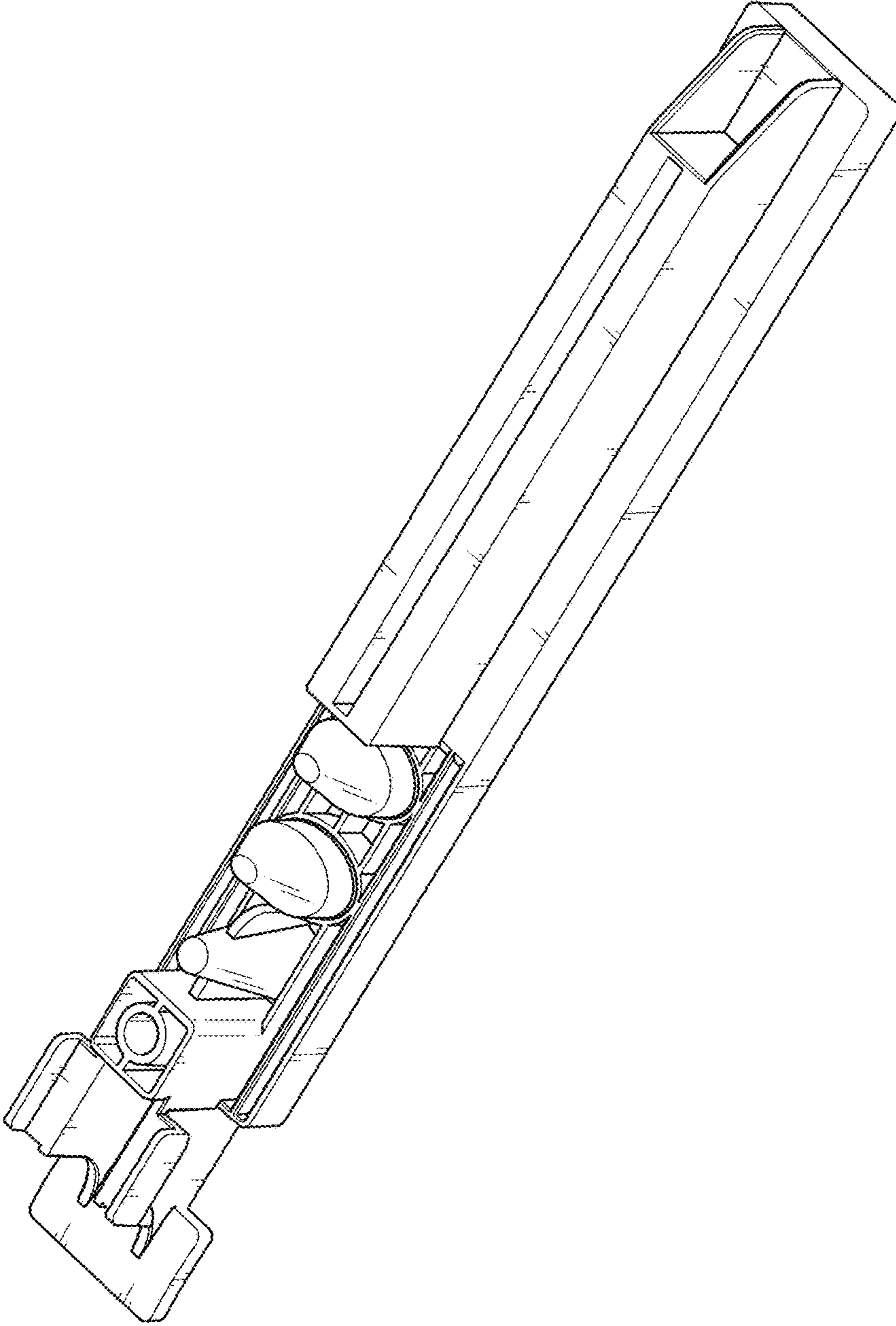


FIG. 10