



US00D822221S

(12) **United States Design Patent**  
**Huth et al.**

(10) **Patent No.:** **US D822,221 S**  
(45) **Date of Patent:** **\*\* Jul. 3, 2018**

(54) **THERAPEUTIC MASSAGE DEVICE**

(71) Applicant: **PRO PERFORMANCE SPORTS, L.L.C.**, Carlsbad, CA (US)

(72) Inventors: **Richard Huth**, Encinitas, CA (US);  
**Michael Cummings**, Carlsbad, CA (US); **Daniel John Wray**, Cardiff, CA (US)

(73) Assignee: **PRO PERFORMANCE SPORTS LLC**, Carlsbad, CA (US)

(\*\*) Term: **15 Years**

(21) Appl. No.: **29/579,140**

(22) Filed: **Sep. 28, 2016**

(51) **LOC (11) Cl.** ..... **28-03**

(52) **U.S. Cl.**  
USPC ..... **D24/211**

(58) **Field of Classification Search**  
USPC ..... D24/200, 211, 212, 213, 214, 215;  
601/19, 22, 27-32, 46, 52, 99, 112, 113,  
601/118, 125, 143, DIG. 12, DIG. 14,  
601/DIG. 15, DIG. 16, DIG. 17; D2/627,  
D2/629, 633, 638  
CPC ..... A61H 1/0266; A61H 2015/0007; A61H  
2015/0014; A61H 2015/0042; A61H  
2015/0035; A61H 15/00; A61H 7/003;  
A61H 7/005; A61H 7/00; A61H  
2001/027; A61H 11/00; A61H 19/00;  
A61H 19/30; A61H 19/32; A61H 19/34;  
A61H 19/40; A61H 19/44; A61H 19/50;  
A61H 21/00

See application file for complete search history.

(56) **References Cited**

U.S. PATENT DOCUMENTS

754,925 A \* 3/1904 Zar-Adusht-Hanish .....  
A61H 15/0092  
601/131  
2,028,865 A \* 1/1936 Forsyth ..... A61H 15/0092  
601/143

2,510,399 A \* 6/1950 Harris ..... A61H 15/0092  
601/131  
2,797,685 A \* 7/1957 Packwood ..... A61H 15/0092  
401/212  
3,960,144 A \* 6/1976 Simjian ..... A61H 11/00  
601/132  
3,996,929 A \* 12/1976 Mabuchi ..... A61H 15/0078  
601/124

(Continued)

FOREIGN PATENT DOCUMENTS

WO 199718759 A1 5/1997  
WO 2008051640 A1 5/2008

(Continued)

*Primary Examiner* — Sandra Snapp

(74) *Attorney, Agent, or Firm* — Bass Patent Law, LLC

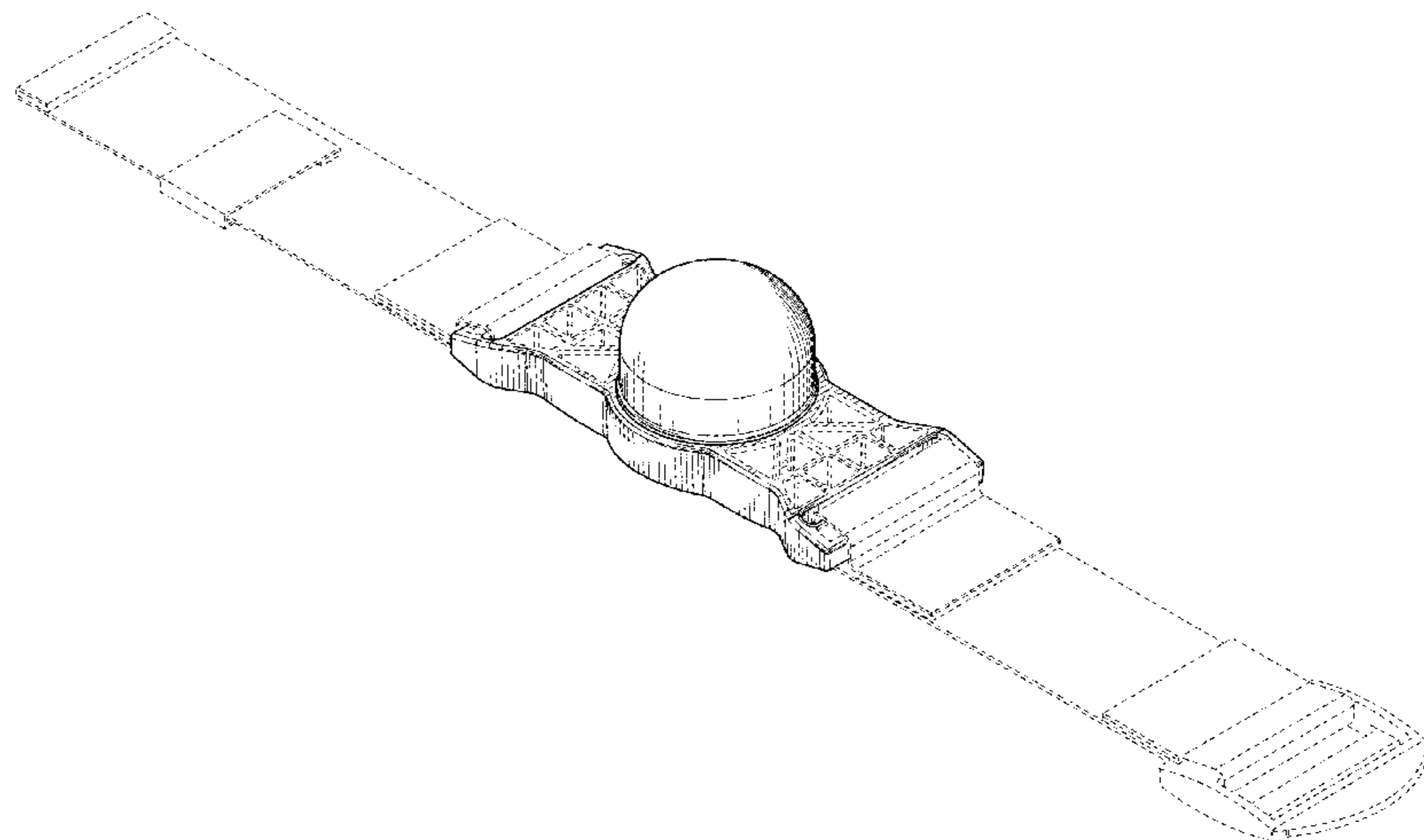
(57) **CLAIM**

The ornamental design for a therapeutic massage device, as shown and described.

**DESCRIPTION**

FIG. 1 is a top perspective view of a design for a therapeutic massage device;  
FIG. 2 is a bottom perspective view thereof;  
FIG. 3 is a left side view thereof;  
FIG. 4 is a right side view thereof;  
FIG. 5 is a front view thereof;  
FIG. 6 is a rear view thereof;  
FIG. 7 is a top view thereof;  
FIG. 8 is a bottom view thereof;  
FIG. 9 is a top perspective view of the design shown in a condition of use; and,  
FIG. 10 is a bottom perspective view of the design shown in a condition of use.  
The broken lines showing portions of the design are for illustrative purposes only and form no part of the claimed design.

**1 Claim, 7 Drawing Sheets**



(56)

References Cited

U.S. PATENT DOCUMENTS

D247,312 S \* 2/1978 Zeiss ..... D24/215  
 D250,835 S \* 1/1979 Grube ..... D24/215  
 4,159,020 A \* 6/1979 von Soiron ..... A61H 11/00  
 128/99.1  
 D253,790 S \* 12/1979 Grube ..... D24/215  
 4,182,338 A 1/1980 Stanulis  
 4,243,028 A 1/1981 Puyana  
 4,308,861 A 1/1982 Kelly  
 4,323,232 A 4/1982 Terpening  
 4,377,159 A 3/1983 Hansen  
 D274,557 S 7/1984 Griffith, III  
 4,479,495 A 10/1984 Isaacson  
 4,716,898 A \* 1/1988 Chauve ..... A61H 39/04  
 601/134  
 4,997,438 A 3/1991 Nipper  
 5,078,728 A 1/1992 Giarratano  
 5,096,188 A \* 3/1992 Shen ..... A61H 7/001  
 482/51  
 5,165,402 A 11/1992 McCoy  
 5,295,996 A 3/1994 Blair  
 5,374,238 A \* 12/1994 Xiao ..... A61H 23/0218  
 601/46  
 D356,433 S 3/1995 Humphrey  
 D363,554 S \* 10/1995 Psaros ..... D24/200  
 5,512,056 A 4/1996 Stevens et al.  
 D378,539 S \* 3/1997 Scott ..... D24/211  
 5,695,520 A 12/1997 Bruckner et al.  
 D389,585 S \* 1/1998 Leventhal ..... D24/200  
 D403,076 S \* 12/1998 York ..... D24/214  
 D412,365 S \* 7/1999 Szabo ..... D24/200  
 6,093,159 A \* 7/2000 Racoosin ..... A61H 15/0092  
 601/118  
 6,189,538 B1 2/2001 Thorpe

6,238,413 B1 5/2001 Wexler  
 D454,644 S \* 3/2002 York ..... D24/214  
 D469,880 S \* 2/2003 York ..... D24/214  
 6,752,820 B1 6/2004 Hafemann  
 D502,264 S \* 2/2005 Timmer ..... D24/211  
 D507,057 S \* 7/2005 Timmer ..... D24/211  
 D535,752 S \* 1/2007 Smith ..... D24/214  
 D545,443 S \* 6/2007 Ng ..... D24/200  
 7,364,558 B2 4/2008 Weaver, II et al.  
 D597,676 S \* 8/2009 Copeland ..... D24/187  
 7,621,858 B2 \* 11/2009 Sheron ..... A63B 21/0618  
 482/129  
 D605,778 S \* 12/2009 Moon ..... D24/211  
 D617,467 S \* 6/2010 Dworzan ..... D24/211  
 D691,279 S \* 10/2013 Hane-Karr ..... D24/211  
 8,628,488 B2 1/2014 Serola  
 D708,345 S \* 7/2014 Brady ..... D24/200  
 8,821,425 B2 9/2014 Cox  
 D754,355 S \* 4/2016 Ganapathy ..... D24/186  
 D762,309 S \* 7/2016 Cohen ..... D24/211  
 D806,889 S \* 1/2018 Holland ..... D24/211  
 2008/0289623 A1 \* 11/2008 Lee ..... A61F 5/0193  
 128/96.1  
 2011/0015708 A1 \* 1/2011 Lee ..... A61F 5/0193  
 607/112  
 2015/0011921 A1 \* 1/2015 Sidhu ..... A61H 7/001  
 601/134  
 2015/0223970 A1 \* 8/2015 Holland ..... A61F 7/10  
 601/19

FOREIGN PATENT DOCUMENTS

WO 2011031004 A2 3/2011  
 WO 2014037960 A1 3/2014

\* cited by examiner

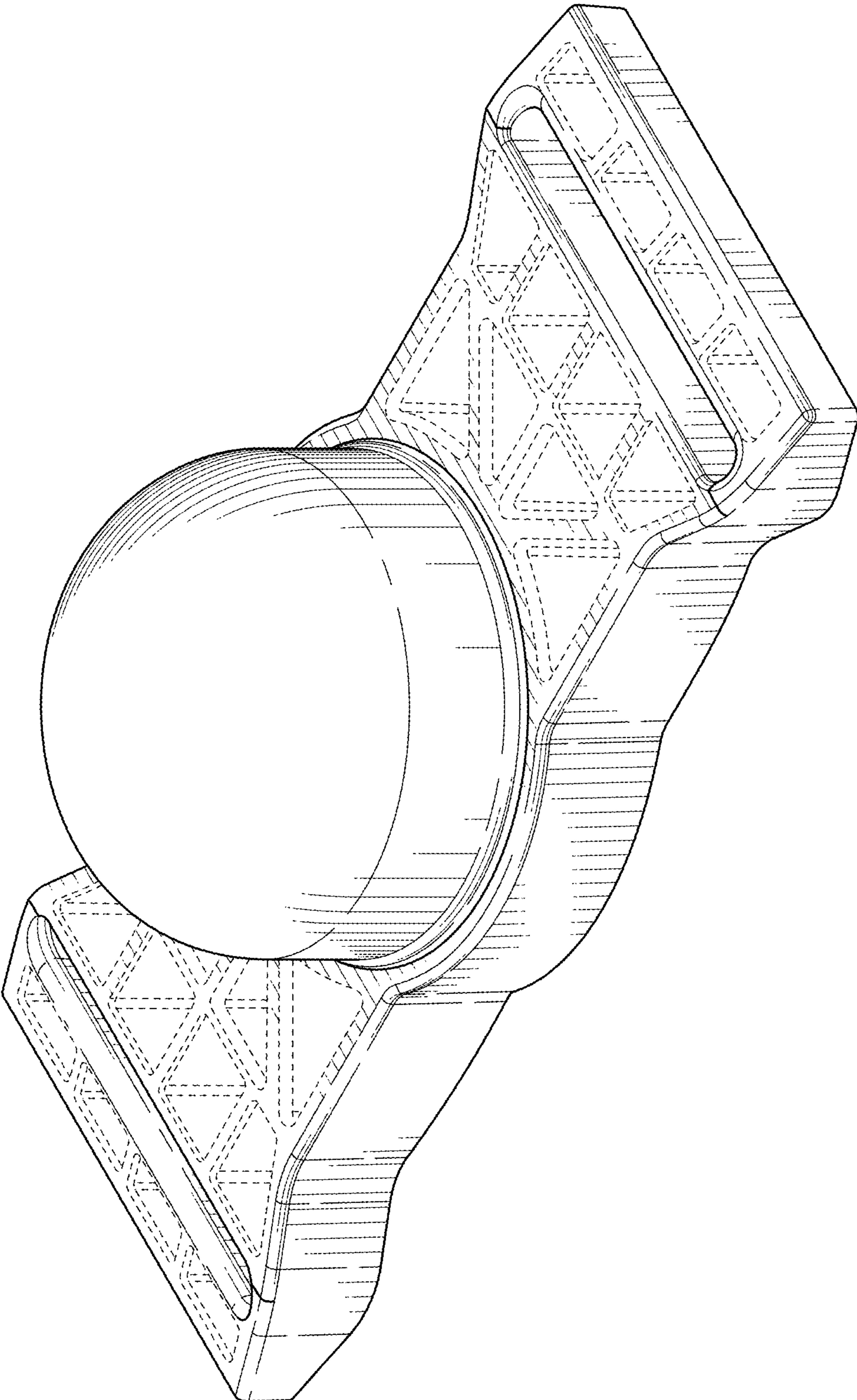


FIG. 1

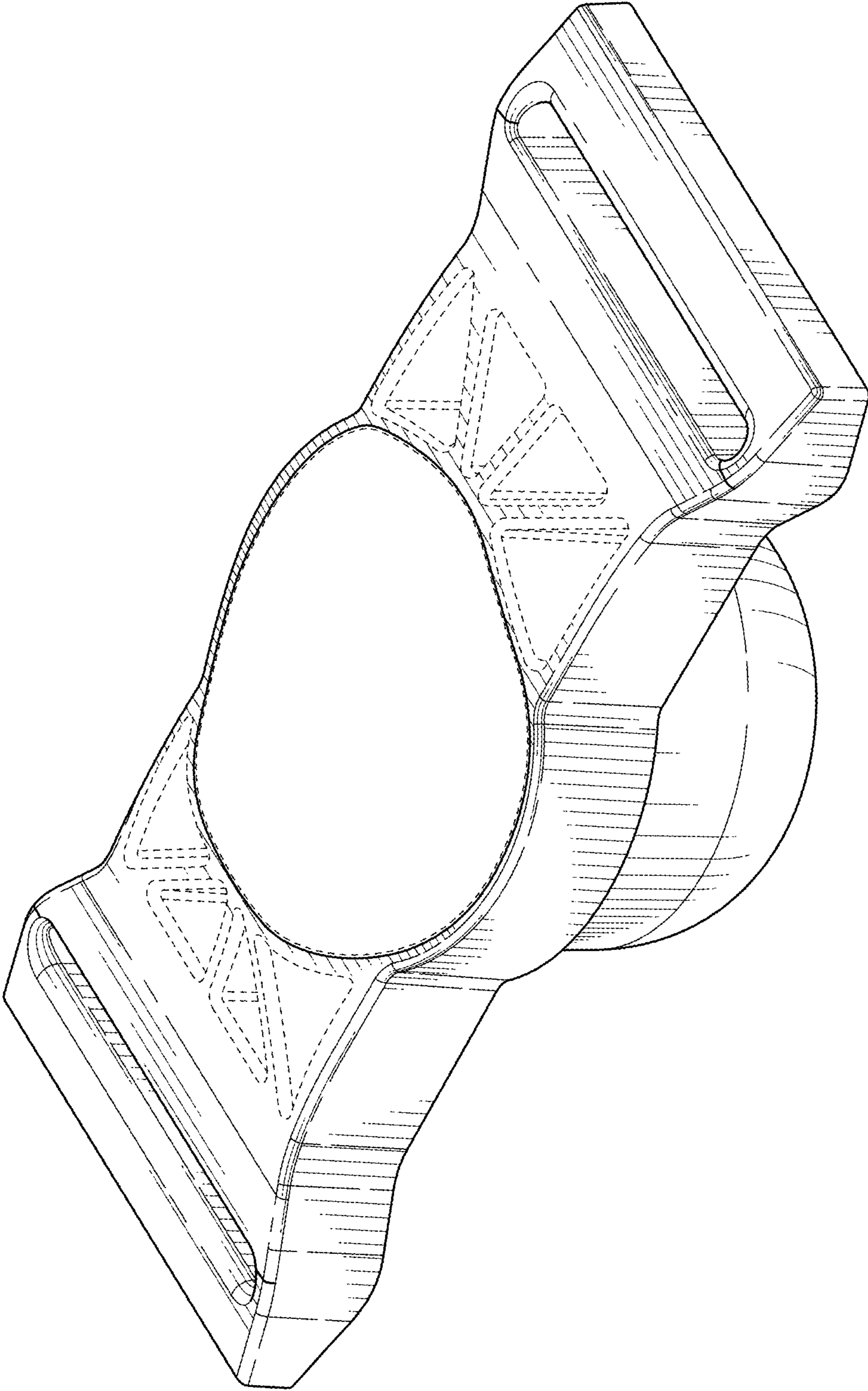


FIG. 2

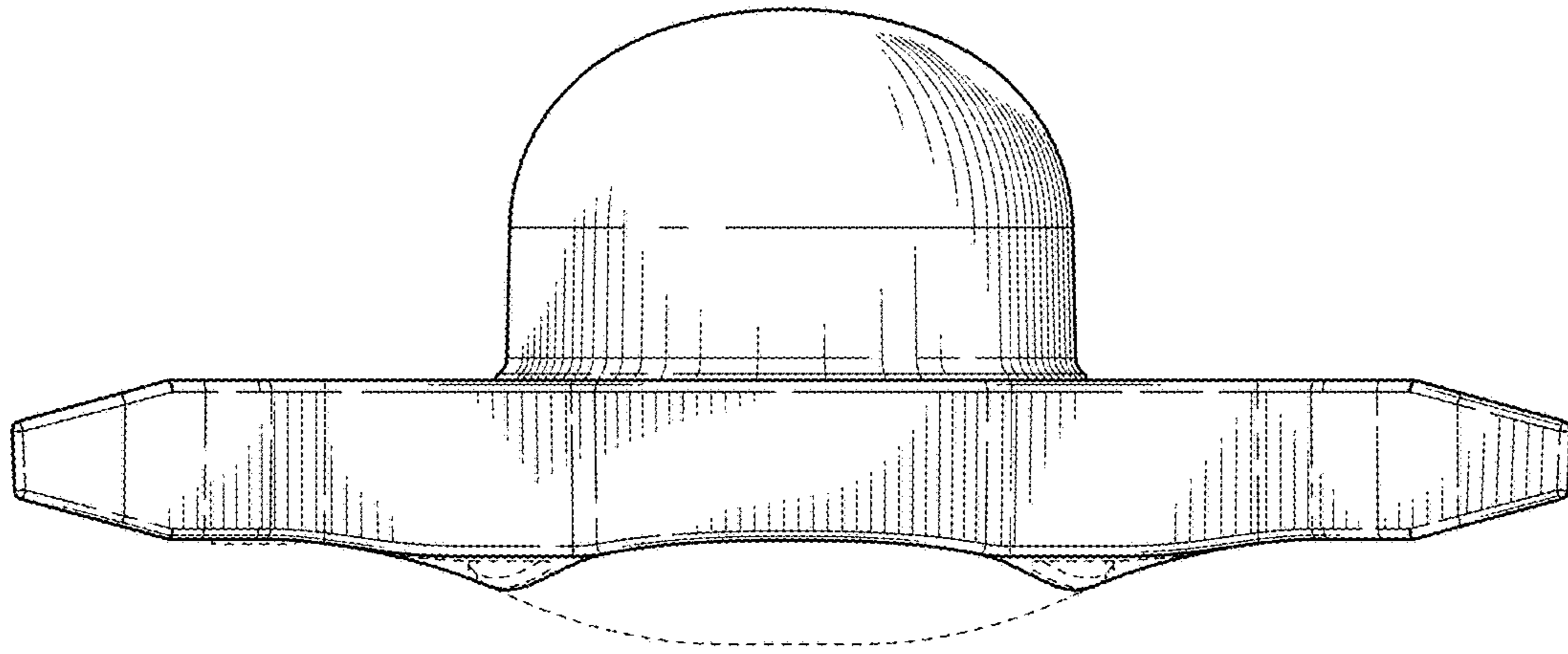


FIG. 3

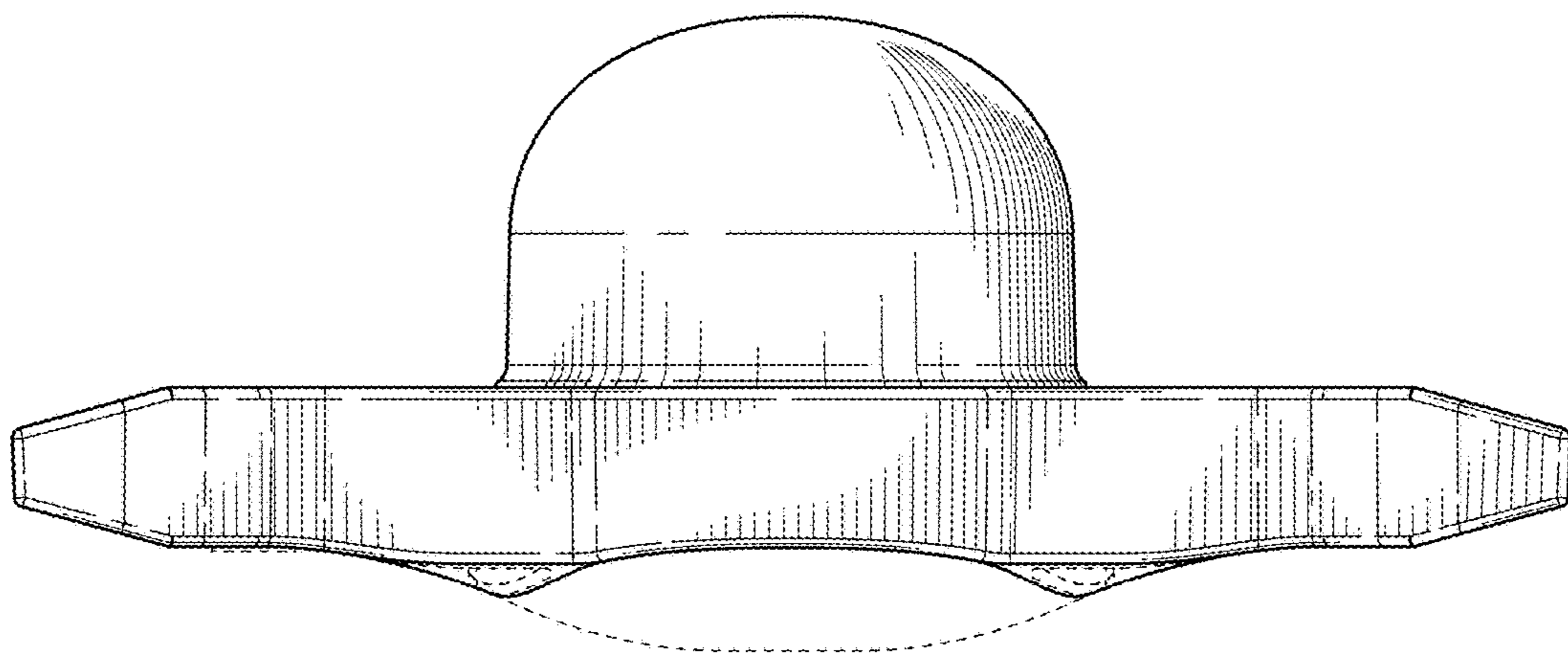


FIG. 4

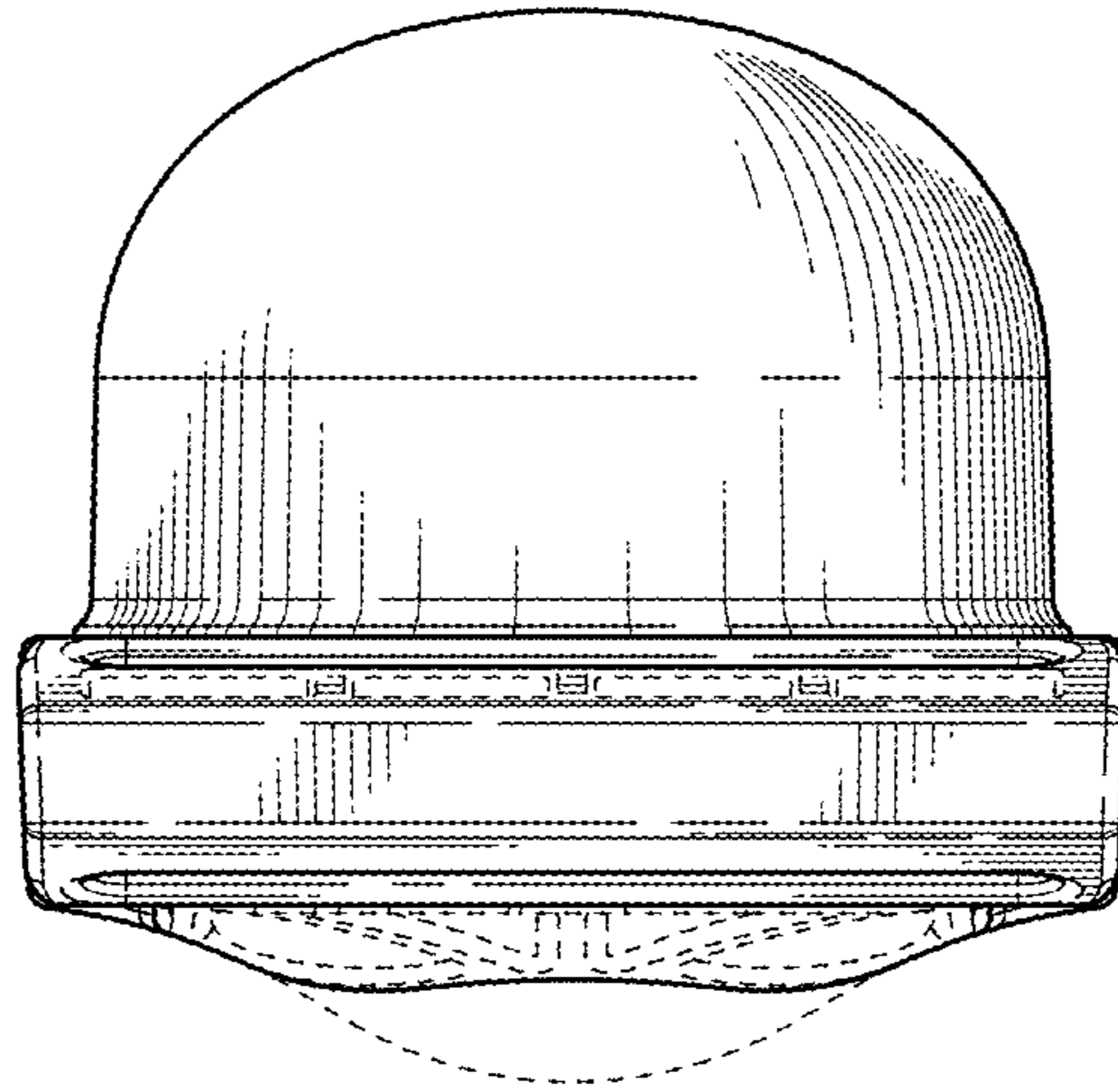


FIG. 5

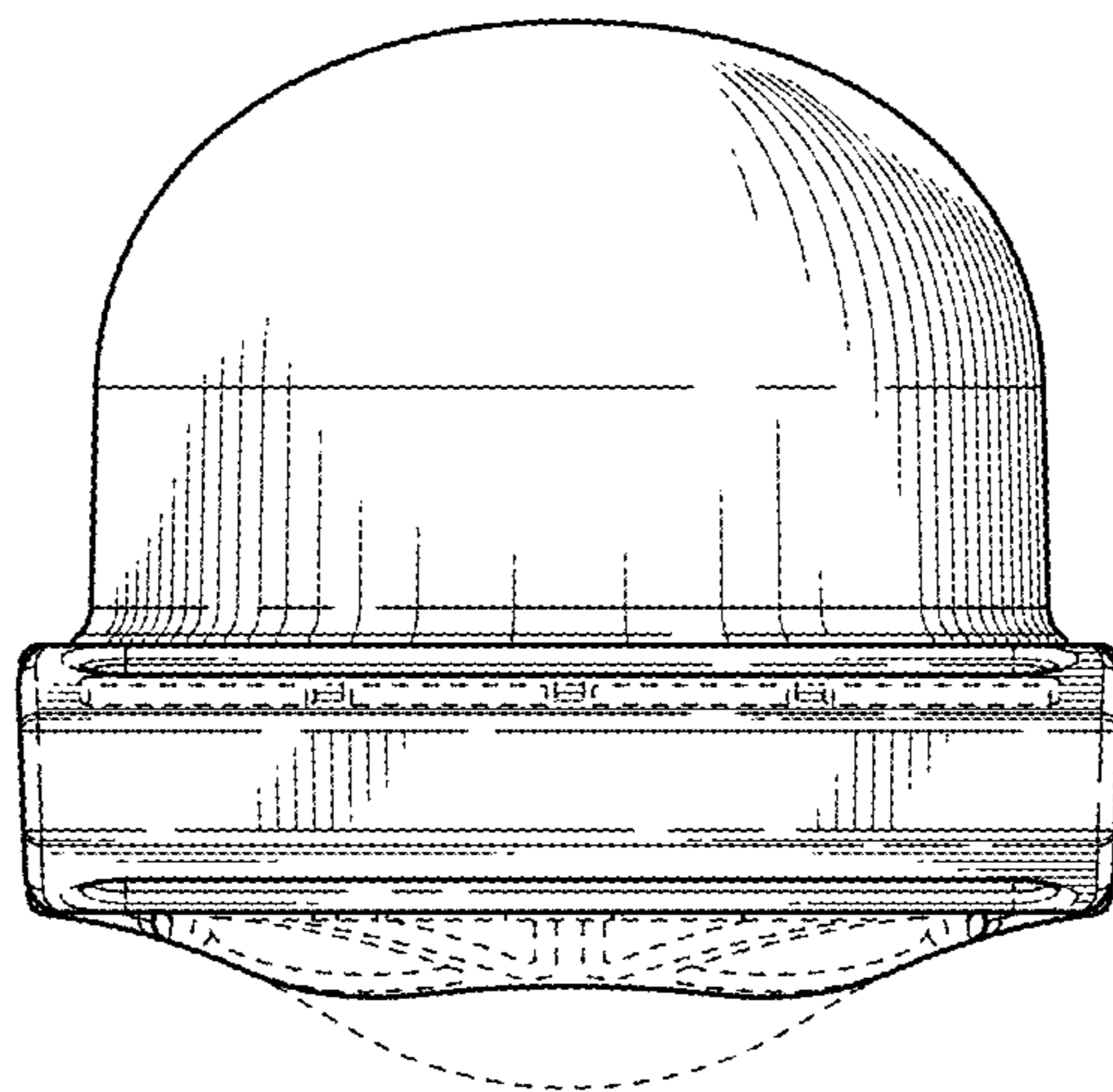


FIG. 6

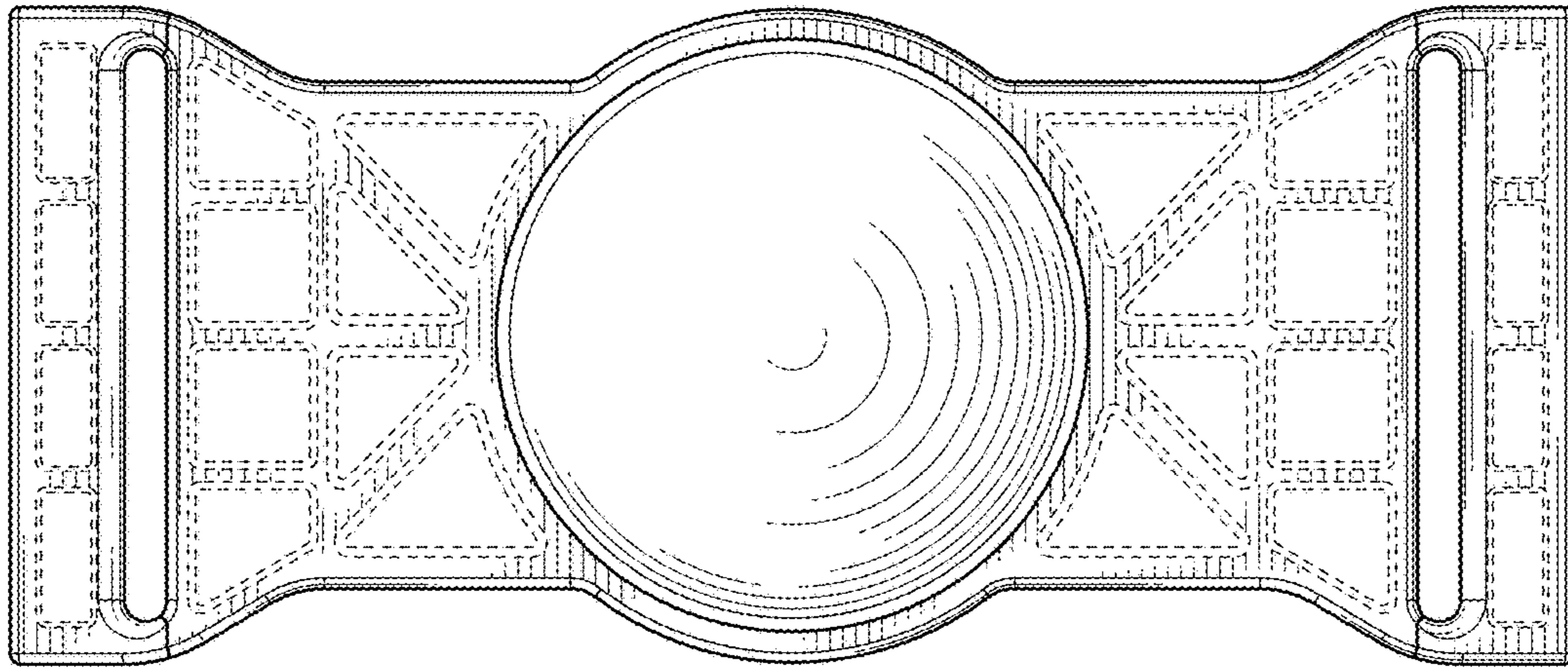


FIG. 7

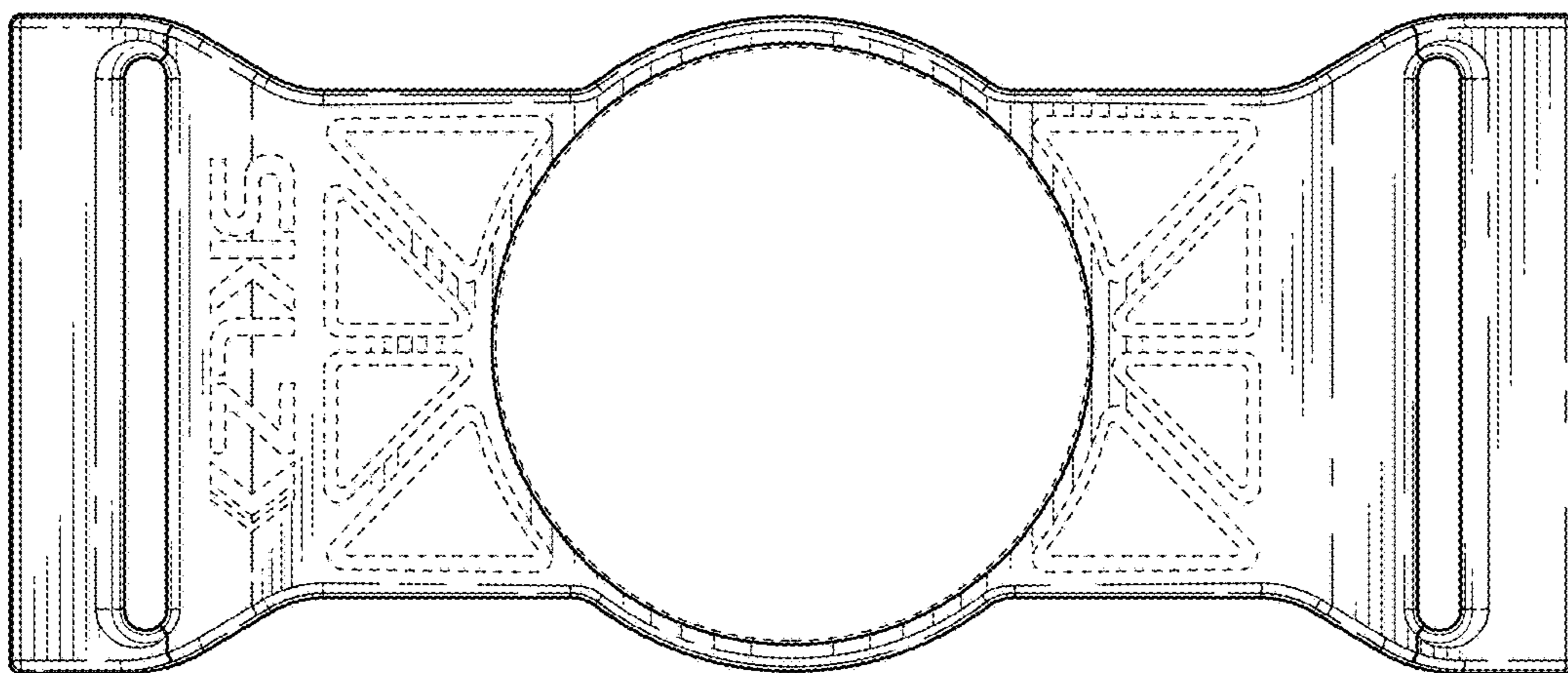


FIG. 8

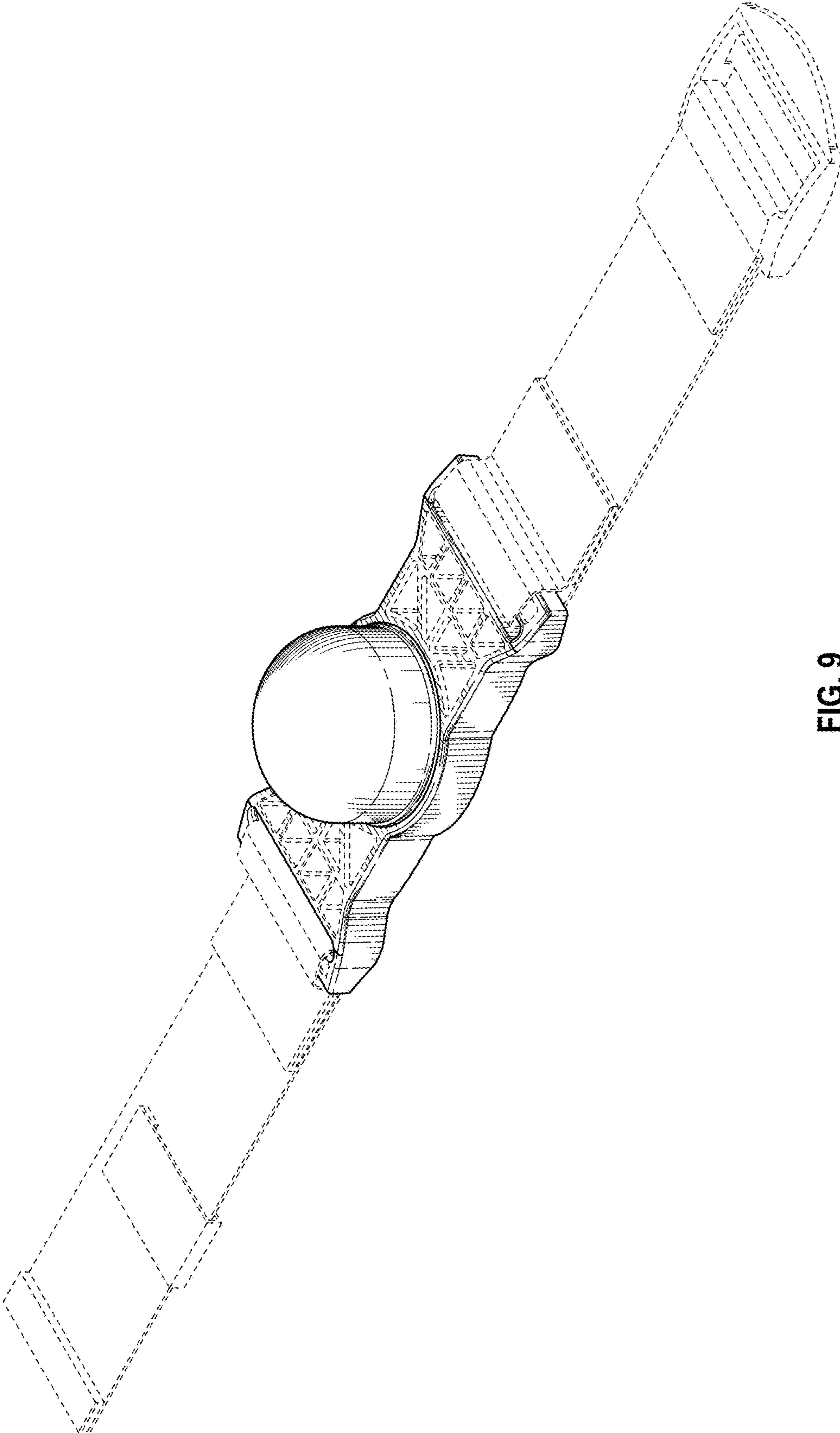


FIG. 9



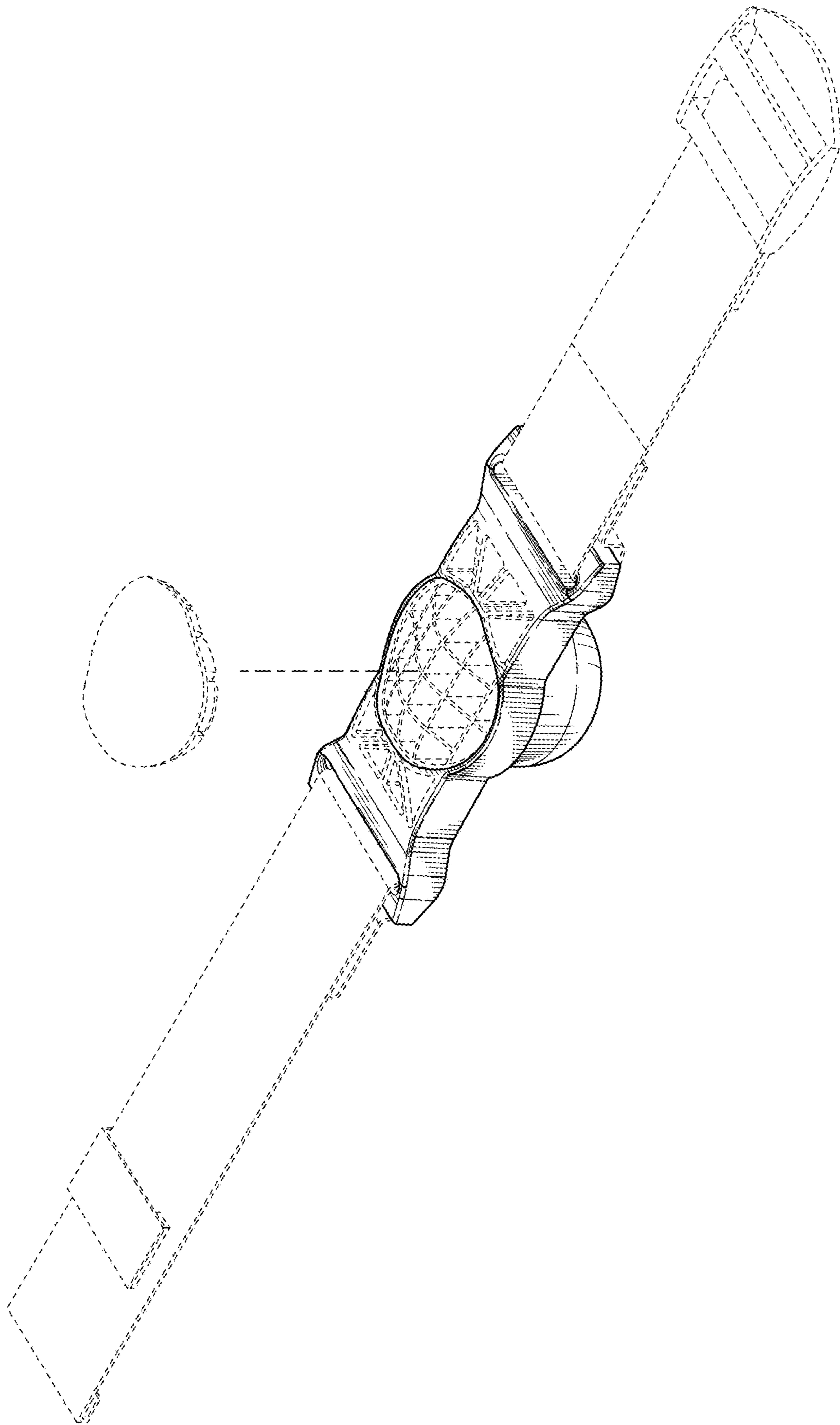


FIG. 10