



US00D822215S

(12) **United States Design Patent** (10) **Patent No.:** **US D822,215 S**  
**Al-Ali et al.** (45) **Date of Patent:** **\*\* Jul. 3, 2018**

(54) **MEDICAL MONITORING DEVICE**  
(71) Applicant: **MASIMO CORPORATION**, Irvine, CA (US)  
(72) Inventors: **Ammar Al-Ali**, San Juan Capistrano, CA (US); **Nicholas Evan Barker**, Laguna Beach, CA (US); **Chad A. DeJong**, Los Angeles, CA (US); **Sujin Hwang**, Irvine, CA (US); **Steven Egge**, Laguna Hills, CA (US)  
(73) Assignee: **Masimo Corporation**, Irvine, CA (US)  
(\*\*) Term: **15 Years**  
(21) Appl. No.: **29/601,852**  
(22) Filed: **Apr. 26, 2017**  
(51) **LOC (11) Cl.** ..... **24-02**  
(52) **U.S. Cl.**  
USPC ..... **D24/186**  
(58) **Field of Classification Search**  
USPC .... D24/164–168, 186, 107; D10/75, 70, 98, D10/103; D14/344, 138 R, 138 AA  
CPC ..... A61B 5/0002; A61B 5/02055; A61B 5/02438; A61B 5/6898; A61B 5/002; A61B 5/7455; A61B 5/7445; A61B 2560/0205; A61B 2560/0462; A61B 2560/045; G01F 1/1654  
See application file for complete search history.

(56) **References Cited**  
U.S. PATENT DOCUMENTS  
D554,263 S \* 10/2007 Al-Ali ..... D24/186  
D643,126 S \* 8/2011 Barker ..... D24/186  
9,436,645 B2 \* 9/2016 Al-Ali ..... A61B 5/002  
D788,312 S \* 5/2017 Al-Ali ..... D24/186  
9,847,002 B2 \* 12/2017 Kiani ..... A61B 5/6898  
2011/0054267 A1 \* 3/2011 Fidacaro ..... A61B 5/0002  
600/300  
2013/0262730 A1 \* 10/2013 Al-Ali ..... A61B 5/0002  
710/303  
2015/0097701 A1 \* 4/2015 Al-Ali ..... A61B 5/0002  
340/870.07

(Continued)

Primary Examiner — Anhdao Doan

(74) *Attorney, Agent, or Firm* — Knobbe, Martens, Olson & Bear, LLP

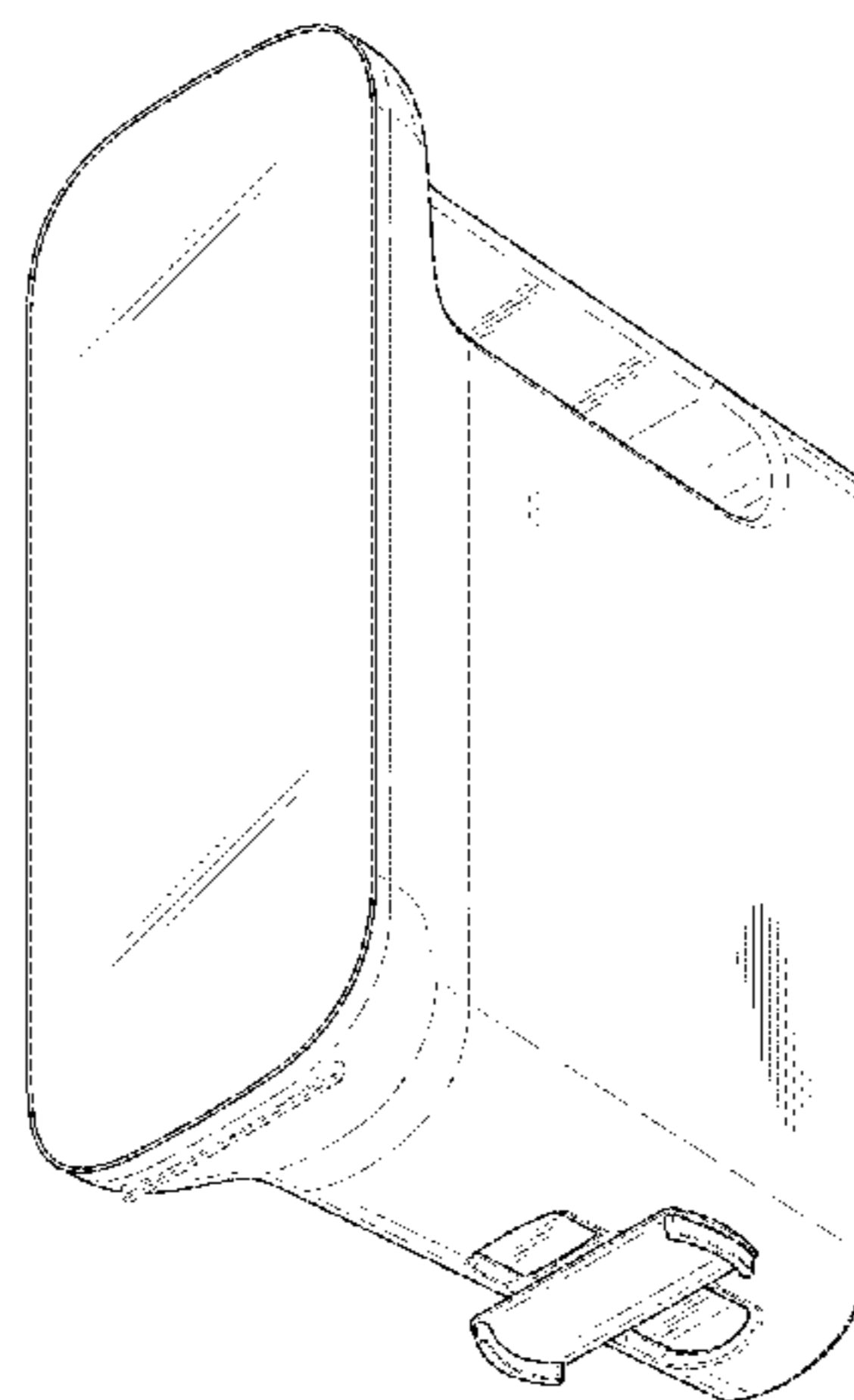
(57) **CLAIM**

The ornamental design for a medical monitoring device, as shown and described.

**DESCRIPTION**

FIG. 1 is a front, side, and bottom perspective view of a medical monitoring device embodying our new design; FIG. 2 is a front view thereof; FIG. 3 is a rear view thereof; FIG. 4 is a first side view thereof; FIG. 5 is a second side view thereof; FIG. 6 is a top view thereof; FIG. 7 is a bottom view thereof; FIG. 8 is a front, side, and bottom perspective view of another medical monitoring device; FIG. 9 is a front view thereof; FIG. 10 is a rear view thereof; FIG. 11 is a first side view thereof; FIG. 12 is a second side view thereof; FIG. 13 is a top view thereof; FIG. 14 is a bottom view thereof; FIG. 15 is a front, side, and bottom perspective view of yet another medical monitoring device; FIG. 16 is a front view thereof; FIG. 17 is a rear view thereof; FIG. 18 is a first side view thereof; FIG. 19 is a second side view thereof; FIG. 20 is a top view thereof; and, FIG. 21 is a bottom view thereof. Broken lines are used to illustrate portions of the medical monitoring device that form no part of the claimed design.

**1 Claim, 21 Drawing Sheets**



(56)

**References Cited**

U.S. PATENT DOCUMENTS

2016/0055740 A1\* 2/2016 Fuchs ..... A61B 5/7495  
340/8.1

\* cited by examiner

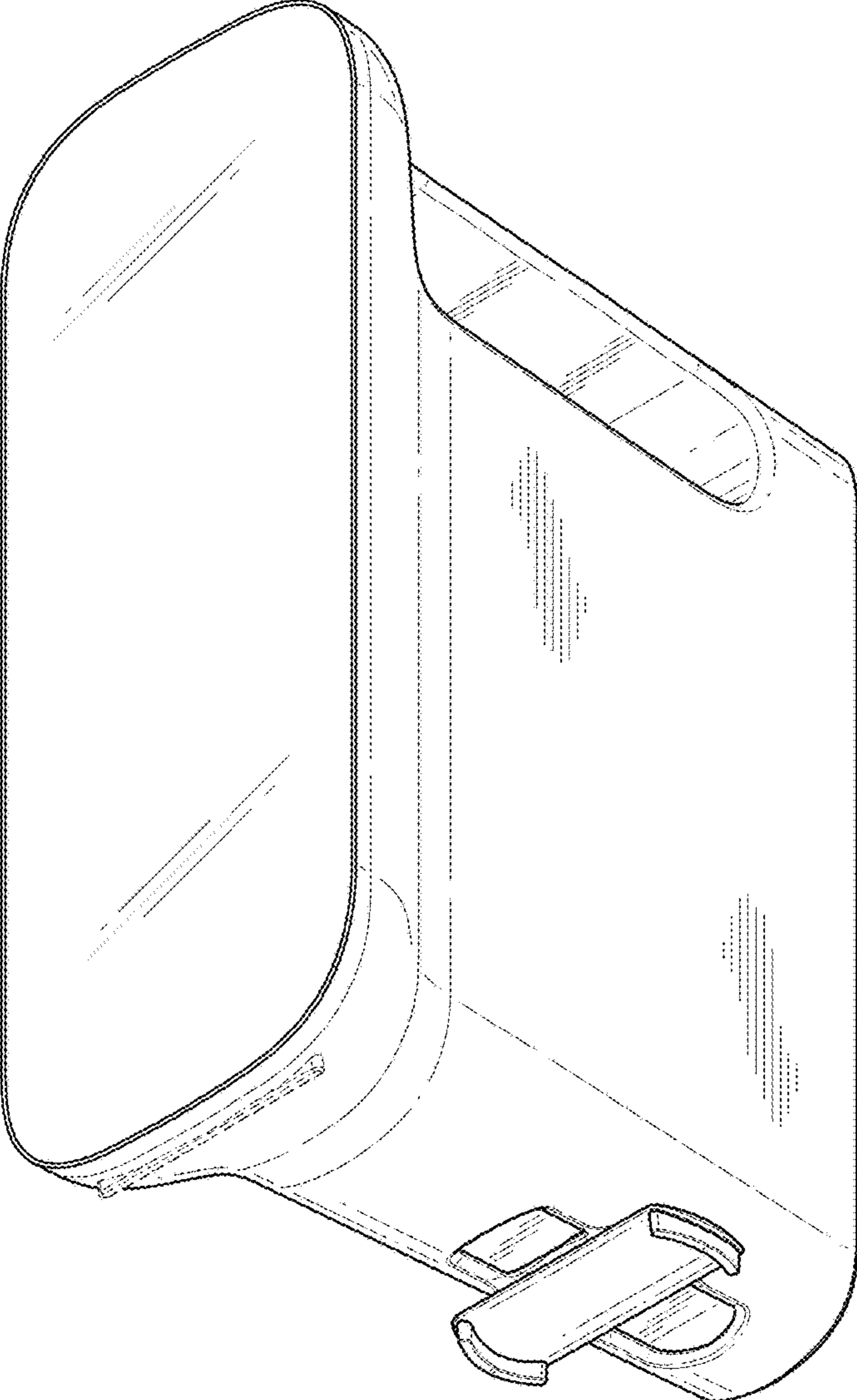


FIG. 1

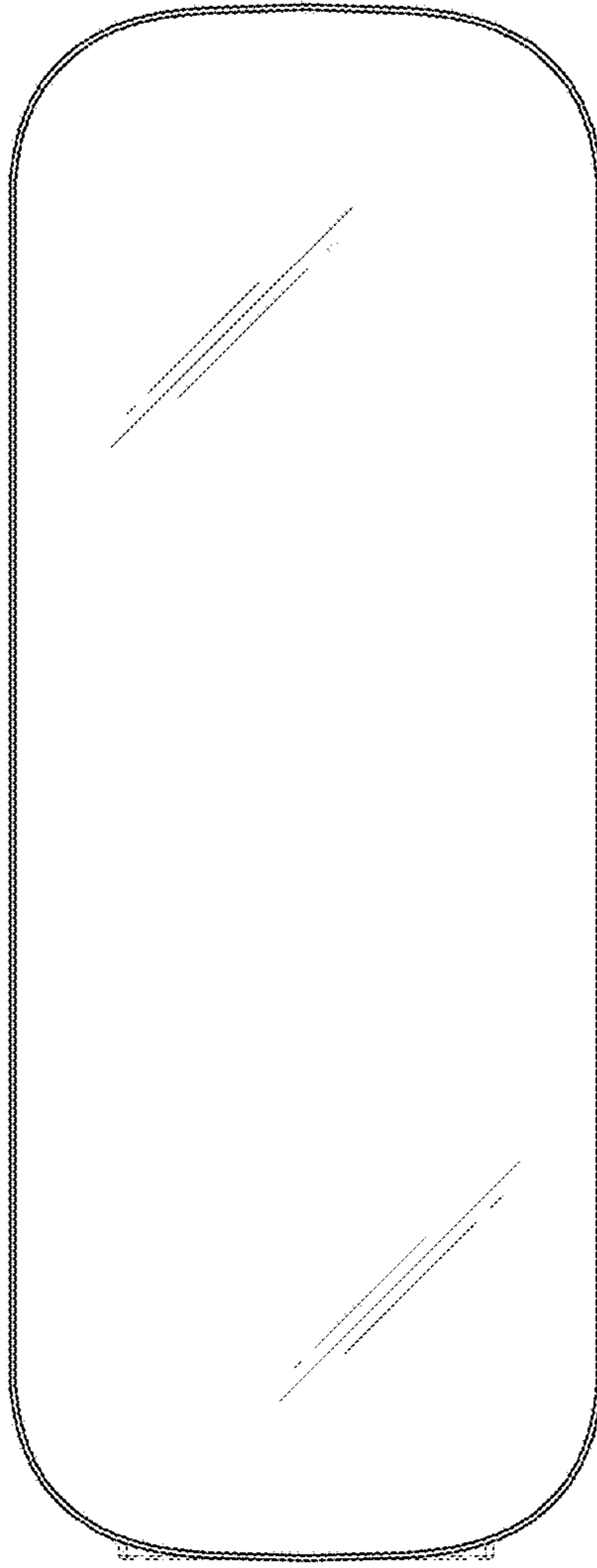


FIG. 2

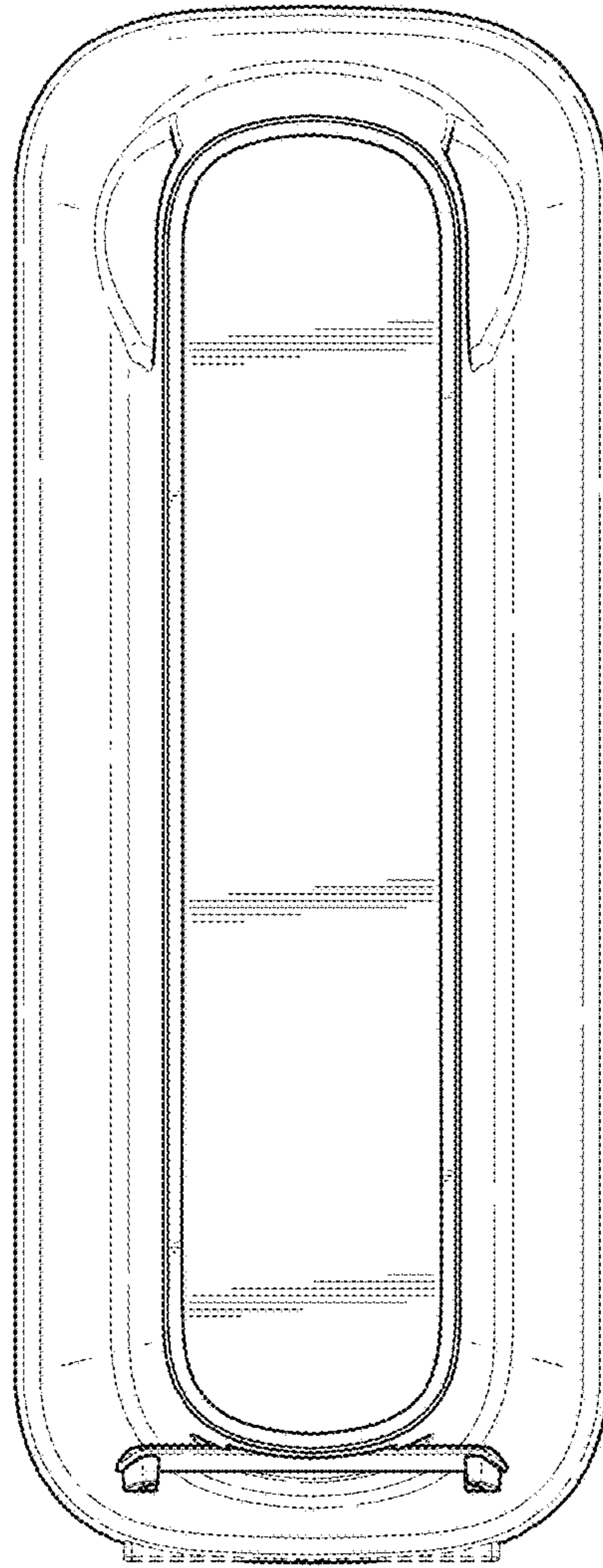


FIG. 3

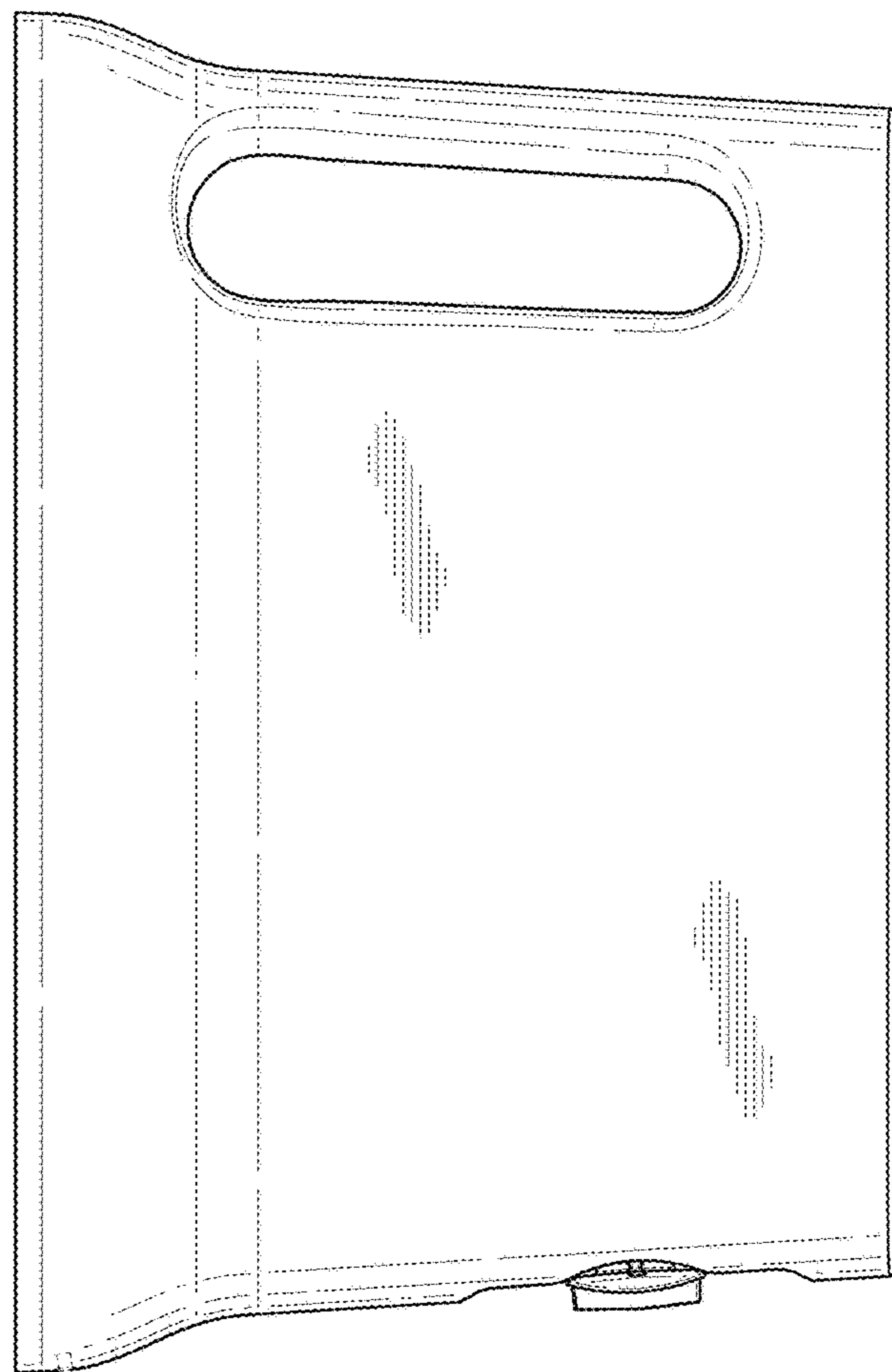


FIG. 4

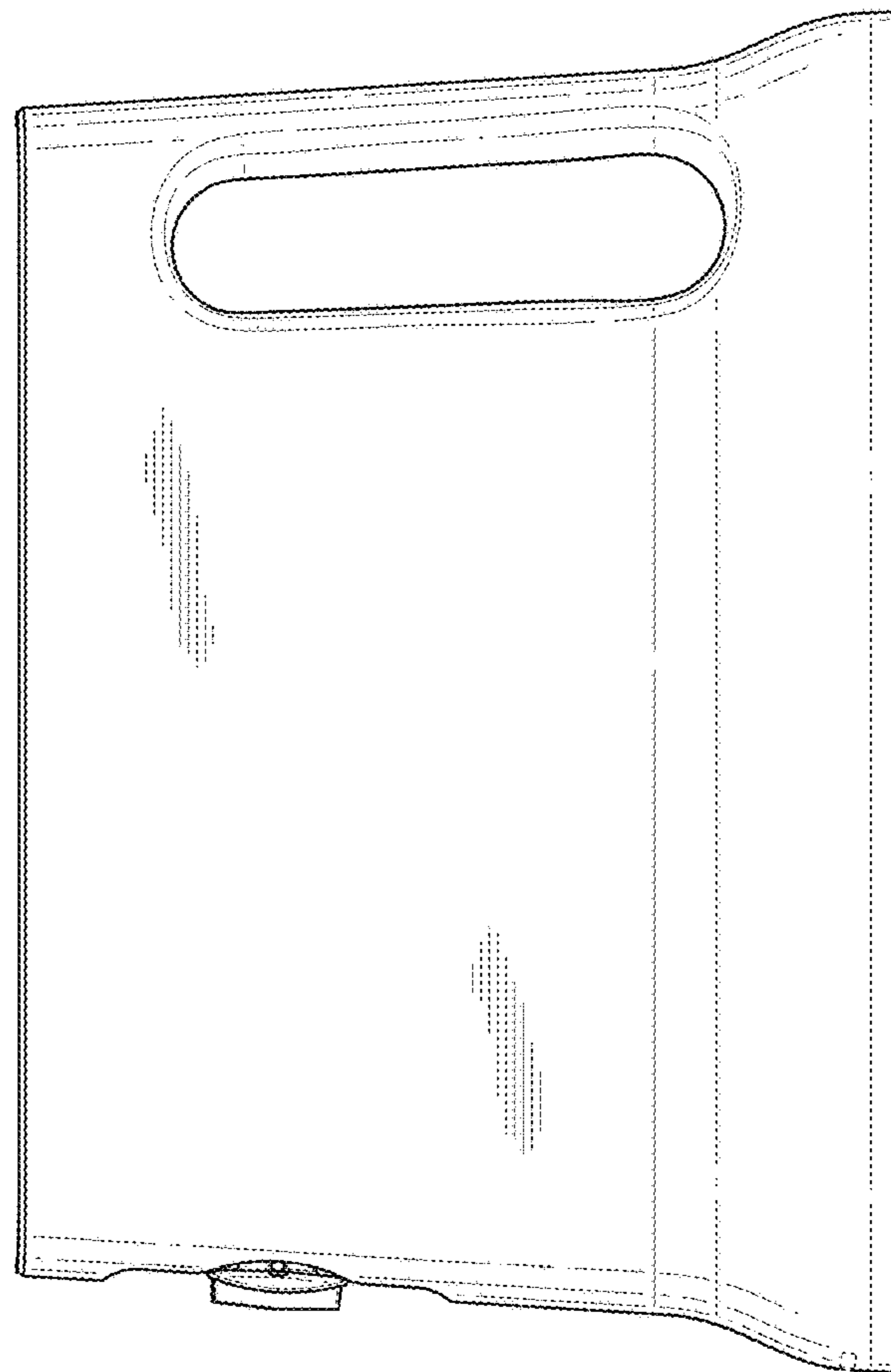


FIG. 5

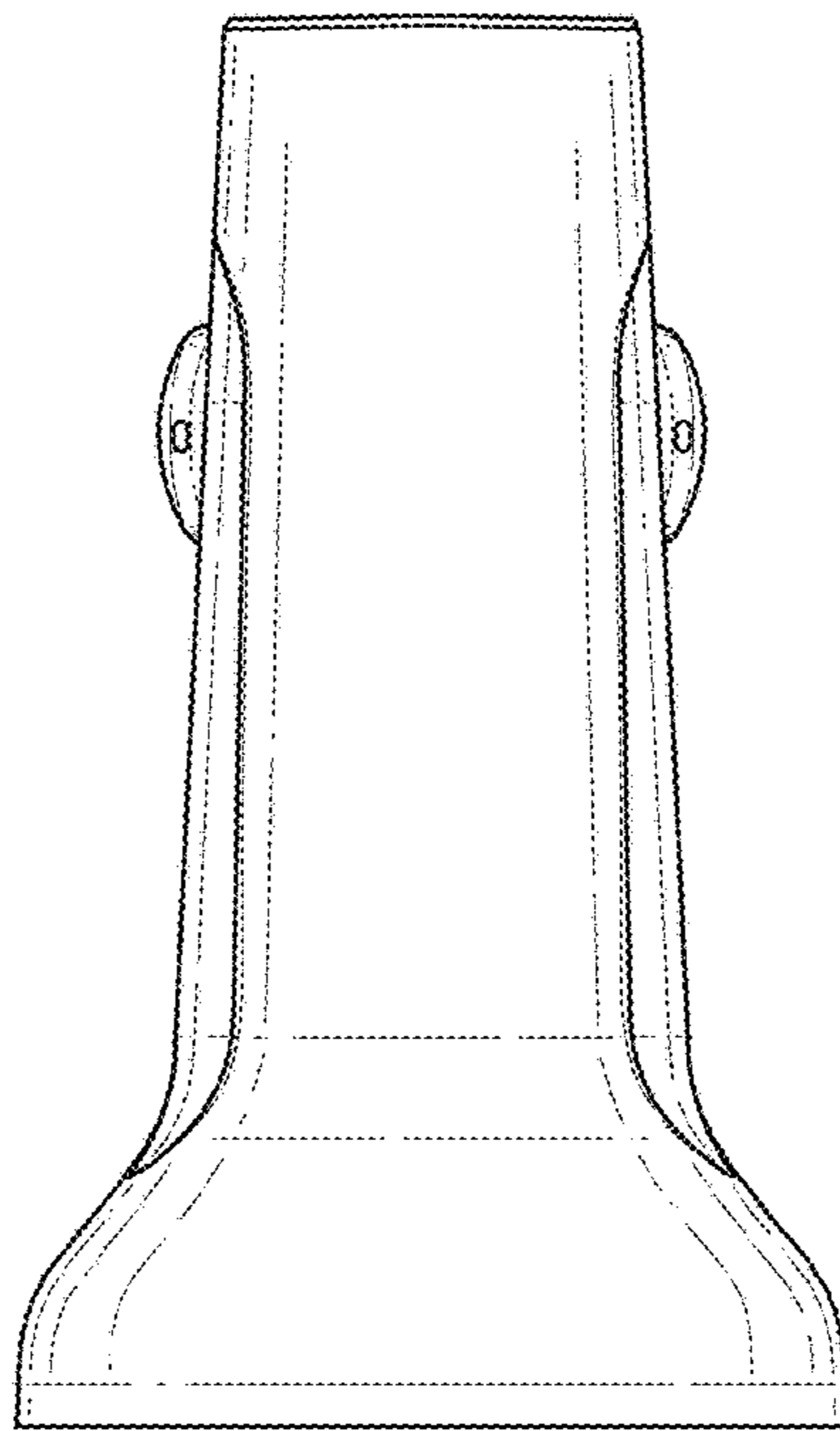


FIG. 6



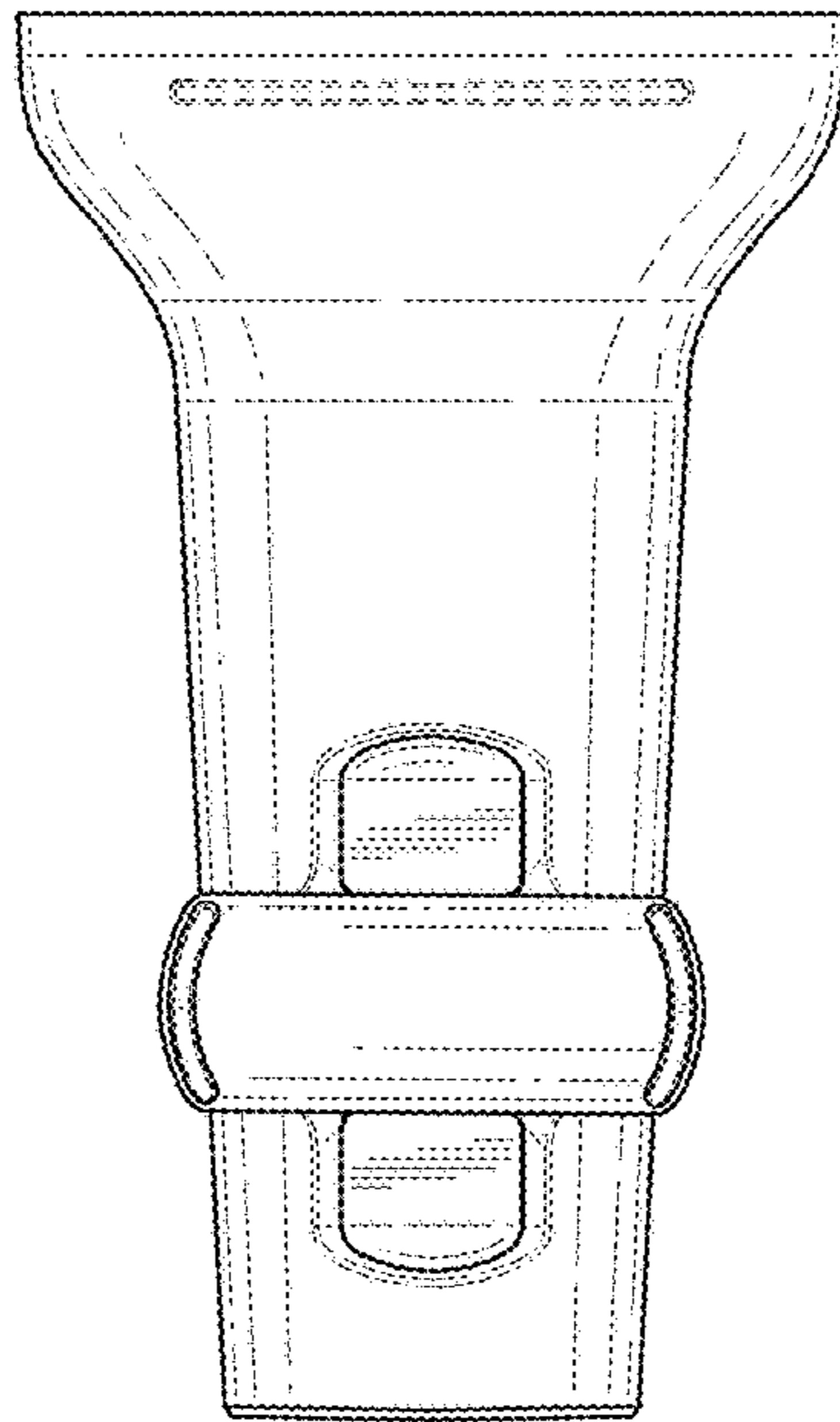


FIG. 7

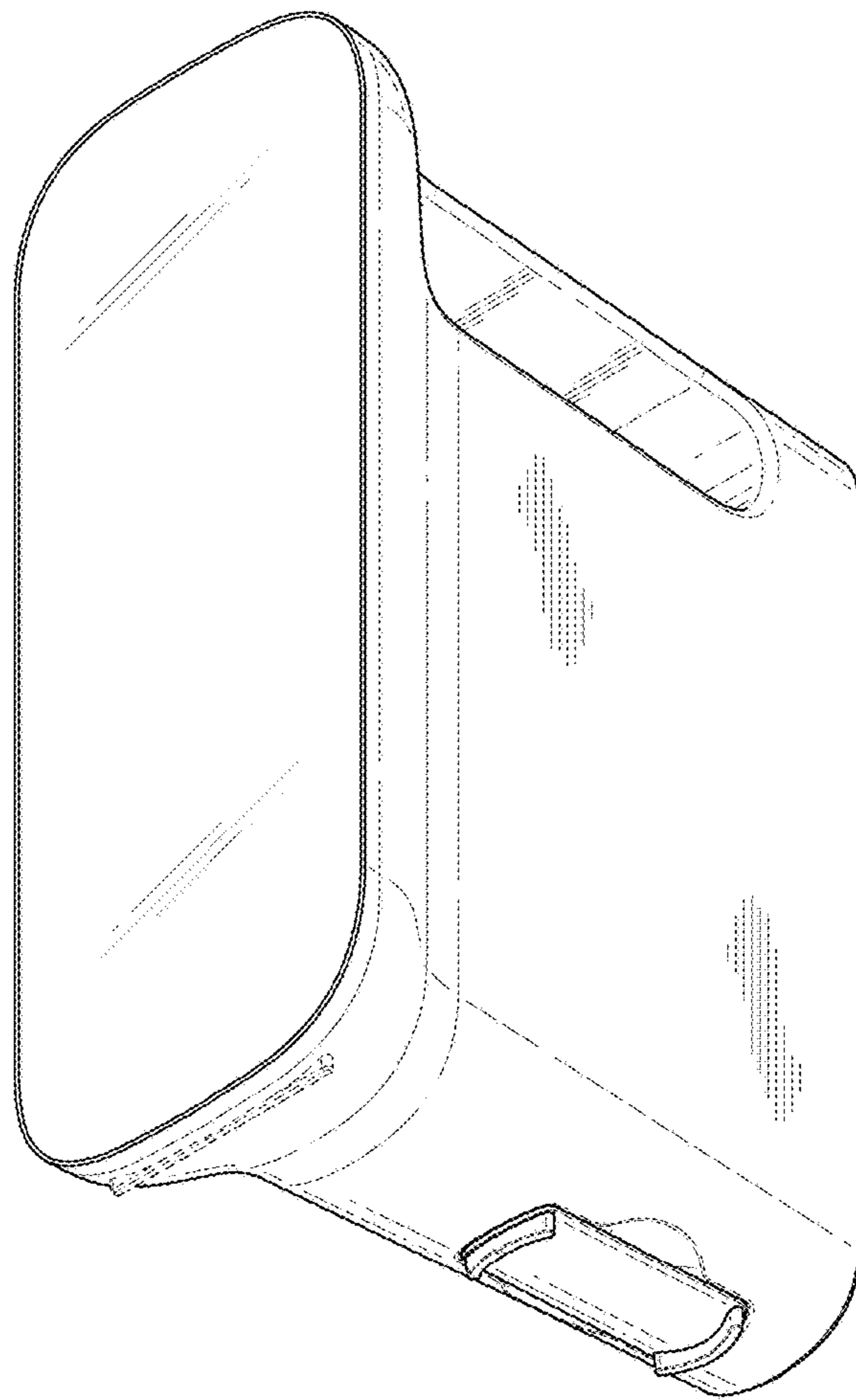


FIG. 8

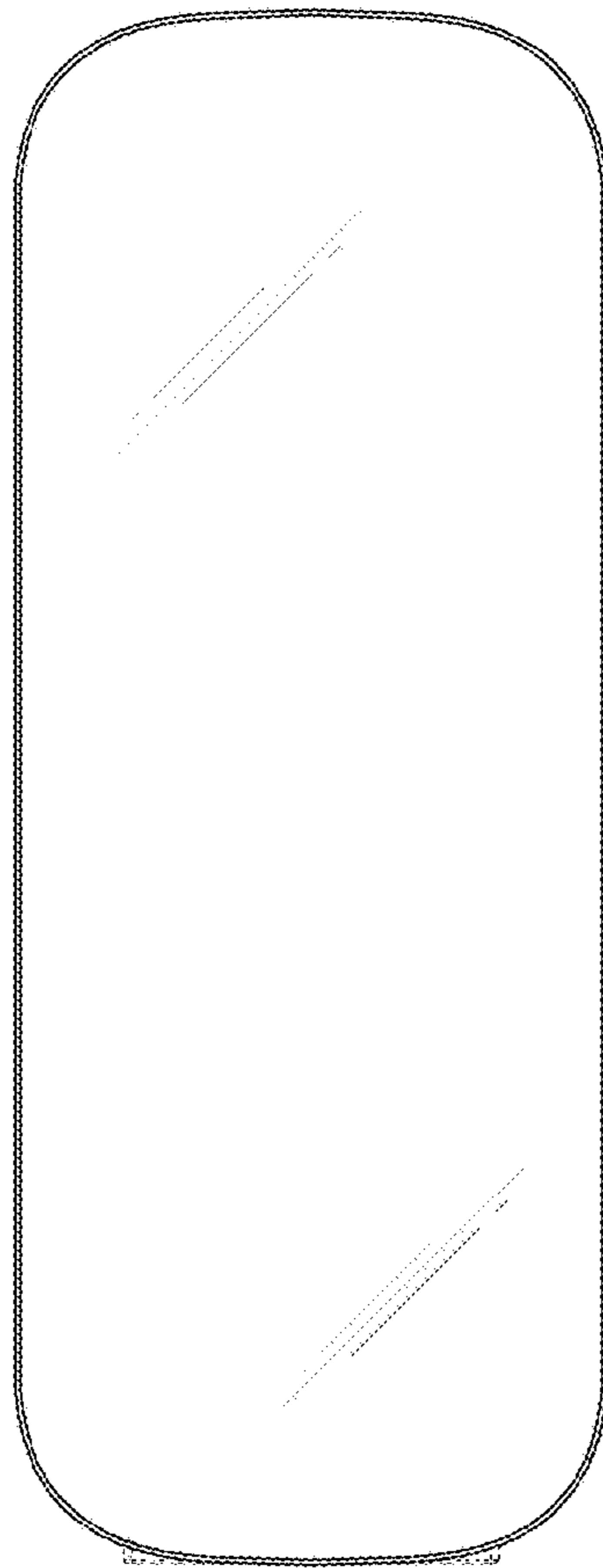


FIG. 9

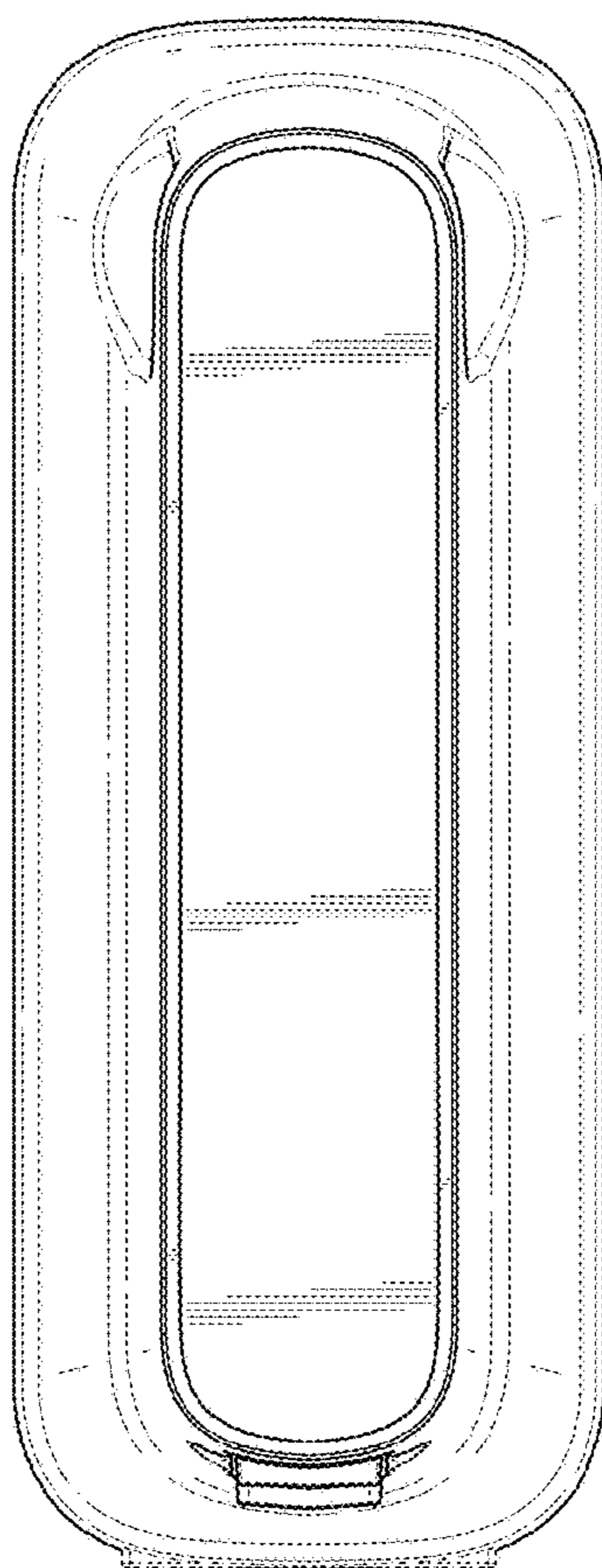


FIG. 10

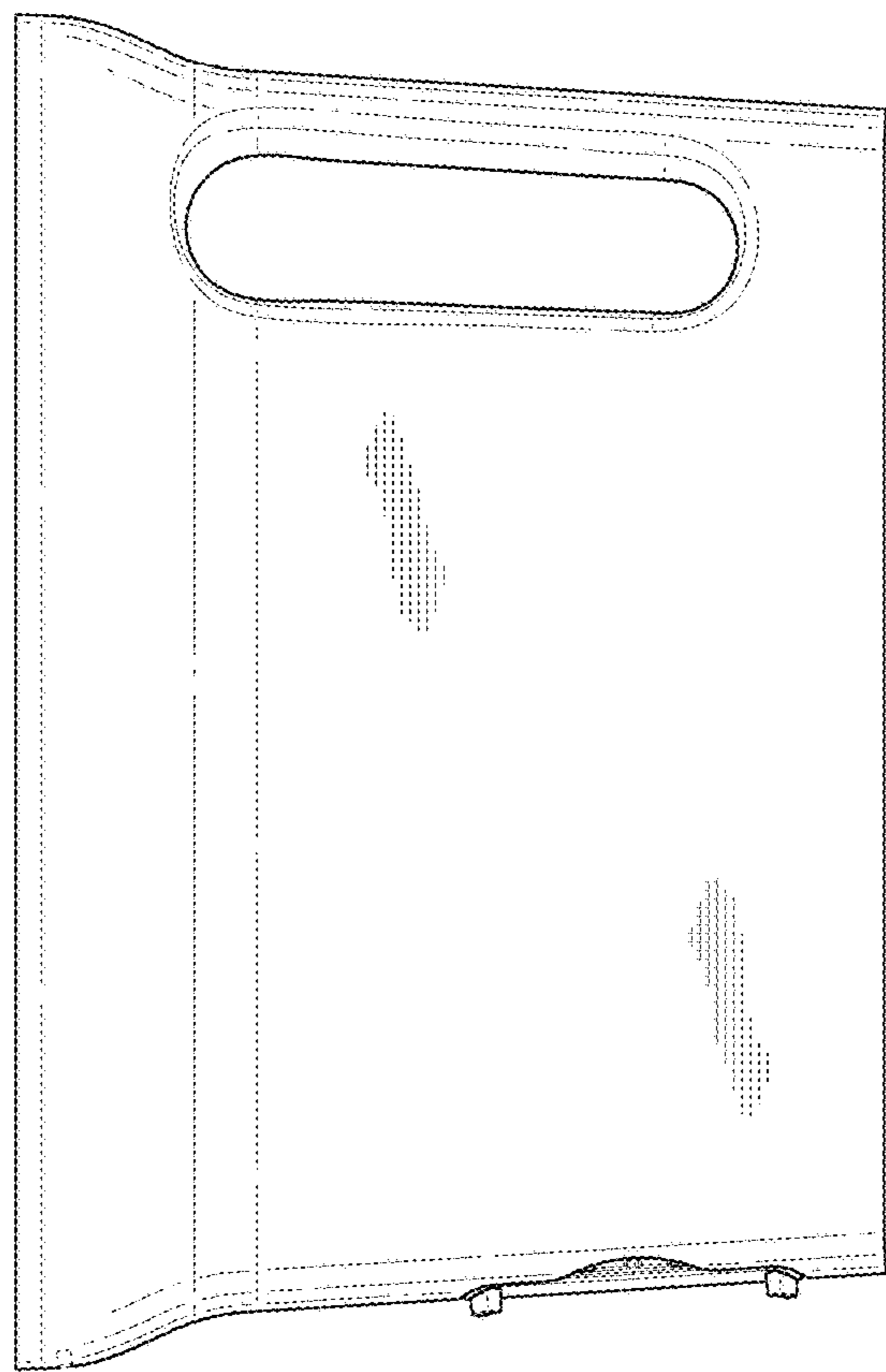


FIG. 11

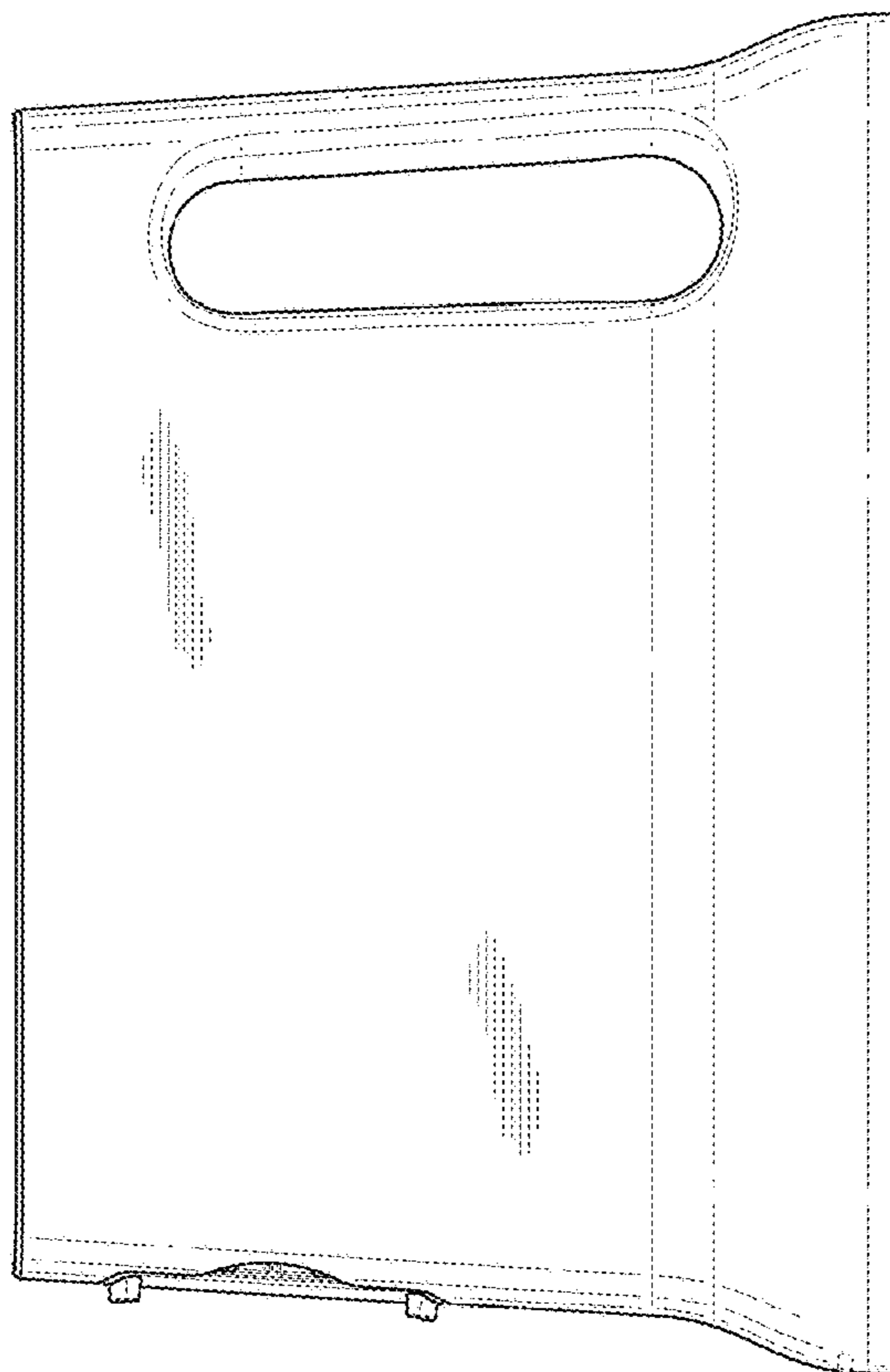


FIG. 12

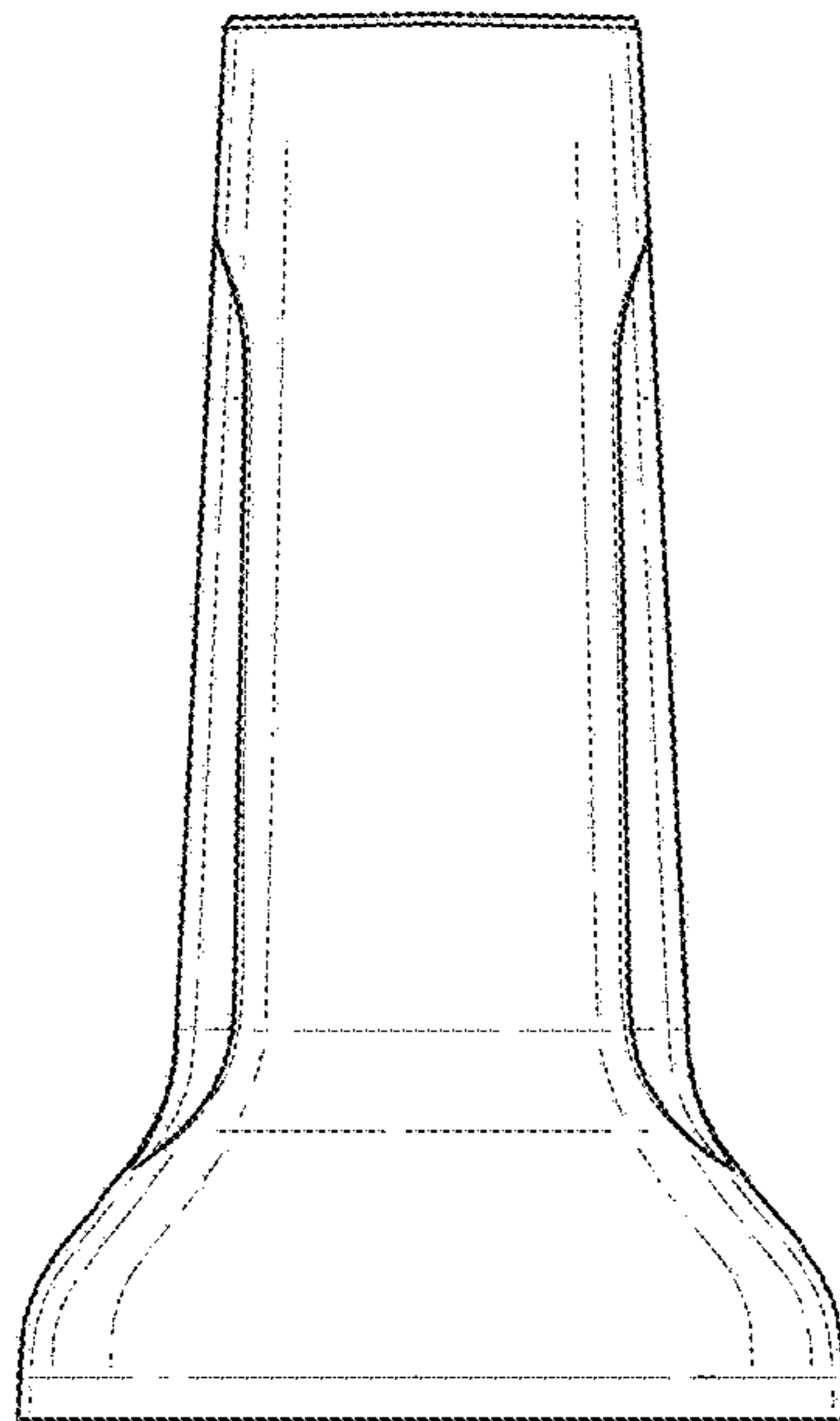


FIG. 13

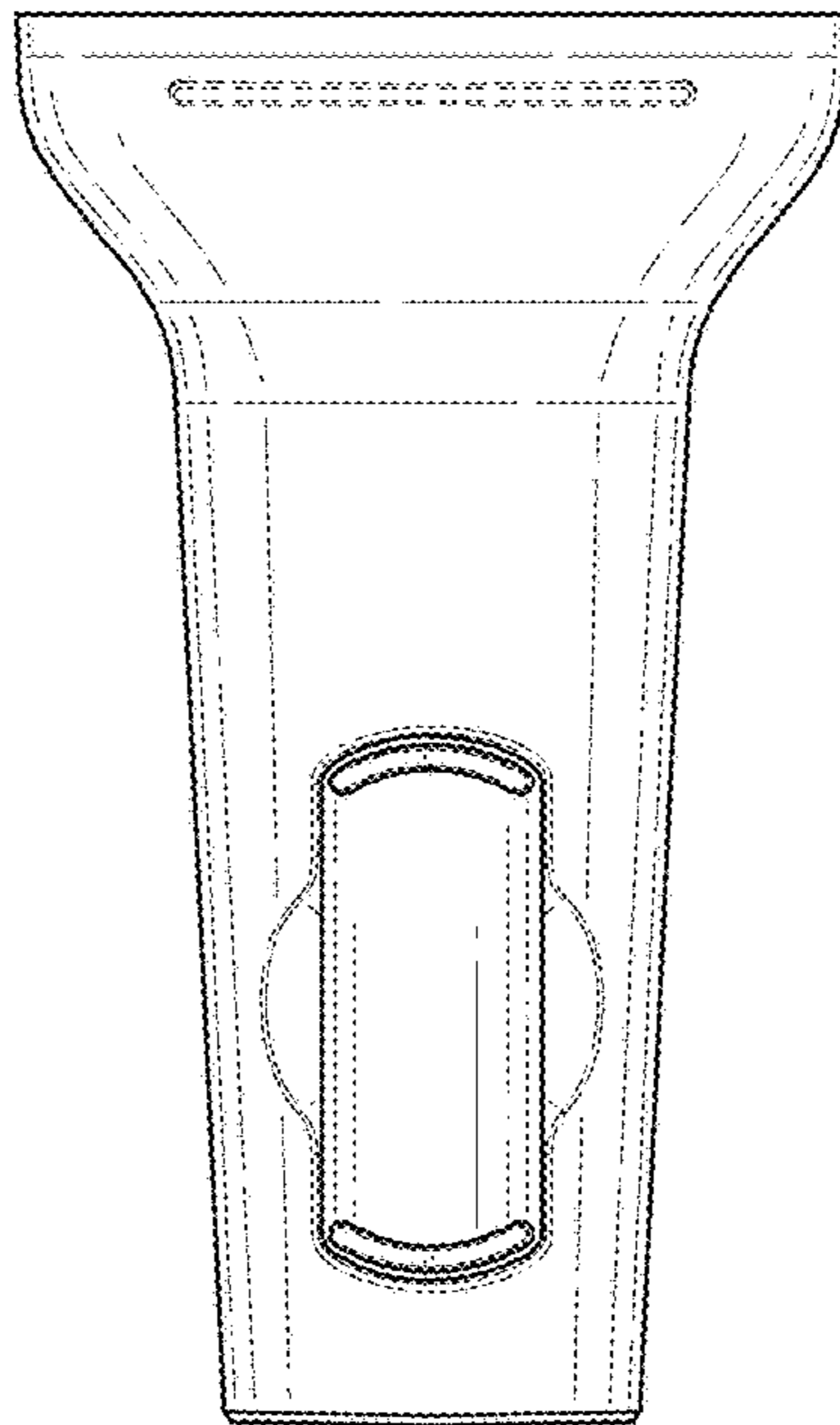


FIG. 14



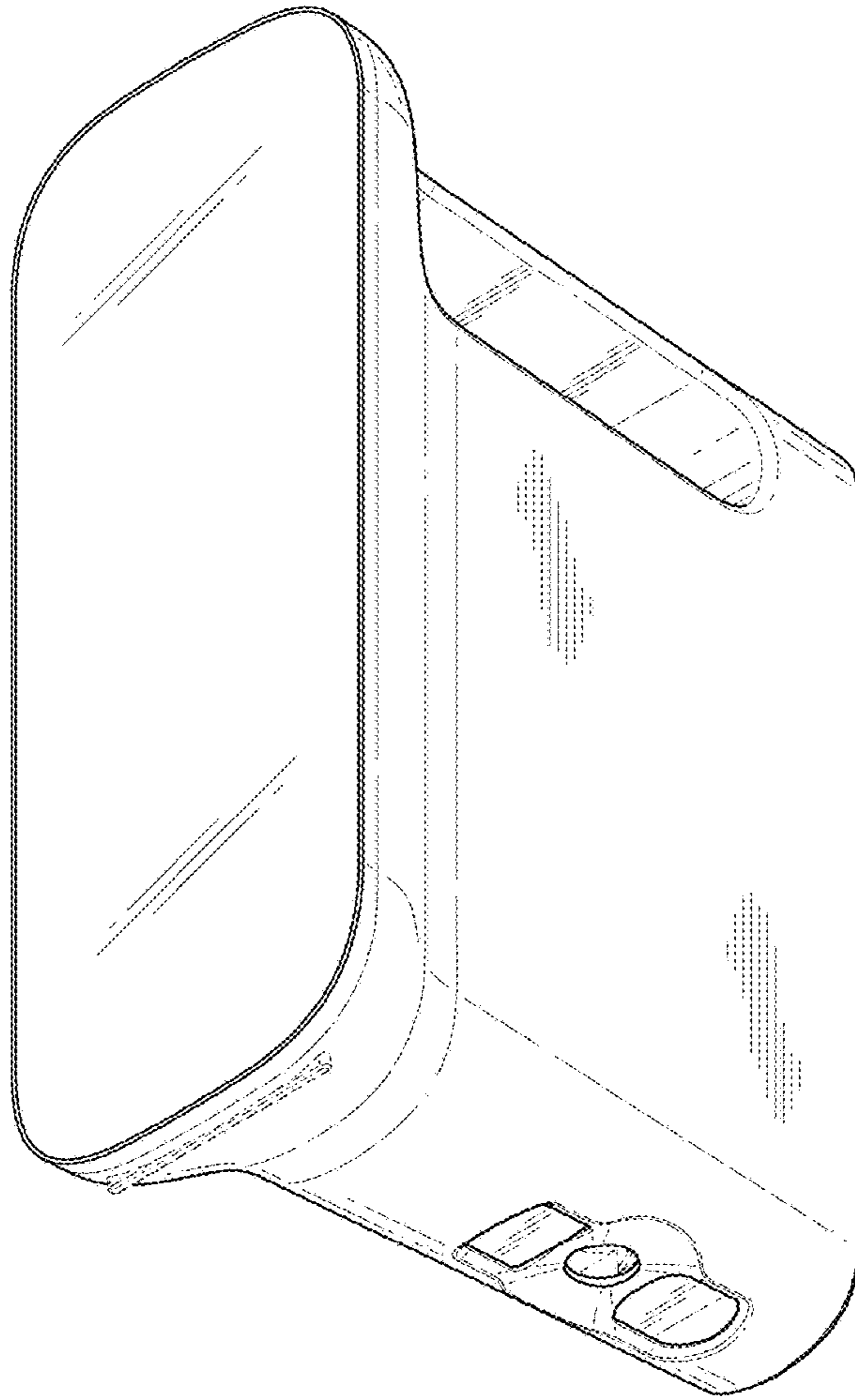


FIG. 15

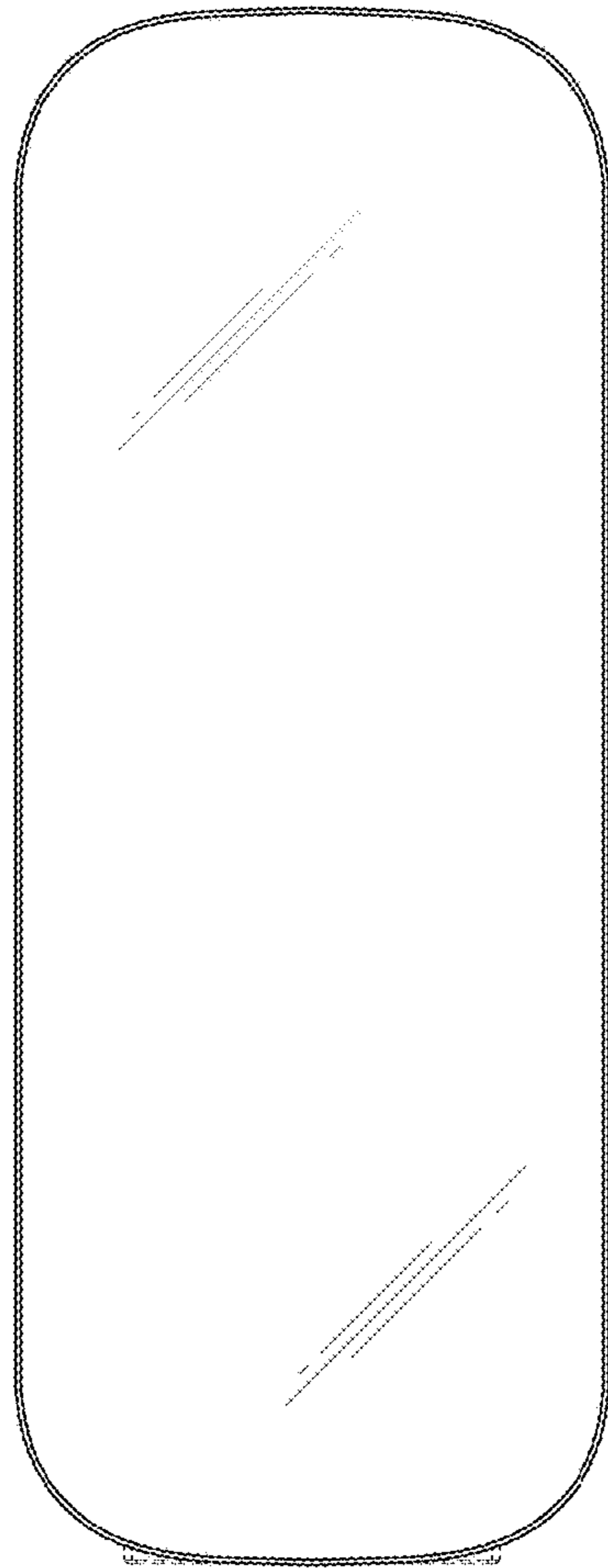


FIG. 16

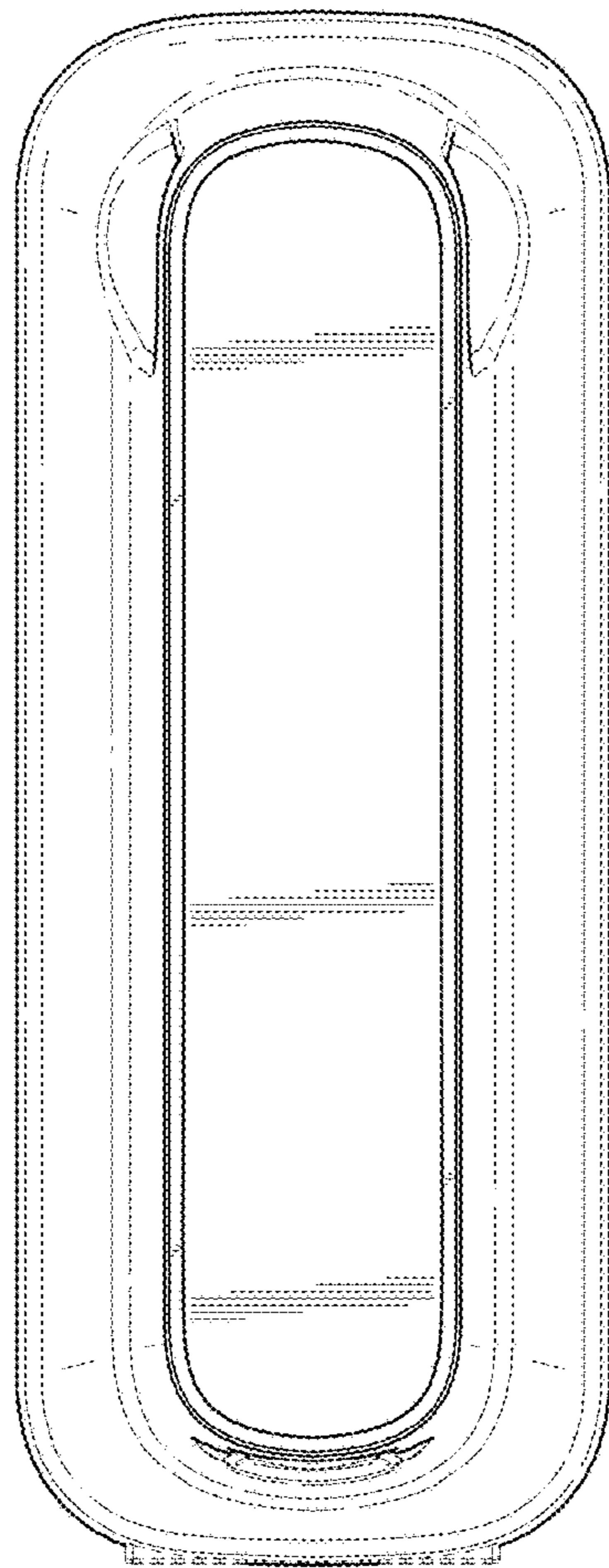


FIG. 17

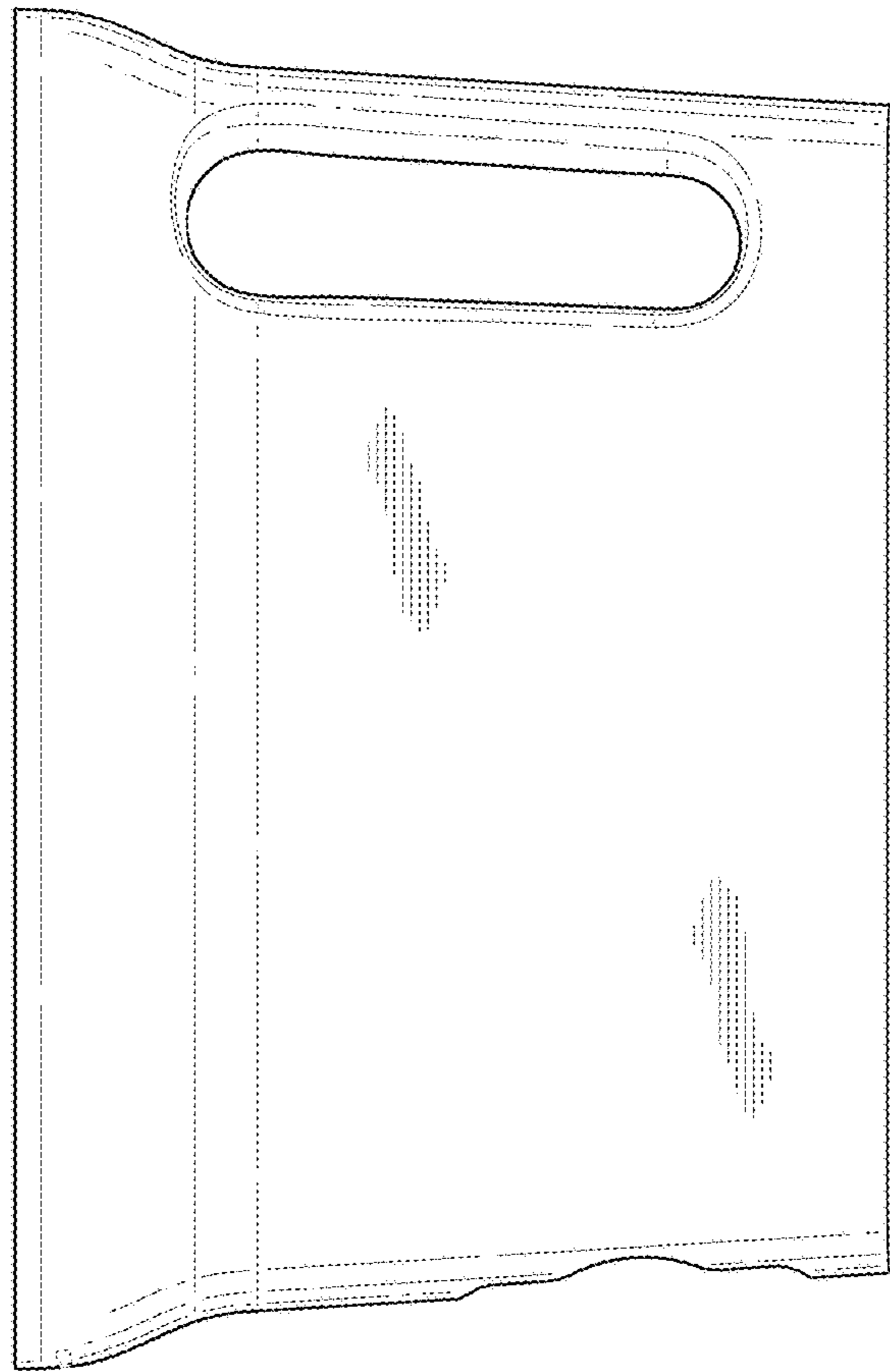


FIG. 18

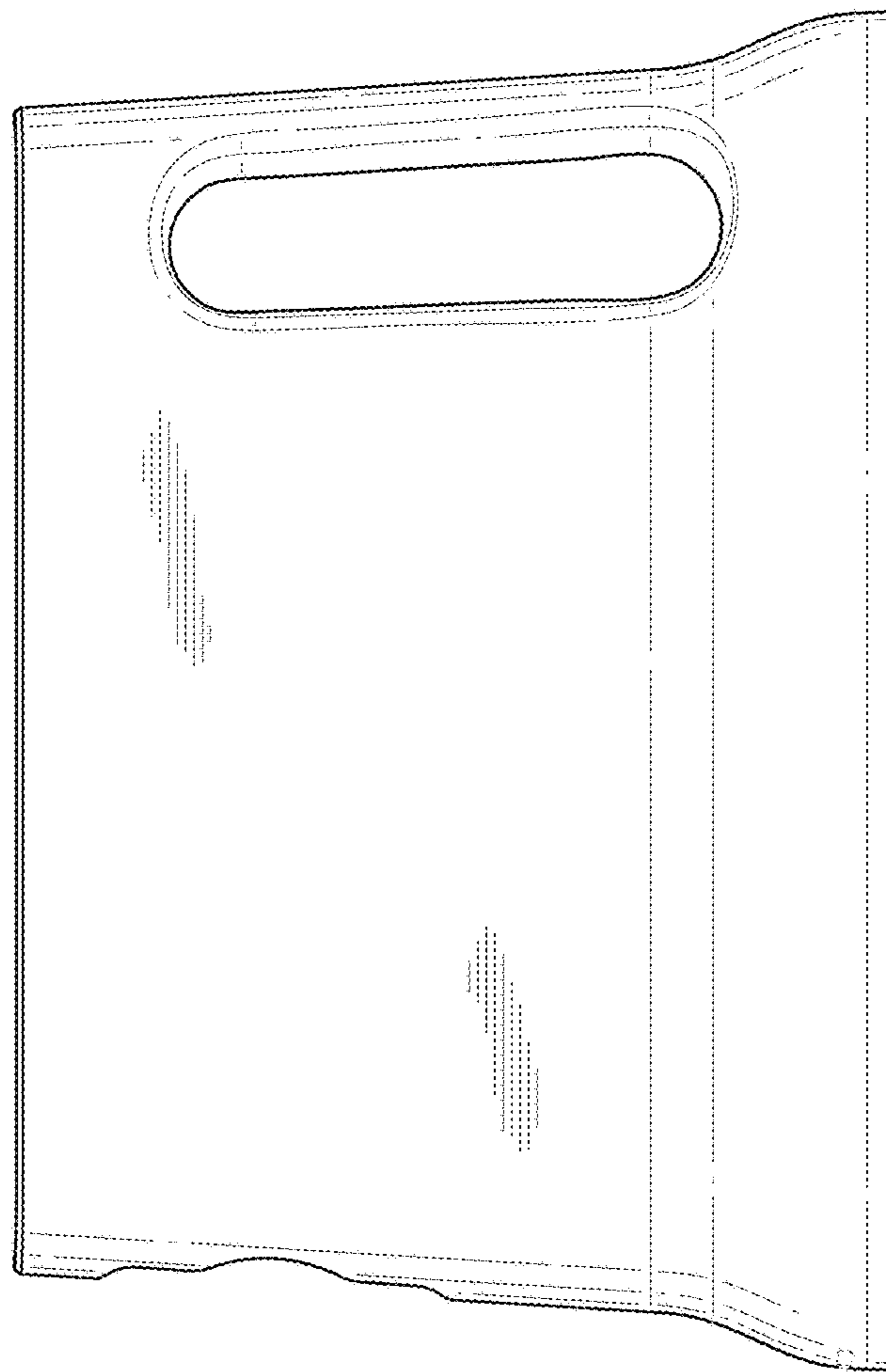


FIG. 19

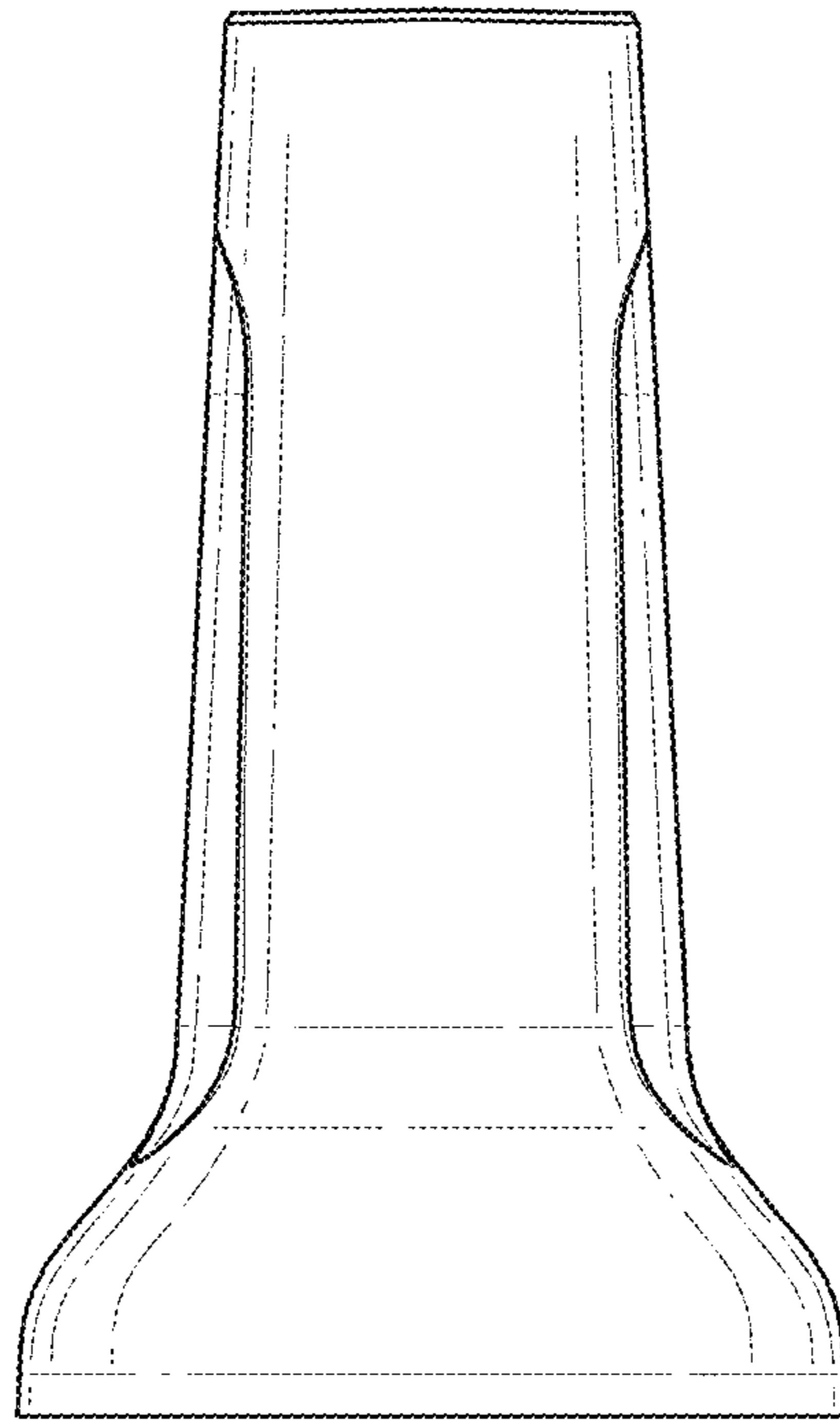


FIG. 20

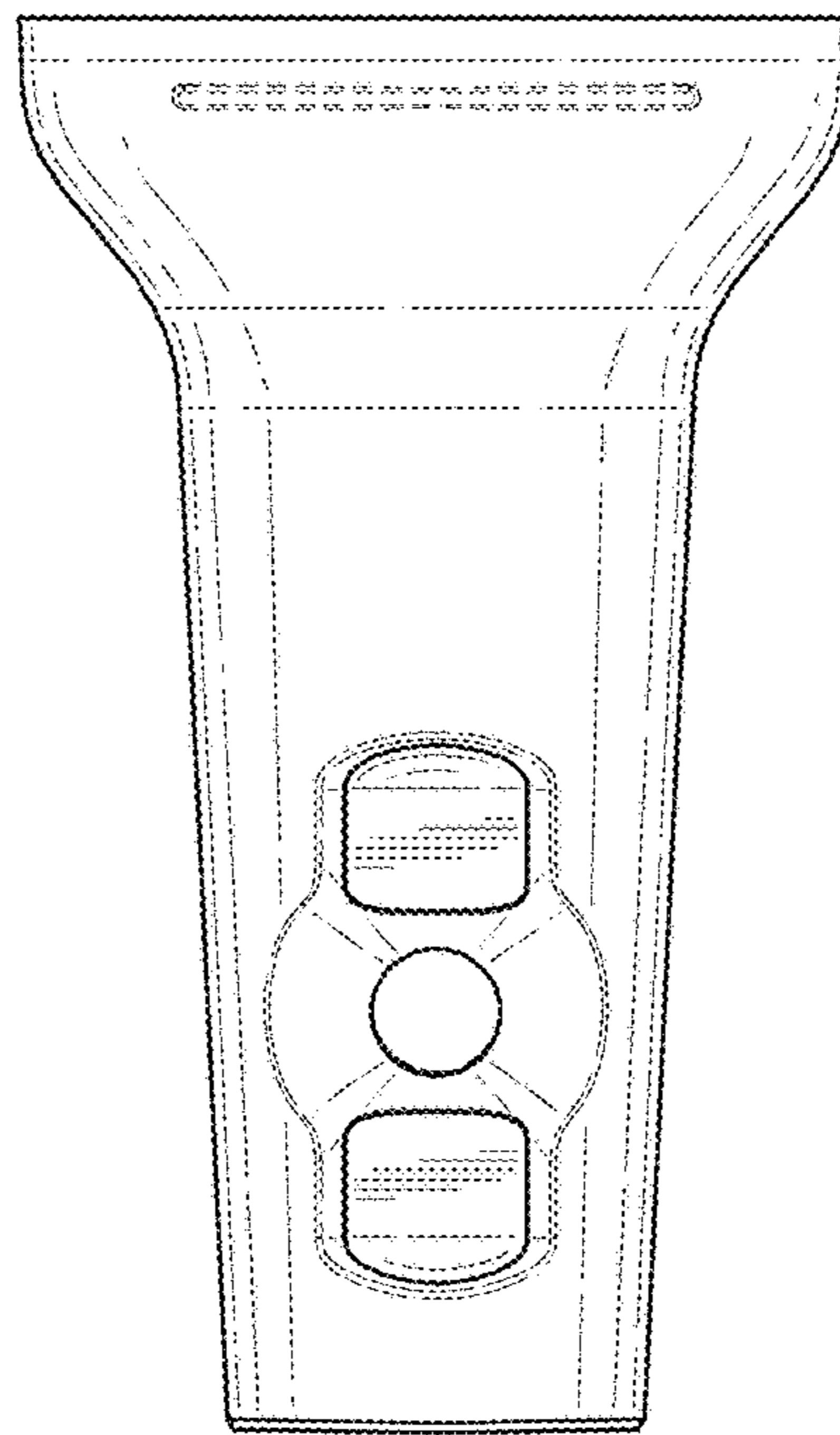


FIG. 21