



US00D822213S

(12) **United States Design Patent**
Hull et al.

(10) **Patent No.:** **US D822,213 S**
(45) **Date of Patent:** **** Jul. 3, 2018**

(54) **DENTAL RING**
(71) Applicant: **Garrison Dental Solutions, LLC**,
Spring Lake, MI (US)
(72) Inventors: **Alex Hull**, Grand Rapids, MI (US);
Nathan R. Garrett, Grand Rapids, MI
(US); **Ronald B. Peel**, Whitehall, MI
(US)

7,284,983 B2 10/2007 McDonald
7,367,937 B2 5/2008 Jambor et al.
D604,854 S 11/2009 McDonald
7,909,839 B2 3/2011 Fields
8,029,281 B2 10/2011 Ho
8,529,258 B2 9/2013 Doenges et al.
8,899,979 B2 12/2014 Anderson et al.

(Continued)

(73) Assignee: **Garrison Dental Solutions, LLC**,
Spring Lake, MI (US)

EP 1537833 A2 6/2005
EP 2257237 B1 4/2014

(Continued)

(**) Term: **15 Years**

Primary Examiner — Wan Laymon

(21) Appl. No.: **29/607,421**

(74) *Attorney, Agent, or Firm* — Warner Norcross + Judd
LLP

(22) Filed: **Jun. 13, 2017**

(51) **LOC (11) Cl.** **24-02**

(52) **U.S. Cl.**
USPC **D24/181**

(58) **Field of Classification Search**
USPC D24/155–156, 176–182; 433/38–40, 139,
433/148

CPC A61C 5/85; A61C 5/88; A61C 5/80; A61C
5/00; A61C 5/30; A61C 5/82

See application file for complete search history.

(56) **References Cited**

U.S. PATENT DOCUMENTS

388,620 A	8/1888	Booth
427,338 A	5/1890	Marshall
1,358,300 A	11/1920	Dailey
1,661,068 A	2/1928	Gaillard
5,607,302 A	3/1997	Garrison et al.
5,697,942 A	12/1997	Palti
6,206,697 B1	3/2001	Hugo
6,325,625 B1	12/2001	Meyer
6,336,810 B1	1/2002	Bertoletti
6,589,053 B2	7/2003	Bills
7,077,651 B2	7/2006	Anderson
7,175,432 B2	2/2007	McDonald

FOREIGN PATENT DOCUMENTS

Primary Examiner — Wan Laymon
(74) *Attorney, Agent, or Firm* — Warner Norcross + Judd
LLP

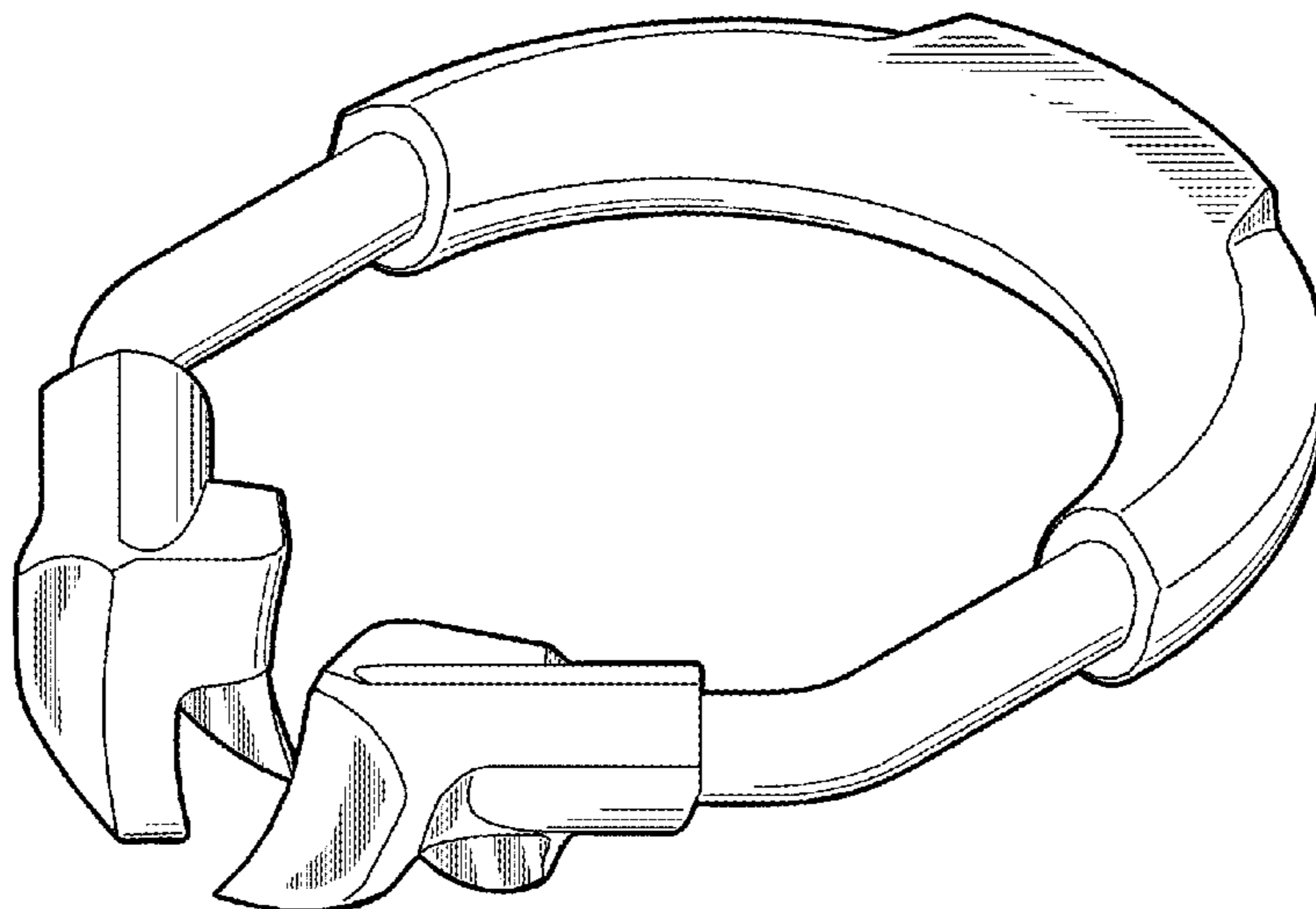
(57) **CLAIM**

The ornamental design for a dental ring, as shown and
described.

DESCRIPTION

FIG. 1 is a perspective view of a dental ring showing our
new design;
FIG. 2 is a front view thereof;
FIG. 3 is a left side view thereof;
FIG. 4 is a back view thereof;
FIG. 5 is a right side view thereof;
FIG. 6 is a top view thereof;
FIG. 7 is a bottom view thereof;
FIG. 8 is perspective view of another embodiment of a
dental ring showing our new design;
FIG. 9 is a front view of the dental ring of FIG. 8;
FIG. 10 is a right side view of the dental ring of FIG. 8;
FIG. 11 is a back view the dental ring of FIG. 8;
FIG. 12 is a left side view of the dental ring of FIG. 8;
FIG. 13 is a top view the dental ring of FIG. 8; and,
FIG. 14 is a bottom view the dental ring of FIG. 8.

1 Claim, 8 Drawing Sheets



(56)

References Cited

U.S. PATENT DOCUMENTS

D747,809	S	1/2016	Anderson et al.	
D763,449	S	* 8/2016	Andersen	D24/181
D770,050	S	10/2016	Anderson et al.	
D773,053	S	11/2016	Garrison et al.	
2002/0055084	A1	5/2002	Fischer et al.	
2002/0155410	A1	10/2002	Bills	
2003/0059741	A1	3/2003	Bills	
2003/0113688	A1	6/2003	Weissenfluh	
2003/0129562	A1	7/2003	Mungcal	
2003/0148245	A1	8/2003	Anderson	
2004/0265779	A1	12/2004	McDonald	
2004/0267292	A1	12/2004	Byrum et al.	
2005/0118554	A1	6/2005	Kilcher et al.	
2005/0147941	A1	7/2005	McDonald	
2007/0016231	A1	1/2007	Jambor et al.	
2007/0172793	A1	7/2007	Doenges et al.	
2008/0064004	A1	3/2008	Clark	
2008/0064009	A1	3/2008	Clark	
2009/0208901	A1	8/2009	Doenges et al.	
2011/0311945	A1	12/2011	Bertolotti et al.	
2012/0164594	A1	6/2012	Pieroni et al.	
2013/0004914	A1	1/2013	Marteney et al.	
2013/0226200	A1	8/2013	Kappel et al.	
2013/0252198	A1	9/2013	Boos et al.	
2013/0252199	A1	9/2013	Clark	
2013/0344455	A1	12/2013	Hull et al.	
2014/0242544	A1	8/2014	Anderson et al.	
2015/0216625	A1	8/2015	McDonald	

FOREIGN PATENT DOCUMENTS

FR	2555952	A1	6/1985	
WO	03043521	A1	5/2003	

* cited by examiner

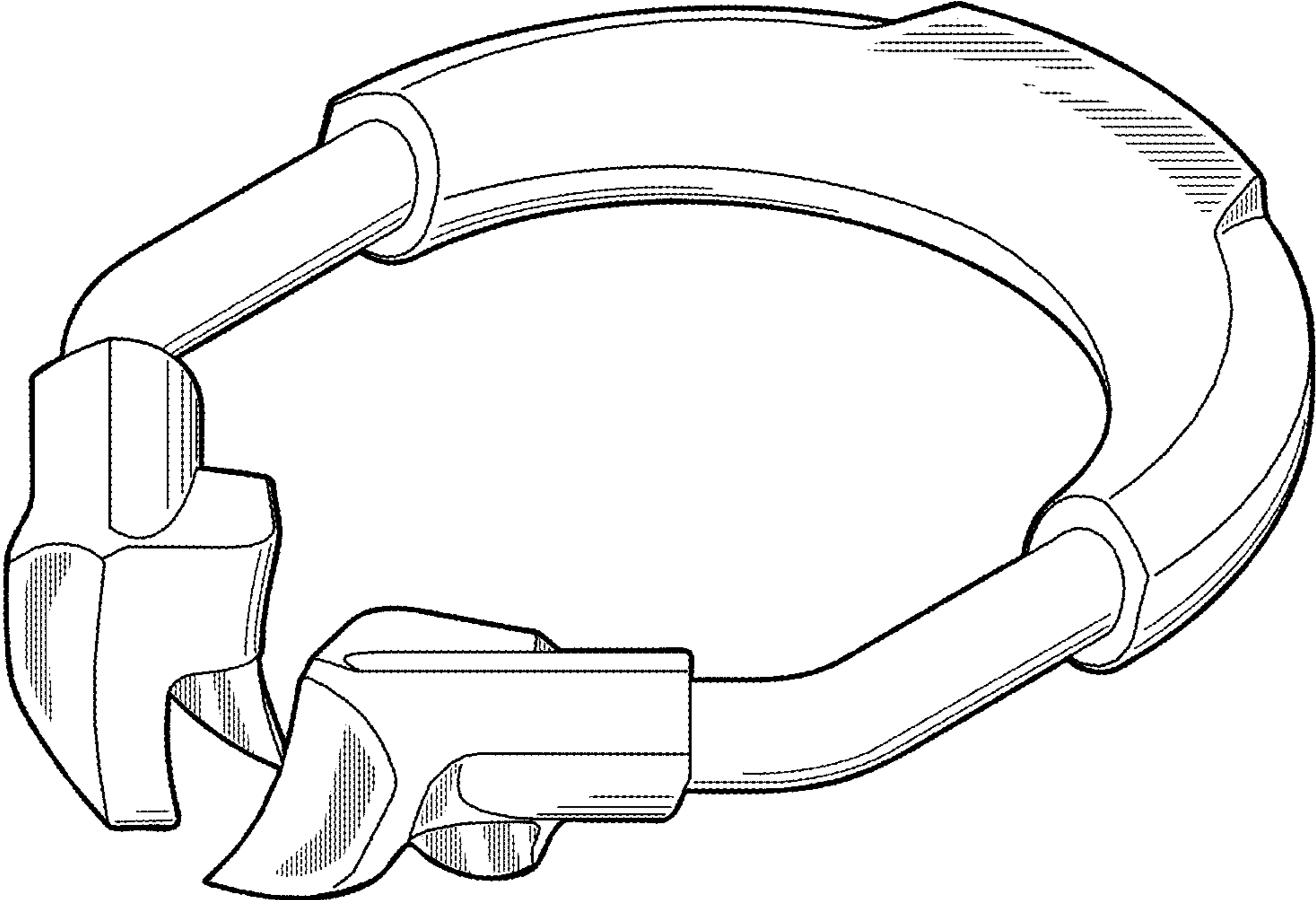


FIG. 1

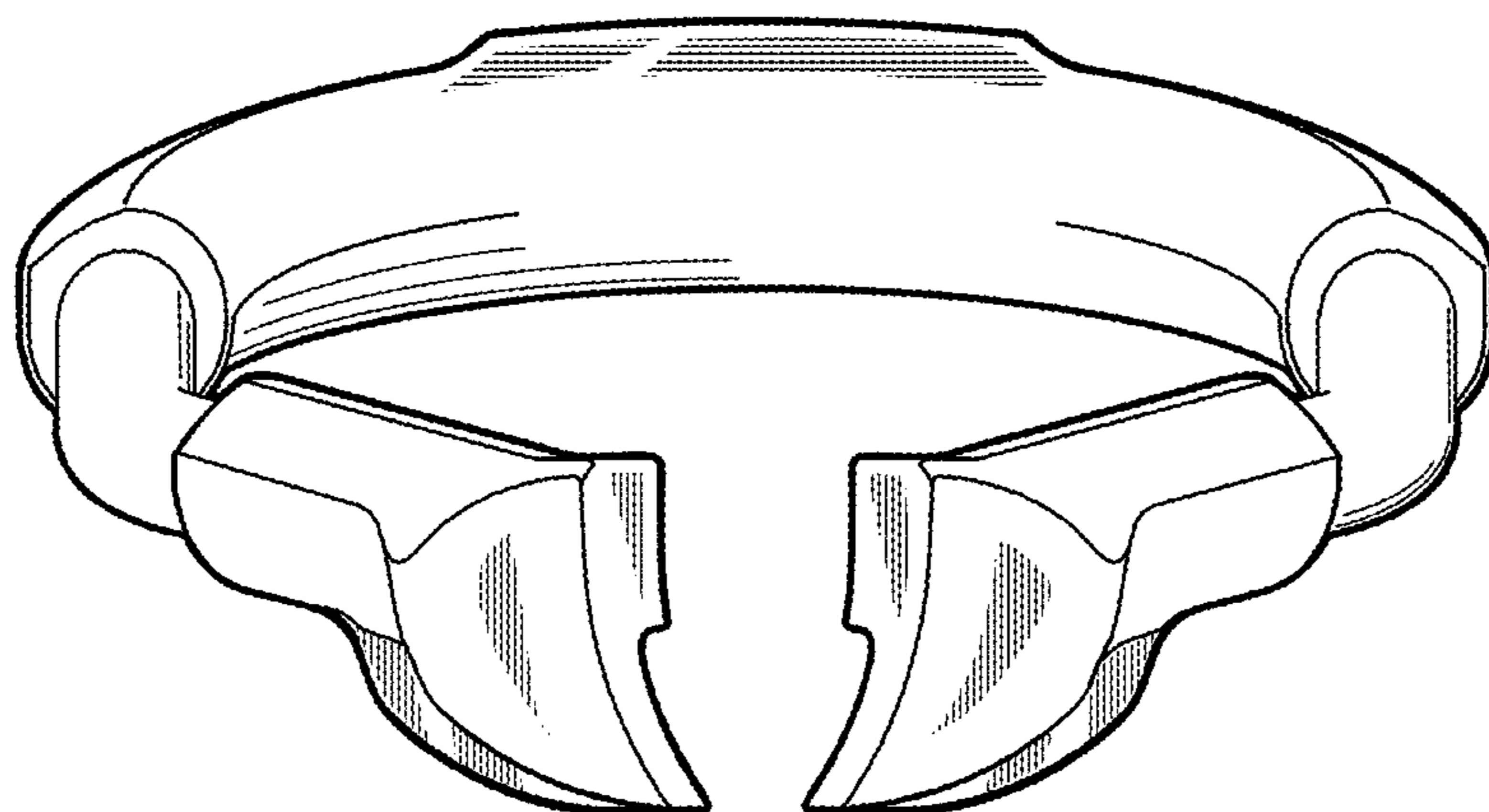


FIG. 2

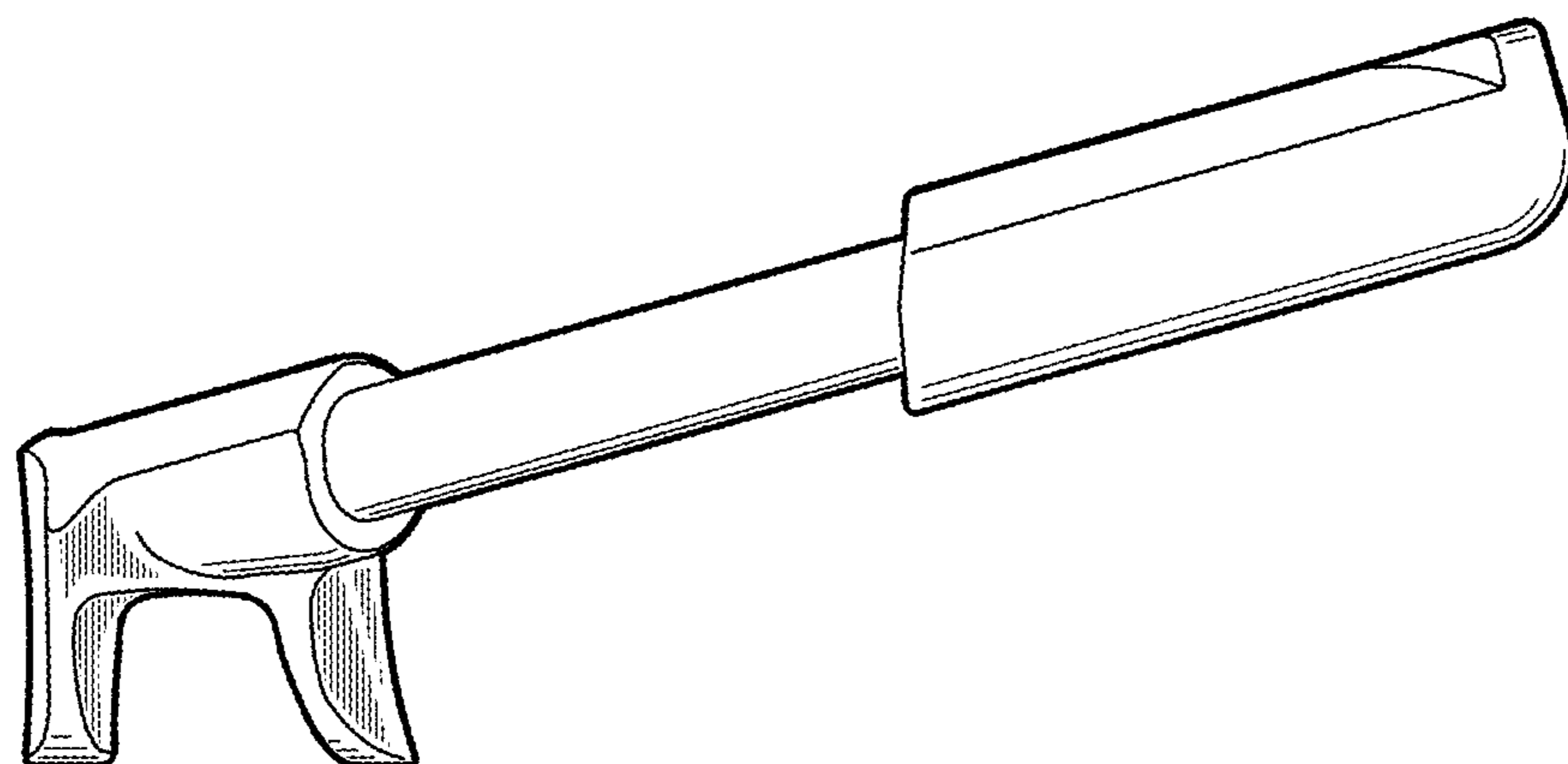


FIG. 3

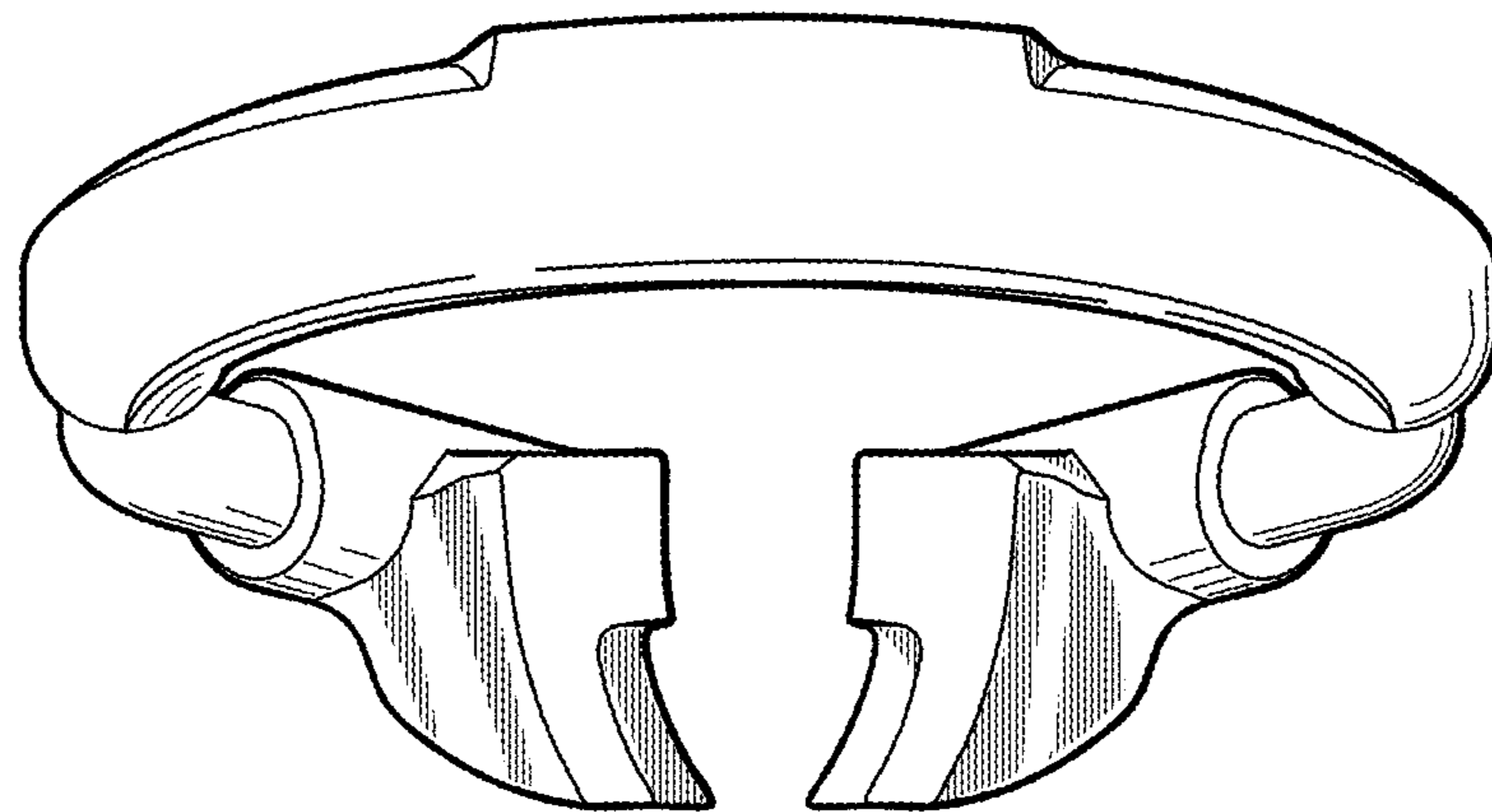


FIG. 4

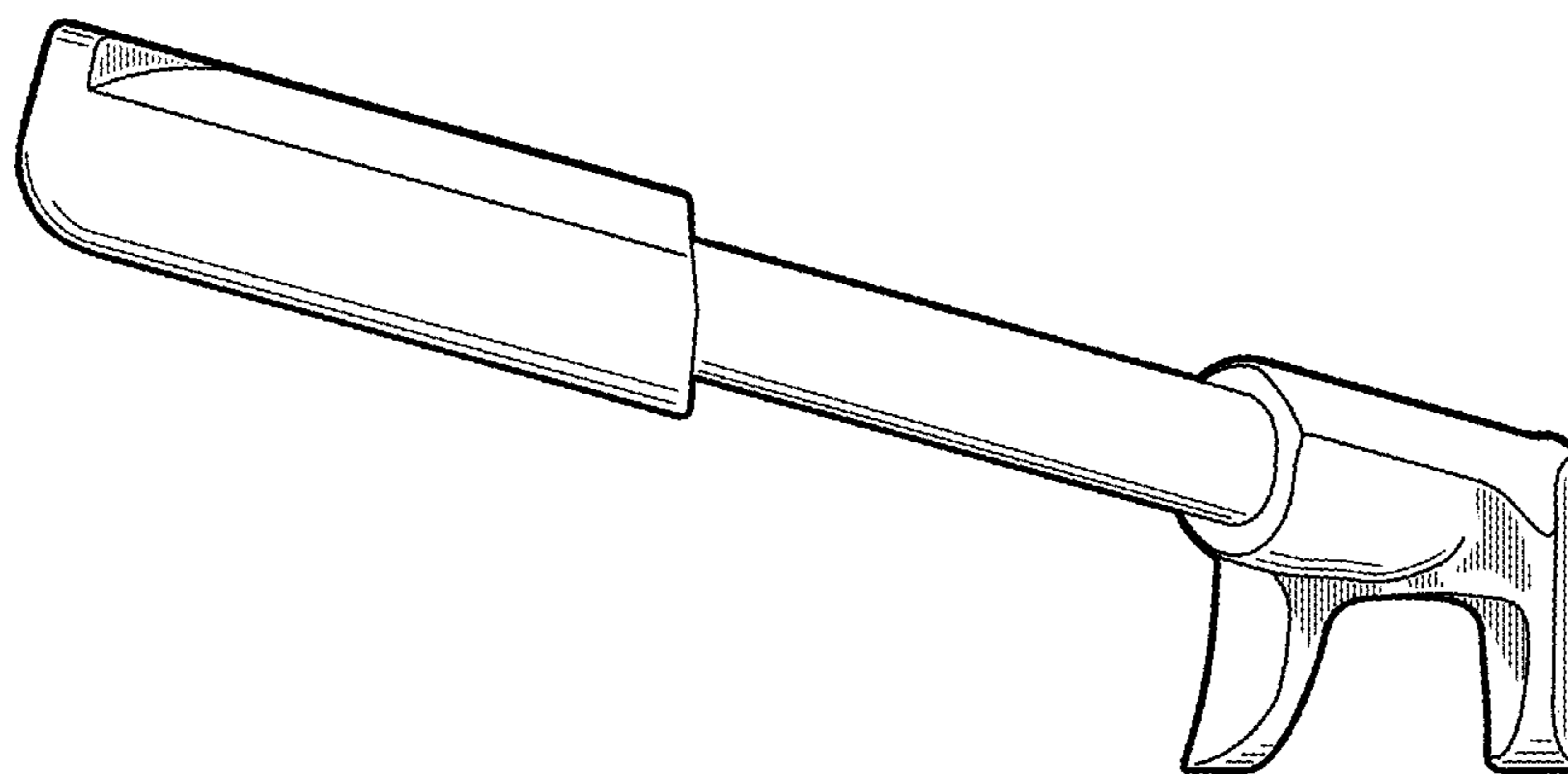
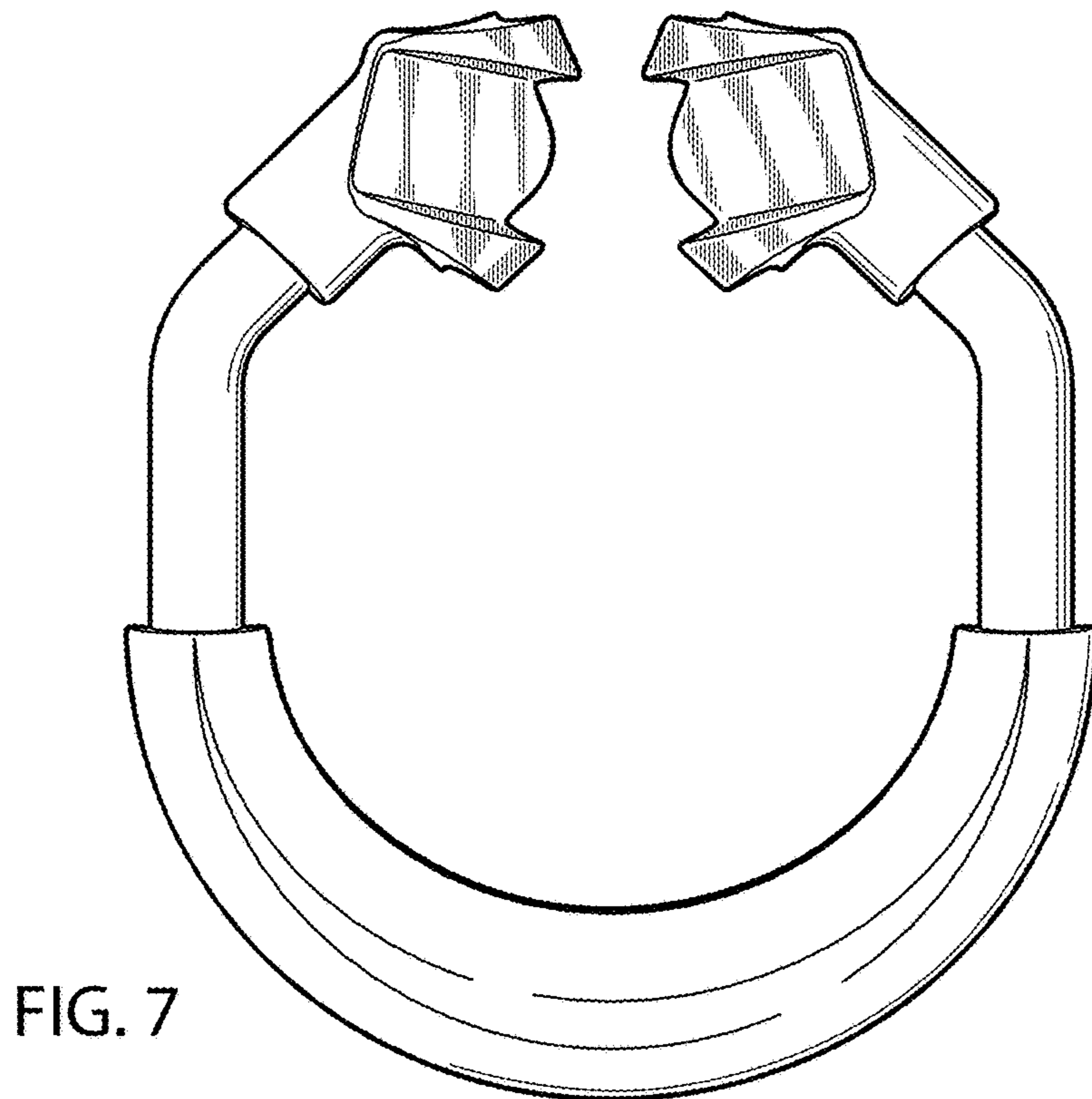
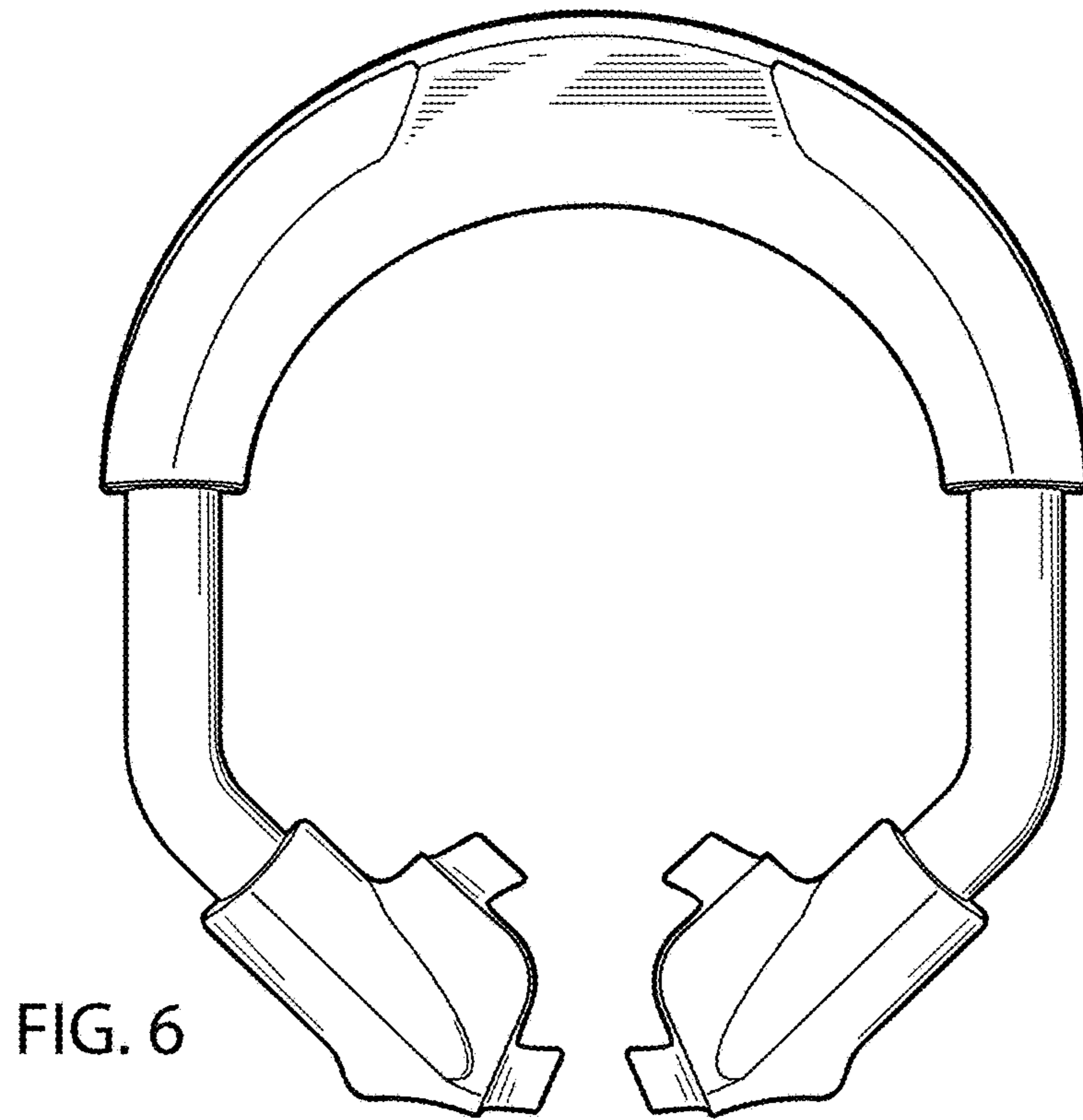


FIG. 5



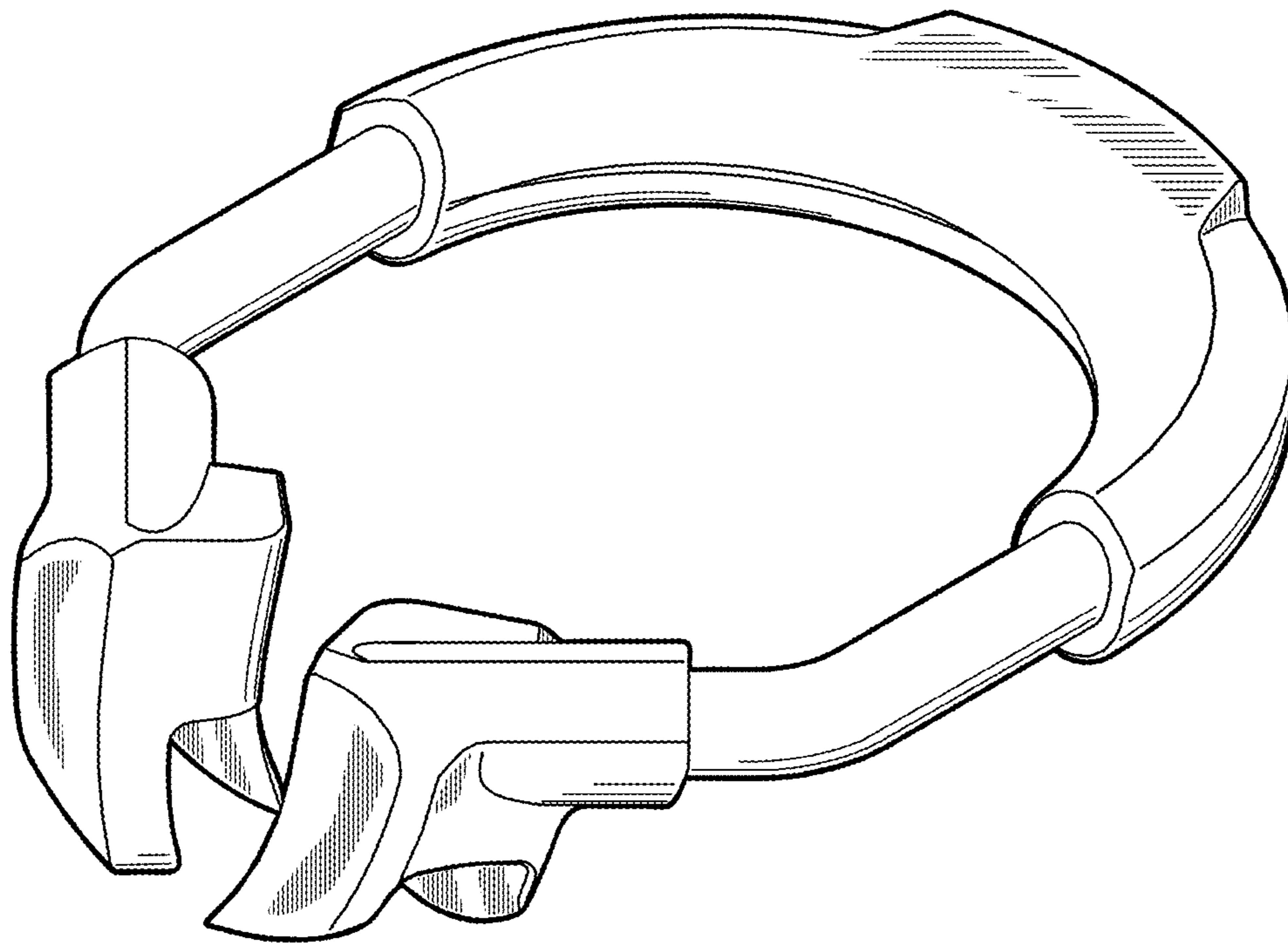


FIG. 8

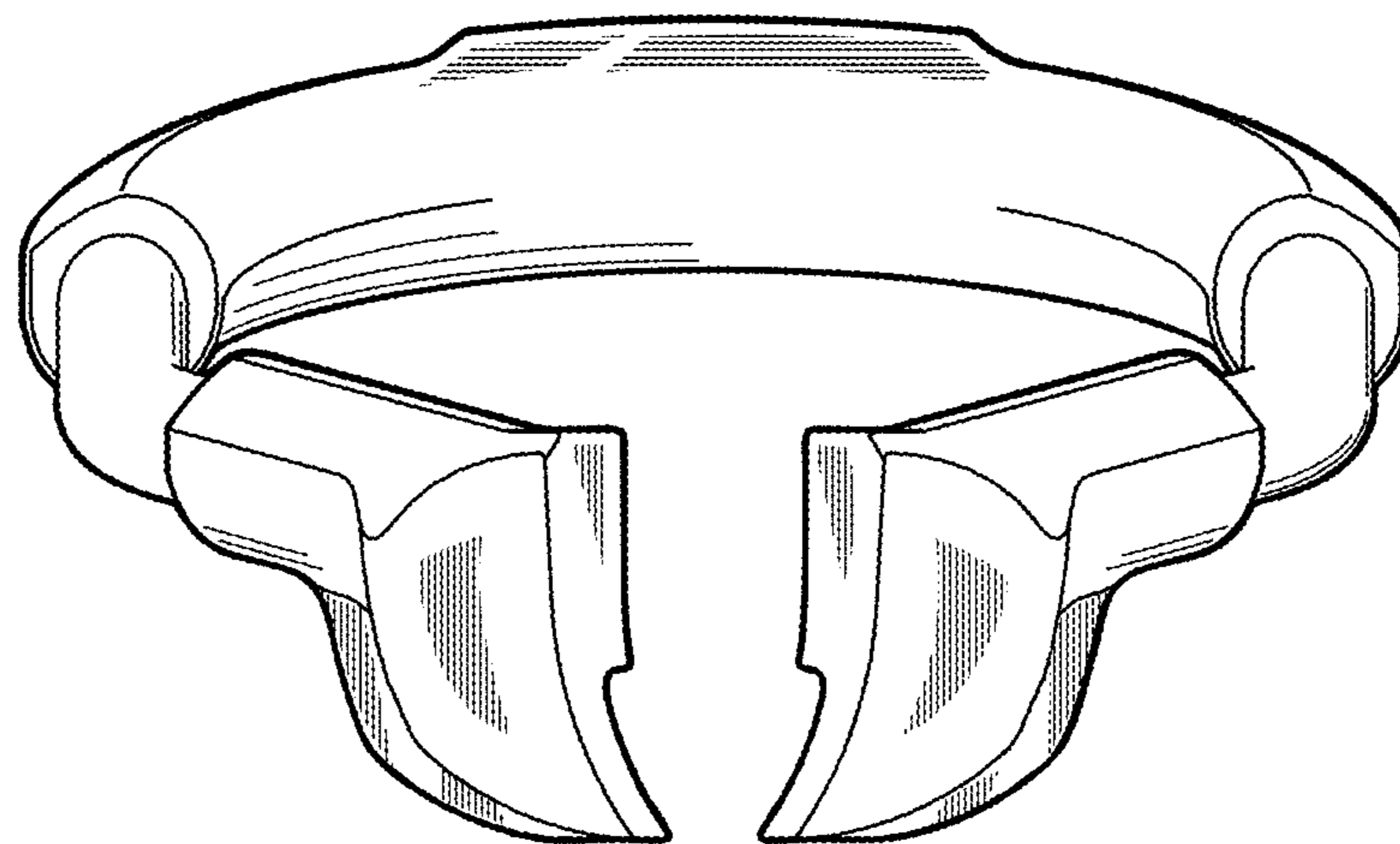


FIG. 9

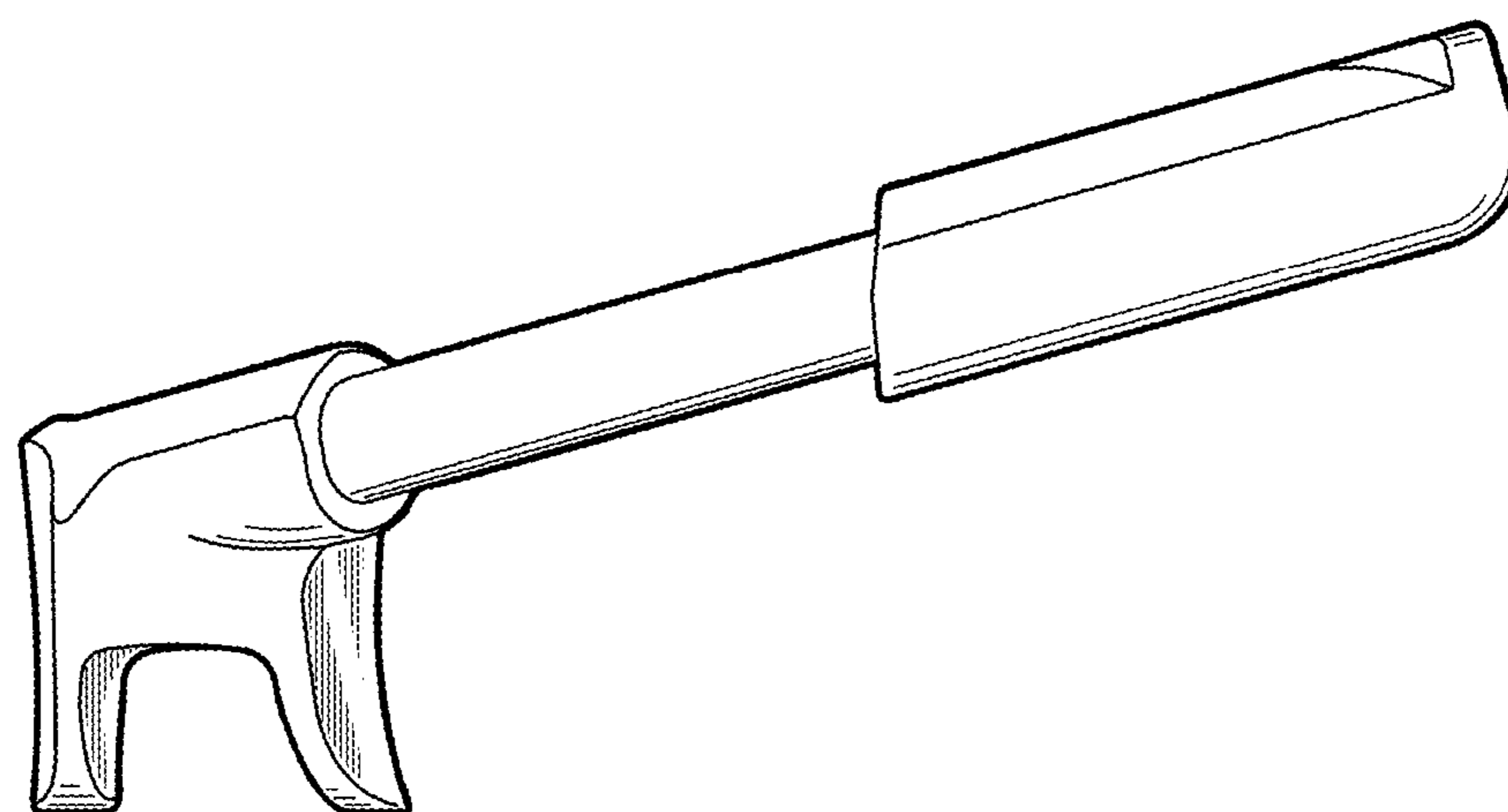


FIG. 10

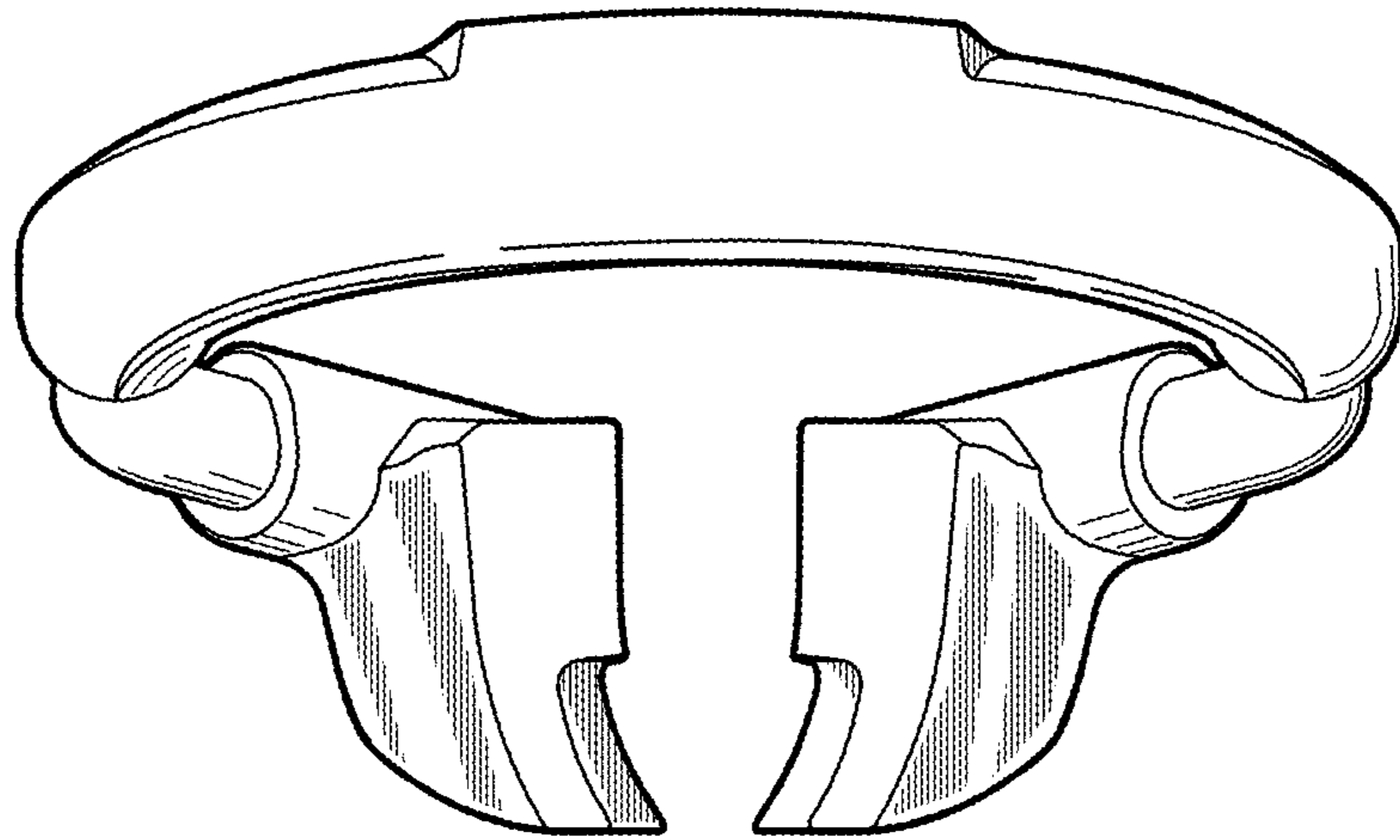


FIG. 11

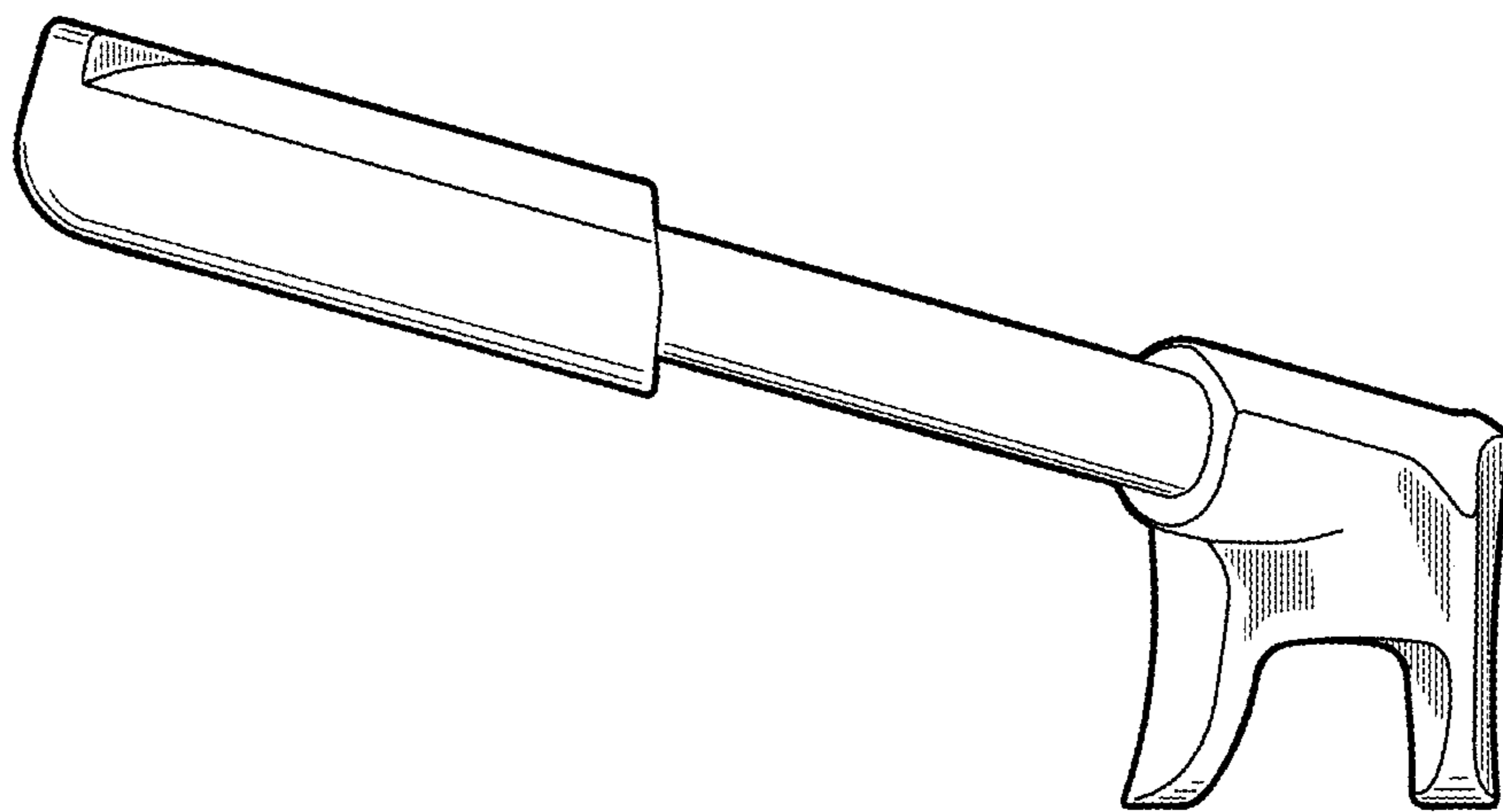


FIG. 12

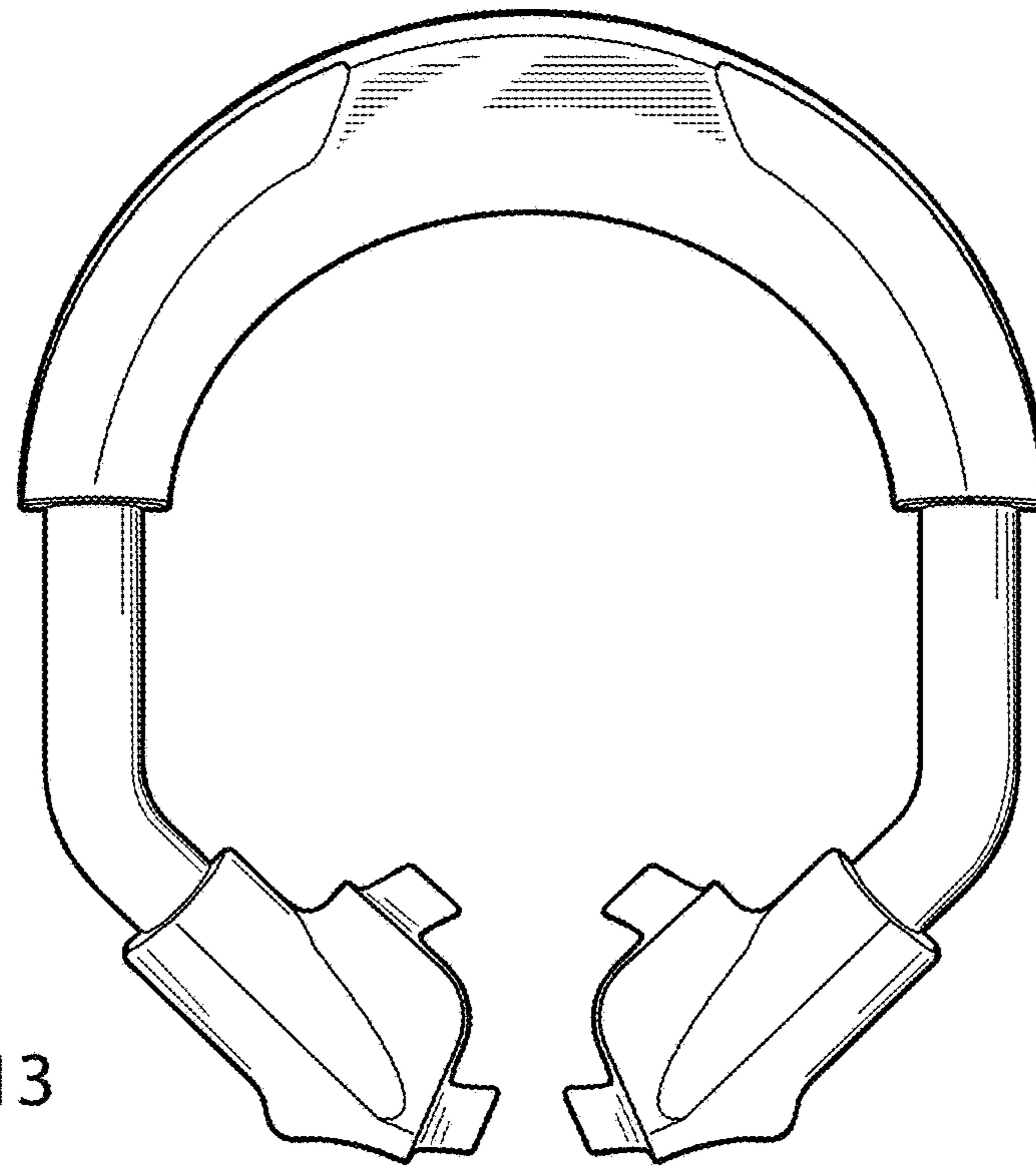


FIG. 13

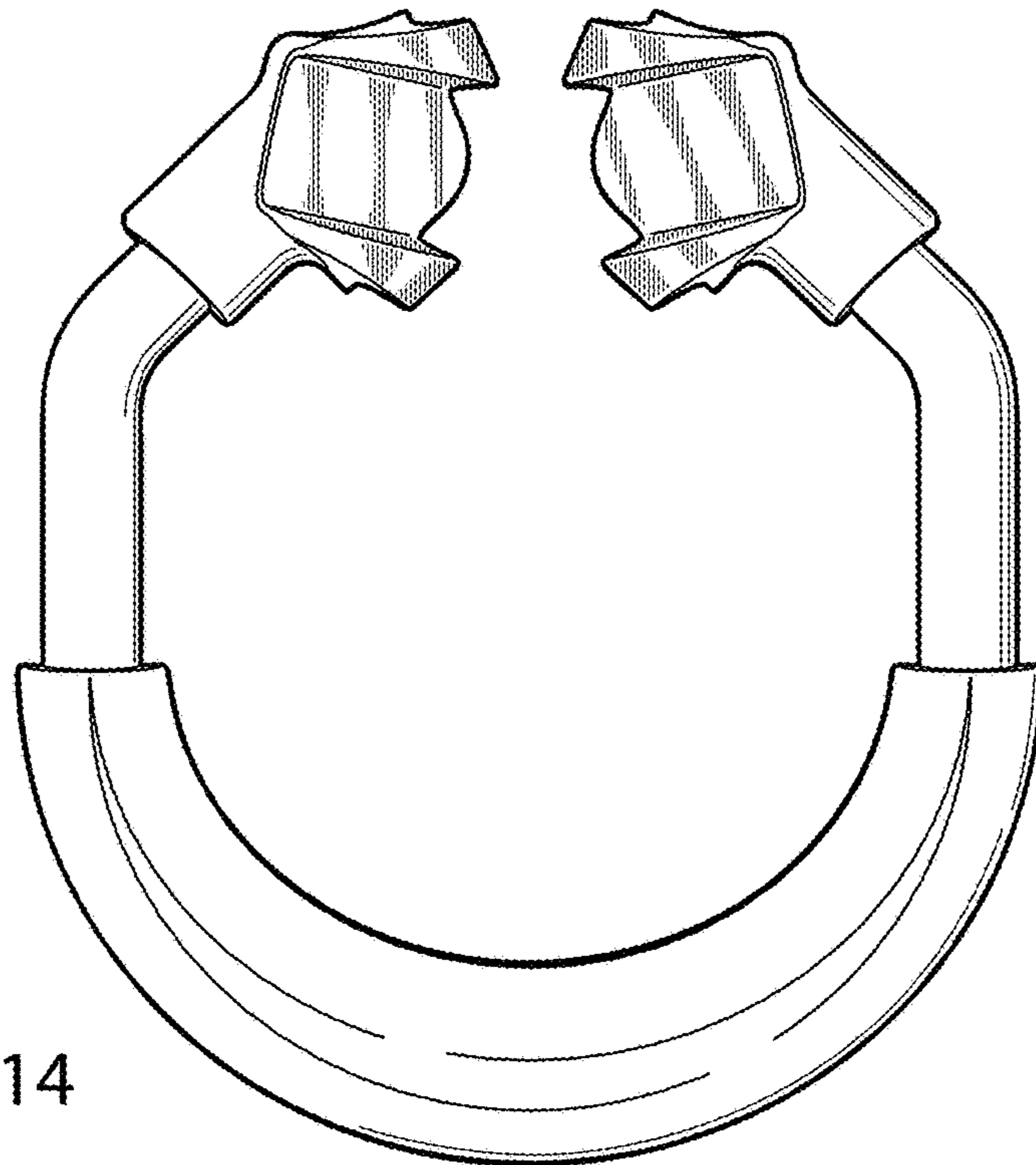


FIG. 14