



US00D822209S

(12) **United States Design Patent**  
**Miwa et al.**

(10) **Patent No.:** **US D822,209 S**  
(45) **Date of Patent:** **\*\* Jul. 3, 2018**

(54) **COVER FOR CANCER CELL OBSERVATION CAMERA**

(71) Applicant: **HAMAMATSU PHOTONICS K.K.**,  
Hamamatsu-shi, Shizuoka (JP)

(72) Inventors: **Mitsuharu Miwa**, Hamamatsu (JP);  
**Takahiro Shikayama**, Hamamatsu (JP)

(73) Assignee: **HAMAMATSU PHOTONICS K.K.**,  
Hamamatsu-shi, Shizuoka (JP)

(\*\*) Term: **15 Years**

(21) Appl. No.: **29/577,571**

(22) Filed: **Sep. 14, 2016**

(30) **Foreign Application Priority Data**

Mar. 15, 2016	(JP)	.....	2016-005639
Mar. 15, 2016	(JP)	.....	2016-005640
Mar. 15, 2016	(JP)	.....	2016-005654
Mar. 15, 2016	(JP)	.....	2016-005655
Mar. 15, 2016	(JP)	.....	2016-005659

(51) **LOC (11) Cl.** ..... **24-01**

(52) **U.S. Cl.**  
USPC ..... **D24/158**

(58) **Field of Classification Search**  
USPC ..... D24/158-160, 186, 107, 137, 185, 187;  
D10/78, 81; D16/218-220

(Continued)

(56) **References Cited**

**U.S. PATENT DOCUMENTS**

3,609,355 A *	9/1971	Schwarzer	.....	A61B 6/502
				378/180
D244,059 S *	4/1977	De Lucia	.....	D10/104.1

(Continued)

*Primary Examiner* — Anhdao Doan

(74) *Attorney, Agent, or Firm* — Drinker Biddle & Reath LLP

(57) **CLAIM**

The ornamental design for a cover for cancer cell observation camera, as shown and described.

**DESCRIPTION**

FIG. 1 is a front view of a first embodiment of a cover for cancer cell observation camera of the present invention.

FIG. 2 is a rear view of the cover for cancer cell observation camera of FIG. 1.

FIG. 3 is a top plan view of the cover for cancer cell observation camera of FIG. 1.

FIG. 4 is a bottom plan view of the cover for cancer cell observation camera of FIG. 1.

FIG. 5 is a right side view of the cover for cancer cell observation camera of FIG. 1.

FIG. 6 is a left side view of the cover for cancer cell observation camera of FIG. 1.

FIG. 7 is a perspective view showing the top of the cover for cancer cell observation camera of FIG. 1.

FIG. 8 is a perspective view showing the bottom of the cover for cancer cell observation camera of FIG. 1.

FIG. 9 is a sectional view taken along line 9-9 of FIG. 1.

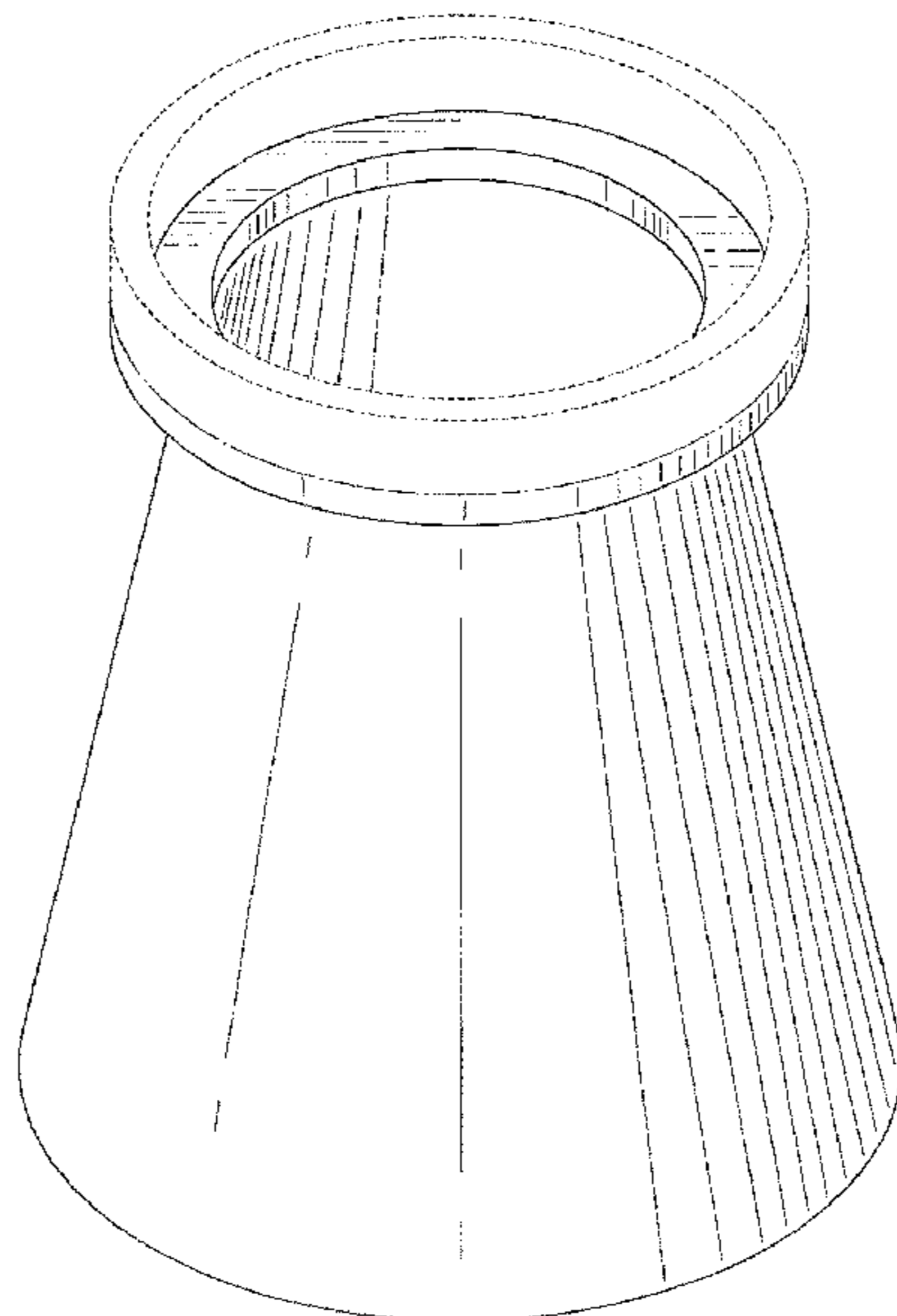
FIG. 10 is an enlarged view showing a portion of FIG. 9 defined by line 10-10.

FIG. 11 is a perspective view showing the bottom of the cover for cancer cell observation camera of FIG. 1 in a state of use; and,

FIG. 12 is a perspective view showing the top of the cover for cancer cell observation camera of FIG. 1 in a state of use.

The dot-dash lines represent the bounds of the claim, while all other broken lines are directed to environment and are for illustrative purposes only. The broken lines form no part of the claimed design.

**1 Claim, 12 Drawing Sheets**



(58) **Field of Classification Search**

CPC ... A61B 5/0059; A61B 5/0066; A61B 5/0071;  
A61B 5/0077; A61B 5/445; A61B  
2562/0233; G01N 21/6456; G01N  
21/6458; G01N 21/631; G21K 2201/06;  
G21K 2201/067

See application file for complete search history.

(56) **References Cited**

U.S. PATENT DOCUMENTS

4,912,737 A \* 3/1990 Ohsuka ..... G21K 7/00  
378/43  
D417,818 S \* 12/1999 Lillelund ..... D7/503  
D447,760 S \* 9/2001 Lantz ..... D16/219  
D666,445 S \* 9/2012 Tharp ..... D6/567  
D669,587 S \* 10/2012 Mayer ..... D24/158  
D676,554 S \* 2/2013 Moon ..... D24/158  
D683,019 S \* 5/2013 Shahidi Bonjar ..... D24/133  
D737,450 S \* 8/2015 Abelson ..... D24/172  
2013/0030306 A1 \* 1/2013 Yamanaka ..... A61B 5/14546  
600/477  
2014/0303496 A1 \* 10/2014 Hasegawa ..... A61B 5/0261  
600/431  
2017/0215733 A1 \* 8/2017 Mak ..... A61B 5/0066

\* cited by examiner

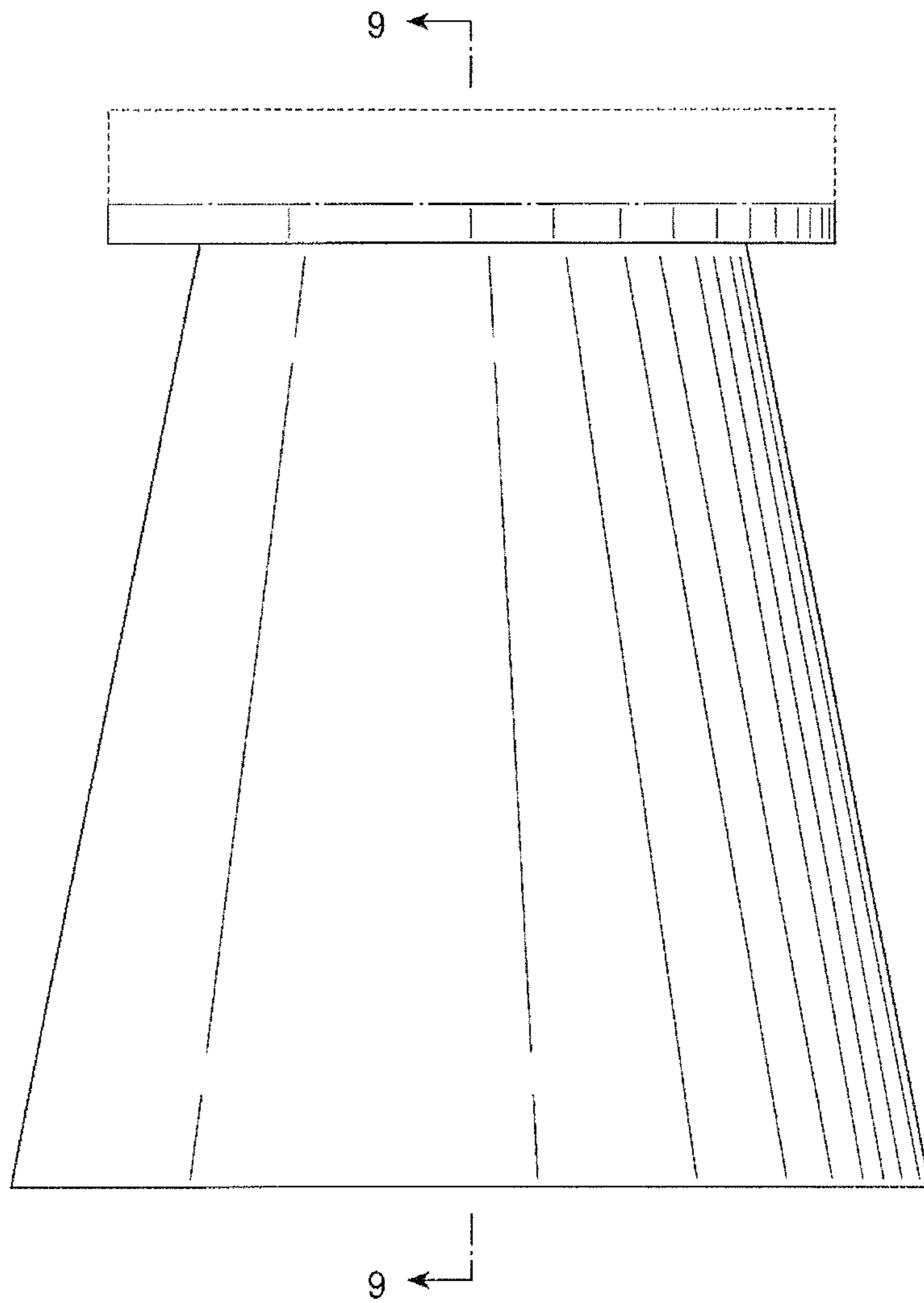


FIGURE 1

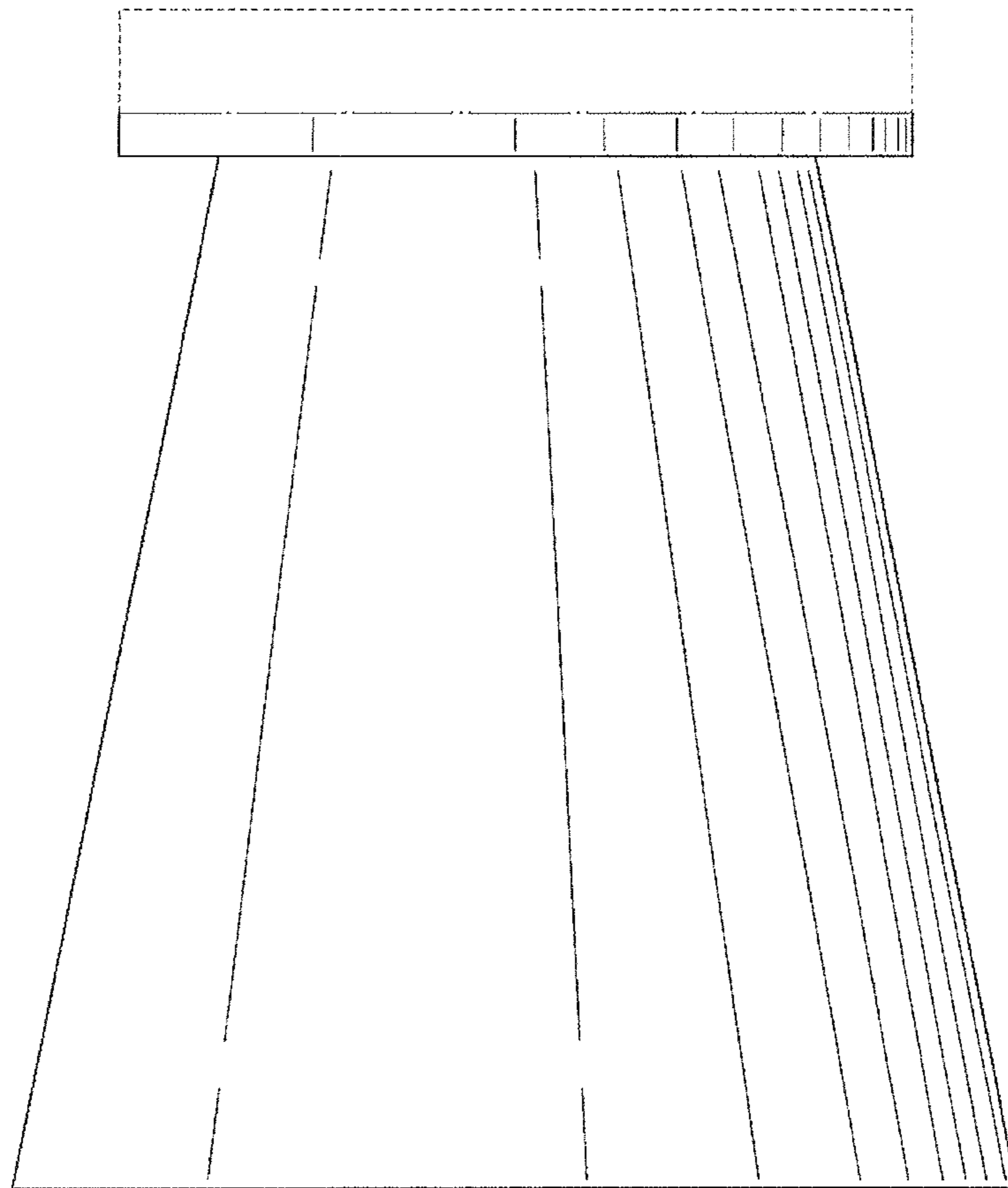


FIGURE 2

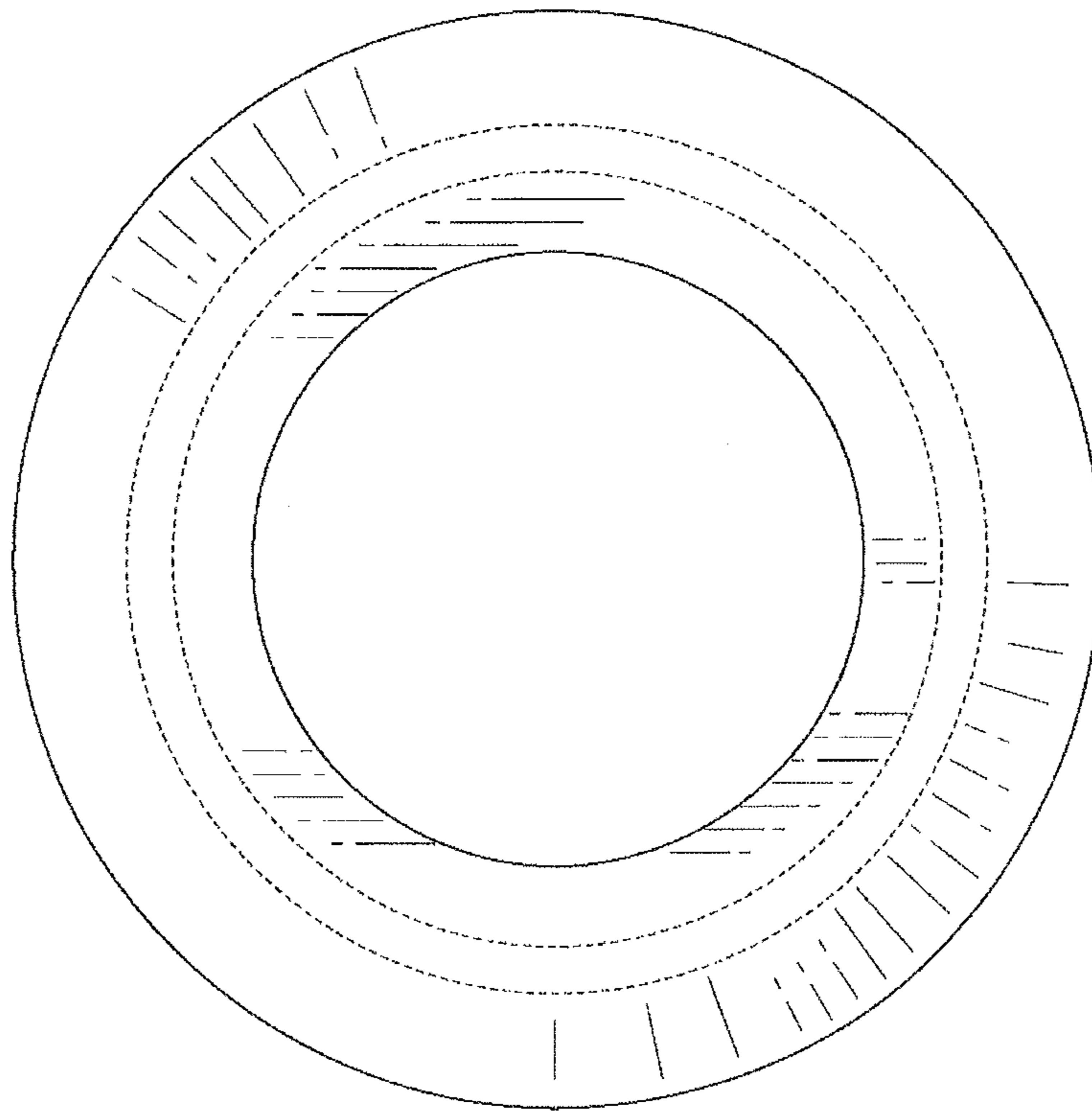


FIGURE 3

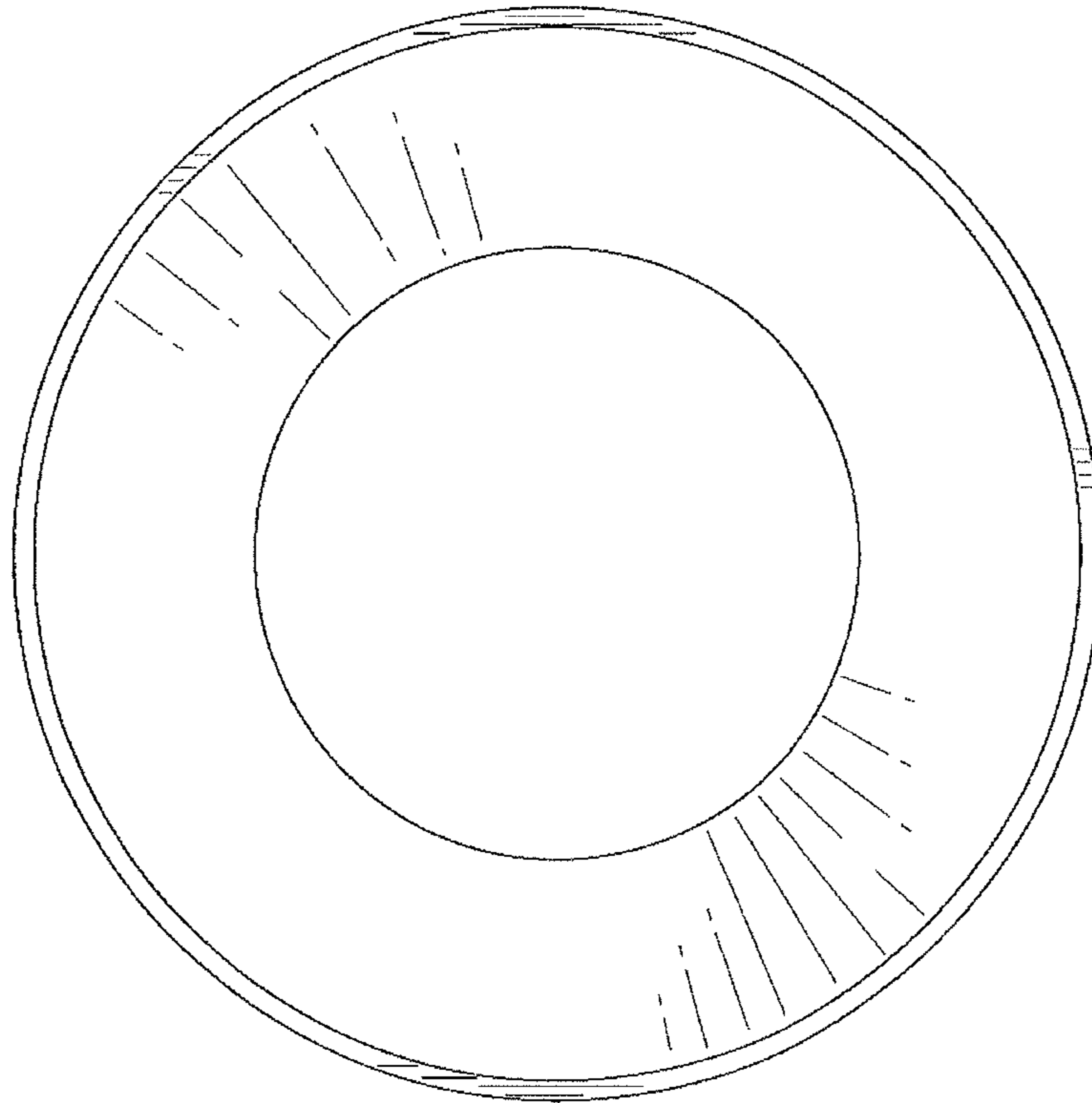


FIGURE 4

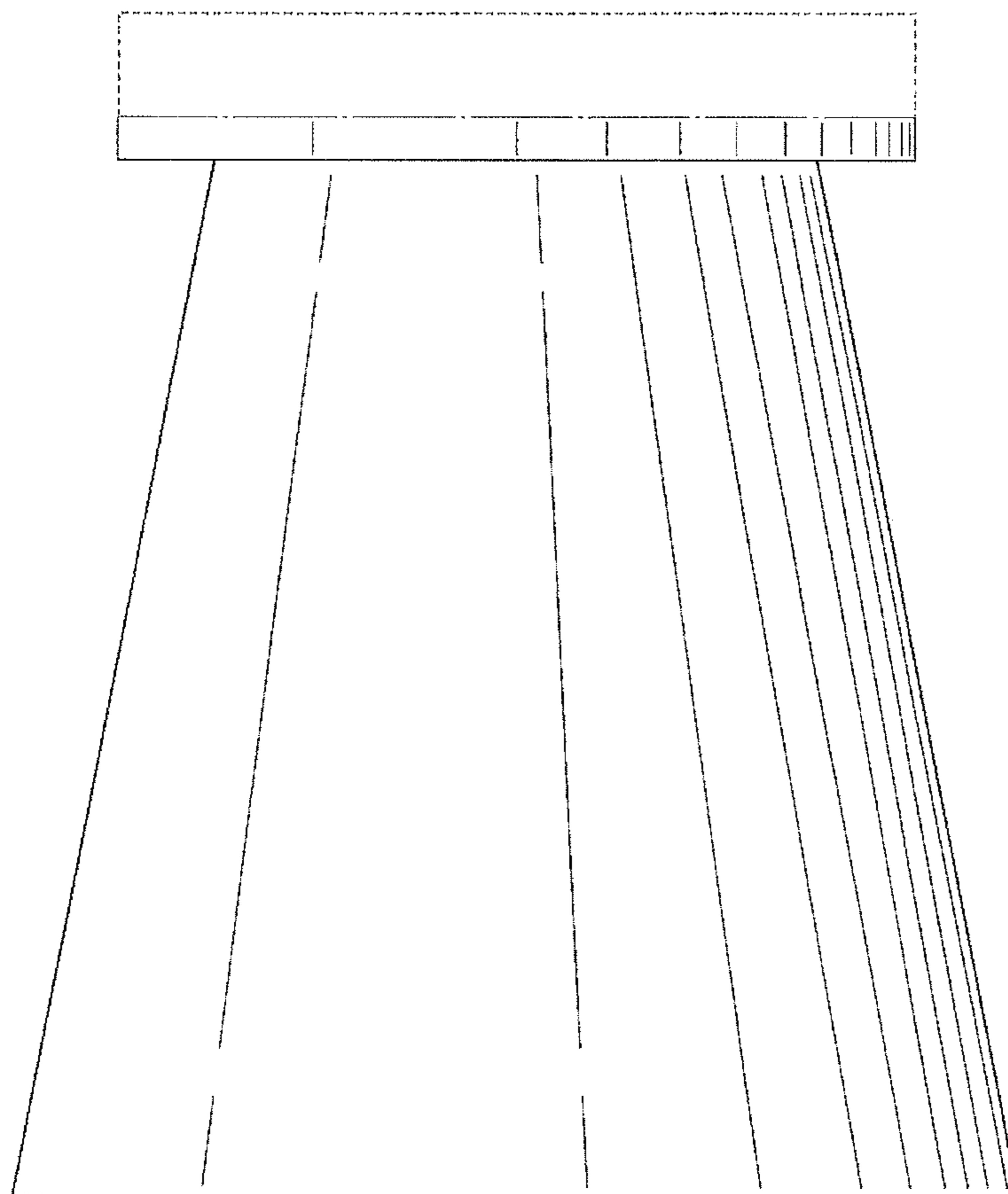


FIGURE 5



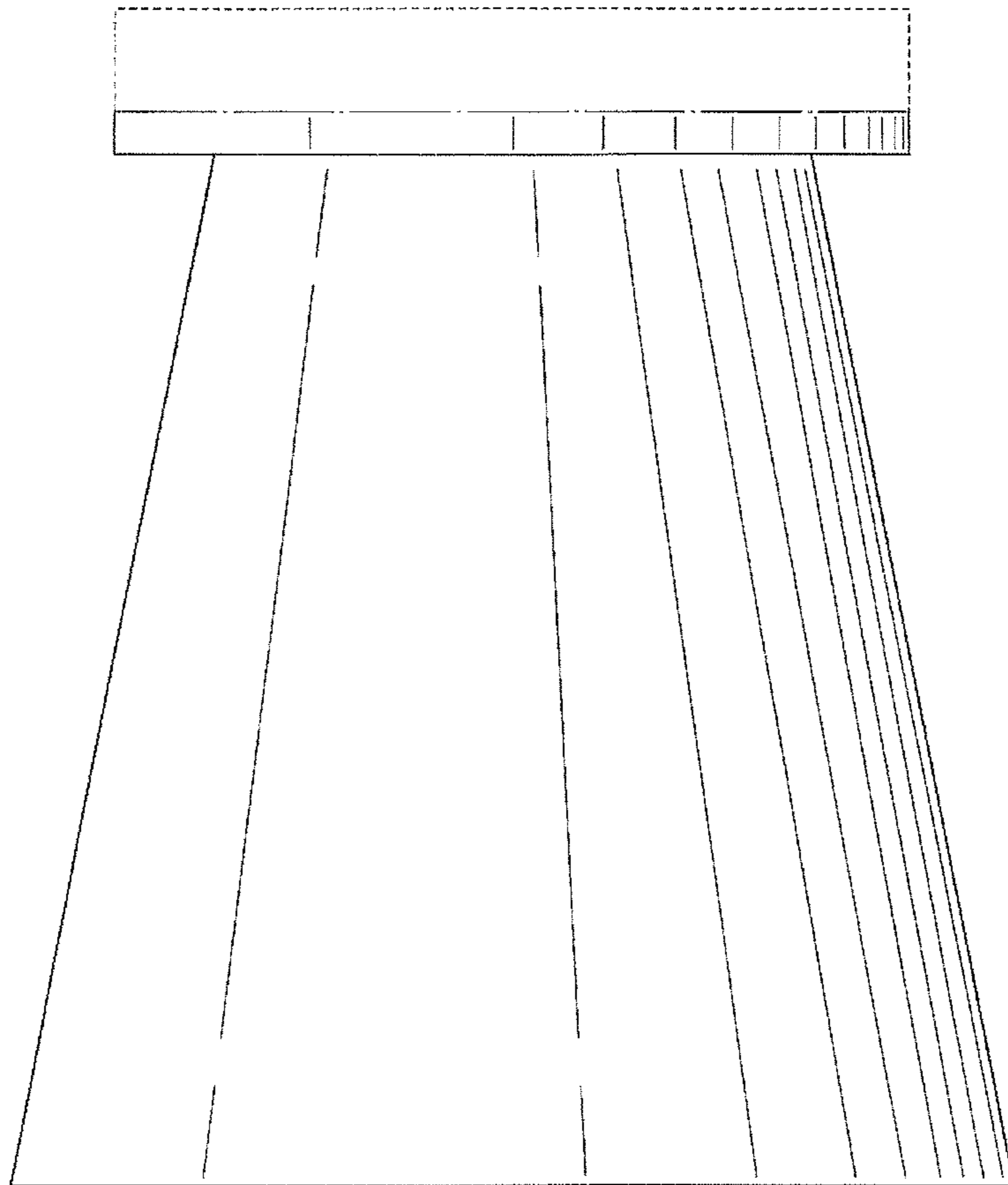


FIGURE 6



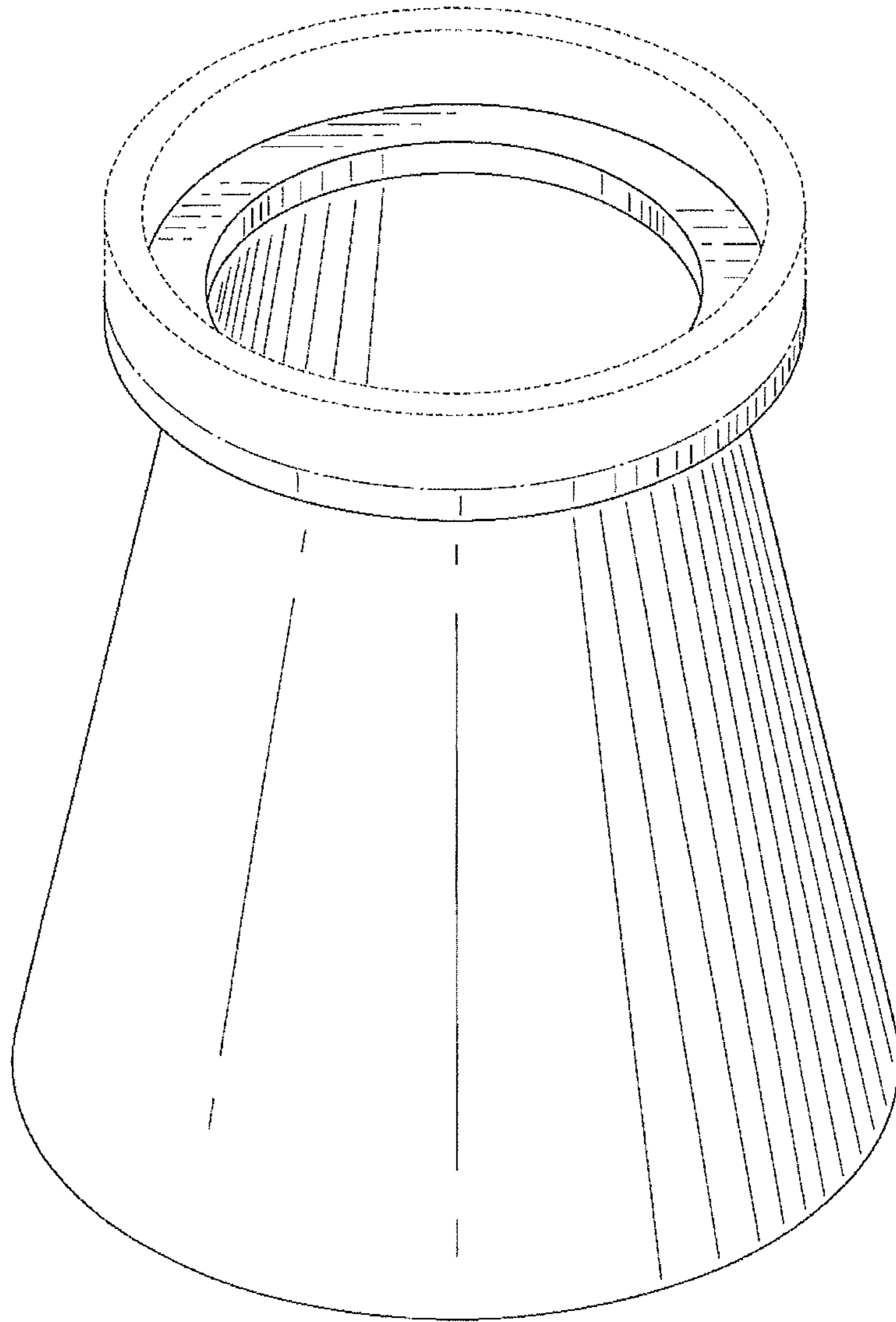


FIGURE 7

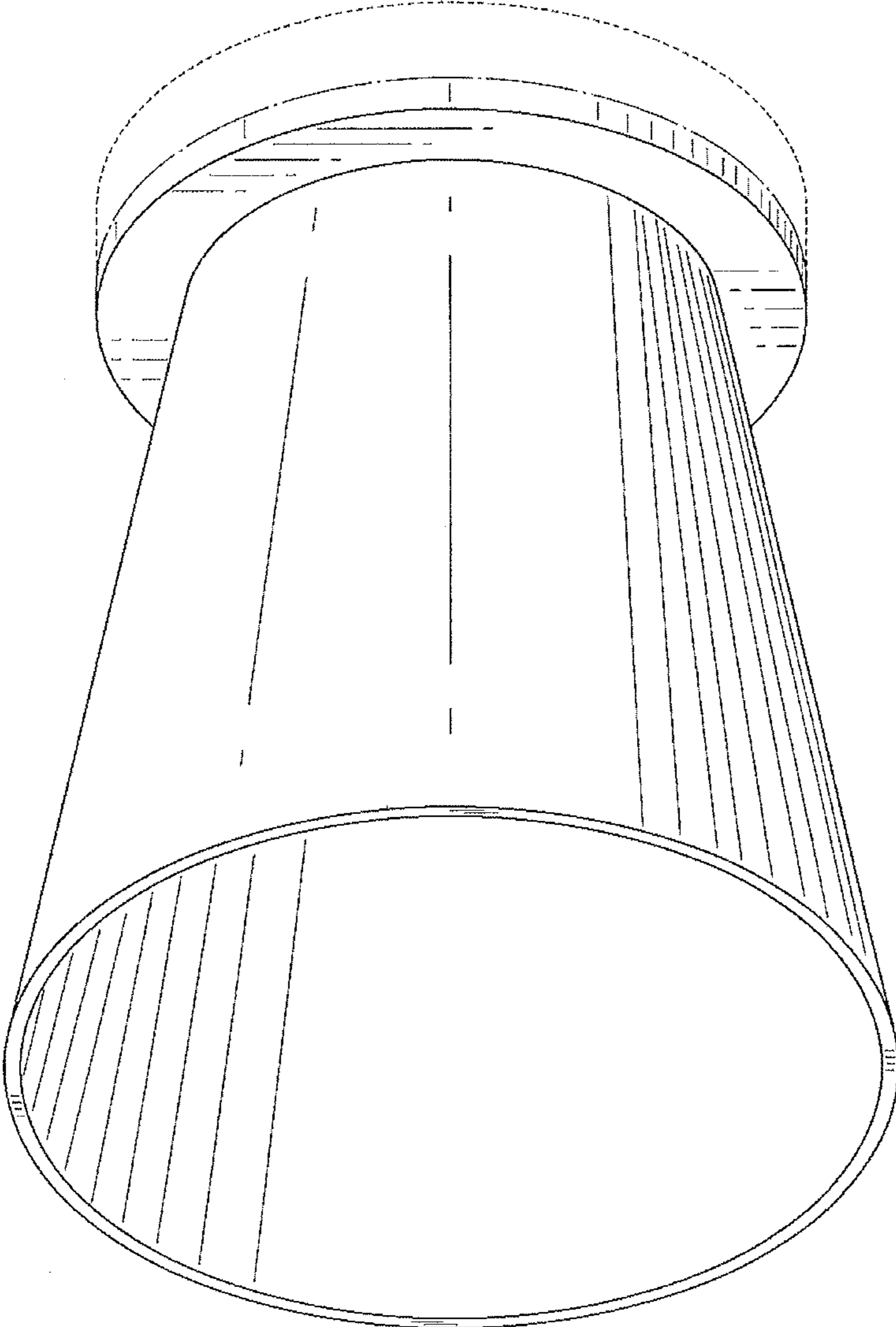


FIGURE 8

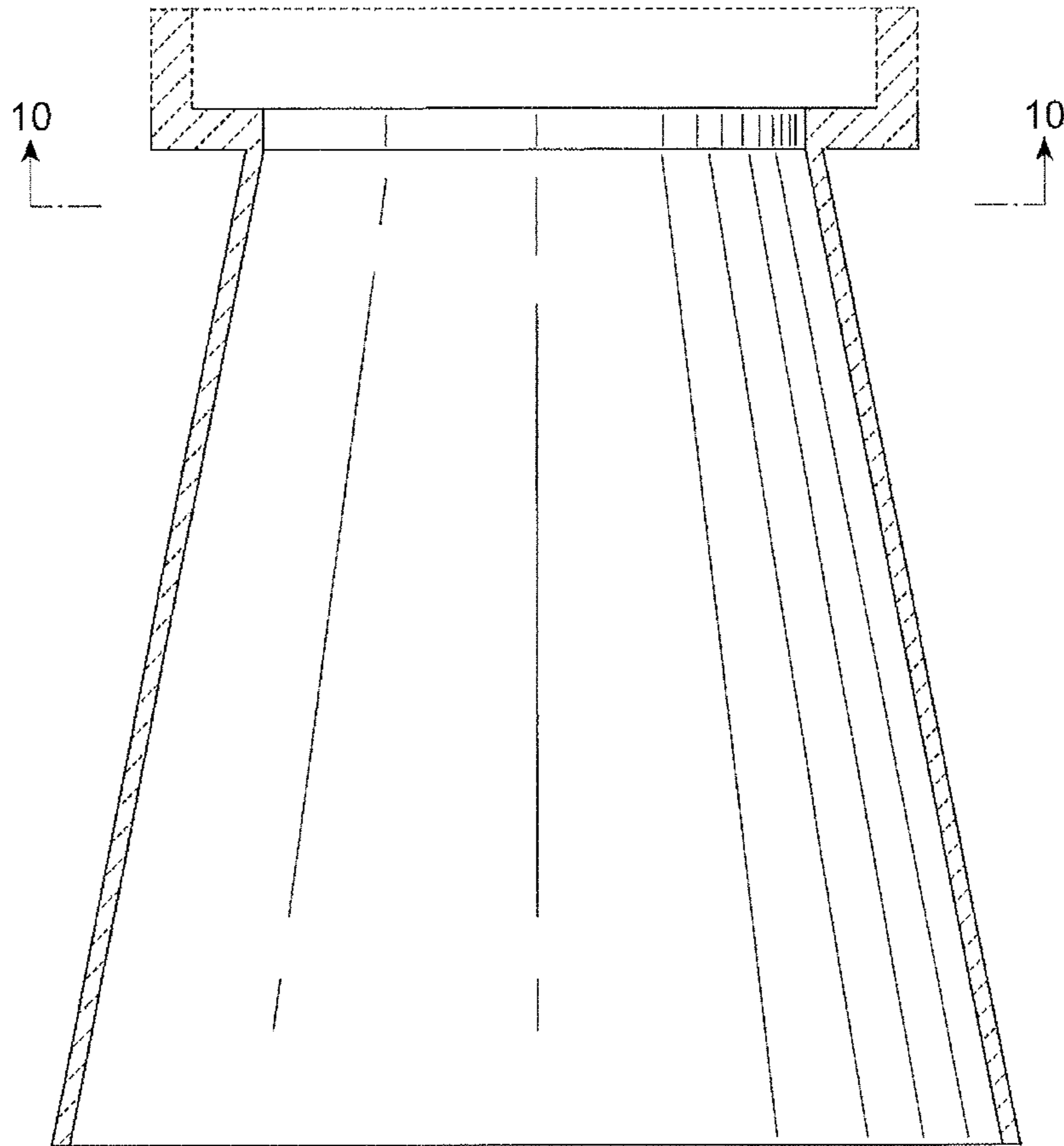


FIGURE 9

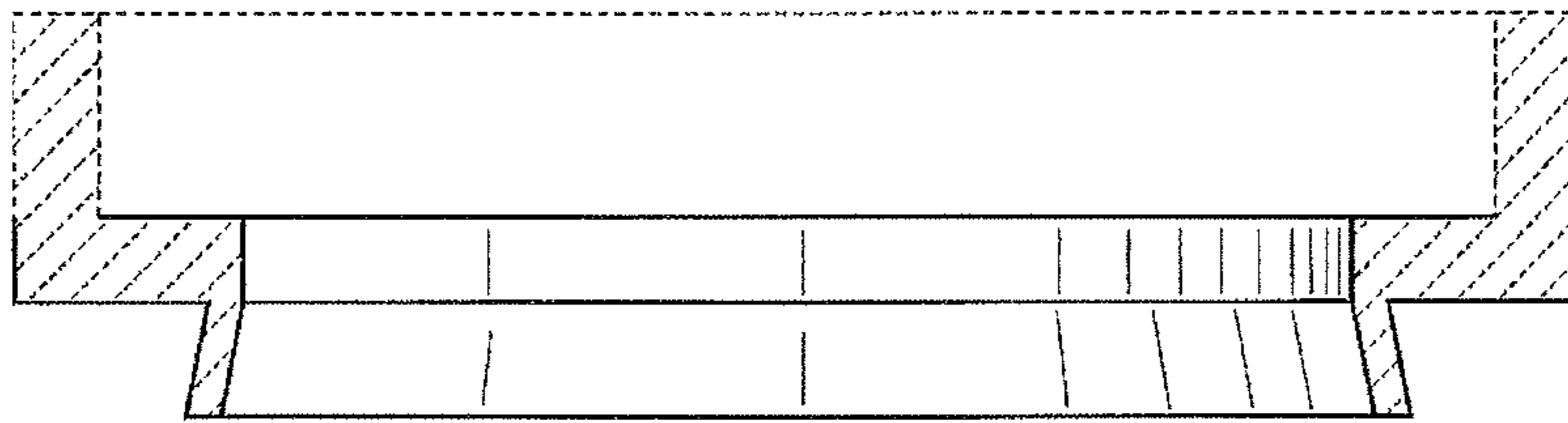


FIGURE 10

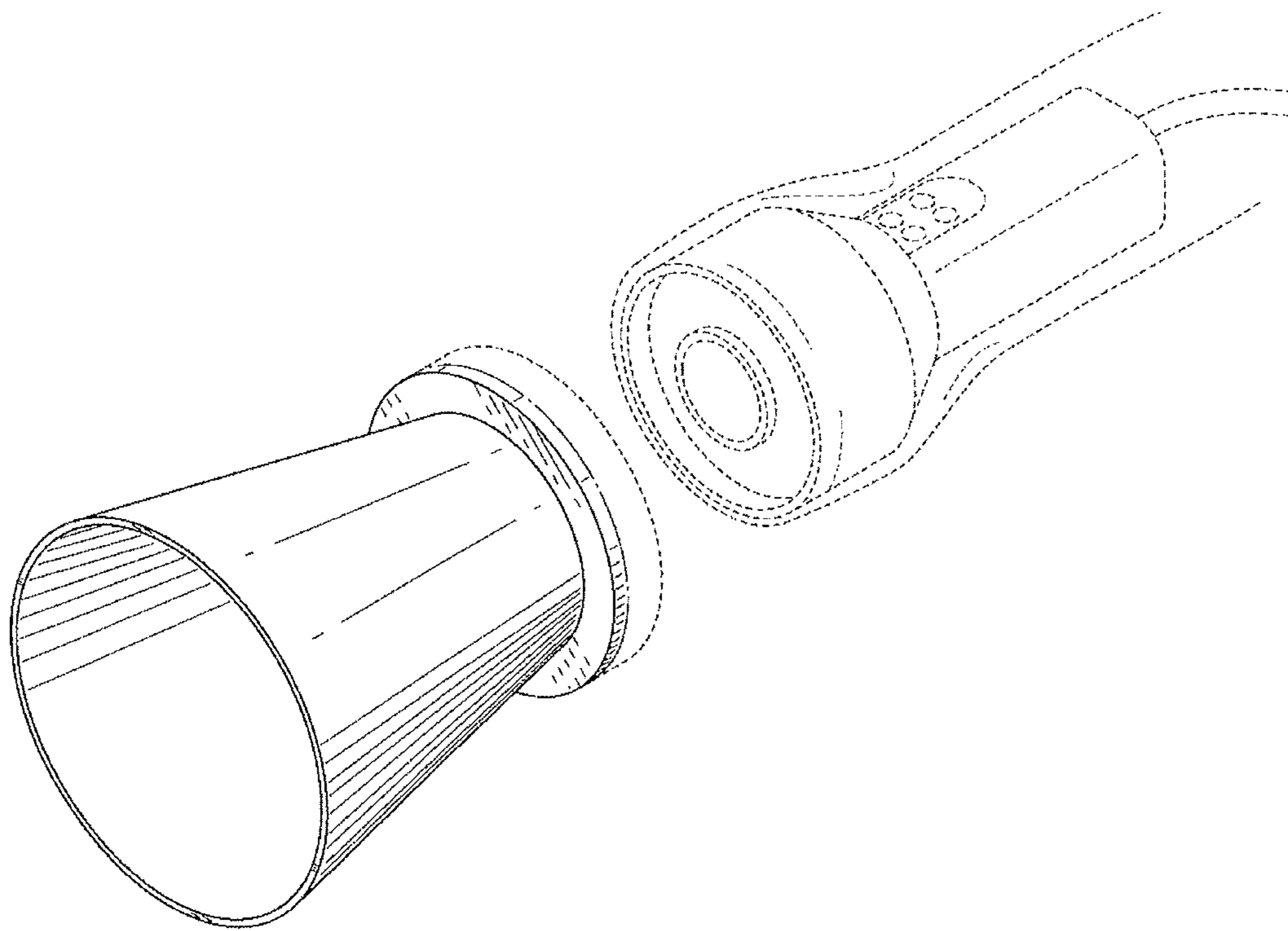


FIGURE 11

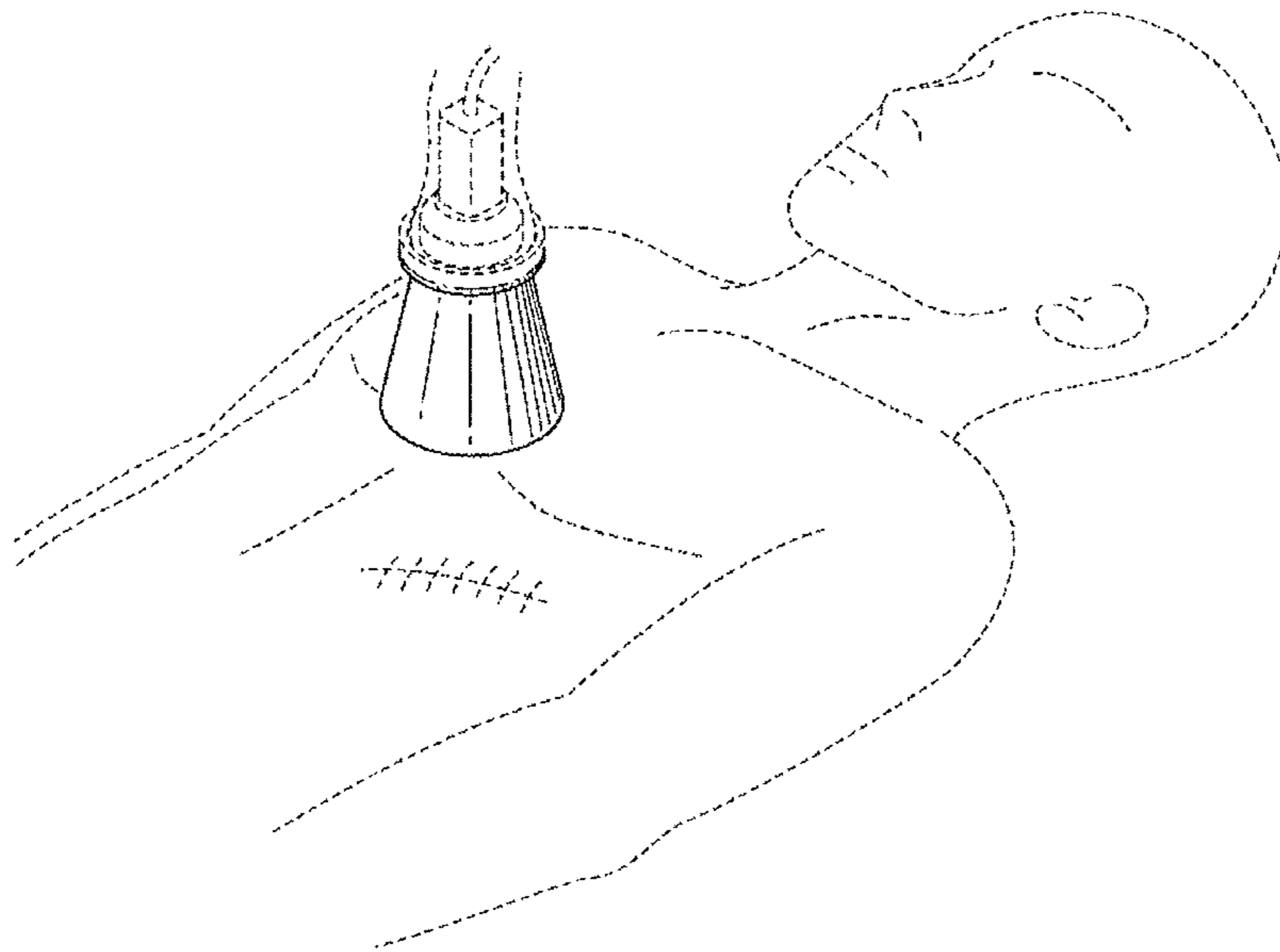


FIGURE 12