



US00D822207S

(12) **United States Design Patent**  
**Botzer et al.**

(10) **Patent No.:** **US D822,207 S**  
(45) **Date of Patent:** **\*\* Jul. 3, 2018**

- (54) **FRENULUM EXERCISING TOOL**
- (71) Applicant: **Bam Medical Ltd.**, Netanya (IL)
- (72) Inventors: **Eyal Botzer**, Ramat Hasharon (IL); **Or Agassi**, Tel Aviv (IL); **Reuven Marko**, Netanya (IL); **Avishay Keren**, Mishmeret (IL)
- (73) Assignee: **Bam Medical Ltd.**, Netanya (IL)
- (\*\*) Term: **15 Years**
- (21) Appl. No.: **29/595,949**
- (22) Filed: **Mar. 3, 2017**
- (51) **LOC (11) Cl.** ..... **24-02**
- (52) **U.S. Cl.**  
USPC ..... **D24/152**
- (58) **Field of Classification Search**  
USPC ..... D24/152, 176, 180–181, 135–136;  
600/240  
CPC ..... A63B 23/032; A61B 17/24; A61C 7/36  
See application file for complete search history.

6,607,549 B2 *	8/2003	Huang	.....	A63B 23/032 482/11
6,618,627 B2	9/2003	Lattner et al.		
6,851,430 B2	2/2005	Tsou		
6,896,681 B1	5/2005	Watson		
D615,203 S *	5/2010	Hirsch	.....	A61C 17/04 D24/152
8,356,598 B2	1/2013	Rumsey		
9,498,240 B1 *	11/2016	Godley	.....	A61B 17/24
2006/0166161 A1	7/2006	Rose et al.		
2010/0147315 A1	6/2010	Chodorow		
2010/0211150 A1	8/2010	Arx		
2015/0265267 A1	9/2015	Tran et al.		
2016/0022024 A1 *	1/2016	Vetter	.....	A61B 17/24 324/707
2016/0302809 A1 *	10/2016	Botzer	.....	A61B 17/24

\* cited by examiner

*Primary Examiner* — Wan Laymon

(74) *Attorney, Agent, or Firm* — M&B IP Analysts, LLC

(57) **CLAIM**

We claim the ornamental design for a frenulum exercising tool, as shown and described.

**DESCRIPTION**

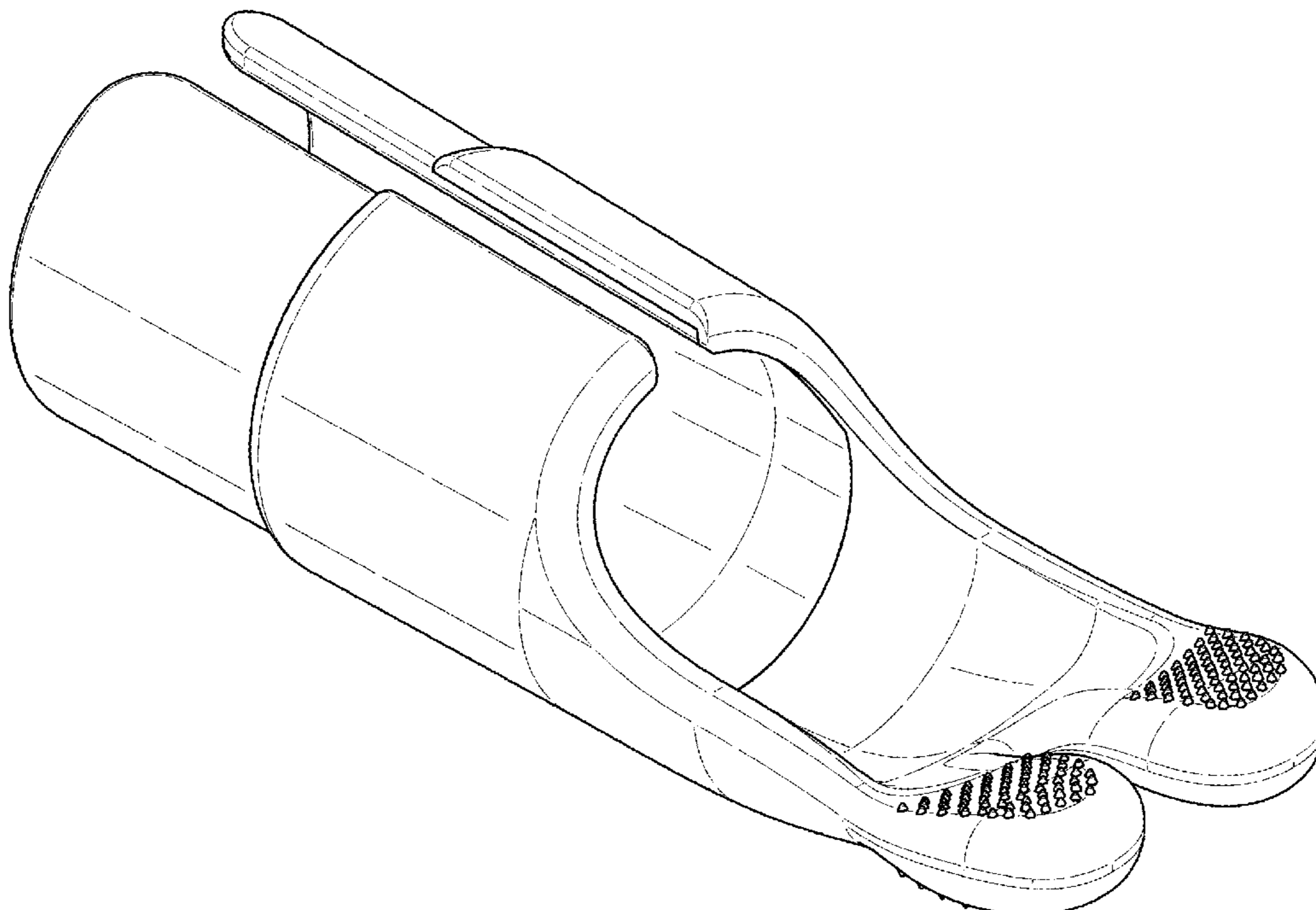
FIG. 1 is a top perspective view of a frenulum exercising tool showing my new design;  
 FIG. 2 is a bottom perspective view thereof;  
 FIG. 3 is a top view thereof;  
 FIG. 4 is a front view thereof;  
 FIG. 5 is a left view thereof;  
 FIG. 6 is a right view thereof; and,  
 FIG. 7 is a bottom view thereof.  
 The rear view is a mirror image of the front view.

**1 Claim, 4 Drawing Sheets**

(56) **References Cited**

U.S. PATENT DOCUMENTS

2,437,812 A	3/1948	Freel	
D220,855 S *	6/1971	Duval	..... D24/136
3,863,627 A *	2/1975	Bouffard	..... A61B 1/24 600/192
5,397,332 A	3/1995	Kammerer et al.	
5,718,243 A	2/1998	Weatherford et al.	
6,074,343 A	6/2000	Nathanson et al.	
6,212,435 B1	4/2001	Lattner et al.	
6,422,243 B1	7/2002	Daram	



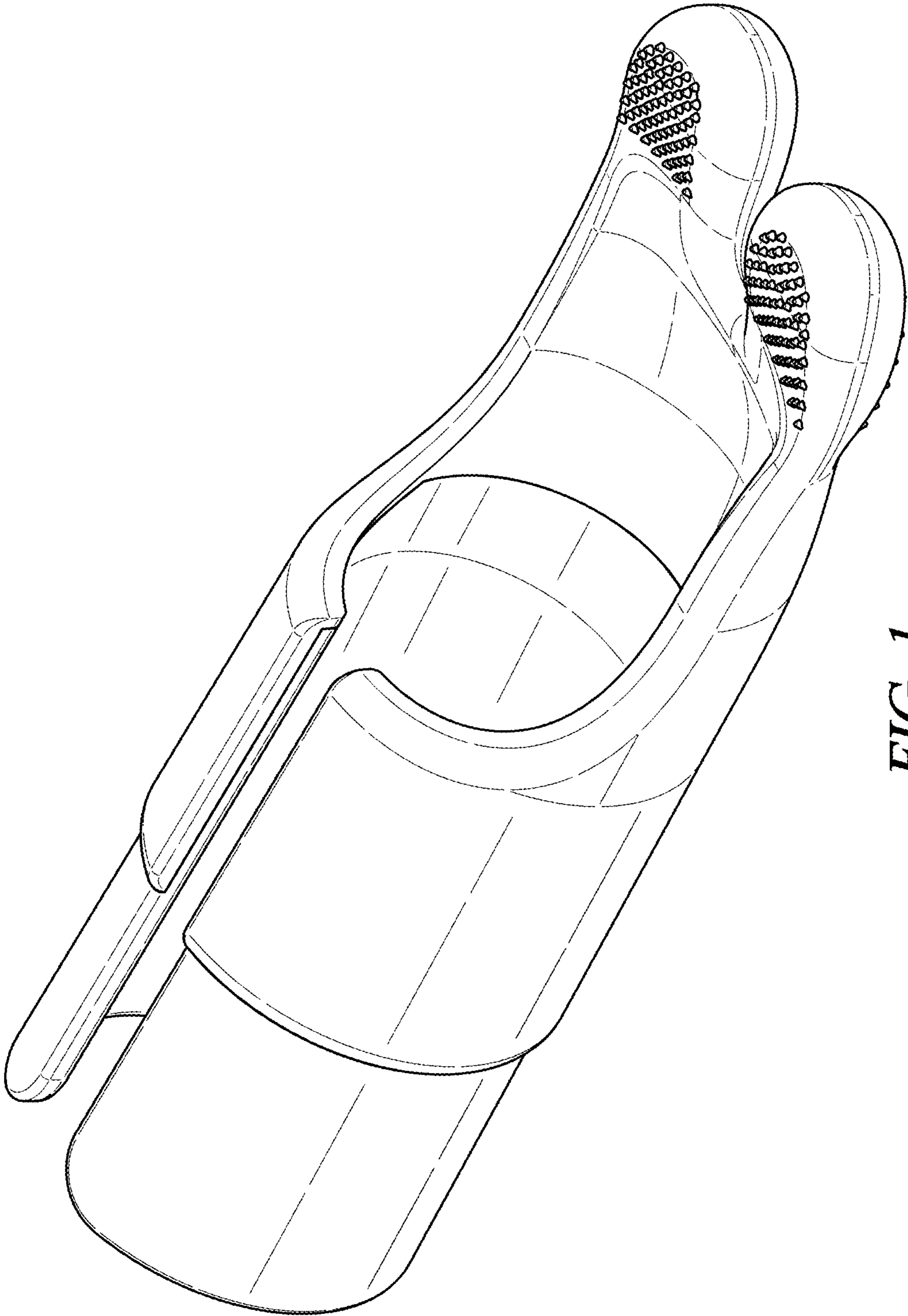
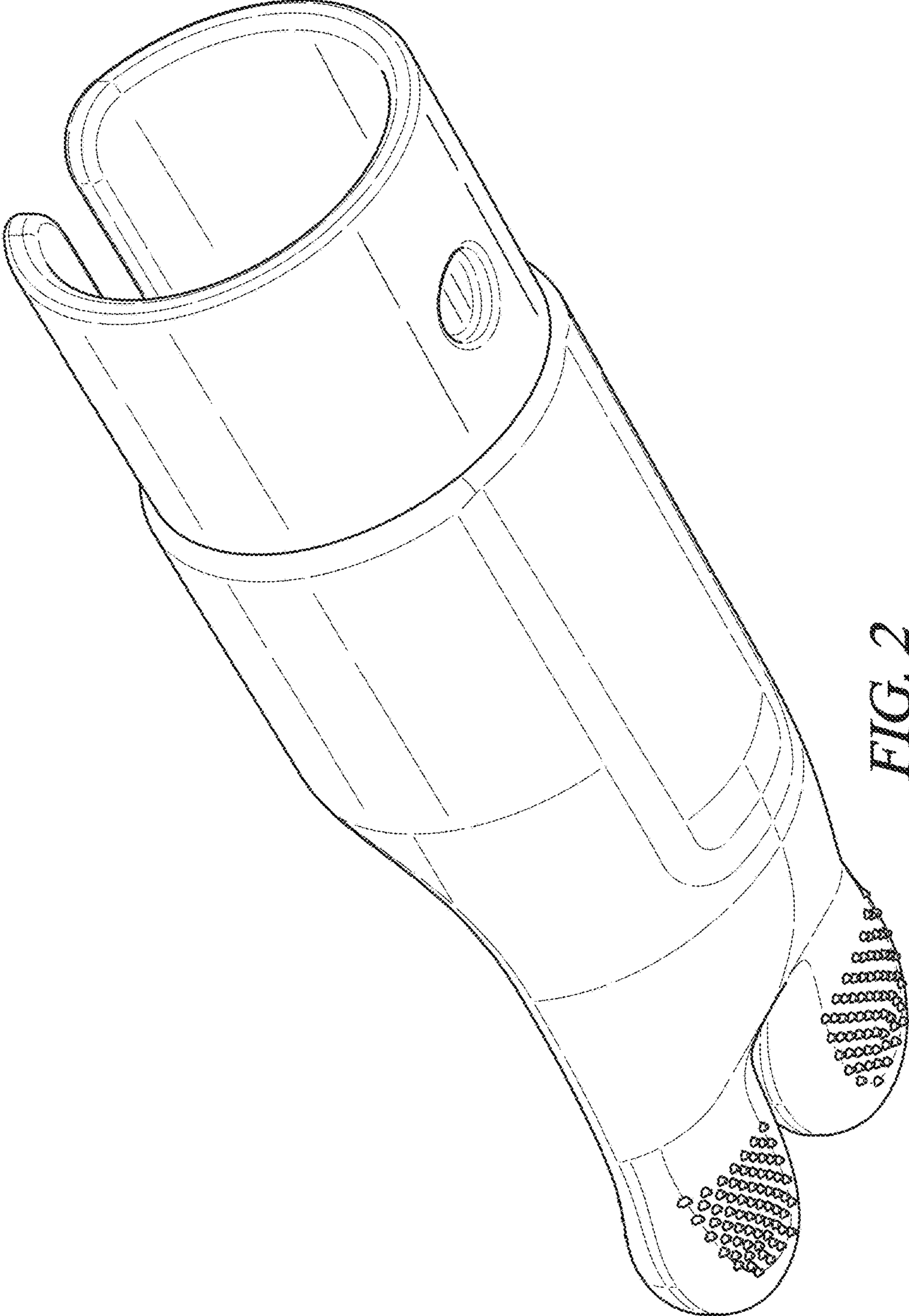


FIG. 1



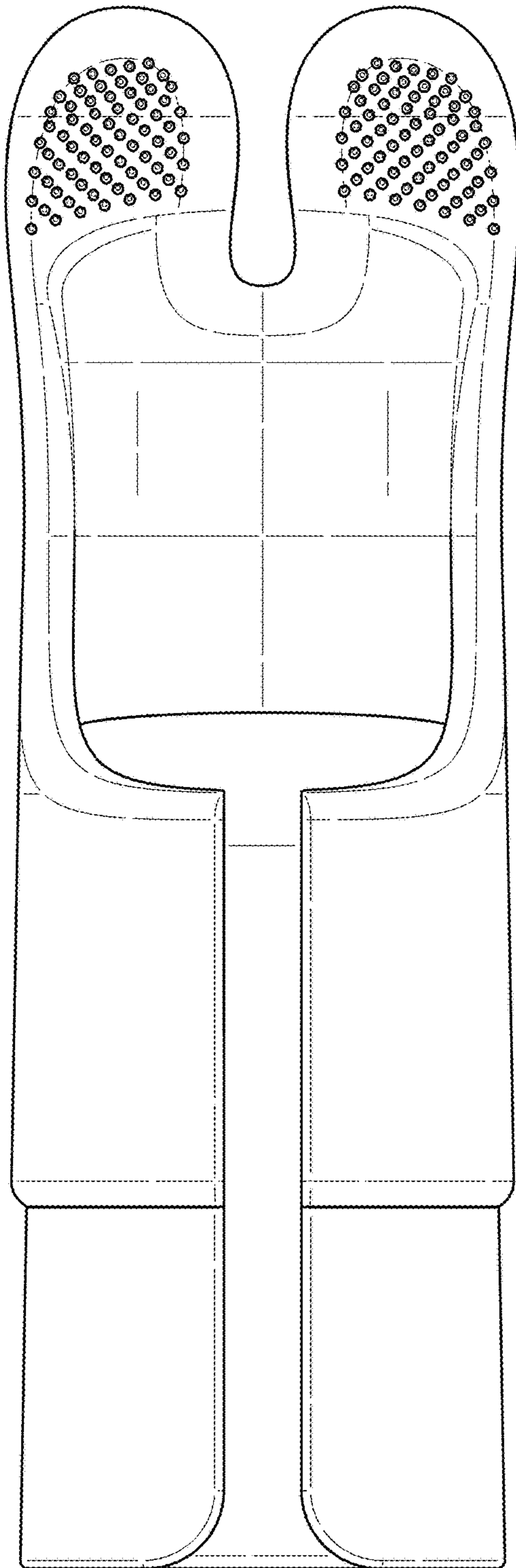


FIG. 3

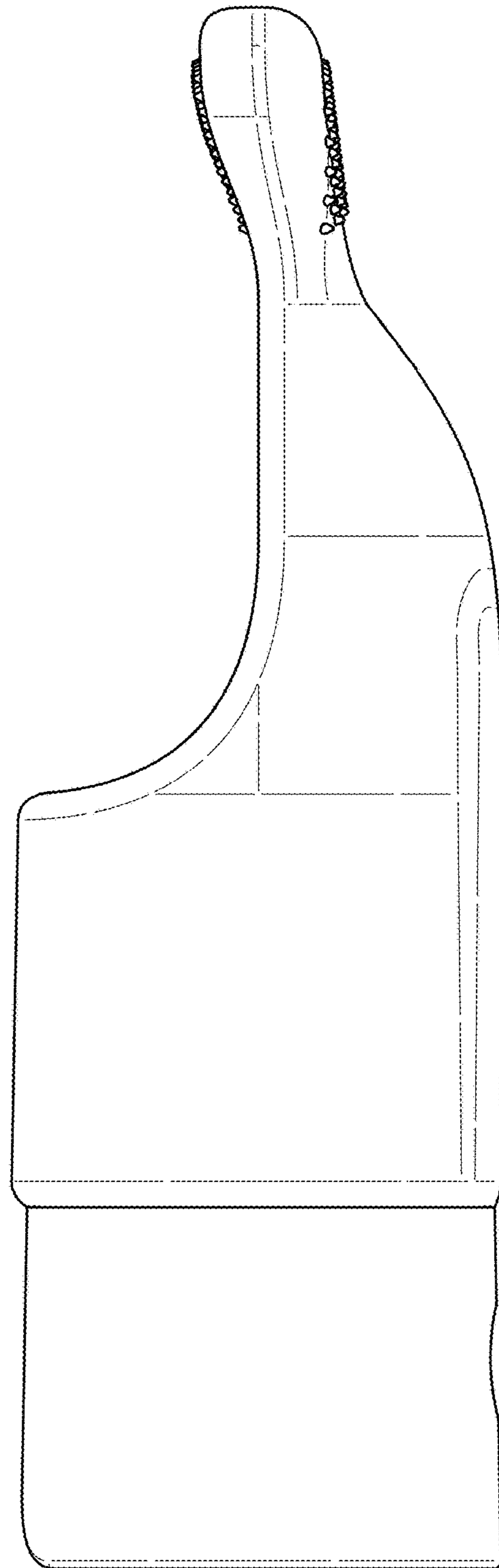


FIG. 4

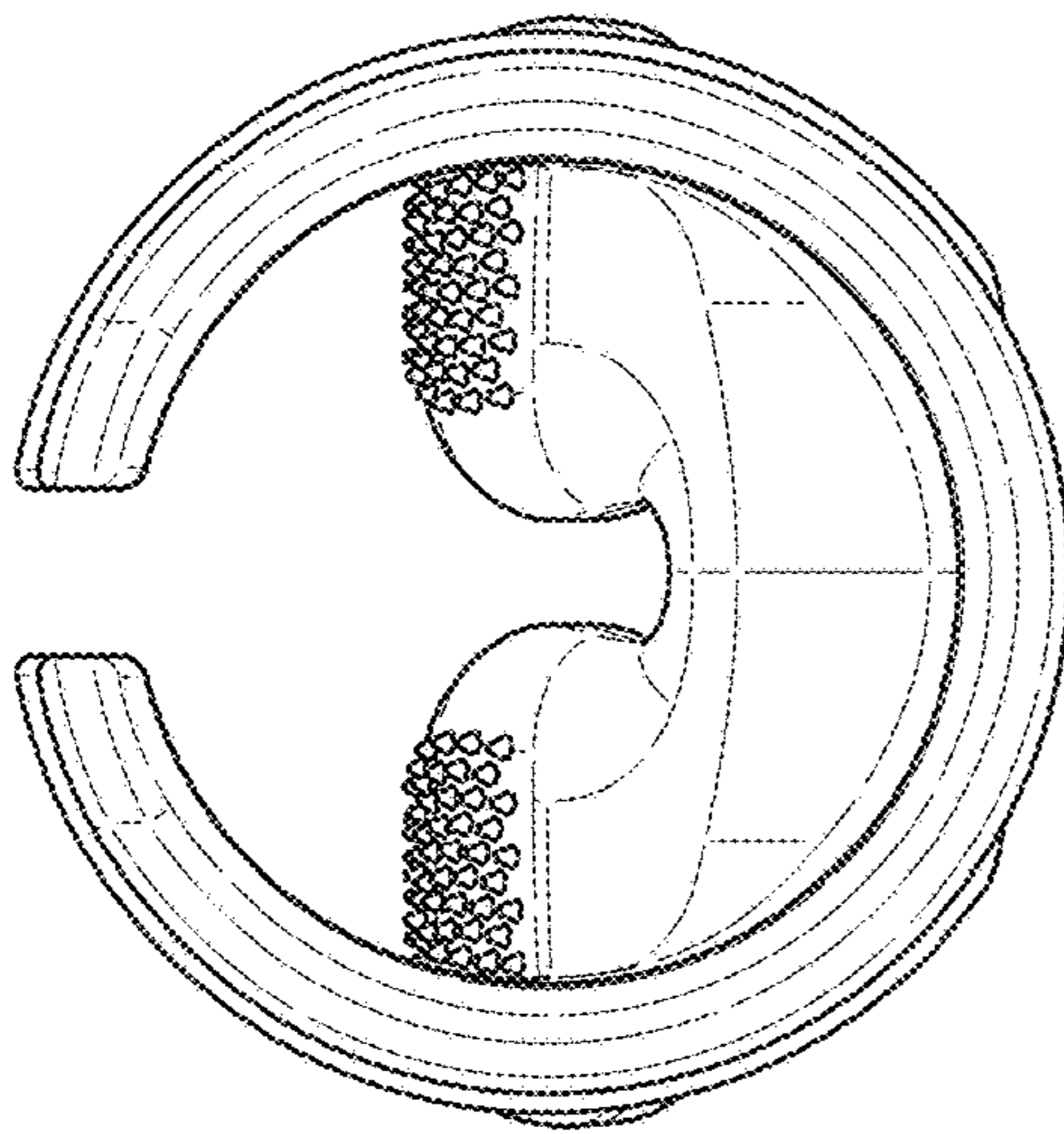


FIG. 5

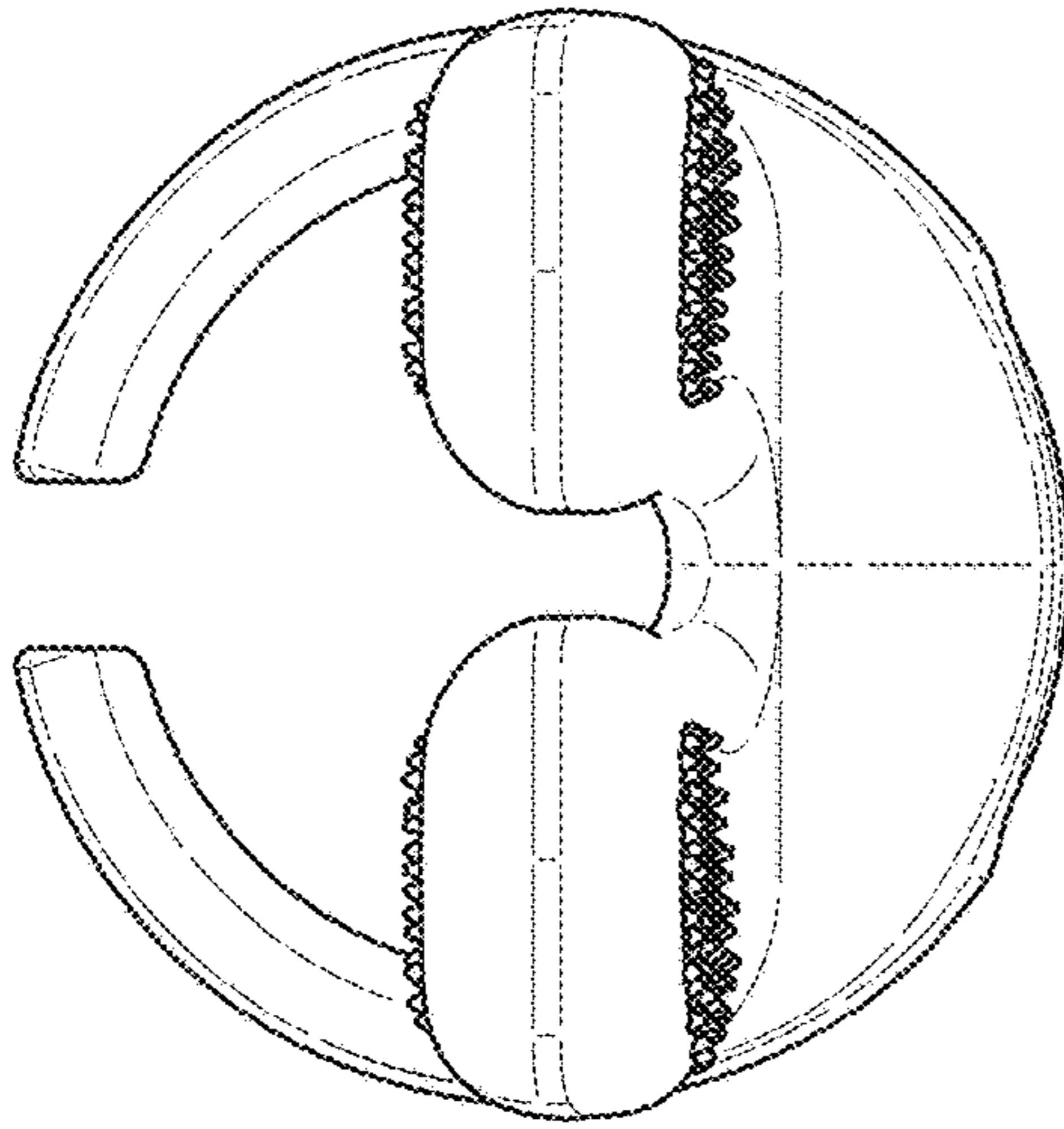


FIG. 6

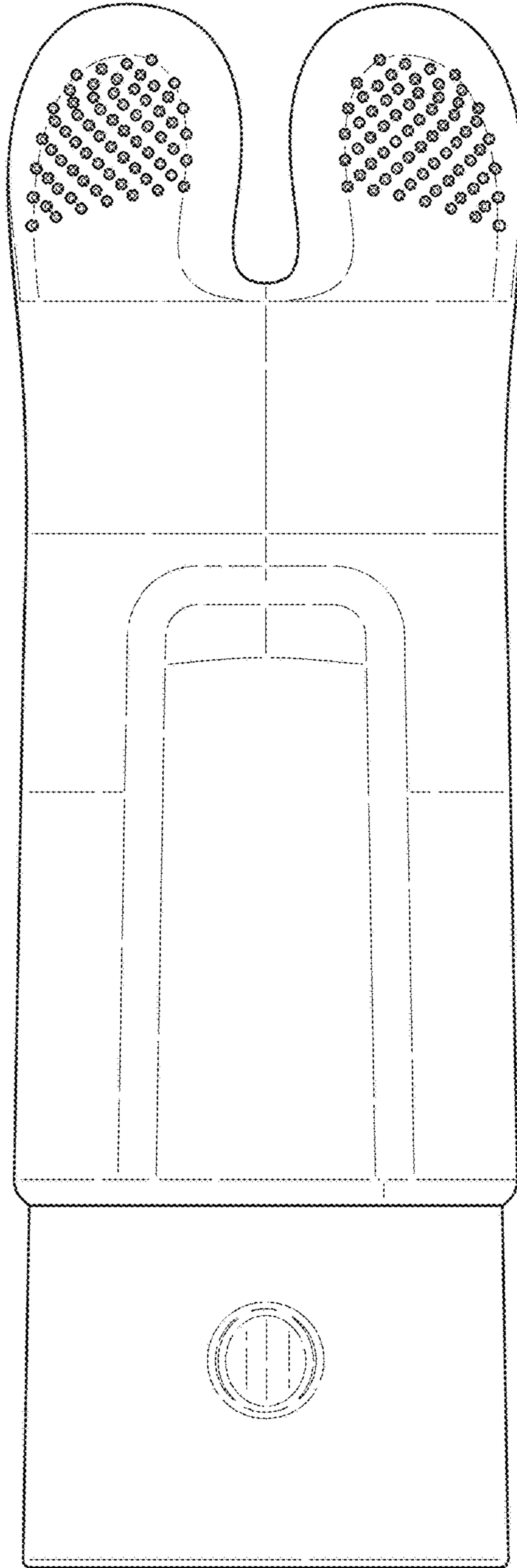


FIG. 7