



US00D822204S

(12) **United States Design Patent**  
**Jeong**

(10) **Patent No.:** **US D822,204 S**

(45) **Date of Patent:** **\*\* Jul. 3, 2018**

(54) **INJECTION APPARATUS**

(71) Applicant: **CH HOLDINGS CO., LTD.**,  
Gyeonggi-do (KR)

(72) Inventor: **Hwa Jeong**, Gyeonggi-do (KR)

(73) Assignee: **CH HOLDINGS CO., LTD.**,  
Gyeonggi-Do (KR)

(\*\*) Term: **15 Years**

(21) Appl. No.: **29/587,253**

(22) Filed: **Dec. 12, 2016**

(30) **Foreign Application Priority Data**

Jun. 13, 2016 (KR) ..... 30-2016-0028396

(51) **LOC (11) Cl.** ..... **24-02**

(52) **U.S. Cl.**  
USPC ..... **D24/130**

(58) **Field of Classification Search**

USPC ..... D24/127-131, 112-114, 133, 186;  
606/181, 185; 604/264, 523-528, 272,  
604/187, 158, 164.01-164.11, 181, 184,  
604/227; 600/101, 139, 143;  
128/200.24, 207.14, 207.15

CPC ..... A61M 5/178; A61M 3/00; A61M 5/20;  
A61M 5/31; A61M 5/3146; A61M  
5/3129; A61M 5/3148; A61M 5/315

See application file for complete search history.

(56) **References Cited**

**U.S. PATENT DOCUMENTS**

D381,426 S \* 7/1997 Koros ..... D24/133  
D391,361 S \* 2/1998 Evans ..... D24/133

D526,411 S \* 8/2006 Easley ..... D24/133  
D546,447 S \* 7/2007 White ..... D24/133  
D546,451 S \* 7/2007 Givens, Jr. .... D24/133  
D553,738 S \* 10/2007 Simonson ..... D24/133  
D626,648 S \* 11/2010 Ahlgren ..... D24/130  
7,833,175 B2 \* 11/2010 Parins ..... A61M 25/0052  
600/585  
8,591,480 B2 \* 11/2013 Marler ..... A61B 17/320016  
604/264  
D779,059 S \* 2/2017 Nino ..... D24/133  
D787,671 S \* 5/2017 Orr ..... D24/133  
D809,138 S \* 1/2018 Khan ..... D24/133  
D809,652 S \* 2/2018 Snyder ..... D24/112

\* cited by examiner

*Primary Examiner* — David Muller

(74) *Attorney, Agent, or Firm* — EIP US LLP

(57) **CLAIM**

The ornamental design of an injection apparatus, substantially as shown and described.

**DESCRIPTION**

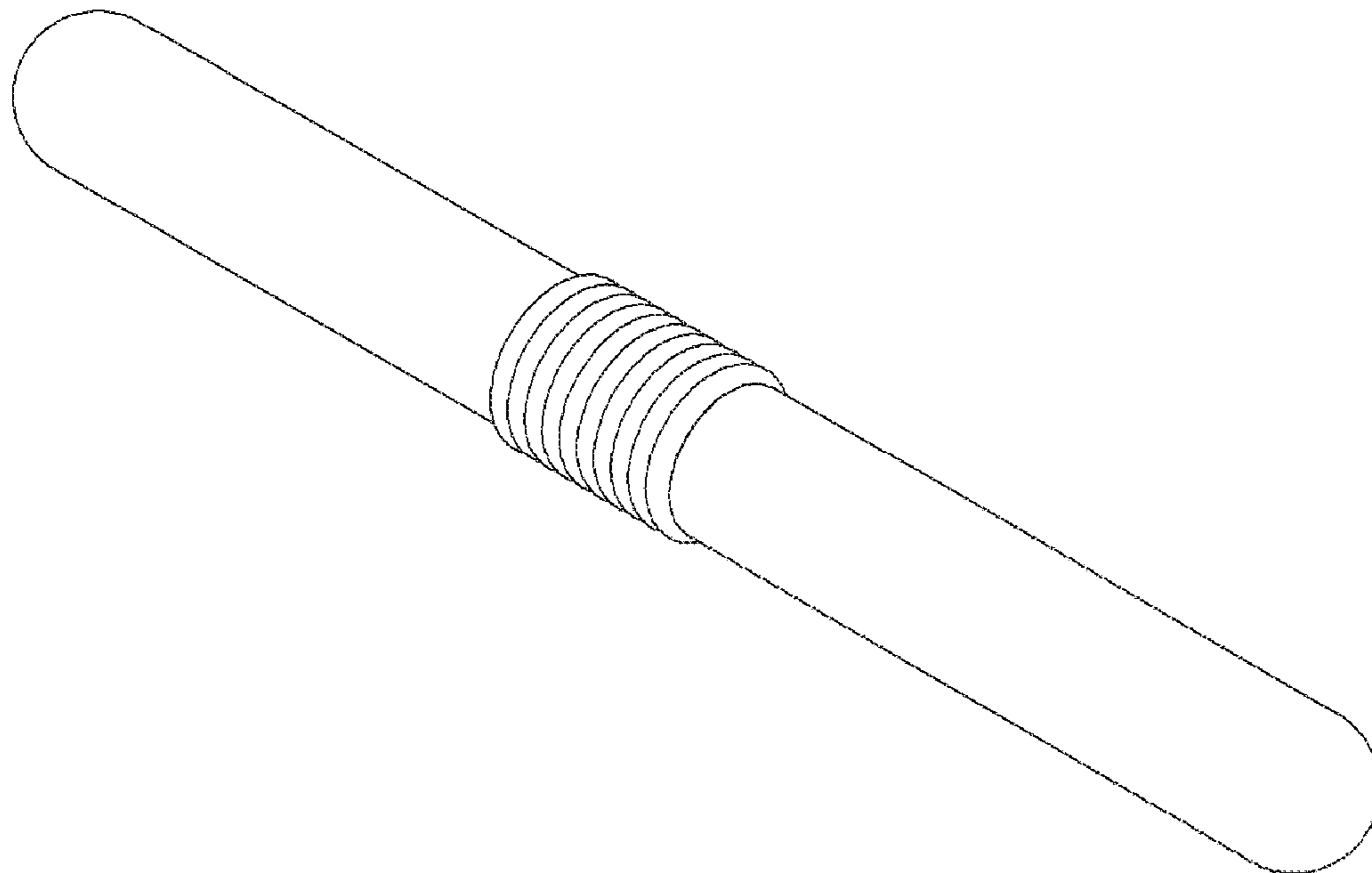
FIG. 1 is a perspective view of an injection apparatus showing the new design;

FIG. 2 is a front elevation view of the injection apparatus of FIG. 1, a rear view being a mirror image of the front view; FIG. 3 is a left side elevation view of the injection apparatus of FIG. 1, a right side view being identical to the left side view;

FIG. 4 is a top plan view of the injection apparatus of FIG. 1, a bottom plan view being identical to the top plan view; and,

FIG. 5 is an exploded perspective view of the injection apparatus of FIG. 1.

**1 Claim, 2 Drawing Sheets**



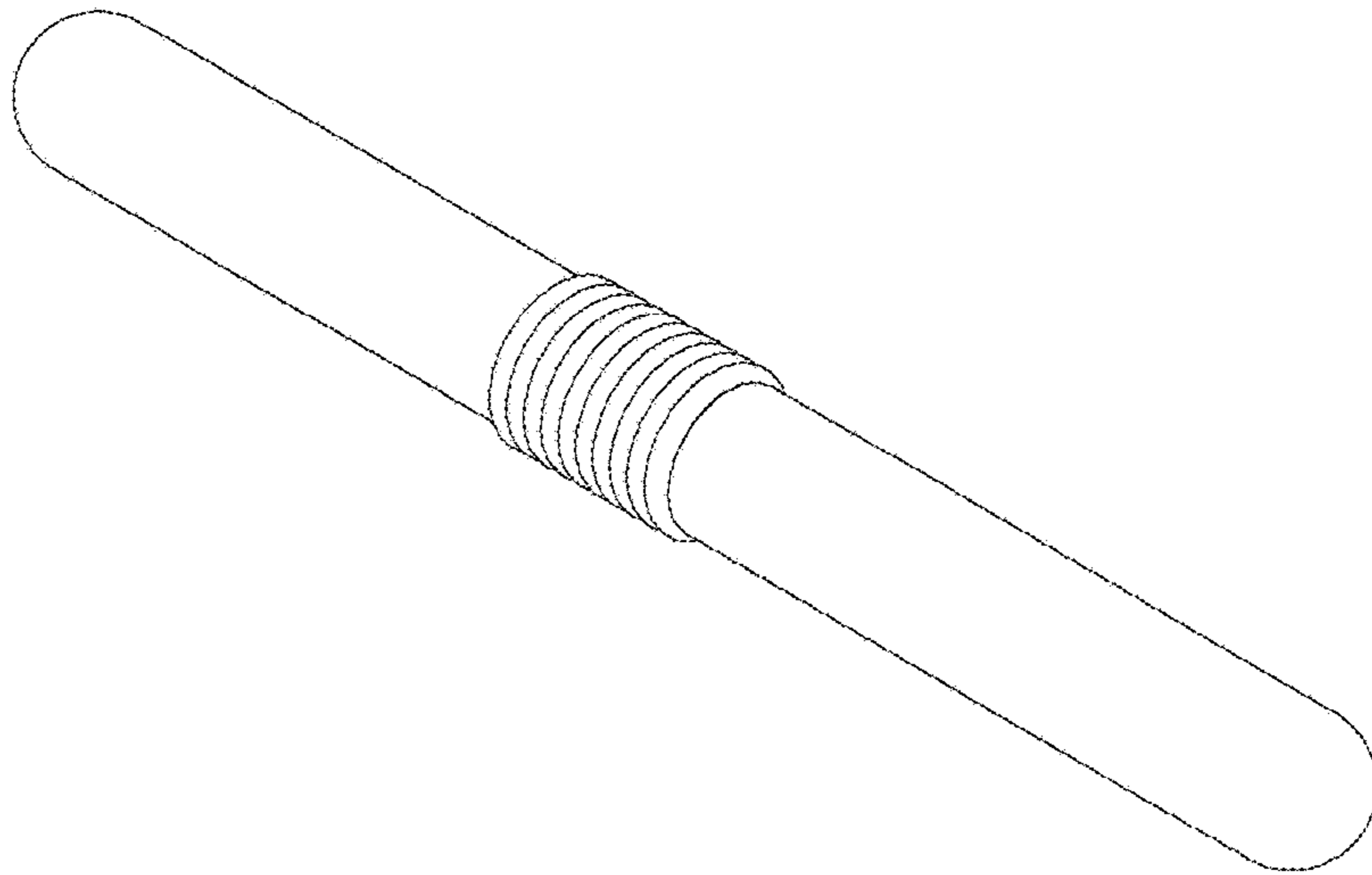


FIG. 1

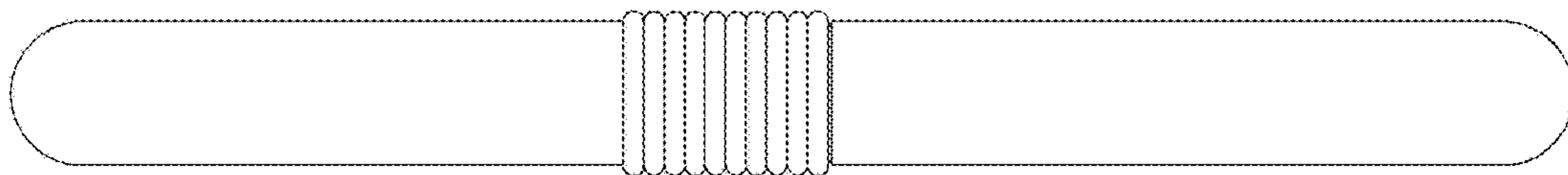


FIG. 2

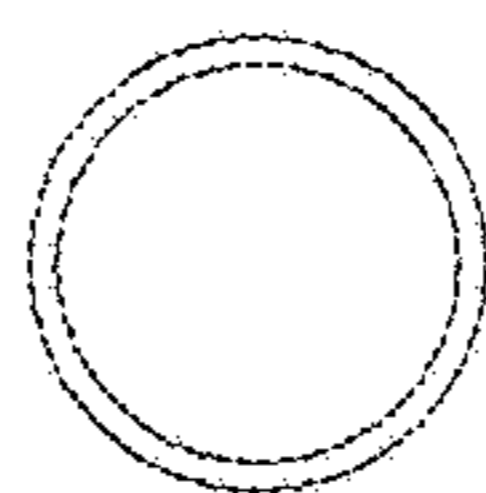


FIG. 3

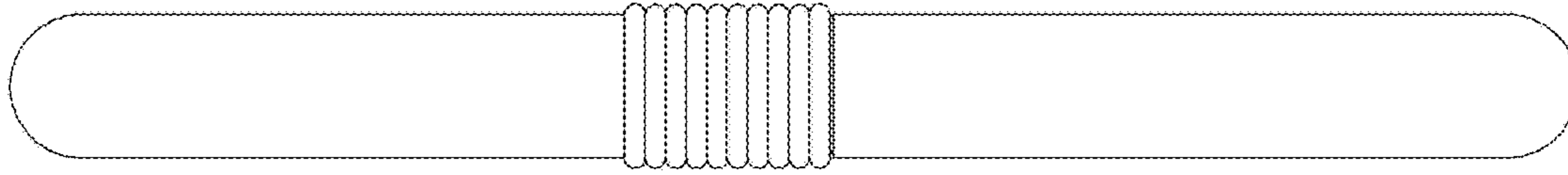


FIG. 4

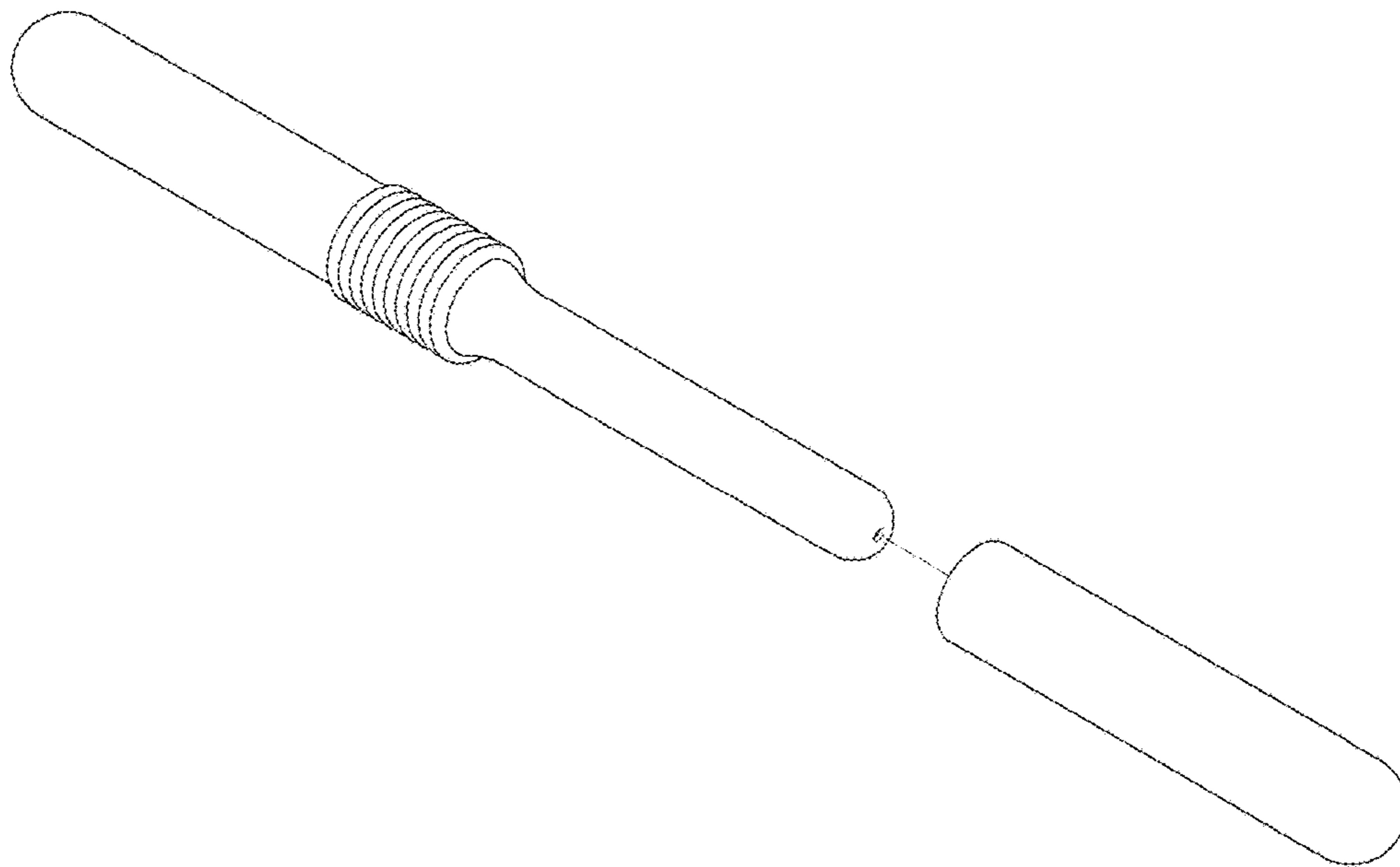


FIG. 5