



US00D822203S

(12) **United States Design Patent** (10) **Patent No.:** **US D822,203 S**
Leuschner et al. (45) **Date of Patent:** **** Jul. 3, 2018**

(54) **FRONTAL GEOMETRY OF A SYRINGE**

(71) Applicant: **Gerresheimer Bunde GmbH**, Bunde (DE)

(72) Inventors: **Udo Leuschner**, Regensburg (DE); **Jörg Großer**, Lappersdorf (DE); **Frank Wittland**, Enger (DE)

(73) Assignee: **Gerresheimer Bunde GmbH**, Bunde (DE)

(**) Term: **15 Years**

(21) Appl. No.: **29/569,279**

(22) Filed: **Jun. 24, 2016**

(30) **Foreign Application Priority Data**

Dec. 1, 2015 (EM) 002884288-0001

(51) **LOC (11) Cl.** **24-02**

(52) **U.S. Cl.**
USPC **D24/130**

(58) **Field of Classification Search**

USPC D24/127-131, 112-114, 133, 186;
606/181, 185; 604/264, 272, 115, 232,
604/187, 158, 164.08, 192, 263, 163, 181,
604/184, 198, 227; 600/101, 139, 143;
128/200.24, 207.14, 207.15

CPC A61M 37/0069; A61M 5/31511; A61M
5/31576; A61M 2205/60; A61M
2205/584; A61M 2205/32

See application file for complete search history.

(56) **References Cited**

U.S. PATENT DOCUMENTS

5,115,816 A * 5/1992 Lee A61B 10/0283
600/562
D457,953 S * 5/2002 Farris D24/112

D472,317 S * 3/2003 Farris D24/112
D609,806 S * 2/2010 Uchida D24/130
D630,733 S * 1/2011 Ahlgren D24/130
D693,002 S * 11/2013 Lundquist D24/130
D752,214 S * 3/2016 Limaye D24/130
2007/0250016 A1* 10/2007 Pech A61M 5/3202
604/198
2008/0125717 A1* 5/2008 Shue A61M 25/0606
604/168.01
2008/0269688 A1* 10/2008 Colucci A61M 5/31551
604/189
2013/0046245 A1* 2/2013 Raab A61M 5/24
604/187
2016/0259913 A1* 9/2016 Yu A61M 5/31
2016/0317751 A1* 11/2016 Andersen A61M 5/20

* cited by examiner

Primary Examiner — David Muller

Assistant Examiner — Nathan Johnston

(74) *Attorney, Agent, or Firm* — Lowe Graham Jones PLLC

(57) **CLAIM**

We claim the ornamental design for the frontal geometry of a syringe, as shown and described.

DESCRIPTION

FIG. 1 is a front perspective view showing our new design. FIG. 2 is a rear perspective view thereof. FIG. 3 is a side elevation view thereof. FIG. 4 is a side elevation view thereof; and, FIG. 5 is a front elevation view thereof. The broken line showing of syringe is included for the purpose of illustrating portions of the design and forms no part of the claimed design.

1 Claim, 5 Drawing Sheets

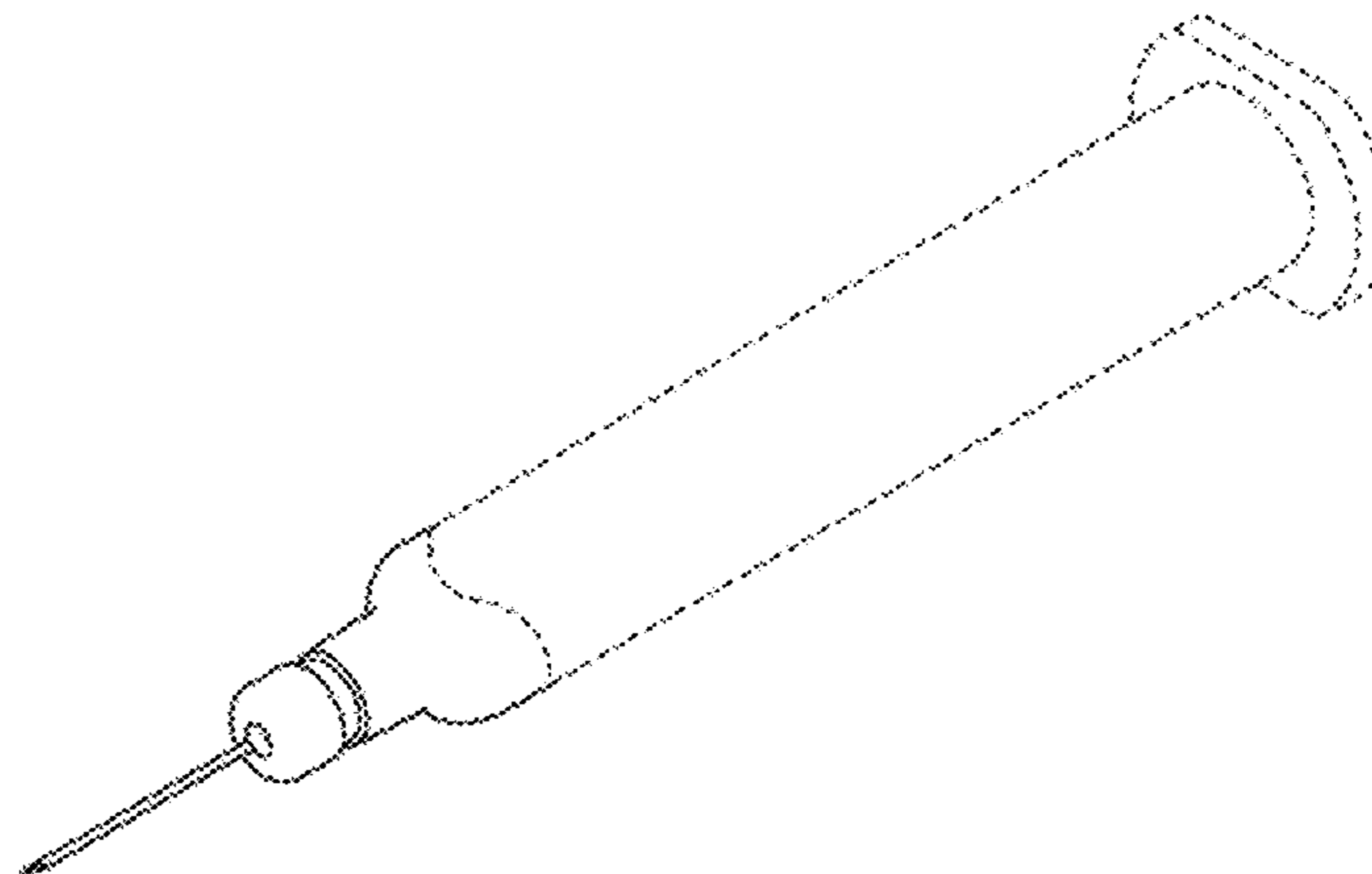


FIG. 1

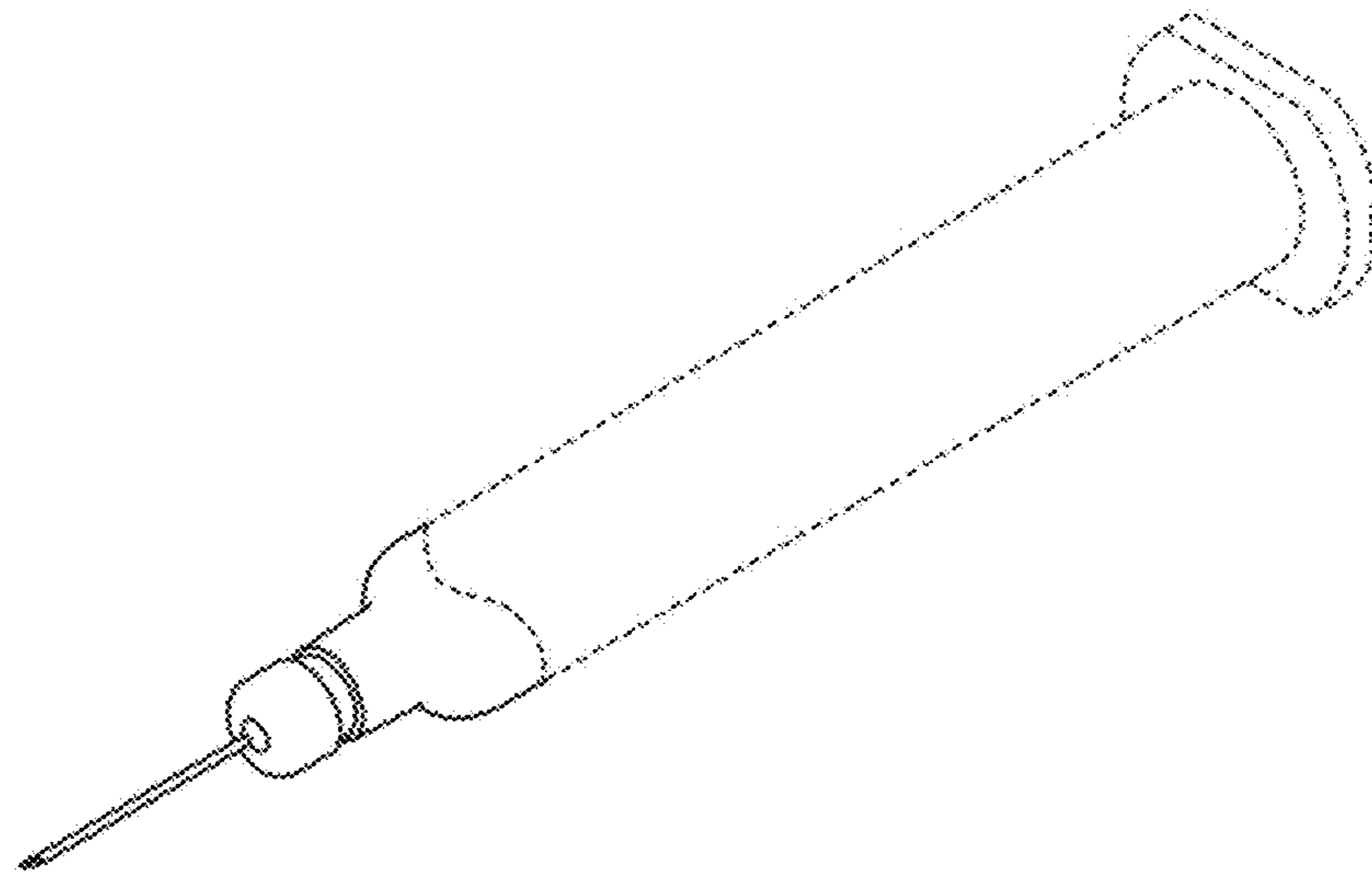


FIG. 2

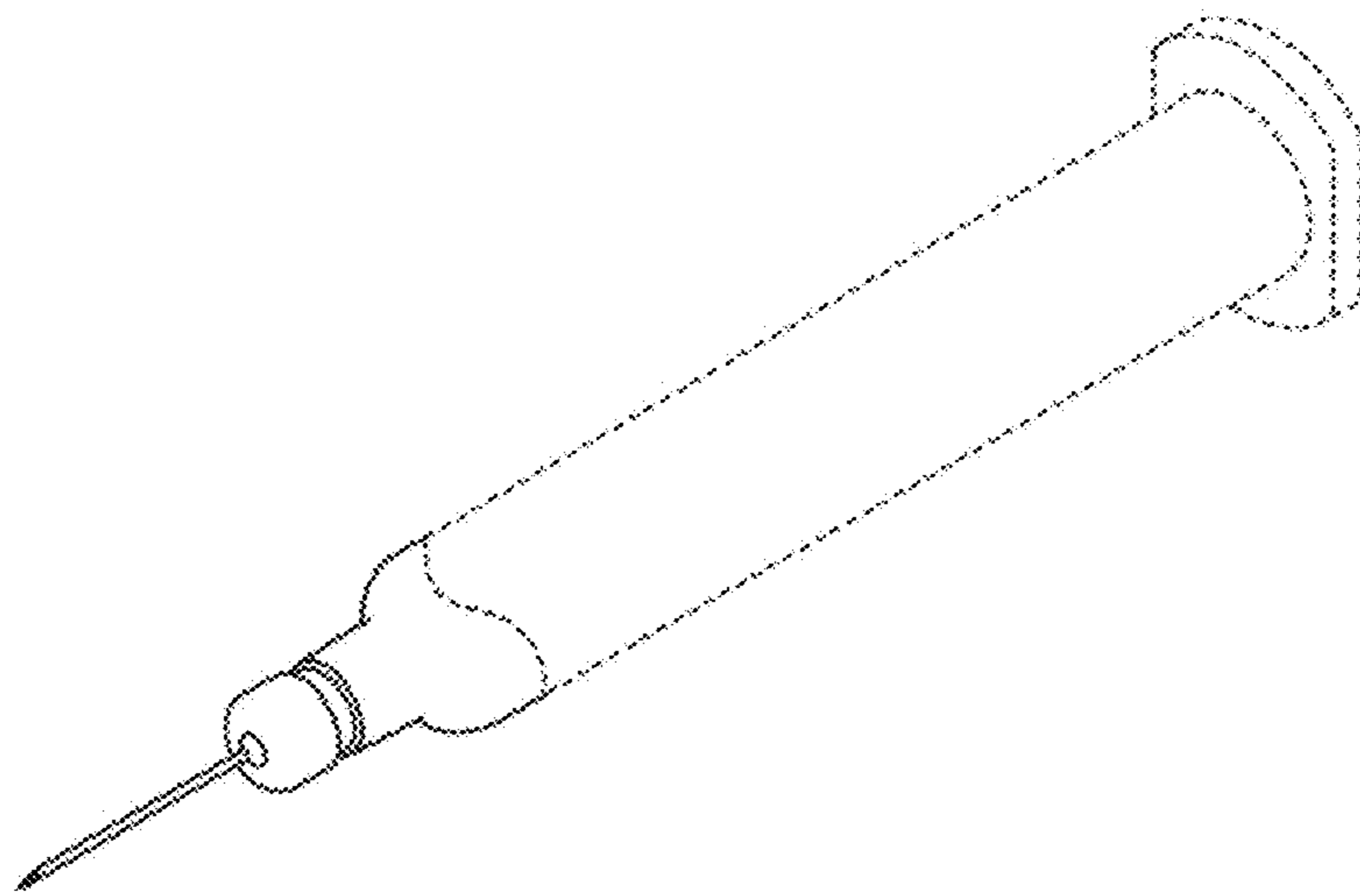


FIG. 3

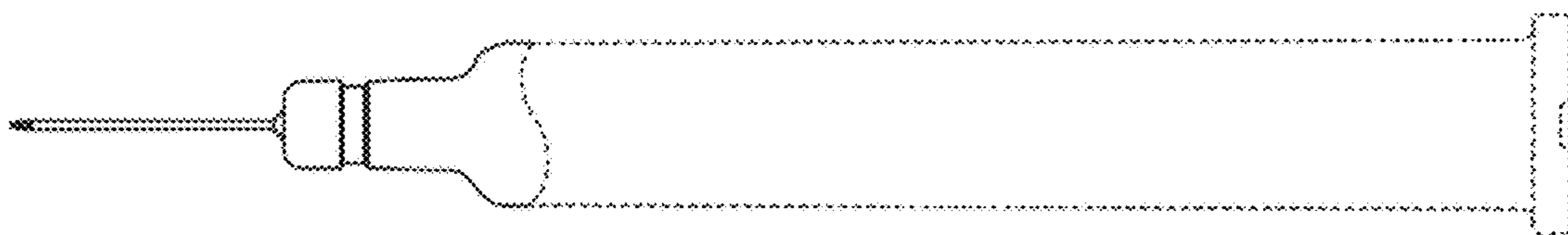


FIG. 4

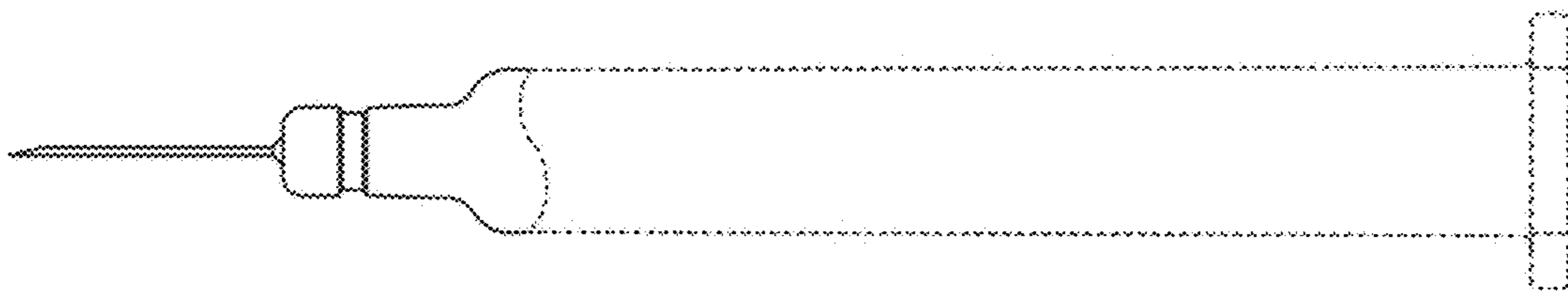


FIG. 5

