



US00D822202S

(12) **United States Design Patent** (10) **Patent No.:** **US D822,202 S**
Roth (45) **Date of Patent:** **** Jul. 3, 2018**

(54) **MEDICAL INSTRUMENT**
 (71) Applicant: **Cinfa Biotech S.L.**, Olloki (ES)
 (72) Inventor: **Karsten Roth**, Munich (DE)
 (73) Assignee: **Cinfa Biotech S.L.**, Olloki (ES)
 (**) Term: **15 Years**

D793,552 S * 8/2017 Schiller A61M 5/3137
 D24/130
 D794,185 S * 8/2017 Dolk D24/130
 D796,670 S * 9/2017 Dolk D24/130
 2003/0225375 A1* 12/2003 Coleman A61M 5/158
 604/165.03
 2011/0276026 A1* 11/2011 Dowds A61M 5/3137
 604/506
 2013/0023790 A1* 1/2013 Schaeffer A61B 10/0275
 600/567

(Continued)

(21) Appl. No.: **29/583,797**
 (22) Filed: **Nov. 9, 2016**
 (51) **LOC (11) Cl.** **24-02**
 (52) **U.S. Cl.**
 USPC **D24/128**
 (58) **Field of Classification Search**
 USPC D24/108, 112, 114, 127, 128, 129, 130,
 D24/133, 141, 146, 147, 152, 186, 214,
 D24/215; D8/93, 97, 300, 310, 311;
 D23/223, 262
 CPC A61B 1/00094; A61M 2005/1583; A61M
 2005/1586; A61M 2005/3277; A61M
 5/158; A61M 5/1582; A61M 5/3243
 See application file for complete search history.

FOREIGN PATENT DOCUMENTS
 EP 003134535-0001 5/2016

OTHER PUBLICATIONS
 English-language translation of Design EP 003134535-0001, reg-
 istered May 17, 2016.

Primary Examiner — Sheryl Lane
Assistant Examiner — Calvin E Vansant
 (74) *Attorney, Agent, or Firm* — Husch Blackwell LLP;
 Edward D. Manzo; George S. Pavlik

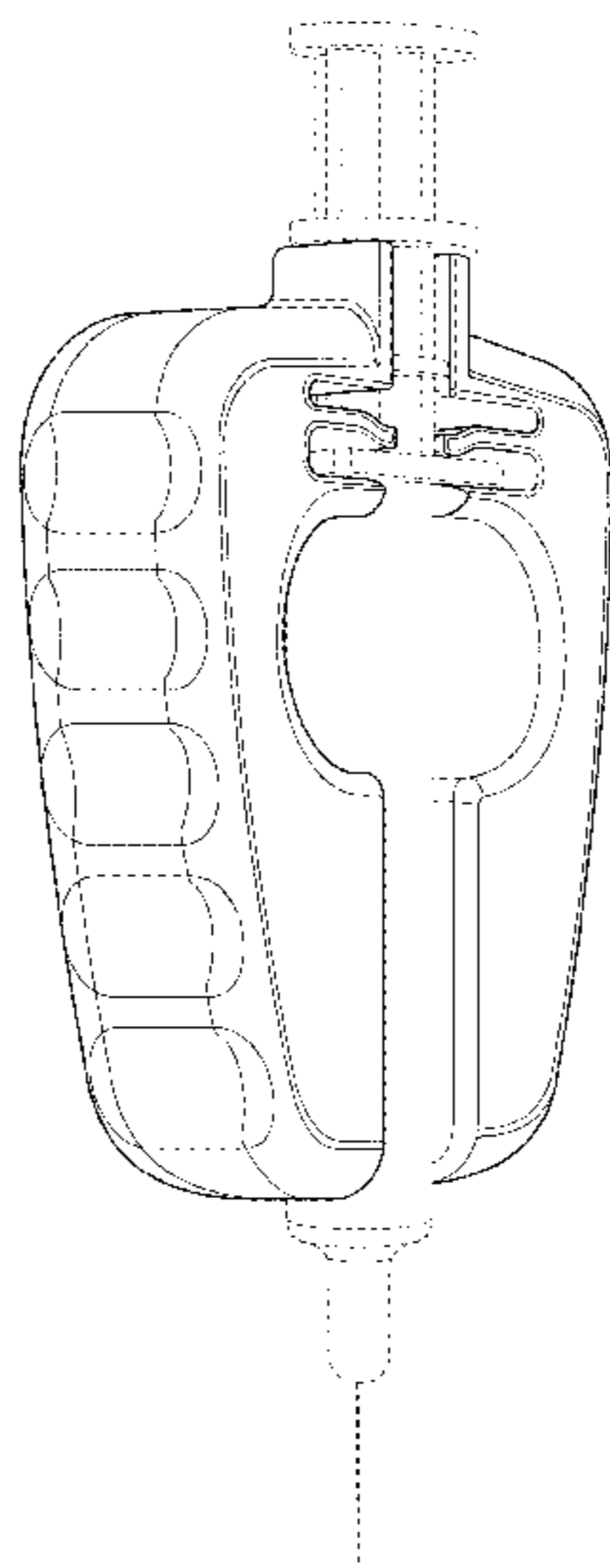
(56) **References Cited**
 U.S. PATENT DOCUMENTS
 D295,315 S * 4/1988 Nelson D24/130
 4,950,265 A * 8/1990 Taylor A61B 10/0275
 600/562
 D315,407 S * 3/1991 Bradrick D24/114
 5,469,860 A * 11/1995 De Santis A61B 10/0283
 600/562
 D544,602 S * 6/2007 Hughett, Sr. 24/114
 D699,348 S * 2/2014 Morejon D24/147
 D710,005 S * 7/2014 Kawamura D24/130
 D736,922 S * 8/2015 Allen D24/146
 D751,705 S * 3/2016 Hitscherich, Jr. D24/130
 D759,246 S * 6/2016 Allen D24/146
 D781,416 S * 3/2017 Racz D24/112
 D790,691 S * 6/2017 Davis D24/130

(57) **CLAIM**
 The ornamental design for a medical instrument, as shown
 and described.

DESCRIPTION

FIG. 1 is a first perspective view of the claimed design.
 FIG. 2 is a second enlarged perspective view thereof.
 FIG. 3 is a front elevation view thereof.
 FIG. 4 is a rear elevation view thereof.
 FIG. 5 is a right side elevation view thereof.
 FIG. 6 is a left side elevation view thereof.
 FIG. 7 is a bottom plan view thereof; and,
 FIG. 8 is a top plan view thereof.
 The broken lines depict portions of the medical instrument
 that form no part of the claim.

1 Claim, 8 Drawing Sheets



(56)

References Cited

U.S. PATENT DOCUMENTS

2013/0053725 A1* 2/2013 Beck A61B 10/0233
600/567

* cited by examiner

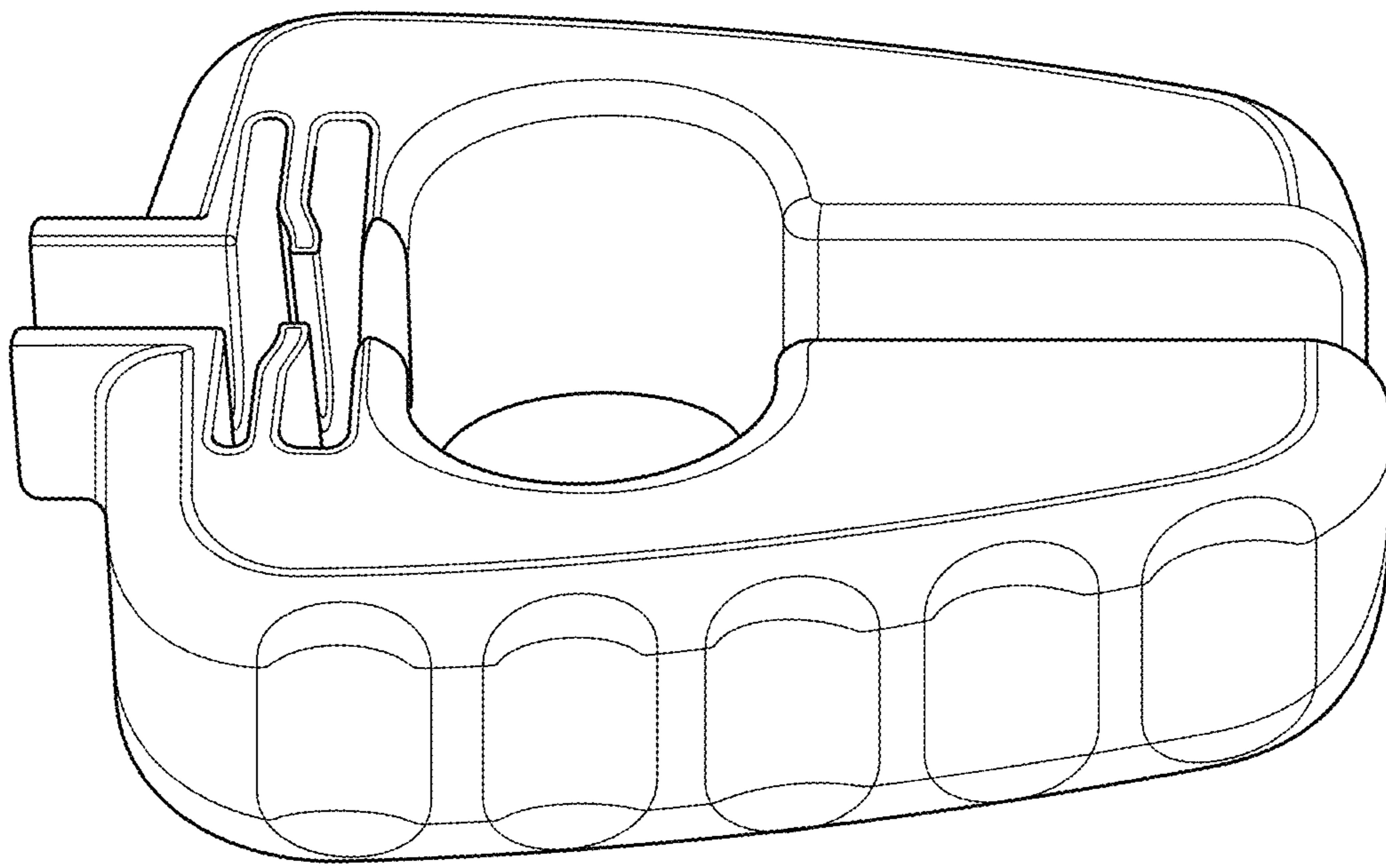


FIG. 1

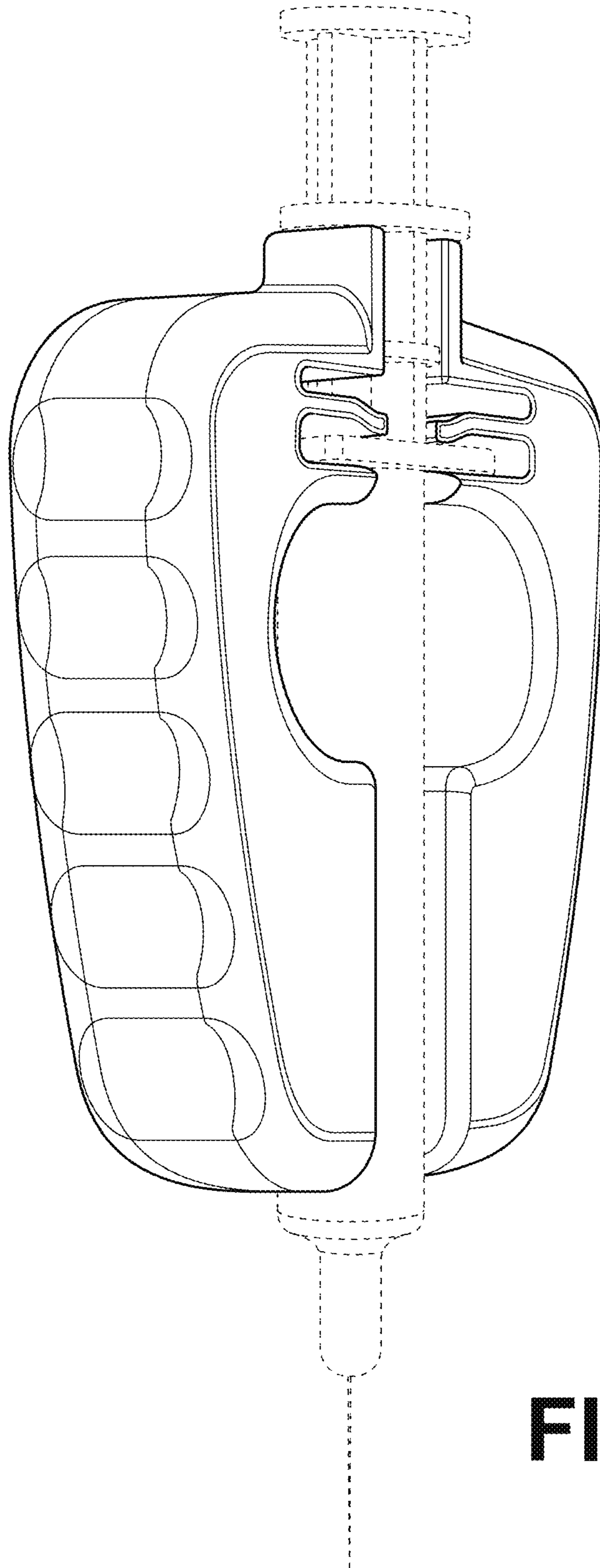


FIG. 2

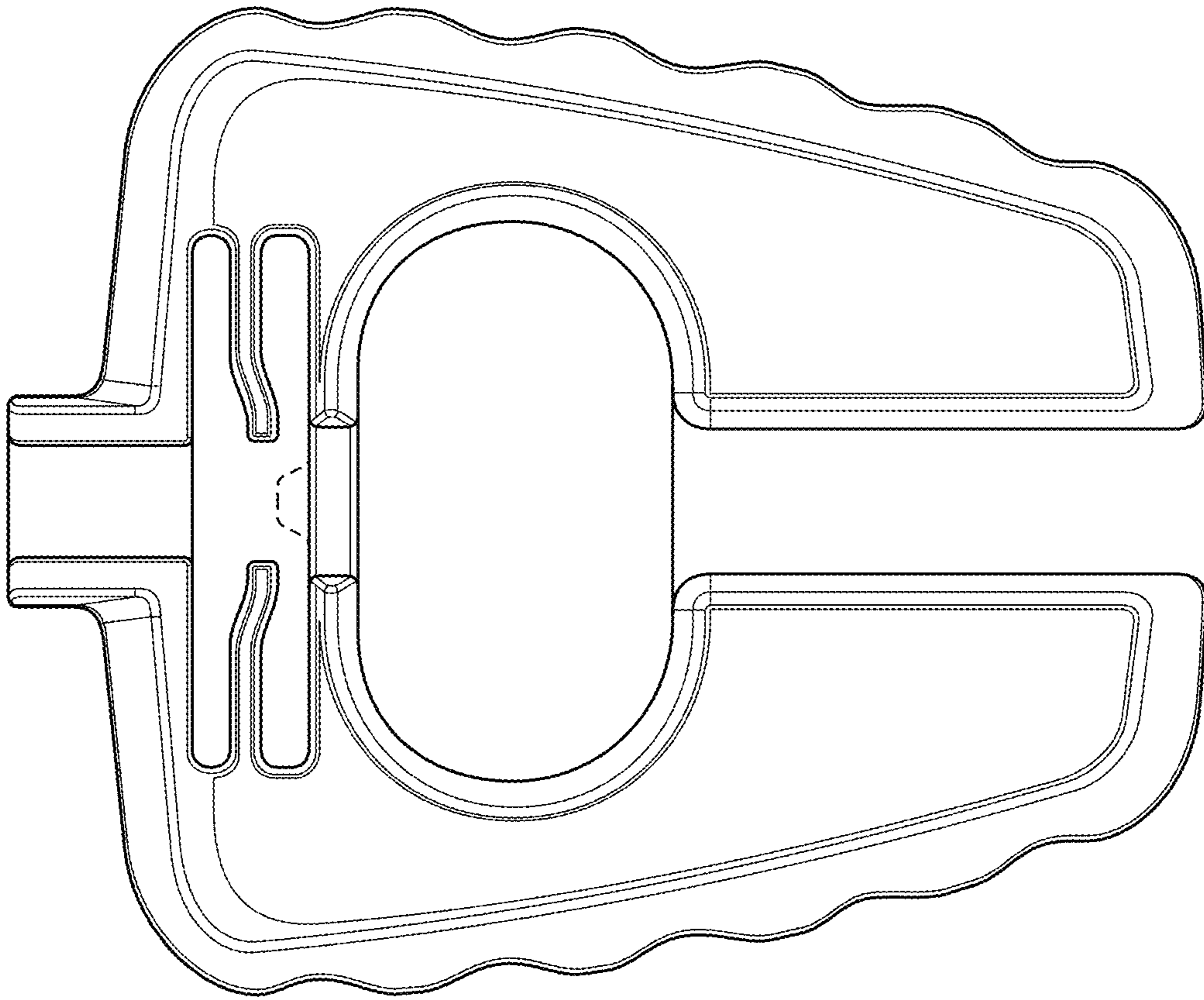


FIG. 3

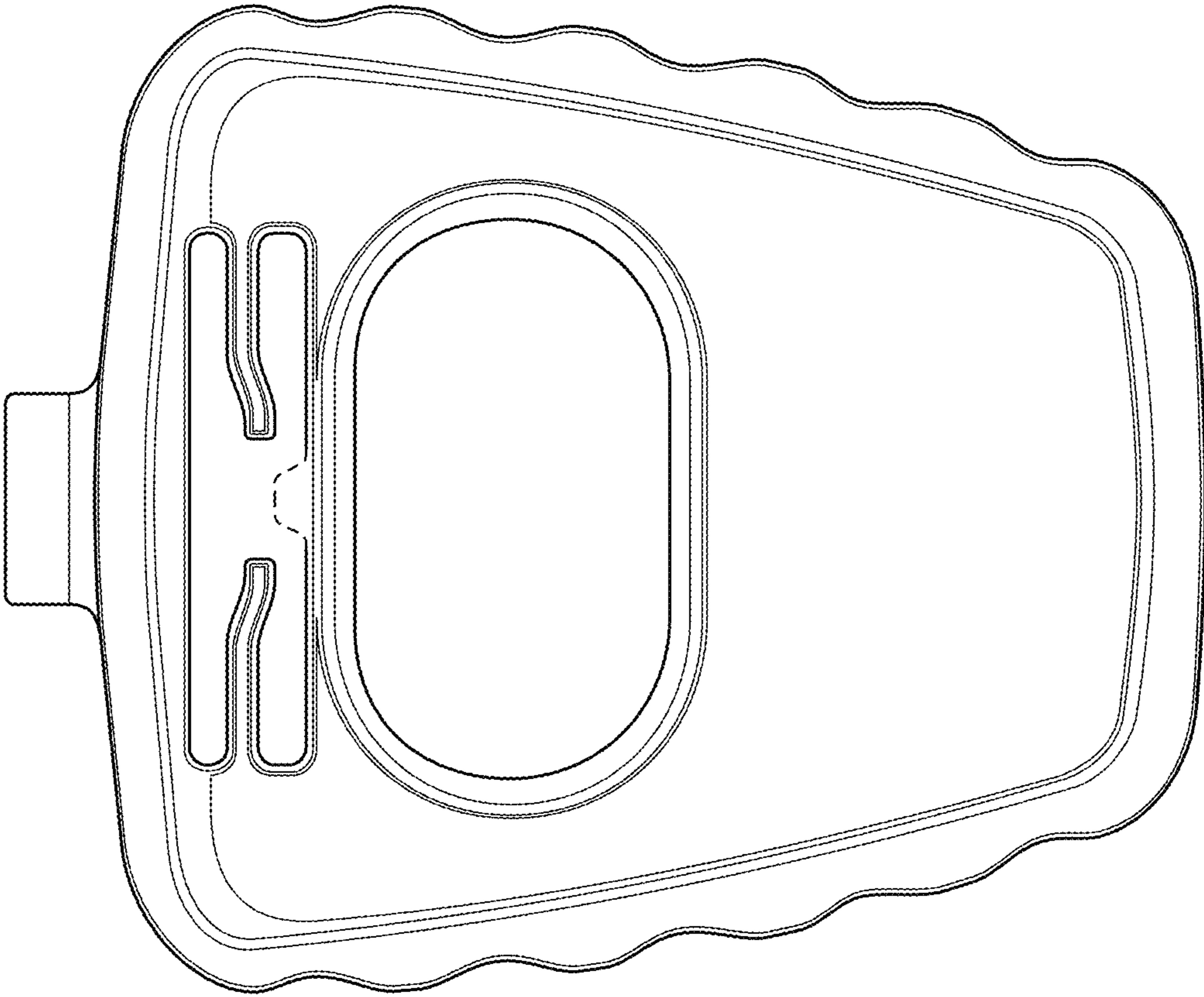


FIG. 4

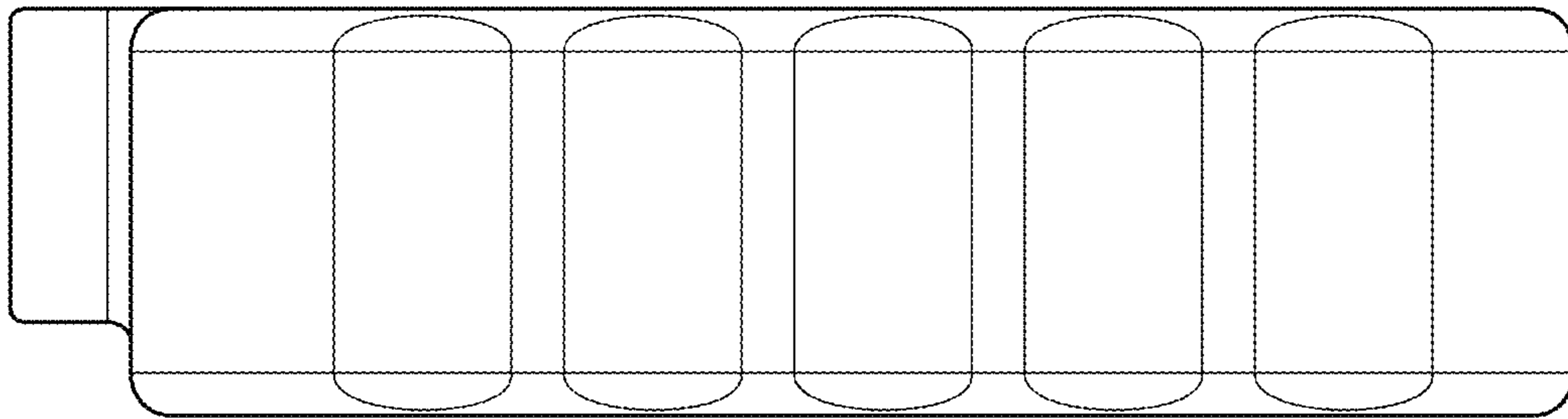


FIG. 5

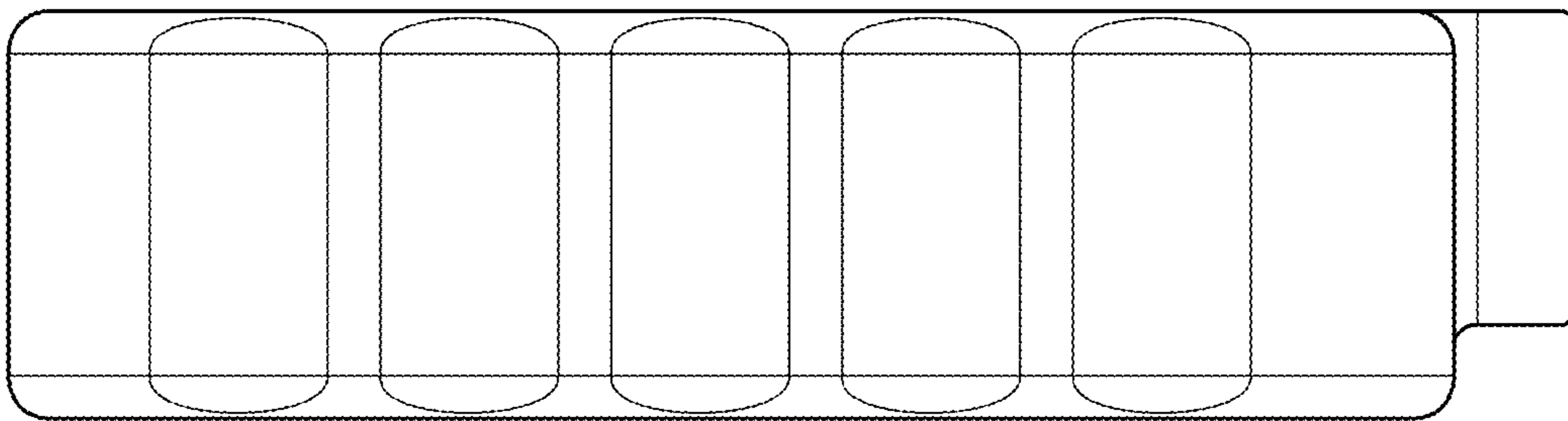


FIG. 6

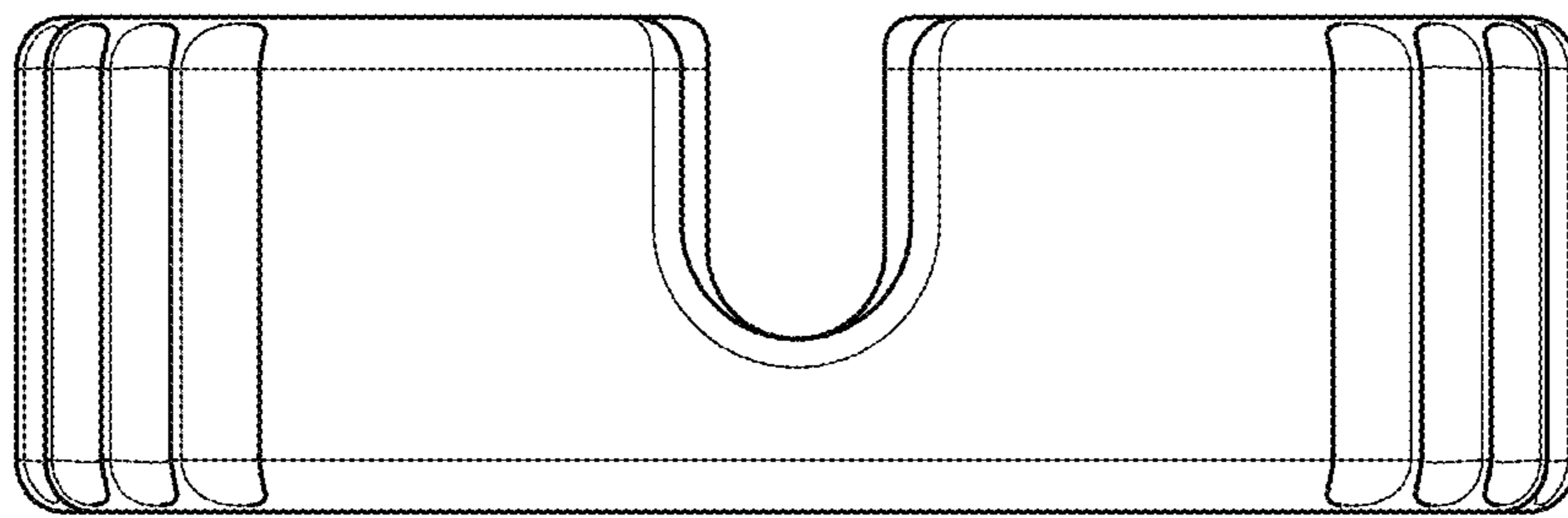


FIG. 7

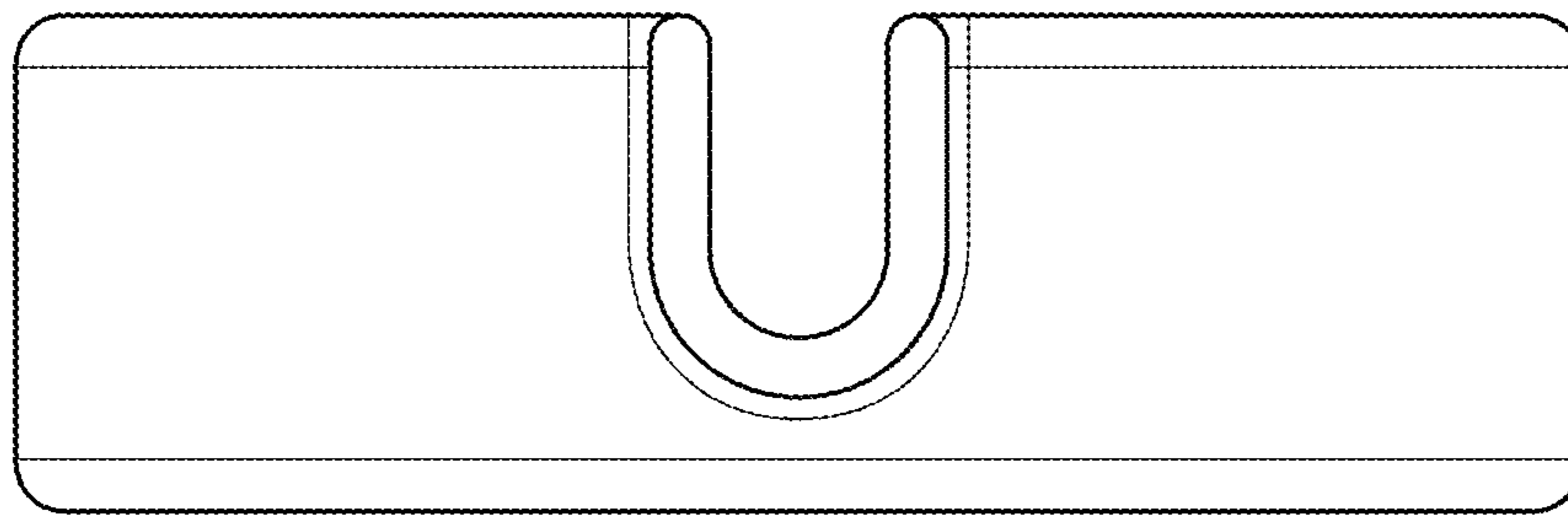


FIG. 8