



US00D822200S

(12) **United States Design Patent**
Niederreiter

(10) **Patent No.:** **US D822,200 S**
(45) **Date of Patent:** **** Jul. 3, 2018**

(54) **WOUNDBAG**

(71) Applicant: **Simonetta Niederreiter, Imst (AT)**

(72) Inventor: **Simonetta Niederreiter, Imst (AT)**

(**) Term: **15 Years**

(21) Appl. No.: **29/535,114**

(22) Filed: **Aug. 4, 2015**

(30) **Foreign Application Priority Data**

Feb. 4, 2015 (EM) 002626515

(51) **LOC (11) Cl.** **24-02**

(52) **U.S. Cl.**
USPC **D24/118**

(58) **Field of Classification Search**
USPC D24/117, 118, 122, 127, 128; 604/317,
604/323, 332, 334, 339

See application file for complete search history.

(56) **References Cited**

U.S. PATENT DOCUMENTS

D397,432 S * 8/1998 Rake D24/118
D440,300 S * 4/2001 Hogberg D24/107

D446,855 S * 8/2001 Hogberg D24/118
D460,550 S * 7/2002 Falconer D24/118
D533,659 S * 12/2006 Conrad D24/118
D607,559 S * 1/2010 Schena D24/118
8,105,298 B2 * 1/2012 Mullejans A61F 5/445
604/332
2007/0203464 A1 * 8/2007 Green A61F 5/4405
604/323
2007/0255240 A1 * 11/2007 Ciok A61F 5/445
604/339
2016/0278969 A1 * 9/2016 De Weert A61F 5/441

* cited by examiner

Primary Examiner — Garth Rademaker

Assistant Examiner — Samantha Q. Lawrence

(74) *Attorney, Agent, or Firm* — Fay Sharpe LLP

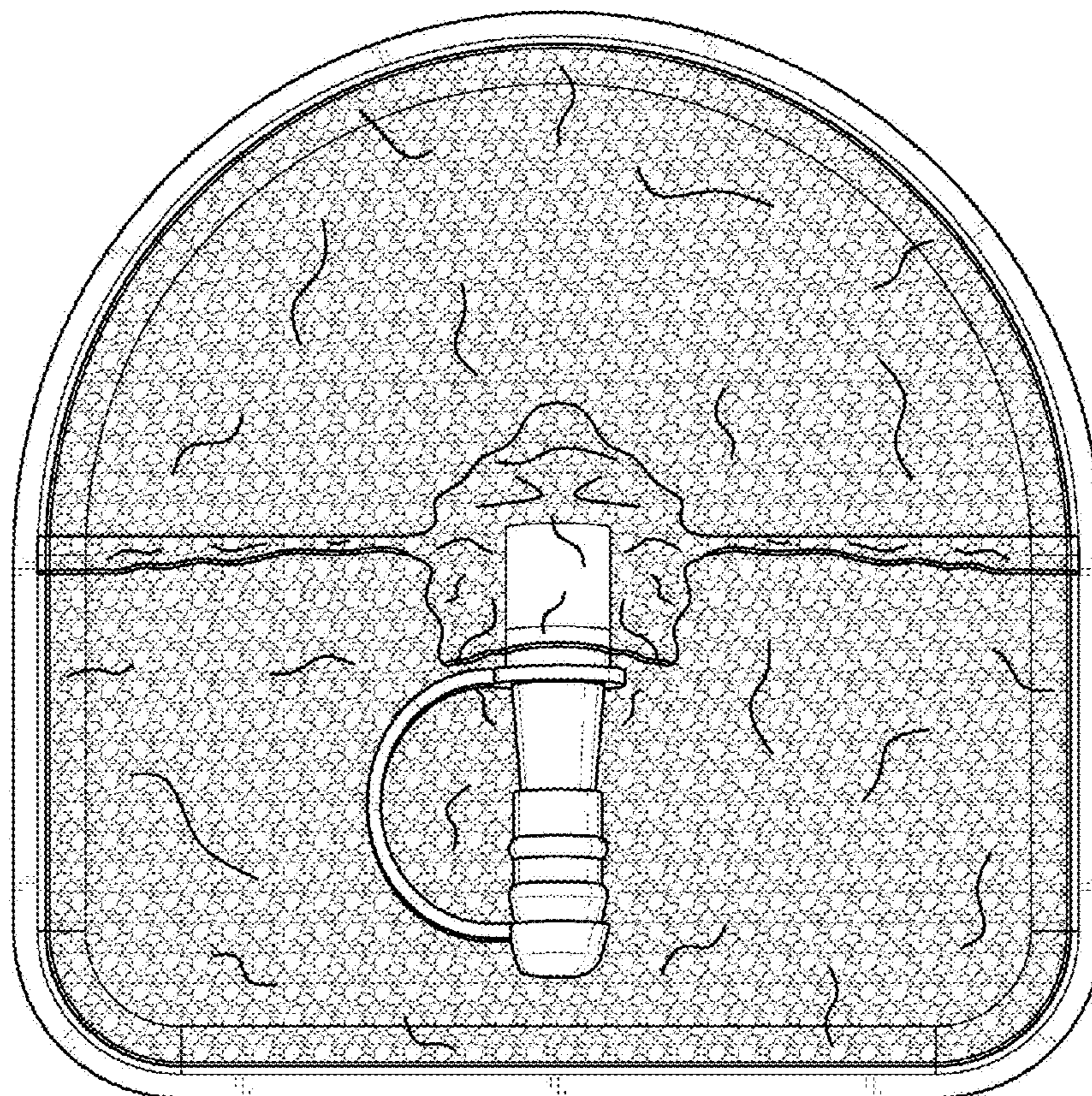
(57) **CLAIM**

The ornamental design for a woundbag, as shown and described.

DESCRIPTION

FIG. 1 is a top view of a woundbag;
FIG. 2 is another top view thereof;
FIG. 3 is a bottom view thereof; and,
FIG. 4 is a side view thereof.

1 Claim, 4 Drawing Sheets



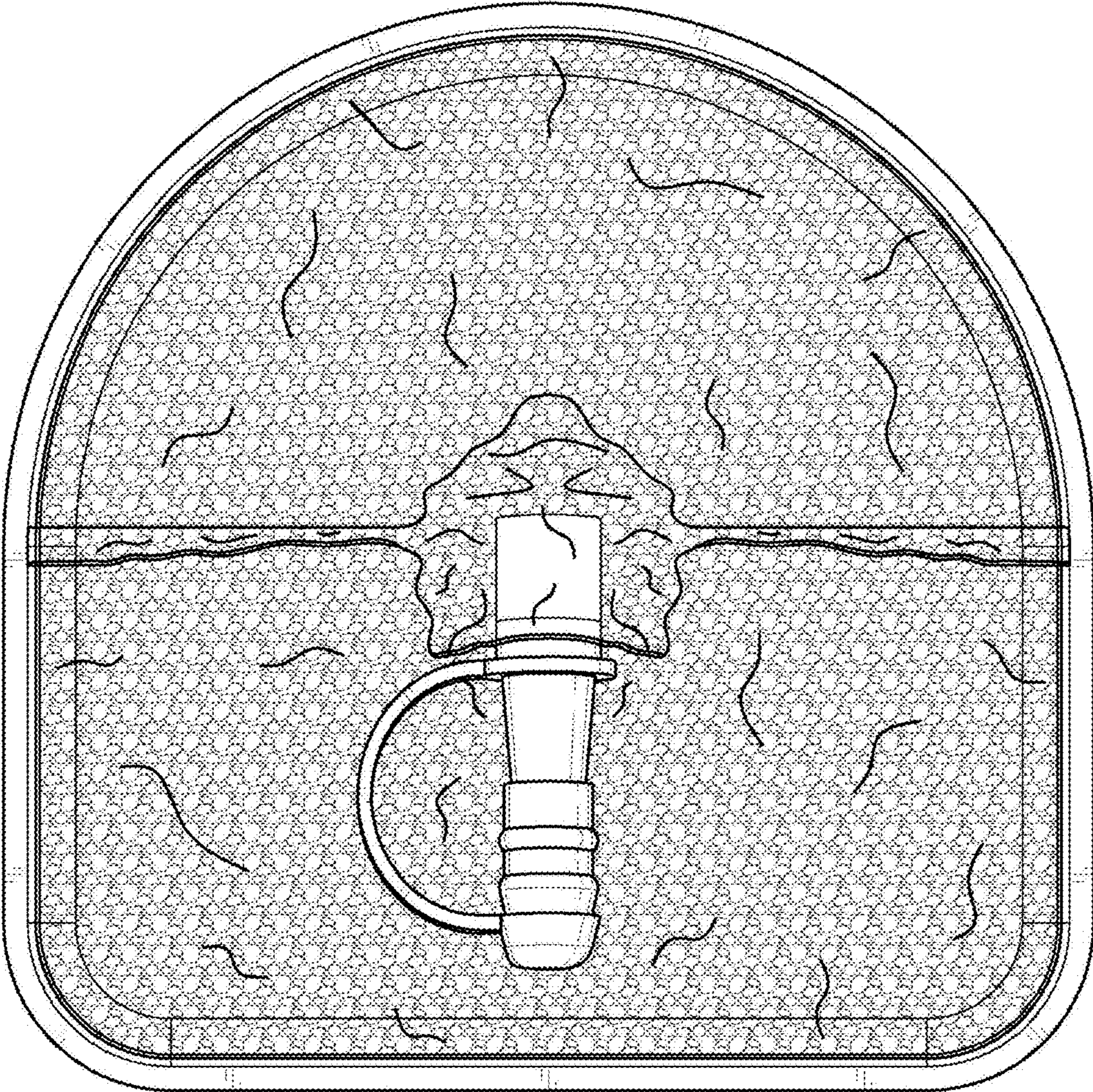


FIG. 1

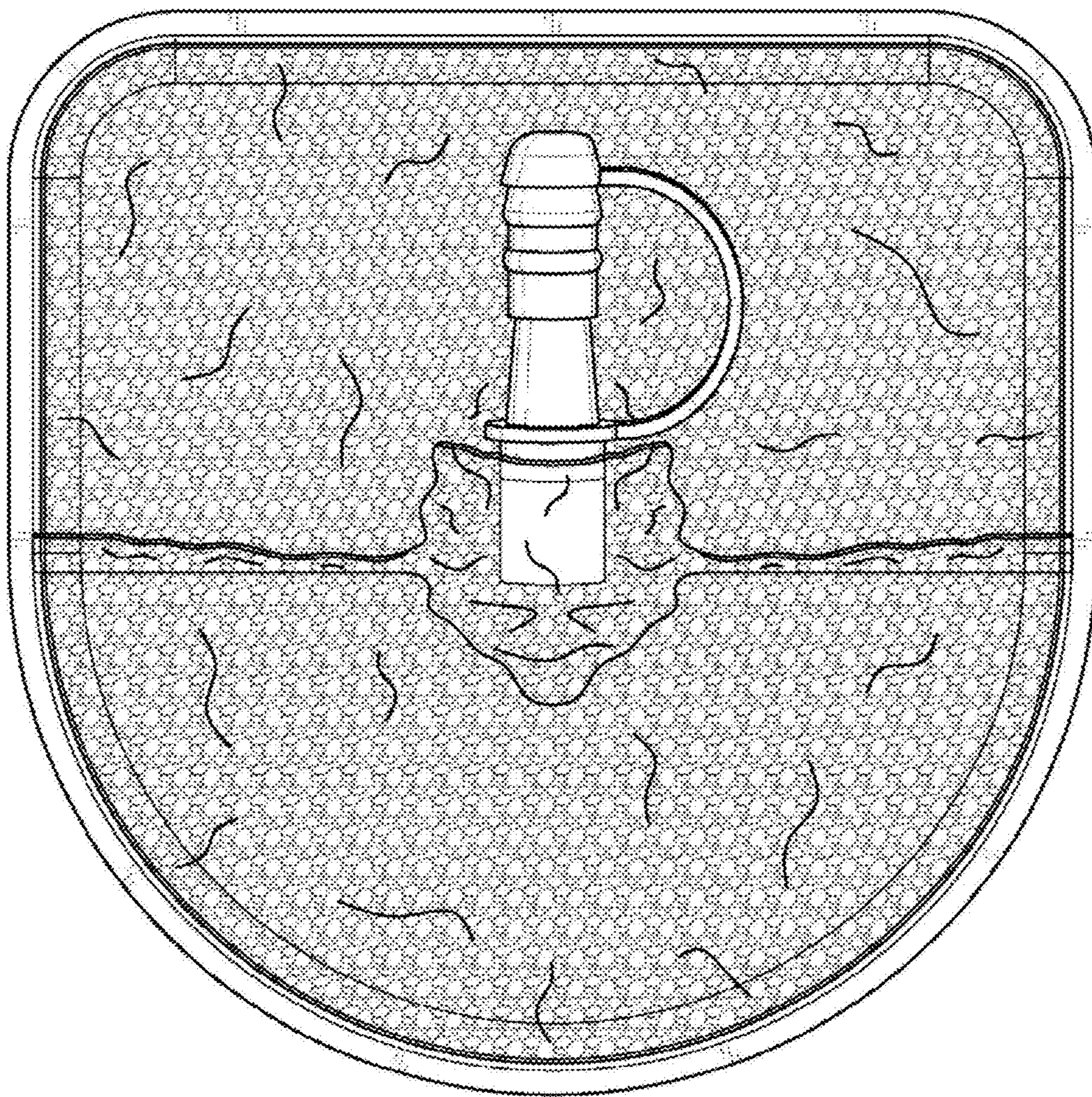


FIG. 2

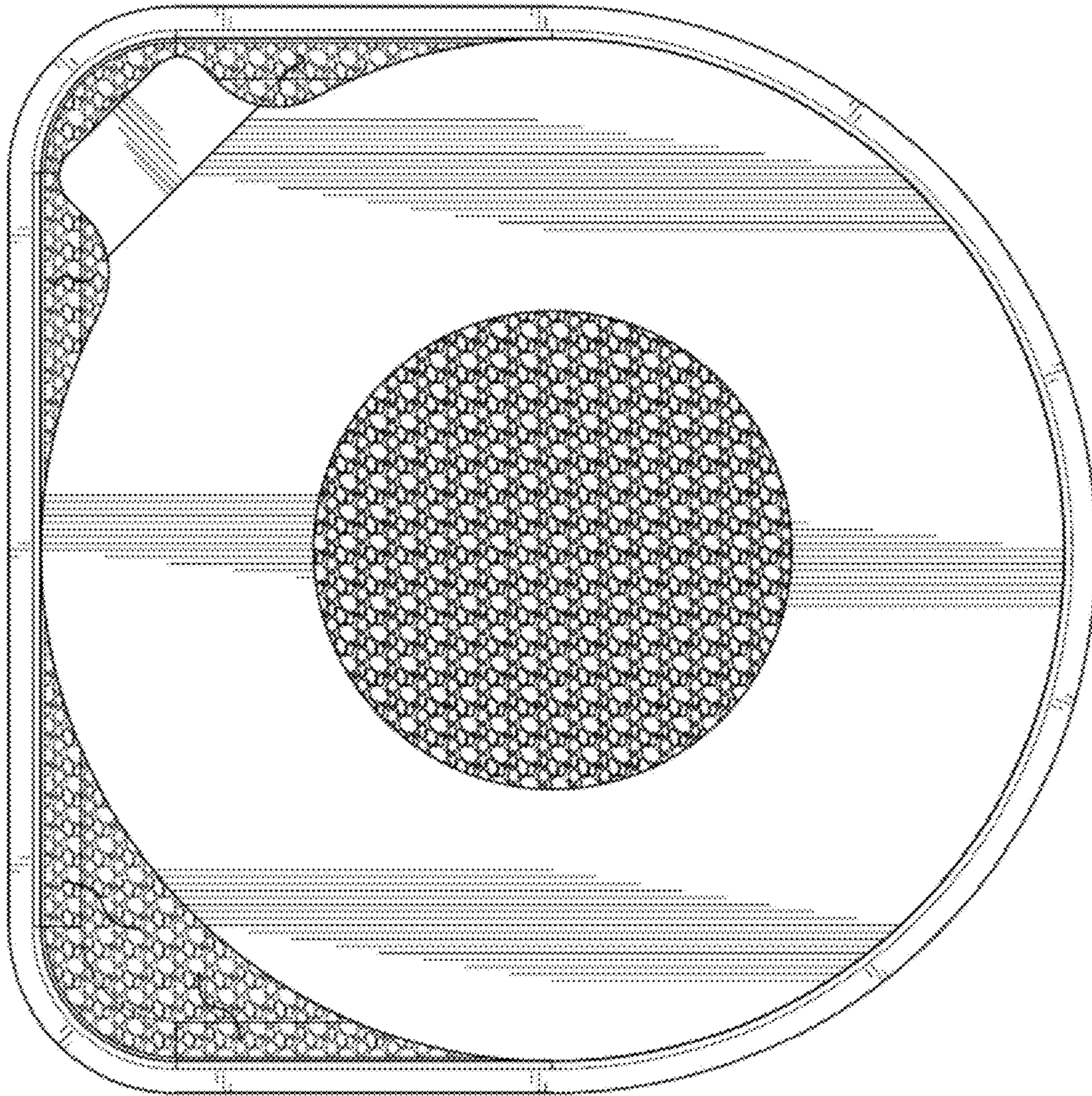


FIG. 3

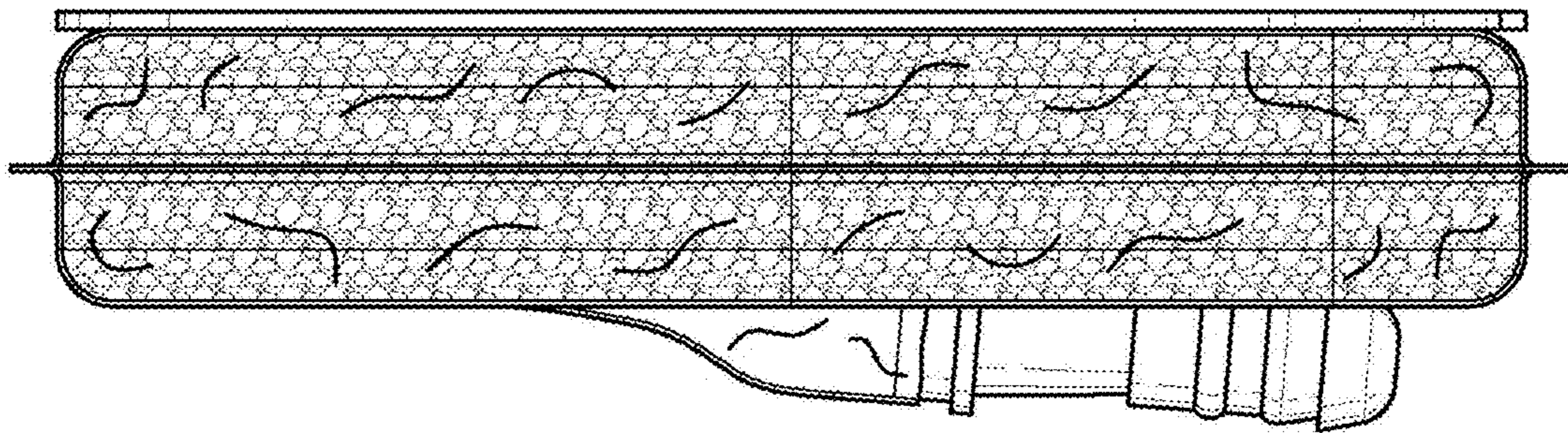


FIG. 4