



US00D822199S

(12) **United States Design Patent**  
**Clawson et al.**

(10) **Patent No.:** **US D822,199 S**  
(45) **Date of Patent:** **\*\* Jul. 3, 2018**

- (54) **DRUG DELIVERY IMPLEMENT**
- (71) Applicant: **MedImmune, LLC**, Gaithersburg, MD (US)
- (72) Inventors: **Corbin Zean Clawson**, Germantown, MD (US); **Roger Wongjung Liu**, Potomac, MD (US); **Janardhanan Anand Subramony**, Potomac, MD (US)
- (73) Assignee: **MedImmune, LLC**, Gaithersburg, MD (US)
- (\*\*) Term: **15 Years**
- (21) Appl. No.: **29/568,880**
- (22) Filed: **Jun. 22, 2016**
- (51) **LOC (11) Cl.** ..... **24-02**
- (52) **U.S. Cl.**  
USPC ..... **D24/113**
- (58) **Field of Classification Search**  
USPC ..... D24/112–114, 133, 186, 104, 127, 130; 606/181, 185; 604/264, 272, 115, 232, 604/187, 158, 164.08, 192, 263, 163, 181, 604/184, 198, 227  
CPC ..... A61M 5/24; A61M 5/31551; A61M 5/31585; A61M 2005/2407; A61K 2300/00  
See application file for complete search history.

- D347,688 S \* 6/1994 Adams ..... D24/130
- 5,498,243 A \* 3/1996 Vallelunga ..... A61M 5/3243 604/187
- 5,509,903 A \* 4/1996 Grendahl ..... A61M 5/178 604/187
- D378,406 S \* 3/1997 Kugler ..... D24/112
- D383,205 S \* 9/1997 Pagay ..... D24/112
- D401,324 S \* 11/1998 Hjertman ..... D24/114
- D419,671 S \* 1/2000 Jansen ..... D24/112
- D436,661 S \* 1/2001 Berry ..... D24/114
- 6,217,550 B1 \* 4/2001 Capes ..... A61M 5/348 604/110
- 6,217,559 B1 \* 4/2001 Foster ..... A61M 5/3243 604/195
- D445,176 S \* 7/2001 Landers ..... D24/108
- D469,178 S \* 1/2003 Courteix ..... D24/130

(Continued)

*Primary Examiner* — David G Muller  
*Assistant Examiner* — Nathan M Johnston  
(74) *Attorney, Agent, or Firm* — The H.T. Than Law Group

(57) **CLAIM**

The ornamental design for a drug delivery implement, as shown and described.

**DESCRIPTION**

FIG. 1 is a perspective view of an ornamental design for a drug delivery implement showing our new design; FIG. 2 is a front elevation view thereof; a rear view being a mirror image thereof; FIG. 3 is a left side elevation view thereof; a right side elevation view being a mirror image thereof; FIG. 4 is a top plan view thereof; FIG. 5 is a bottom plan view thereof; and, FIG. 6 is a perspective view of FIG. 1 with a cap separated from the drug delivery implement. The broken lines illustrate portions of the drug delivery implement with translucent housing and form no part of the claimed design.

**1 Claim, 4 Drawing Sheets**

- (56) **References Cited**  
U.S. PATENT DOCUMENTS  
4,936,833 A \* 6/1990 Sams ..... A61M 5/31553 222/391  
5,092,842 A \* 3/1992 Bechtold ..... A61M 5/20 604/135  
D328,643 S \* 8/1992 Mitchell ..... D24/114  
D335,344 S \* 5/1993 Hastings ..... D24/114  
D338,957 S \* 8/1993 de Faire ..... D24/112



(56)

References Cited

U.S. PATENT DOCUMENTS

D494,677 S *	8/2004	Garvin	.....	D24/130	2004/0225258 A1 *	11/2004	Balestracci	.....	A61M 5/3134
D496,585 S *	9/2004	McBride	.....	D3/294					604/111
D498,139 S *	11/2004	Haggerty	.....	D9/417	2005/0027260 A1 *	2/2005	Wang	.....	A61M 5/3272
D499,021 S *	11/2004	Tiilikka	.....	D9/416					604/198
D520,139 S *	5/2006	Chaggares	.....	D24/186	2005/0063857 A1 *	3/2005	Alheidt	.....	A61M 5/31511
D523,743 S *	6/2006	Solowiejko	.....	D3/294					422/28
7,691,071 B2 *	4/2010	Kojima	.....	A61B 5/0006	2005/0215954 A1 *	9/2005	Fago	.....	B01F 5/0604
				600/347					604/187
D635,244 S *	3/2011	Virr	.....	D24/110	2011/0034879 A1 *	2/2011	Crow	.....	A61M 5/2033
D635,245 S *	3/2011	Virr	.....	D24/110					604/197
8,337,468 B1 *	12/2012	Reis	.....	A61M 5/3257	2011/0046559 A1 *	2/2011	Lum	.....	A61M 5/3137
				604/181					604/189
8,512,279 B2 *	8/2013	Klein	.....	G01N 21/11	2013/0012919 A1 *	1/2013	Becker	.....	A61M 5/315
				604/93.01					604/506
8,821,440 B2 *	9/2014	Sanchez	.....	A61F 9/0017	2014/0025013 A1 *	1/2014	Dowds	.....	A61M 5/3129
				604/113					604/198
2004/0138629 A1 *	7/2004	Cipoletti	.....	A61M 5/3275	2014/0276446 A1 *	9/2014	Bokelman	.....	A61M 5/3221
				604/263					604/198

\* cited by examiner

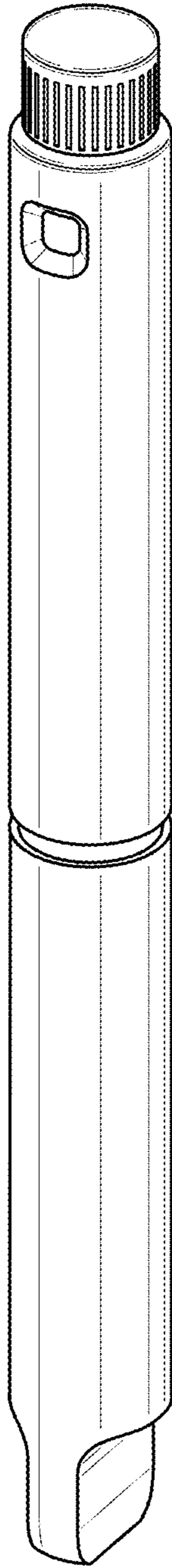


Fig. 1

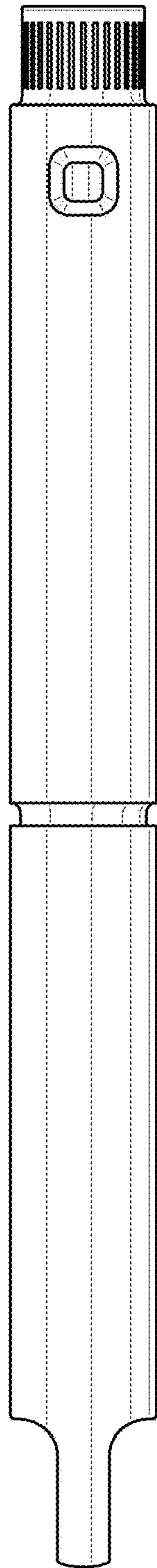


Fig. 2

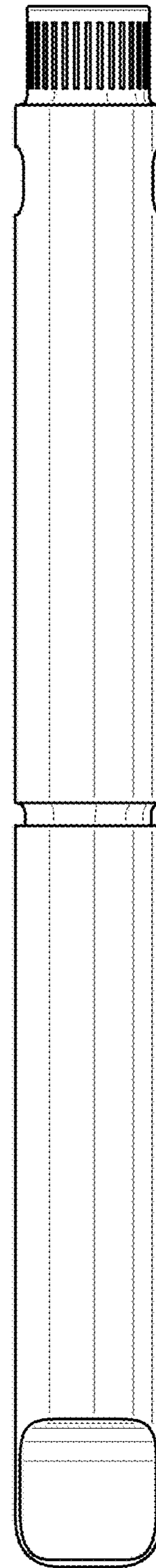


Fig. 3

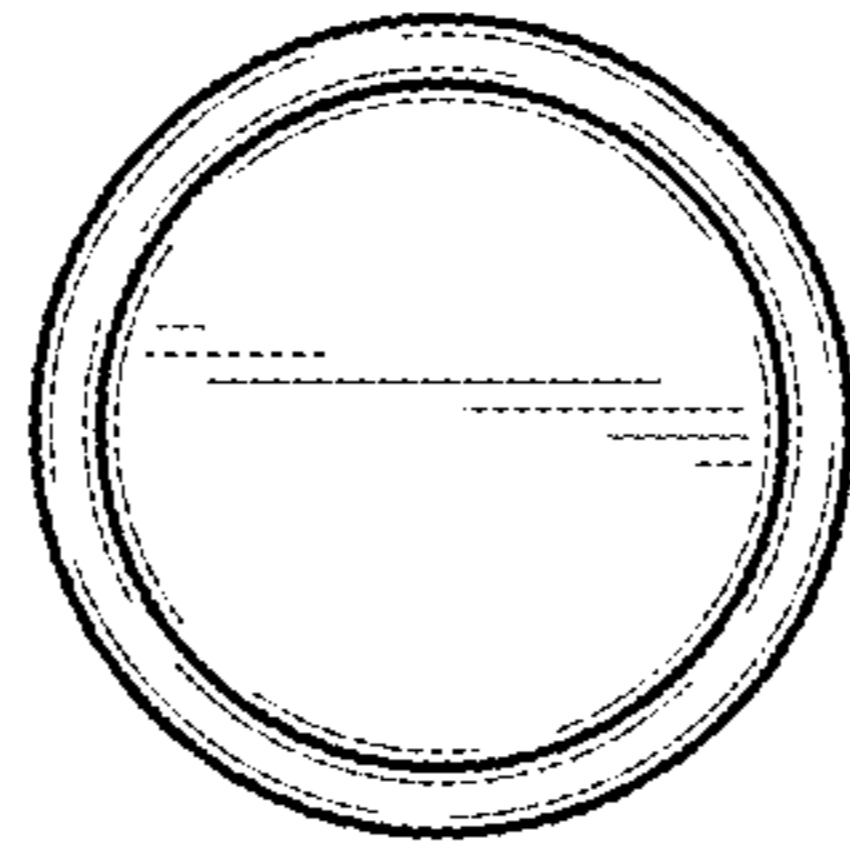


Fig. 4

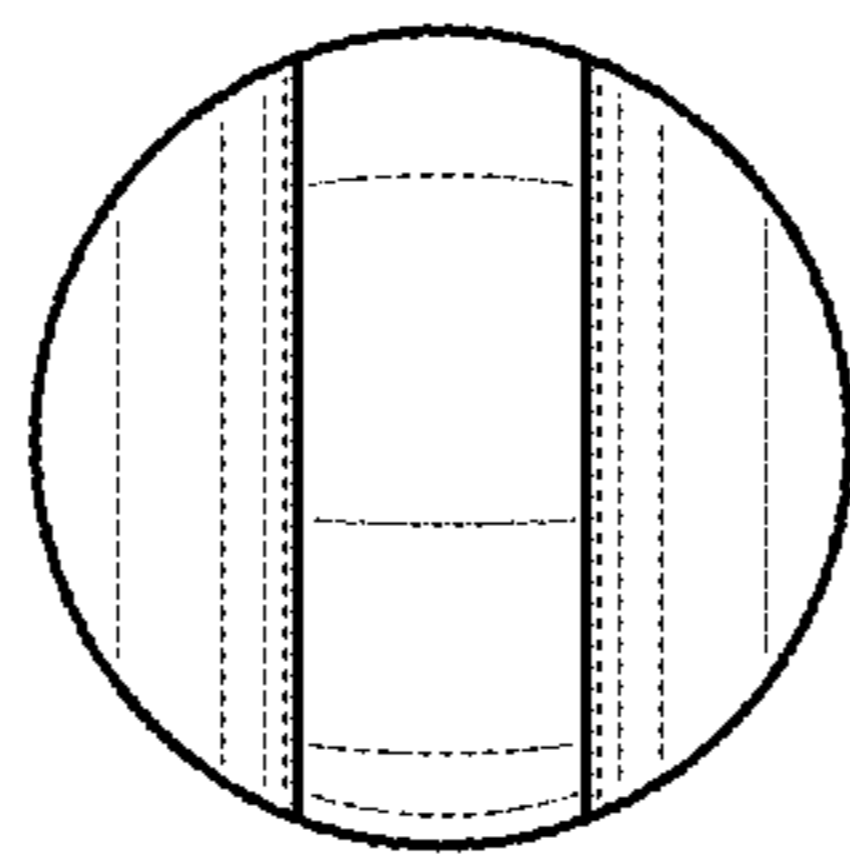


Fig. 5

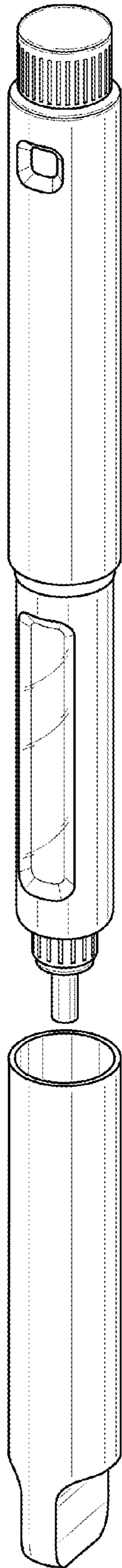


Fig. 6