



US00D822197S

(12) **United States Design Patent**
Stonecipher et al.

(10) **Patent No.:** **US D822,197 S**

(45) **Date of Patent:** **** Jul. 3, 2018**

(54) **ON-BODY INJECTOR FOR DRUG DELIVERY**

CPC A61M 2005/14252; A61M 2005/1581;
A61M 5/14248; A61M 2005/14513;
A61M 2005/206

(71) Applicant: **AMGEN INC.**, Thousand Oaks, CA (US)

See application file for complete search history.

(72) Inventors: **Brian Stonecipher**, Newbury Park, CA (US); **Craig Lester**, Westlake Village, CA (US); **R. Paul Mounce**, Burbank, CA (US); **Eva Stump**, Newbury Park, CA (US); **Michel D. Arney**, Wellesley, MA (US); **Maxwell Franklin Bischoff**, Somerville, MA (US); **Laurie Burns**, St. Louis, MO (US); **Gregg Allen Flender**, Bedford, MA (US); **Barbara Hartigan**, Newbury Park, CA (US); **Gail Devan Hunter**, St. Louis, MO (US); **Gaurav Rohatgi**, Waltham, MA (US); **Bryce George Rutter**, Saint Louis, MO (US); **Megan Marie Rutter**, Saint Louis, MO (US); **Kristin Leigh Sjo-Gaber**, West Roxbury, MA (US)

(56) **References Cited**

U.S. PATENT DOCUMENTS

D370,011 S *	5/1996	Lindeman	D14/137
D445,496 S *	7/2001	Anderson	D24/110
D495,303 S *	8/2004	Coullahan	D13/168
D544,092 S *	6/2007	Lewis	D24/108
D622,685 S *	8/2010	Garra	D14/137

(Continued)

Primary Examiner — David G Muller

Assistant Examiner — Nathan M Johnston

(74) *Attorney, Agent, or Firm* — Marshall, Gerstein & Borun LLP

(73) Assignee: **AMGEN INC.**, Thousand Oaks, CA (US)

(57) **CLAIM**

The ornamental design for an on-body injector for drug delivery, as shown and described.

(**) Term: **15 Years**

DESCRIPTION

(21) Appl. No.: **29/554,322**

(22) Filed: **Feb. 10, 2016**

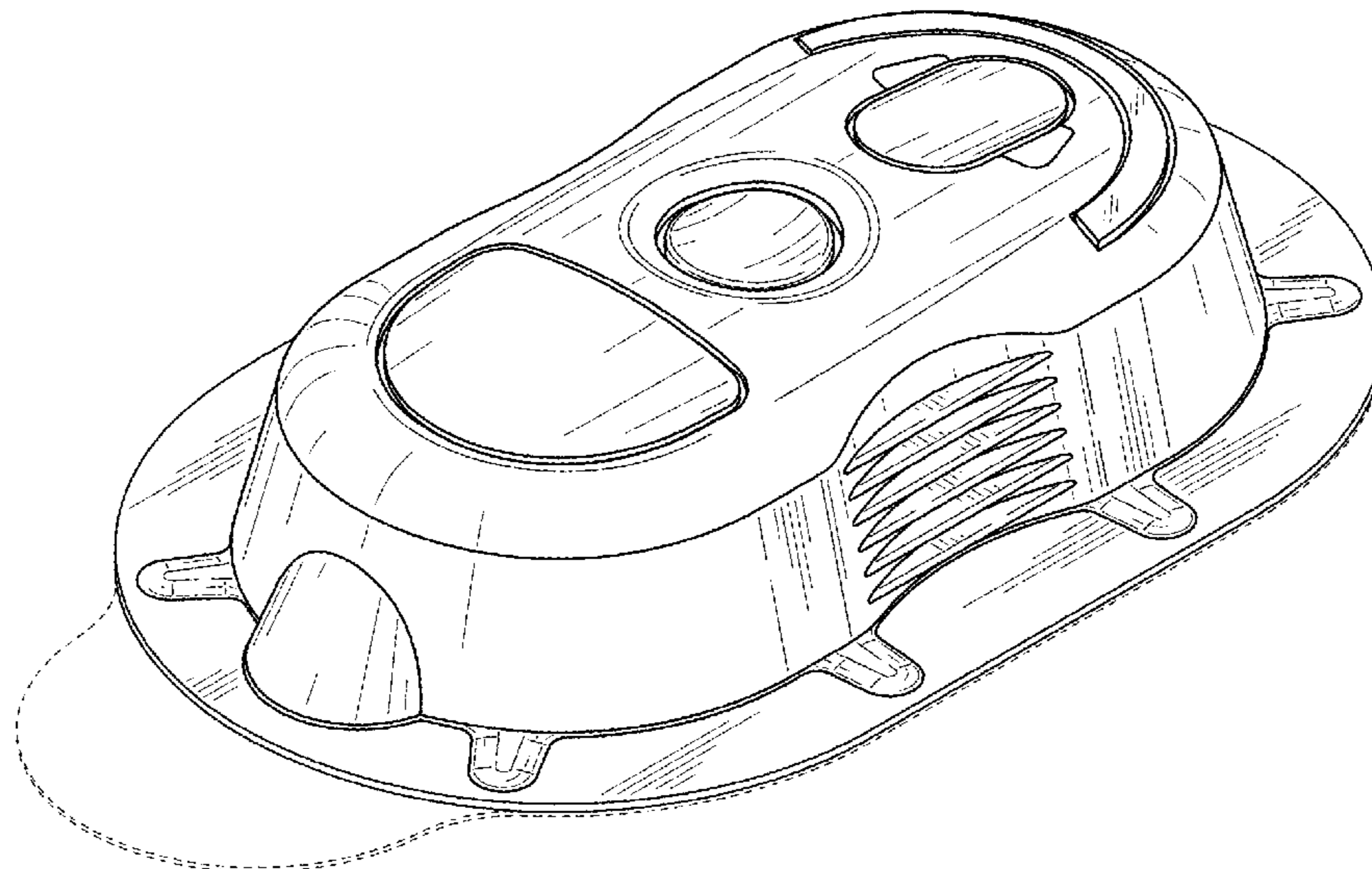
(51) **LOC (11) Cl.** **24-02**

(52) **U.S. Cl.**
USPC **D24/112**

(58) **Field of Classification Search**
USPC D24/112–114, 133, 186, 104, 130, 127,
D24/176, 108, 110, 220; 606/181, 185;
604/232, 187, 158, 164.08, 192, 263, 163,
604/181, 184, 198, 227, 168.01, 275,
604/890.1; D9/414, 424, 417, 426;
D14/191, 137

FIG. 1 is a perspective view showing a new design for an on-body injector for drug delivery;
FIG. 2 is a top view of the on-body injector of FIG. 1;
FIG. 3 is a bottom view of the on-body injector of FIG. 1;
FIG. 4 is a right-side view of the on-body injector of FIG. 1;
FIG. 5 is a left-side view of the on-body injector of FIG. 1;
FIG. 6 is a back view of the on-body injector of FIG. 1; and,
FIG. 7 is a front view of the on-body injector of FIG. 1.
The dashed lines showing portions of the on-body injector for drug delivery are included for the purpose of illustrating environment and form no part of the claimed design.

1 Claim, 3 Drawing Sheets



(56)

References Cited

U.S. PATENT DOCUMENTS

7,976,493 B2 * 7/2011 Carter A61M 5/14244
604/67
D714,266 S * 9/2014 Okamura D14/191
D769,438 S * 10/2016 Crosby D24/110
2009/0254041 A1 * 10/2009 Krag A61M 5/14224
604/180
2011/0306929 A1 * 12/2011 Levesque A61M 5/322
604/150
2014/0276576 A1 * 9/2014 Cole A61M 5/158
604/506
2015/0250943 A1 * 9/2015 Momose A61M 5/14276
604/151
2015/0306307 A1 * 10/2015 Cole A61M 5/14248
604/508

* cited by examiner

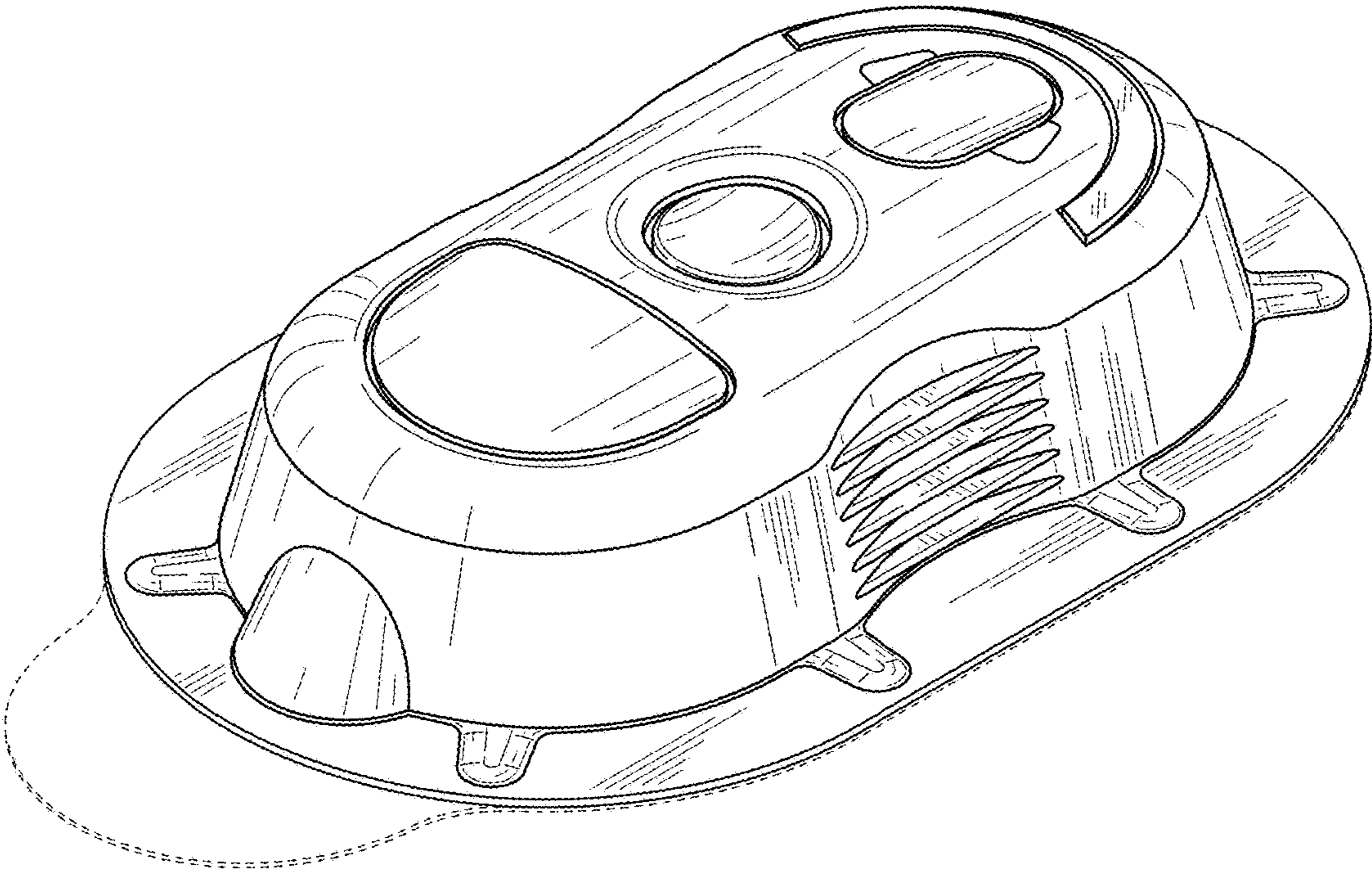


FIG. 1

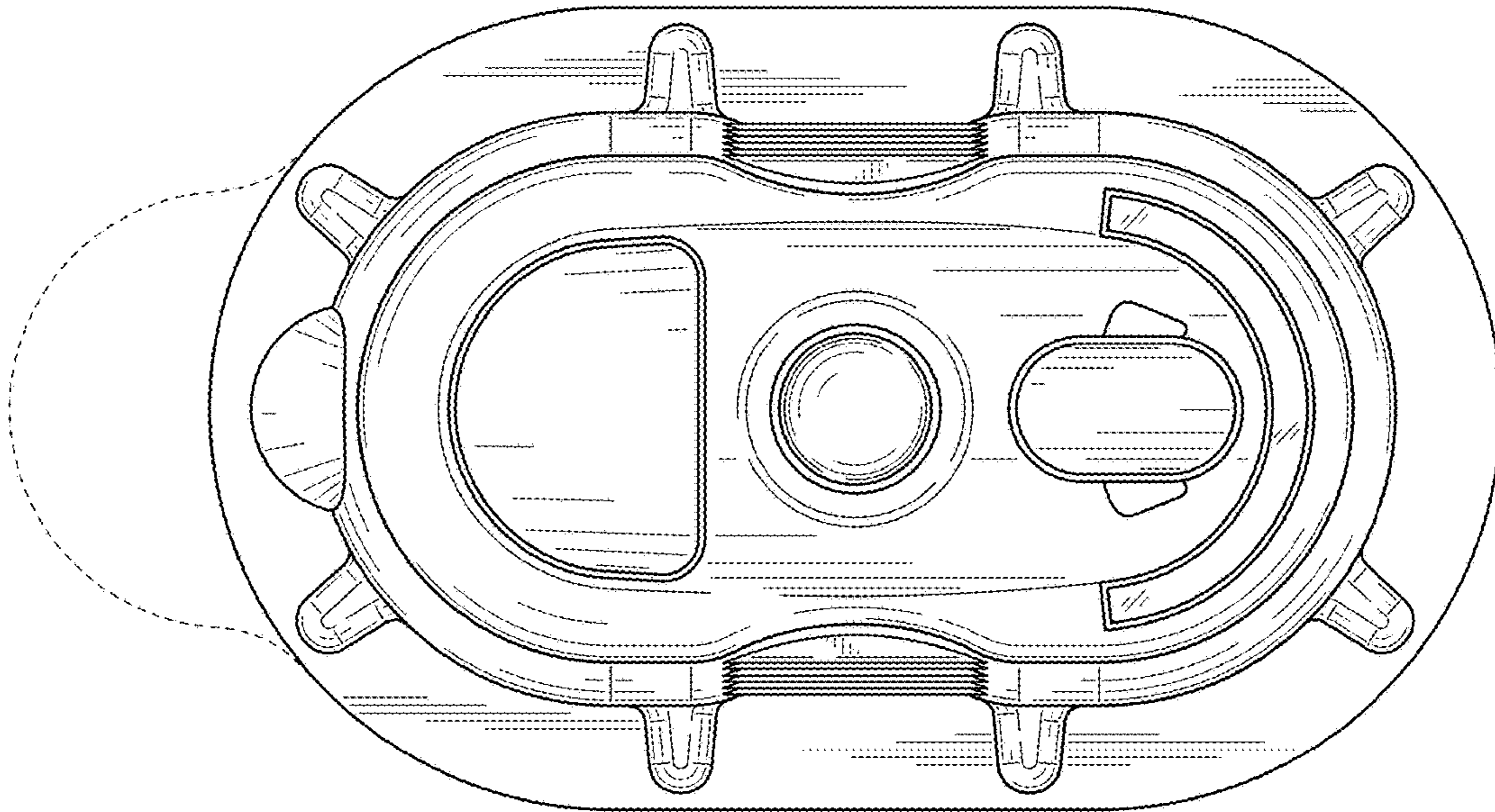


FIG. 2

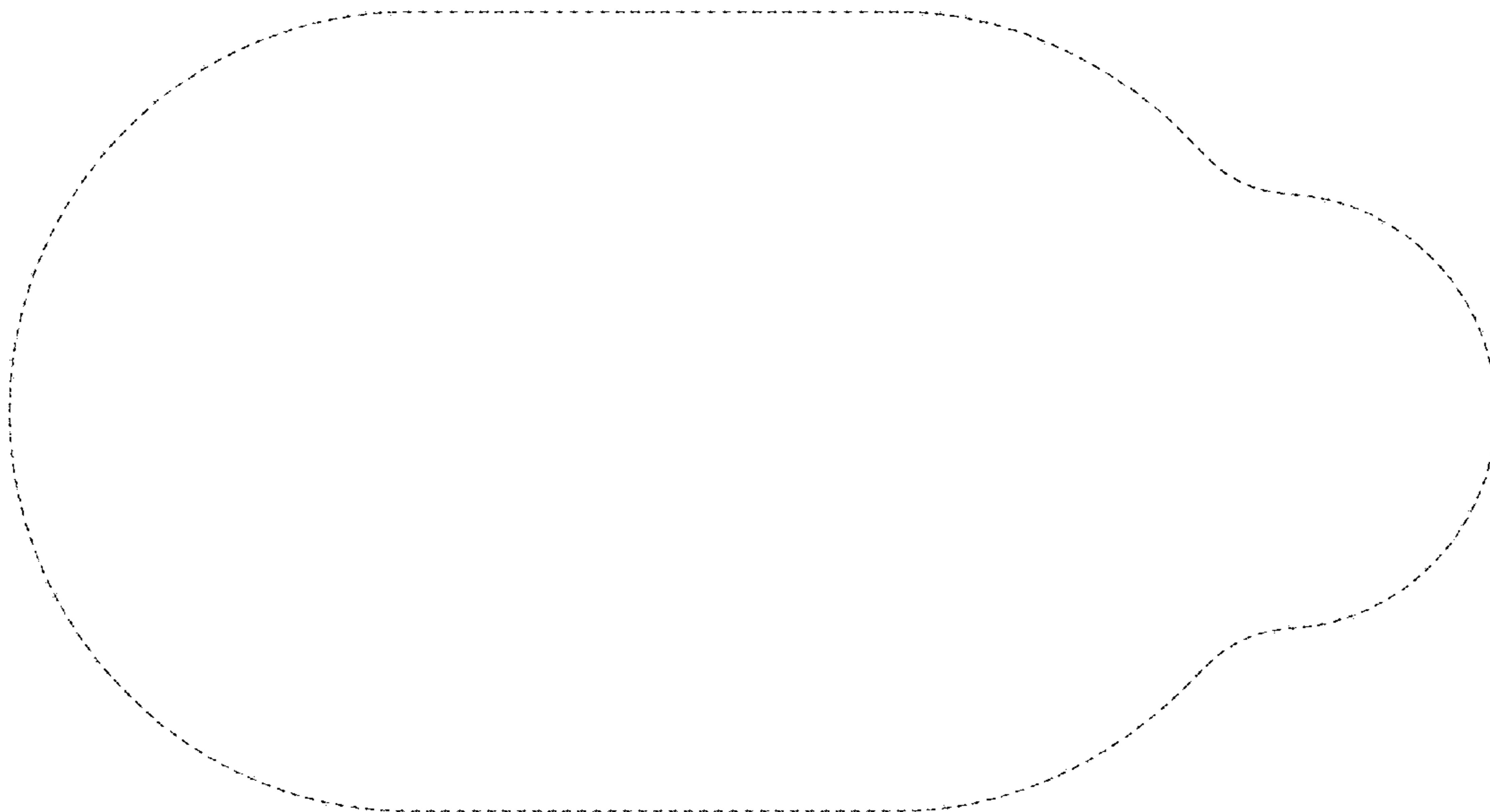


FIG. 3

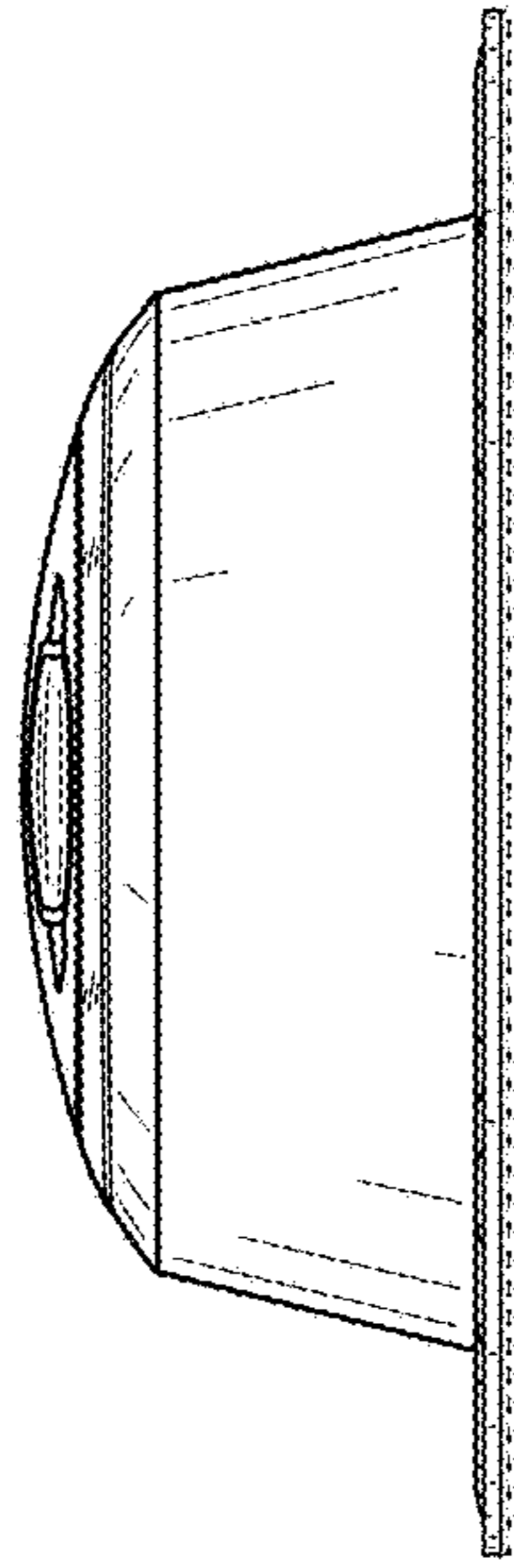


FIG. 4

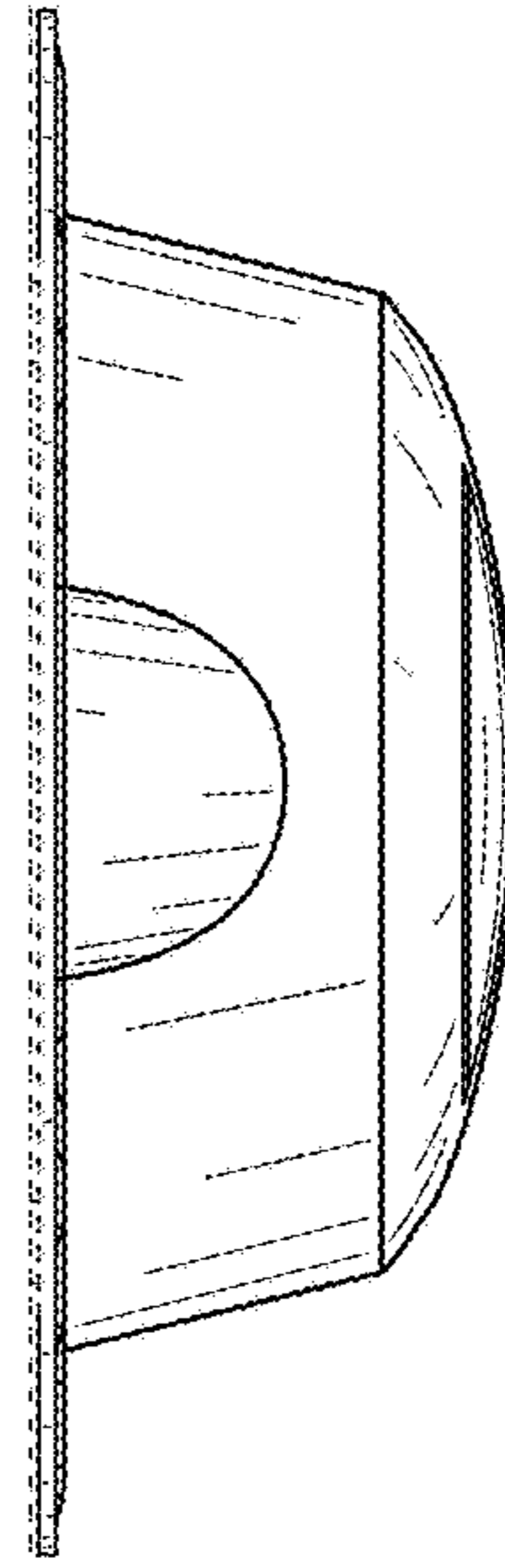


FIG. 5

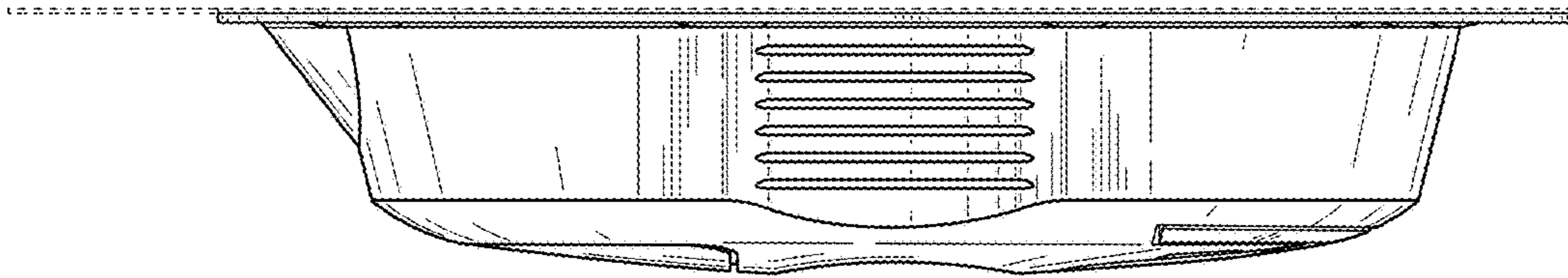


FIG. 6

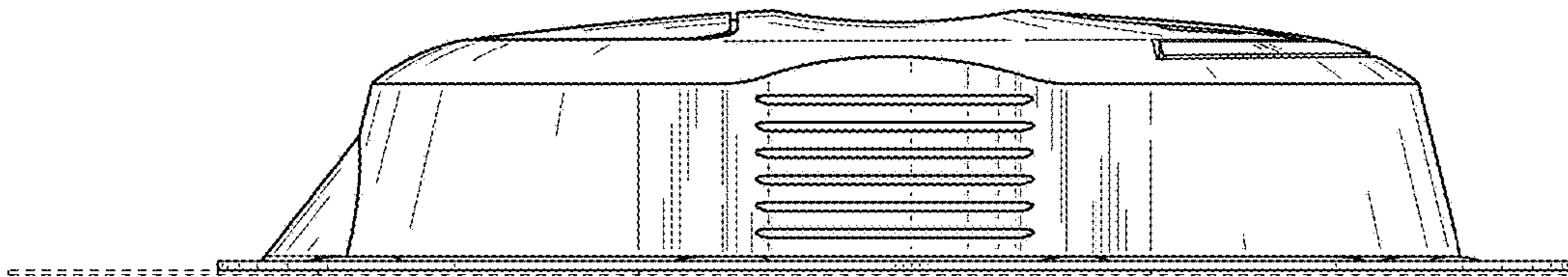


FIG. 7