



US00D822194S

(12) **United States Design Patent**
Walls et al.

(10) **Patent No.:** **US D822,194 S**
(45) **Date of Patent:** **** Jul. 3, 2018**

- (54) **HEADGEAR ASSEMBLY FOR BREATHING INTERFACE**
- (71) Applicant: **Fisher & Paykel Healthcare Limited, Auckland (NZ)**
- (72) Inventors: **Bruce Michael Walls, Auckland (NZ); Rex Gordon Faithfull, Auckland (NZ); Arvin San Jose Gardiola, Auckland (NZ); Wen Dong Huang, Auckland (NZ)**
- (73) Assignee: **Fisher & Paykel Healthcare Limited, Auckland (NZ)**
- (**) Term: **15 Years**
- (21) Appl. No.: **29/582,556**
- (22) Filed: **Oct. 28, 2016**

- 5,517,986 A 5/1996 Starr et al.
- D383,204 S 9/1997 Lomas
- 6,119,694 A 9/2000 Correa et al.
- D487,312 S * 3/2004 Bailey D24/110.1
- D542,912 S 5/2007 Guanaratnam
- D653,748 S 2/2012 Henry
- D668,328 S 10/2012 Hill et al.
- D685,463 S 7/2013 Veliss et al.
- D693,459 S 11/2013 Prentice et al.
- D696,767 S 12/2013 Scheiner et al.

(Continued)

Primary Examiner — Barbara Fox
Assistant Examiner — Lilyana Bekic
(74) *Attorney, Agent, or Firm* — Knobbe, Martens, Olson & Bear, LLP

(57) **CLAIM**

The ornamental design for a headgear assembly for breathing interface, as shown and described.

DESCRIPTION

FIG. 1 is a rear, right perspective view of a crown strap portion of a headgear assembly for breathing interface, shown separately from the headgear for ease of illustration; FIG. 2 is a top view thereof; FIG. 3 is a rear view thereof; FIG. 4 is a left side view thereof; FIG. 5 is a top view thereof; FIG. 6 is a front view thereof; FIG. 7 is a bottom view thereof; FIG. 8 is a front, right perspective view of the headgear assembly for breathing interface; FIG. 9 is a rear, right perspective view thereof; FIG. 10 is a right side view thereof; FIG. 11 is a rear view thereof; FIG. 12 is a left side view thereof; FIG. 13 is a top view thereof; FIG. 14 is a front view thereof; and, FIG. 15 is a bottom view thereof.

Related U.S. Application Data

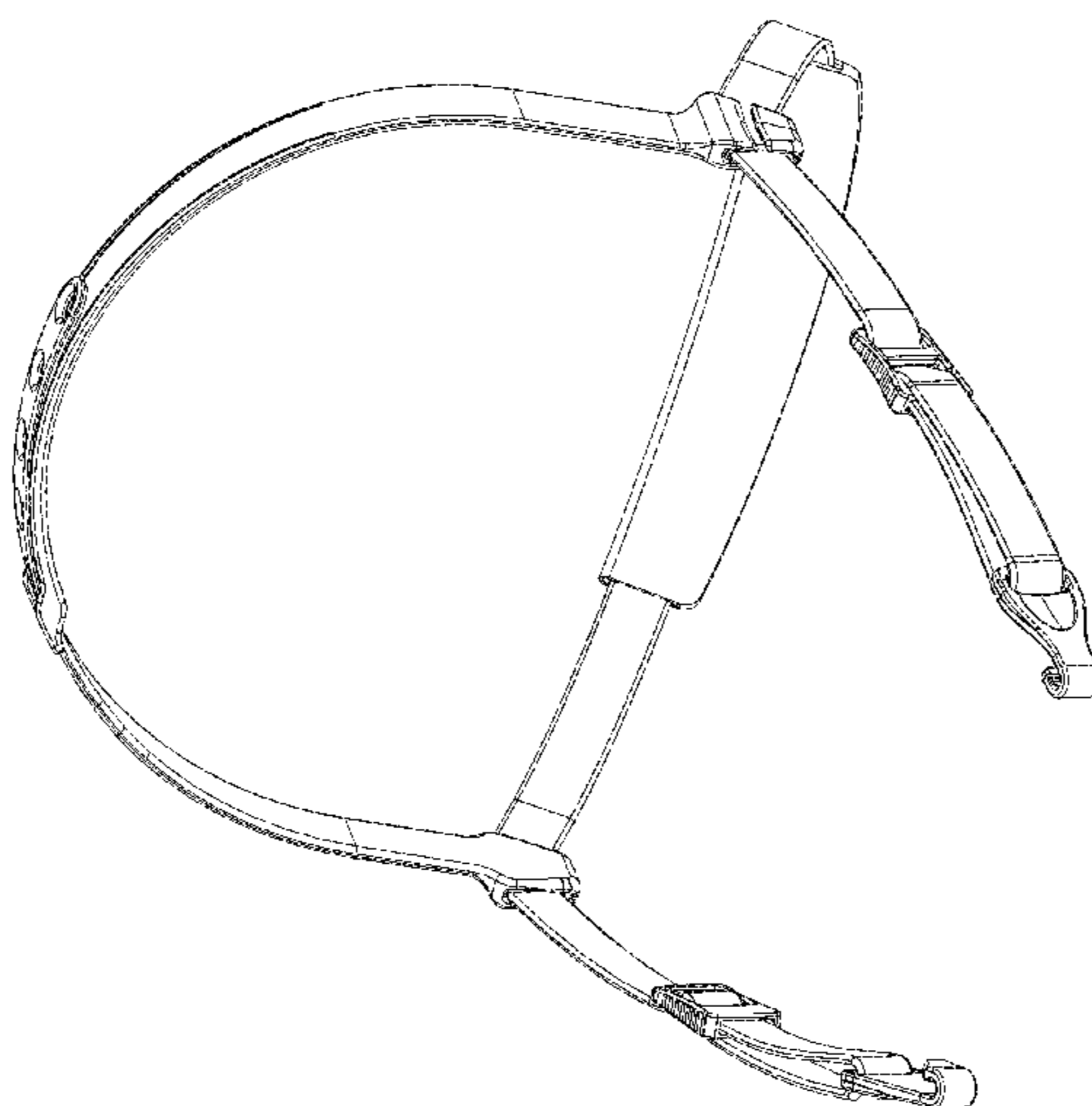
- (62) Division of application No. 29/490,331, filed on May 8, 2014, now Pat. No. Des. 771,239.
- (51) **LOC (11) Cl.** **29-02**
- (52) **U.S. Cl.**
USPC **D24/110.1**
- (58) **Field of Classification Search**
USPC D24/110–110.5, 127; D29/108, 122
CPC A61M 16/0622; A61M 16/0616; A61M 16/0605; A61M 16/0644; A61M 16/0633; A61M 16/06; A61M 16/0683
See application file for complete search history.

(56) **References Cited**

U.S. PATENT DOCUMENTS

- D189,112 S 10/1960 Klinger
- 3,047,876 A 8/1962 Malcolm
- 3,457,564 A 7/1969 Holloway

1 Claim, 15 Drawing Sheets



(56)

References Cited

U.S. PATENT DOCUMENTS

D704,329 S *	5/2014	Collazo	D24/110.1	2011/0308520 A1*	12/2011	McAuley	A61M 16/0666
D706,413 S	6/2014	Veliss et al.					128/203.26
D709,181 S *	7/2014	Henry	D24/110.1	2012/0067349 A1*	3/2012	Barlow	A61M 16/06
8,839,785 B2	9/2014	Castiglione et al.					128/205.25
8,875,318 B2	11/2014	Huh		2012/0090622 A1*	4/2012	Chang	A61M 16/0666
D762,844 S *	8/2016	Siew	D24/110.1				128/207.18
D770,036 S *	10/2016	Walls	D24/110.4	2013/0042871 A1*	2/2013	Chang	A61M 16/06
D771,239 S *	11/2016	Walls	D24/110.1				128/205.25
9,629,974 B2*	4/2017	Gibson	A61M 16/0683	2013/0186403 A1*	7/2013	Chang	A61M 16/0666
2006/0196511 A1	9/2006	Lau et al.					128/205.25
2006/0237017 A1	10/2006	Davidson et al.		2013/0199537 A1*	8/2013	Formica	A61M 16/06
2007/0245466 A1	10/2007	Lilenthal et al.					128/205.25
2009/0044808 A1	2/2009	Guney et al.		2013/0220327 A1	8/2013	Barlow et al.	
2009/0183739 A1	7/2009	Wondka		2014/0000614 A1*	1/2014	Chang	A61M 16/0666
2010/0258136 A1	10/2010	Doherty					128/205.25
2011/0000492 A1	1/2011	Veliss		2014/0283843 A1*	9/2014	Eves	A61M 11/00
2011/0232649 A1*	9/2011	Collazo	A61M 16/06				128/206.24
			128/207.18	2015/0151071 A1*	6/2015	Von Moger	A61M 39/1055
2011/0259335 A1*	10/2011	Sullivan	A61M 16/0683				128/202.27
			128/205.25	2016/0074611 A1*	3/2016	Higgins	A61M 16/0666
							128/206.24
				2016/0287830 A1*	10/2016	Walls	A61M 16/0683
				2017/0080173 A1*	3/2017	Barlow	A61M 16/0683

* cited by examiner

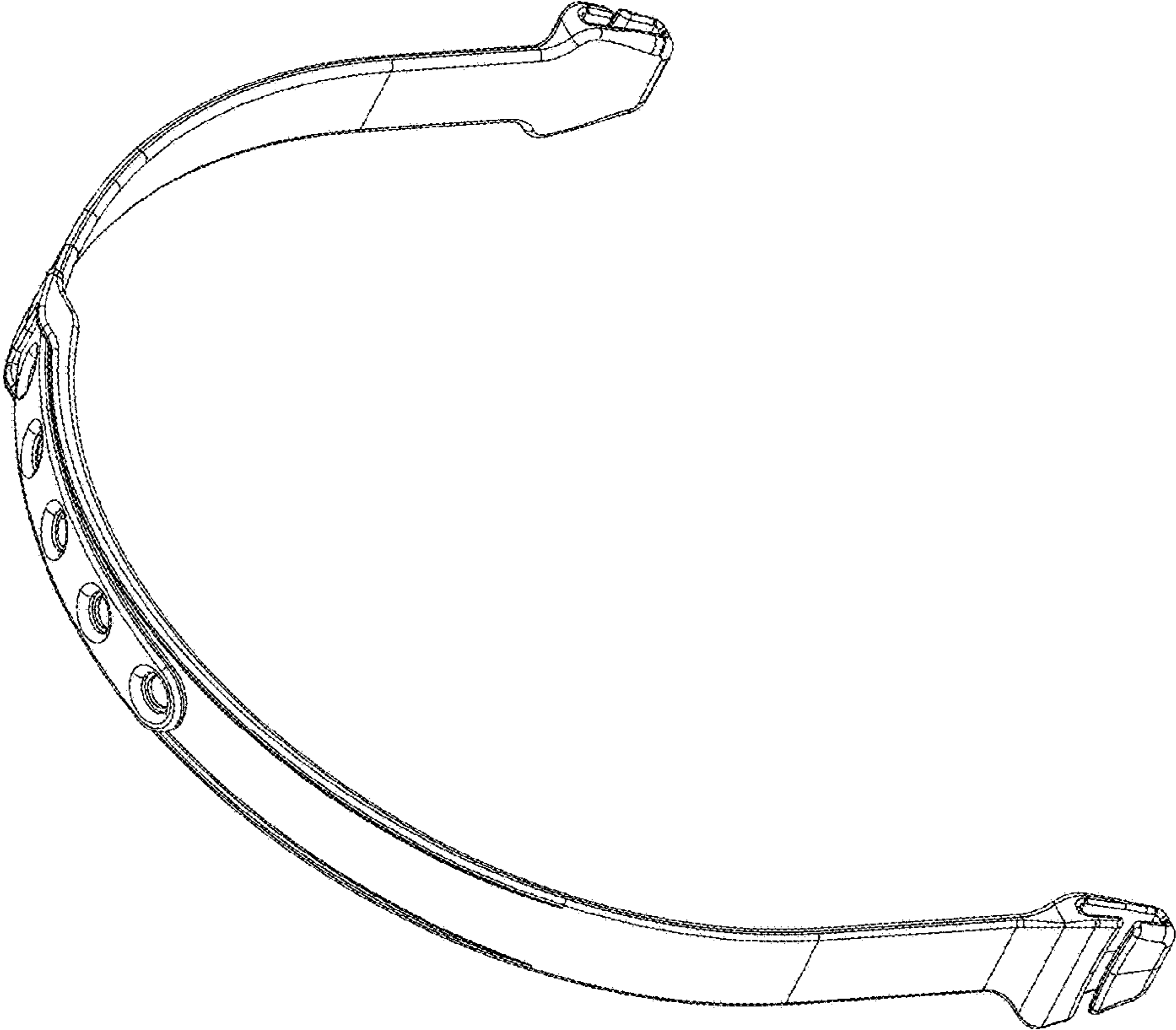


FIG. 1

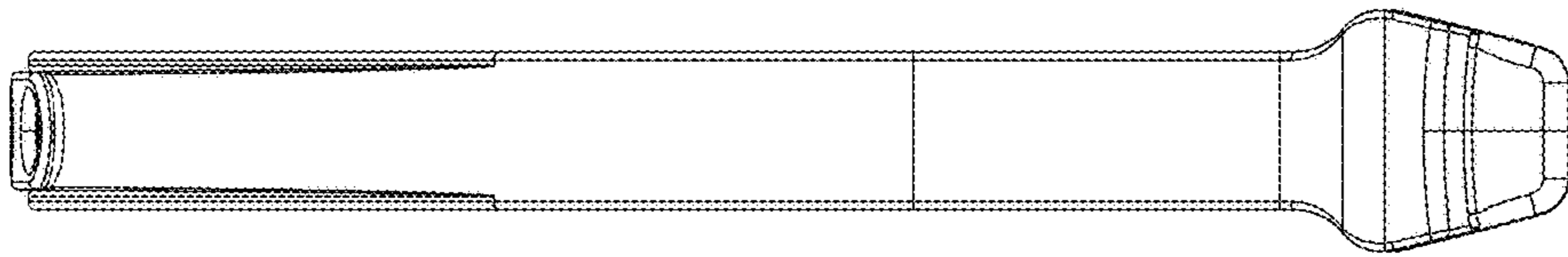


FIG. 2



FIG. 3

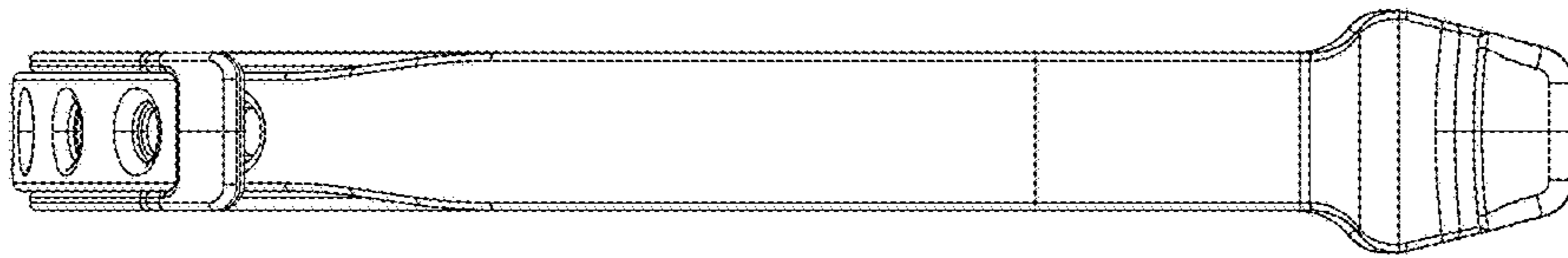


FIG. 4

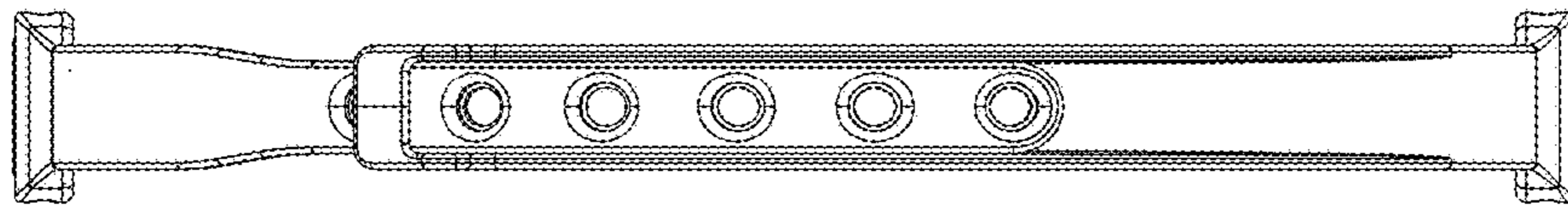


FIG. 5



FIG. 6

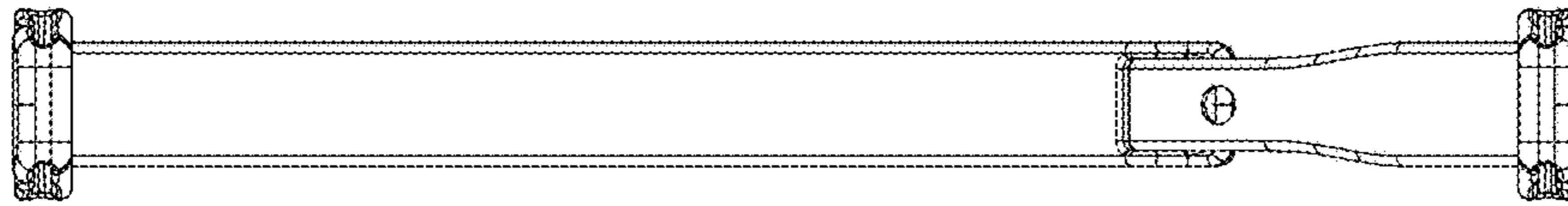


FIG. 7

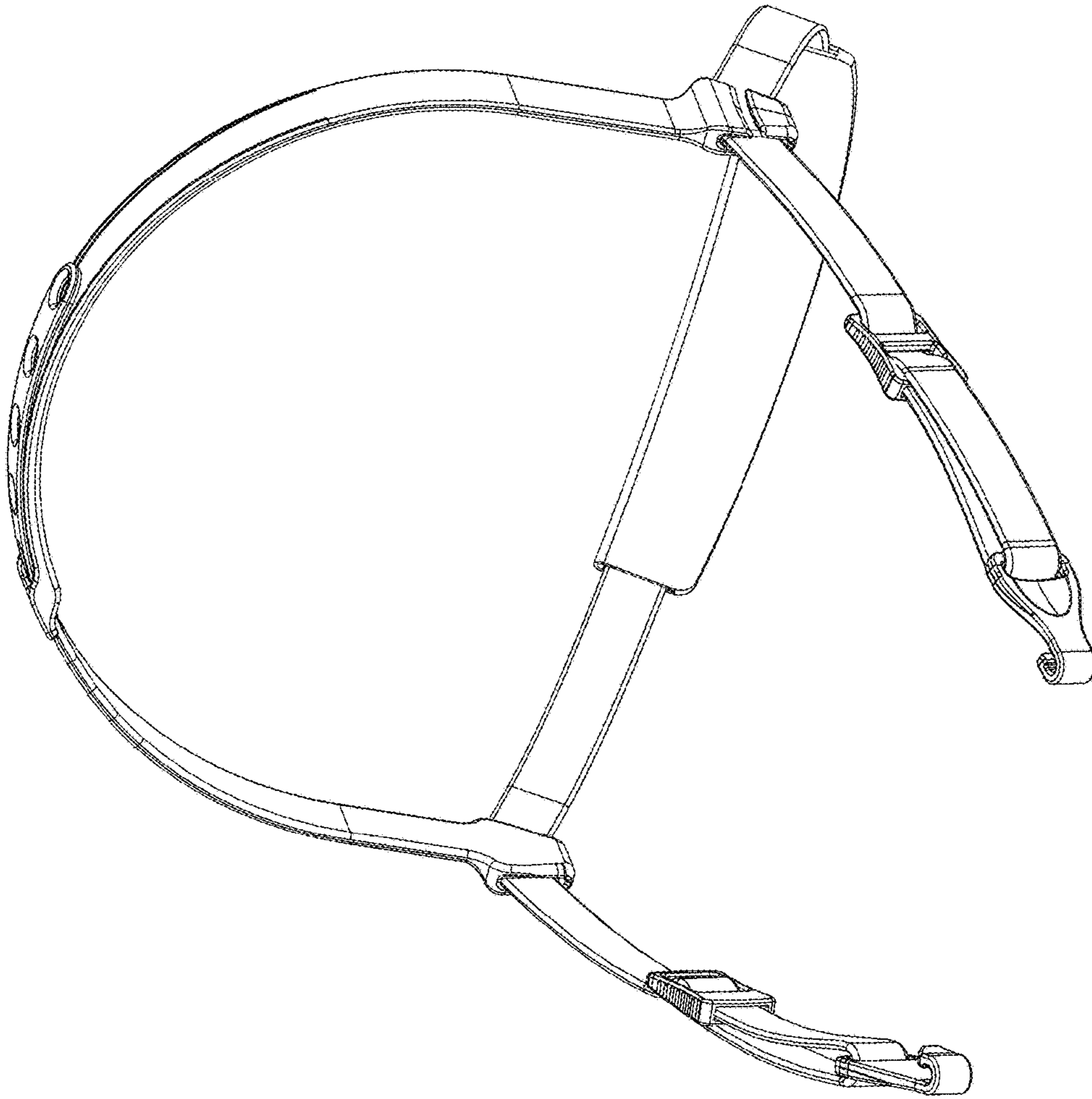


FIG. 8

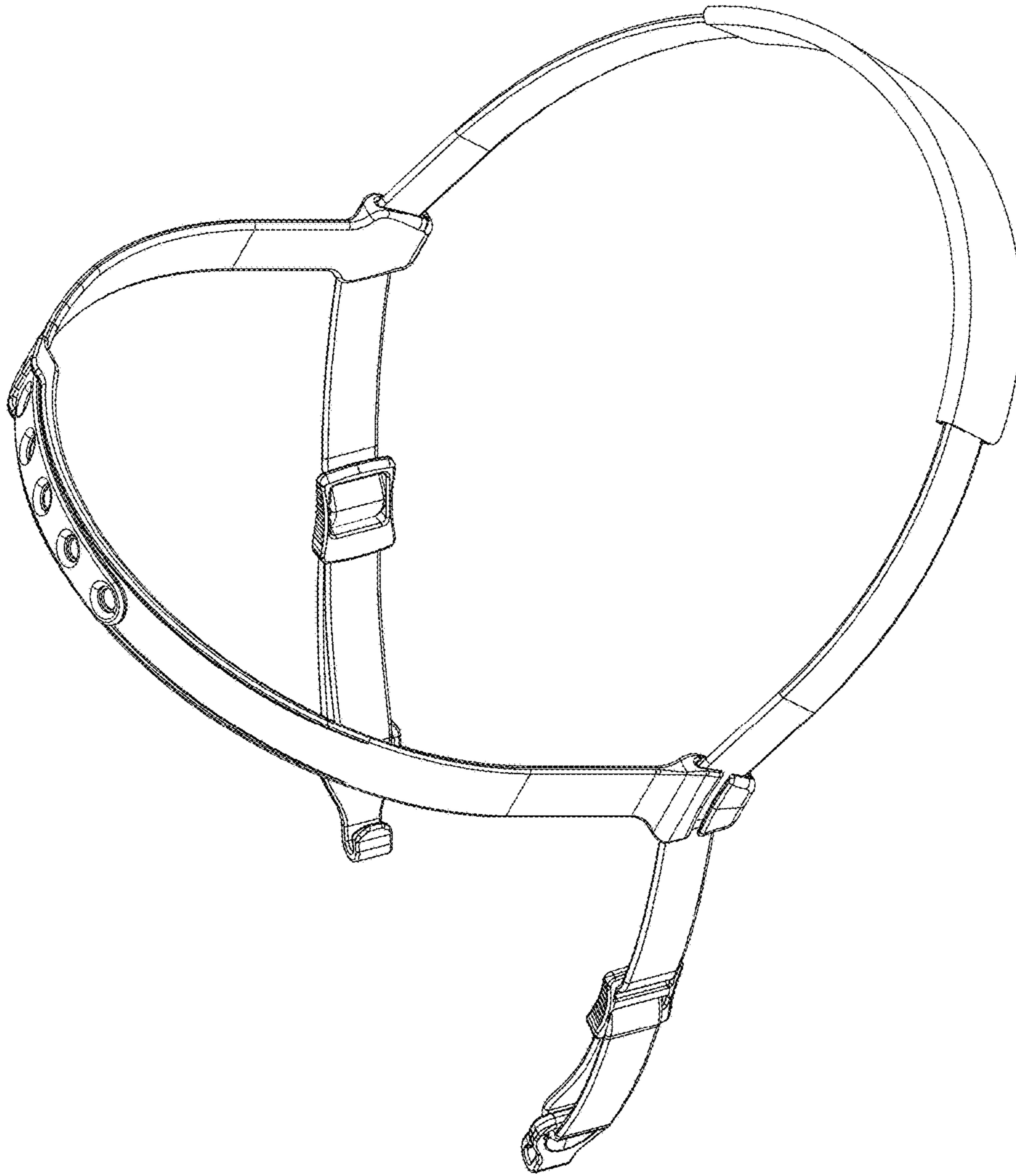


FIG. 9

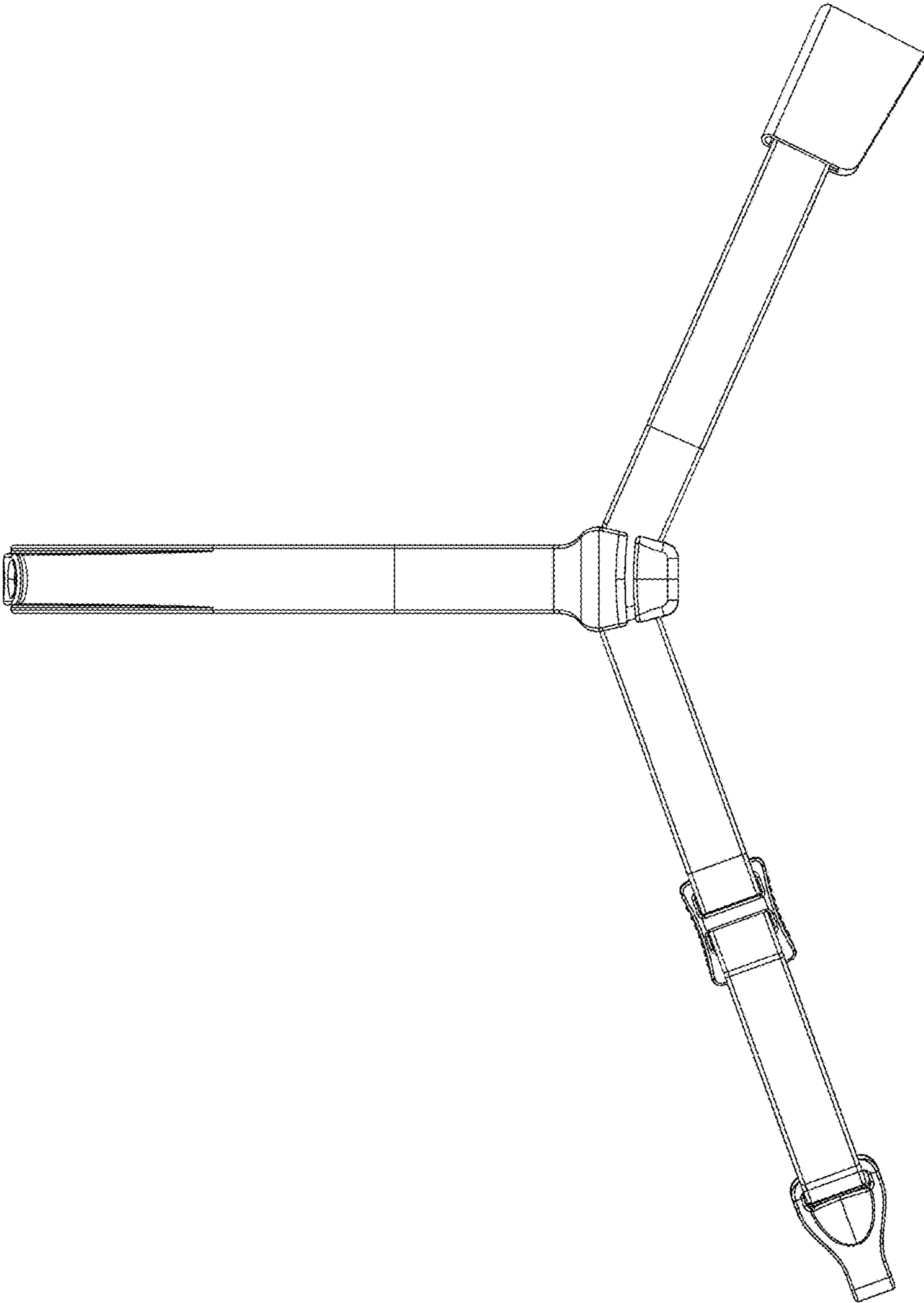


FIG. 10

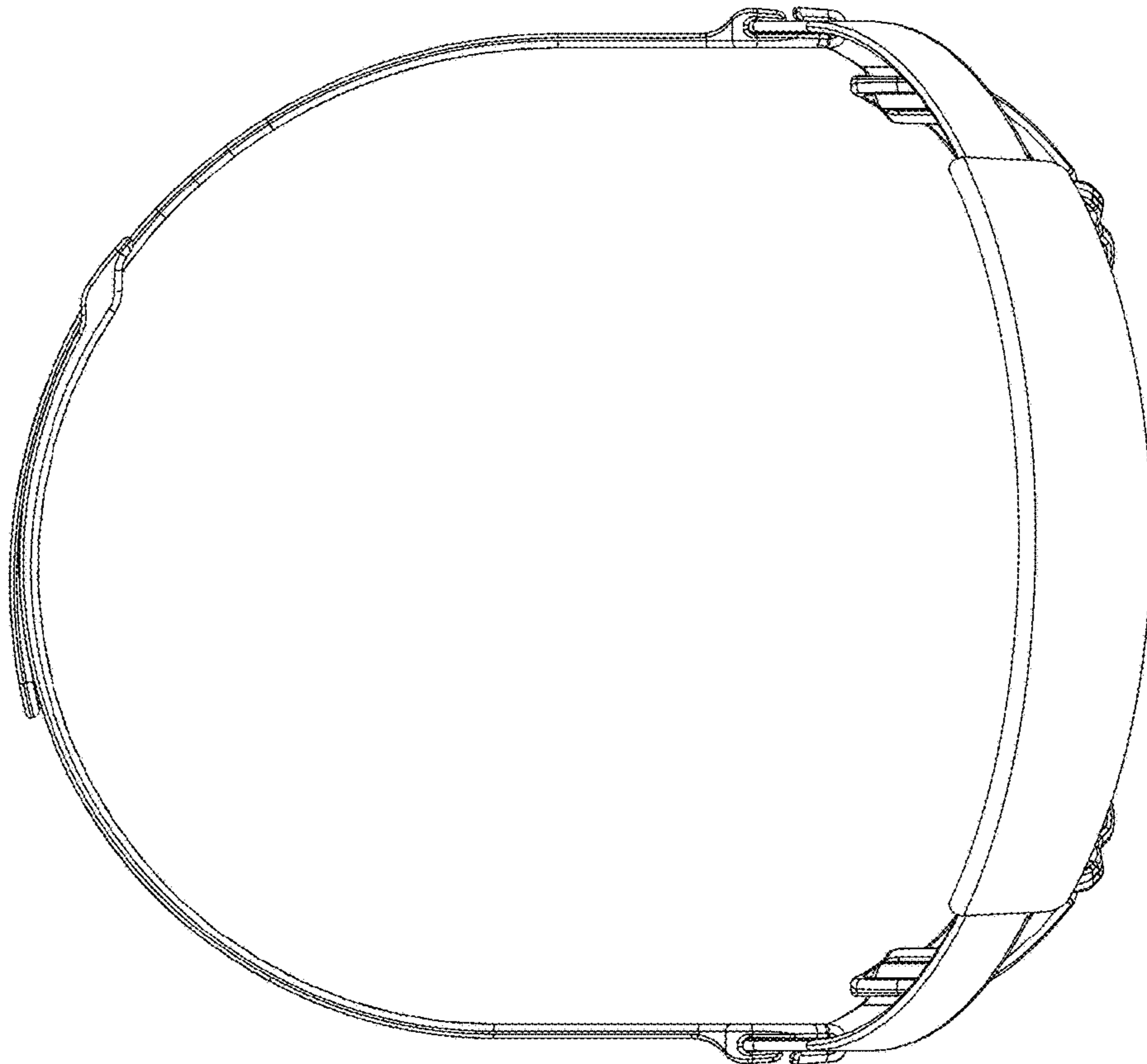


FIG. 11

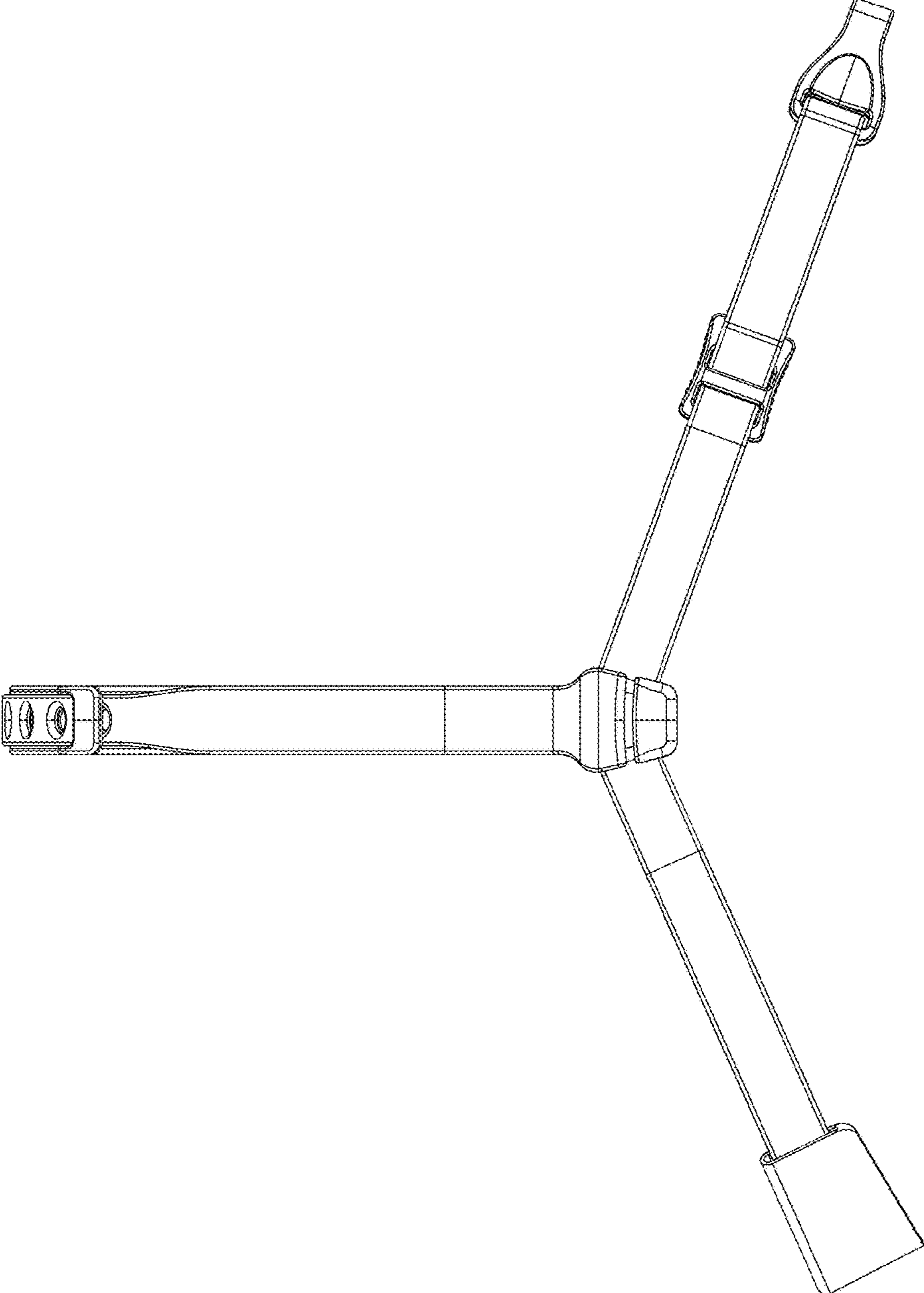


FIG. 12

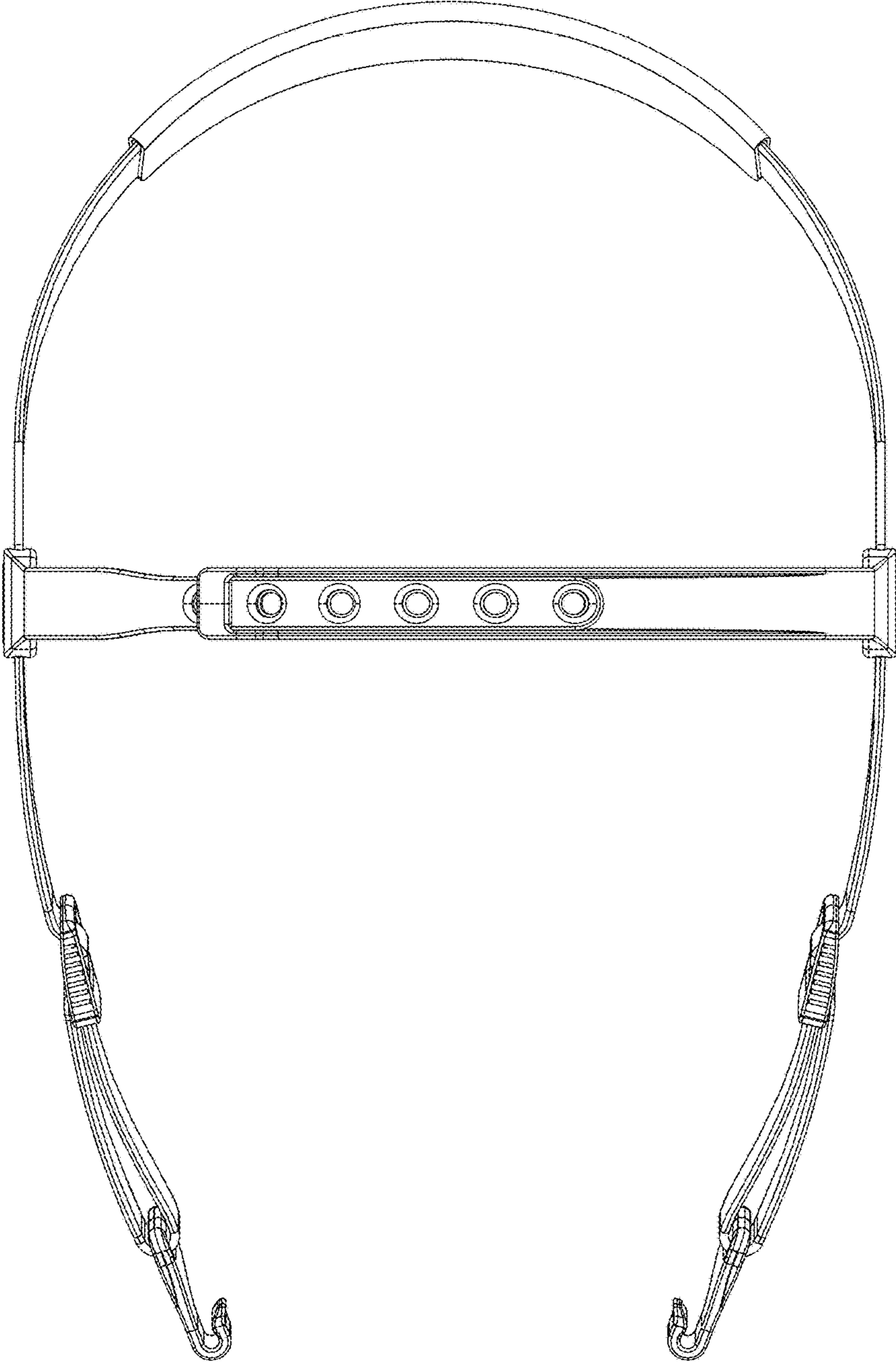


FIG. 13

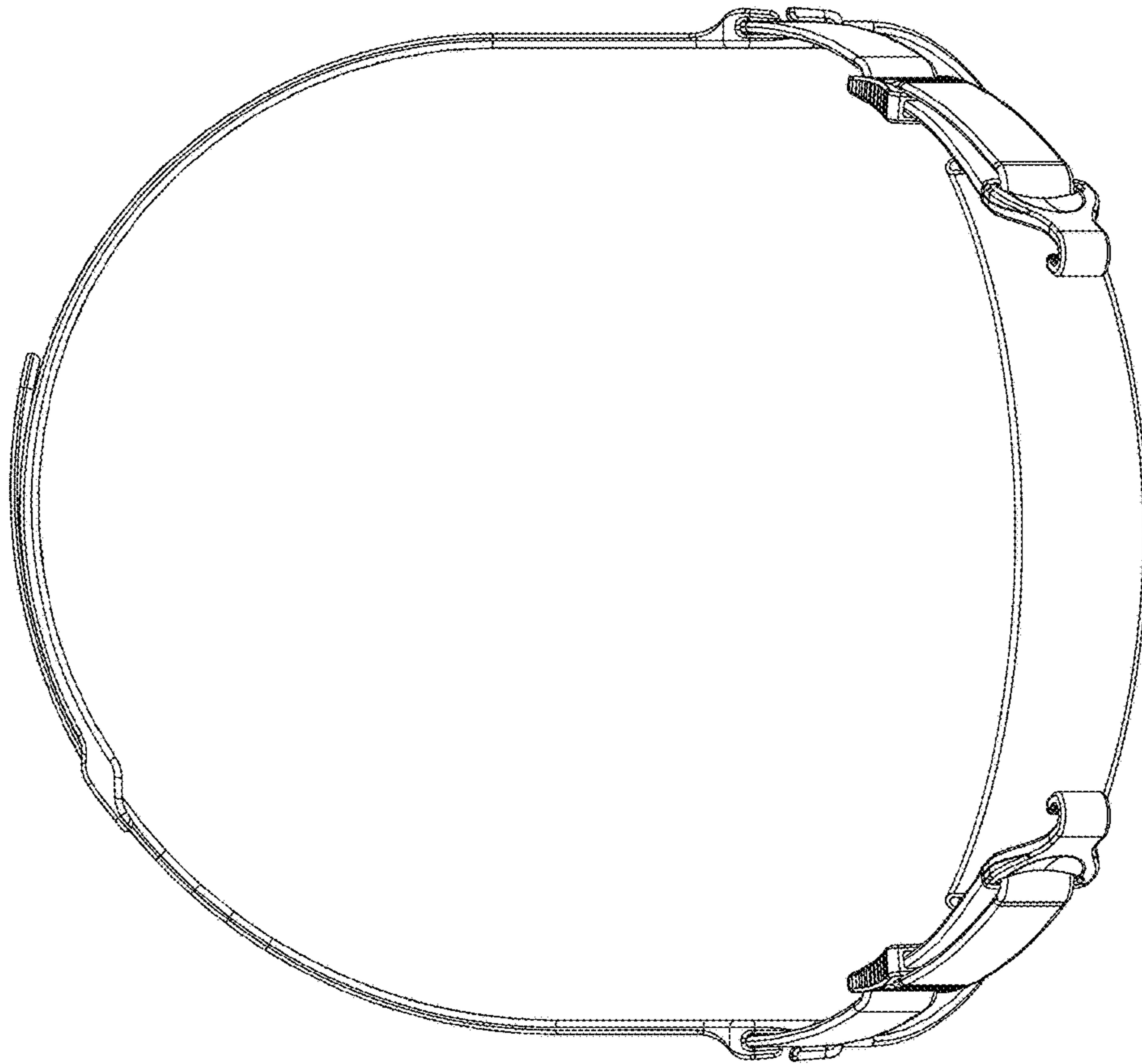


FIG. 14

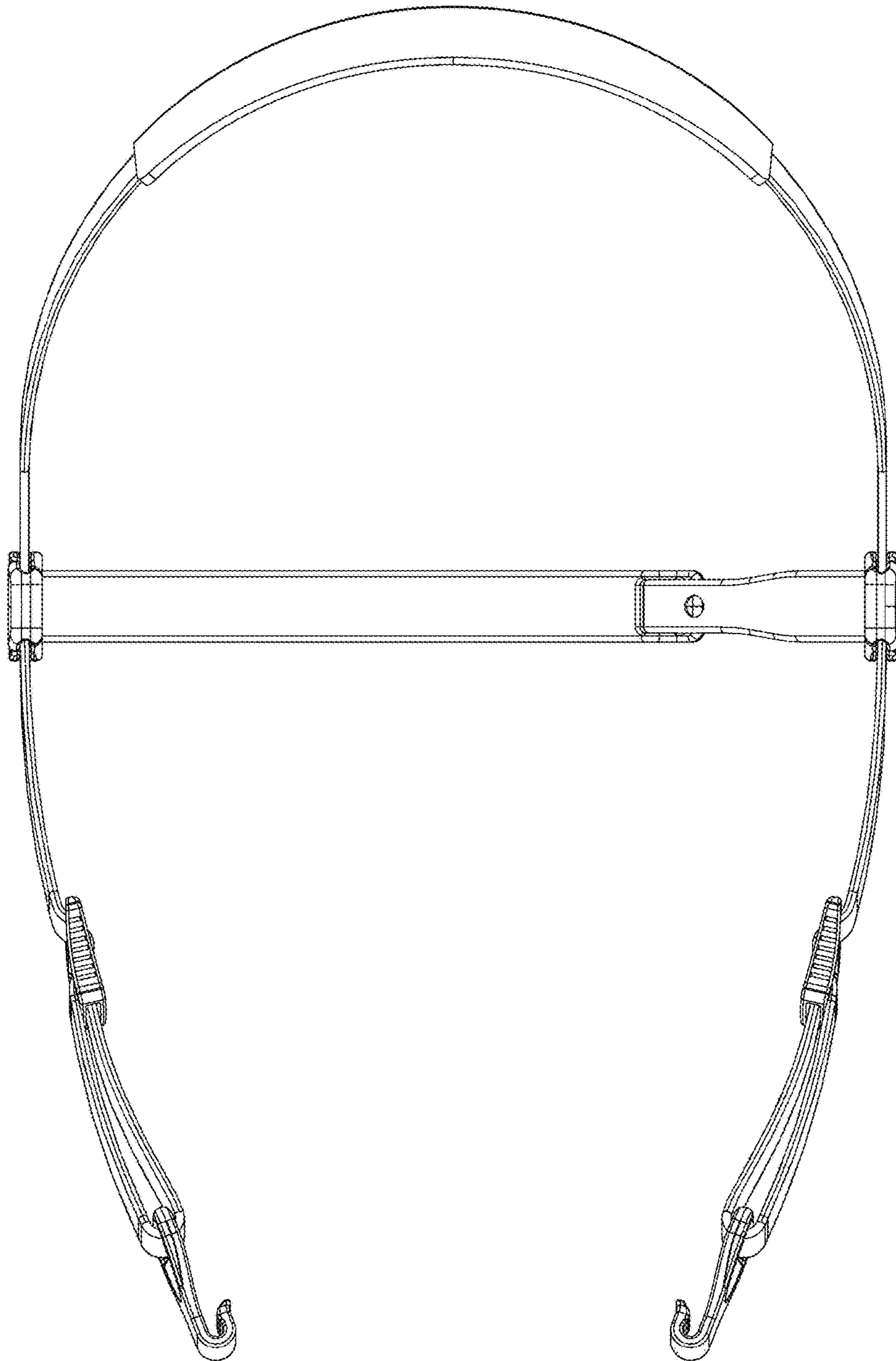


FIG. 15