



US00D822192S

(12) **United States Design Patent**
Haggar

(10) **Patent No.:** **US D822,192 S**
(45) **Date of Patent:** **** Jul. 3, 2018**

(54) **CEILING FAN MOTOR HOUSING**

- (71) Applicant: **HUNTER FAN COMPANY**,
Memphis, TN (US)
- (72) Inventor: **Alexander Jonathan Haggar**,
Memphis, TN (US)
- (73) Assignee: **Hunter Fan Company**, Memphis, TN
(US)

(**) Term: **15 Years**

(21) Appl. No.: **29/622,208**

(22) Filed: **Oct. 16, 2017**

Related U.S. Application Data

- (62) Division of application No. 29/582,440, filed on Oct. 27, 2016, now Pat. No. Des. 805,175.
- (51) **LOC (11) Cl.** **23-04**
- (52) **U.S. Cl.**
USPC **D23/411**
- (58) **Field of Classification Search**
USPC D23/370, 377, 379, 385, 411; D26/59
CPC F04D 25/088; F21V 33/0096
See application file for complete search history.

(56) **References Cited**

U.S. PATENT DOCUMENTS

D298,052 S	10/1988	Sonneman	
D314,618 S *	2/1991	Yen	D23/377
7,080,813 B1 *	7/2006	Frampton	F04D 25/088 248/342
D627,874 S	11/2010	Pan	
D628,688 S	12/2010	Pan	
D632,381 S	2/2011	Davenport et al.	
D707,336 S	6/2014	Pan	
D759,799 S *	6/2016	Wang	D23/385
D771,794 S *	11/2016	Wang	D23/411
D783,145 S *	4/2017	Wang	D23/411
D795,410 S *	8/2017	Holmes	D23/377
D796,024 S *	8/2017	Holmes	D23/377
D804,629 S *	12/2017	McRoberts	D23/377

(Continued)

OTHER PUBLICATIONS

<https://www.menards.com/main/lighting-ceiling-fans/ceiling-fans/shop-all-ceiling-fans/tum-of-the-century-reg-montego-bay-52-weathered-copper-wet-rated-ceiling-fan/p-1444424537879-c-7487.htm?tid=70857110150563470>, Item Specification for Turn of the Century Montego Bay 52" Weathered Copper Transitional Wet-Rated Ceiling Fan, Model No. CP152115, Accessed on Oct. 27, 2016.

(Continued)

Primary Examiner — Janice Hallmark

(74) *Attorney, Agent, or Firm* — McGarry Bair PC

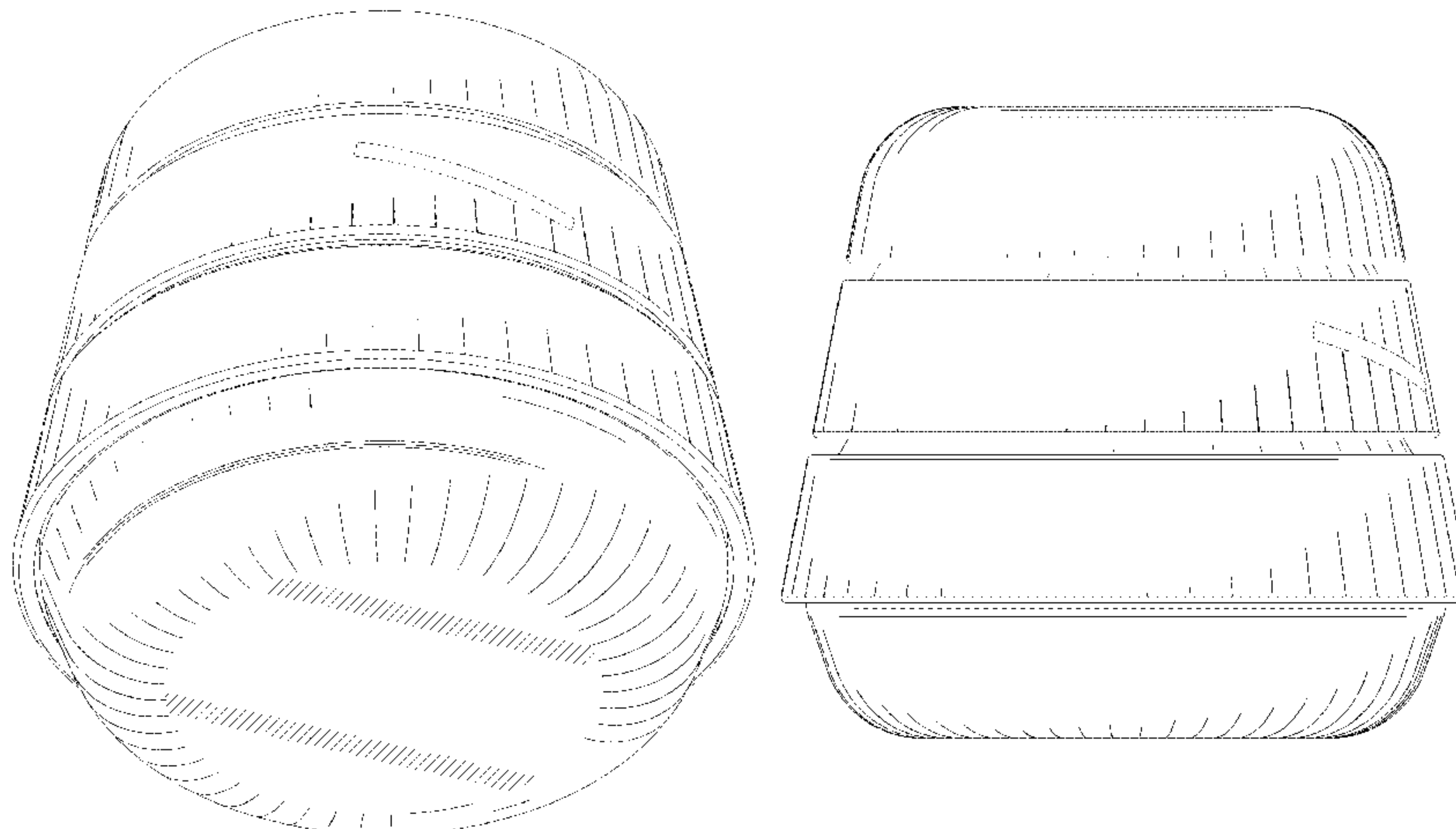
(57) **CLAIM**

The ornamental design for a ceiling fan motor housing, as shown and described.

DESCRIPTION

FIG. 1 is a top perspective view of a ceiling fan motor housing showing my new design of the invention;
 FIG. 2 is a bottom perspective view of the ceiling fan motor housing of FIG. 1;
 FIG. 3 is a rear side view of the ceiling fan motor housing of FIG. 1;
 FIG. 4 is a left side view of the ceiling fan motor housing of FIG. 1;
 FIG. 5 is a front side view of the ceiling fan motor housing of FIG. 1;
 FIG. 6 is a right side view of the ceiling fan motor housing of FIG. 1;
 FIG. 7 is a bottom view of the ceiling fan motor housing of FIG. 1; and,
 FIG. 8 is a top view of the of the ceiling fan motor housing of FIG. 1.
 Portions of the drawings shown in broken lines depict environmental subject matter only and form no part of the claimed design.

1 Claim, 8 Drawing Sheets



(56)

References Cited

U.S. PATENT DOCUMENTS

D804,630 S * 12/2017 Holmes D23/377
D804,639 S * 12/2017 Guthrie D23/377
D810,915 S * 2/2018 Guthrie D23/377
D810,917 S * 2/2018 Holmes D23/377
2005/0249598 A1 11/2005 Young

OTHER PUBLICATIONS

<http://www.kichlerlightinglights.com/product/kichler-lighting-vas-sar-indoor-ceiling-fans-300175wh.html?page=1>, Item Specification for Kichler 300175WH, Model No. 300175WH, Accessed on Oct. 27, 2016.

<http://www.homedepot.com/p/Hampton-Bay-Marlton-52-in-Indoor-Liquid-Nickel-Ceiling-Fan-YG305-LN/202529593>, Item Specification for Hampton Bay Marlton 52 in. Indoor Liquid Nickel Ceiling Fan, Model No. YG305-LN, Accessed on Oct. 27, 2016.

<http://www.kichler.com/products/product/56-ellys-ceiling-fan-ni-300239ni.aspx>, Item Specification for Ellys Collection 56" Ellys Ceiling Fan NI, Model No. 300239NI, Accessed on Oct. 27, 2016.

<http://www.montecarlofans.com/50446/52-Discus-Trio-Brushed-Steel-3DIR52BSD.html>, Item Specification for Monte Carlo Discus Trio Collection, Model No. 3DIR52BSD, Accessed on Oct. 27, 2016.

<http://ceilingfans.emerson.com/shop/en/fan/midway-eco-fan-p-cf955>, Item Specification for Emerson Midway Eco, Model No. CF955BS, Accessed on Oct. 27, 2016.

<http://kingoffans.com/#/products/ceilingFans>, Item Specification for Windward, Model No. 54404, Accessed on Oct. 27, 2016.

* cited by examiner

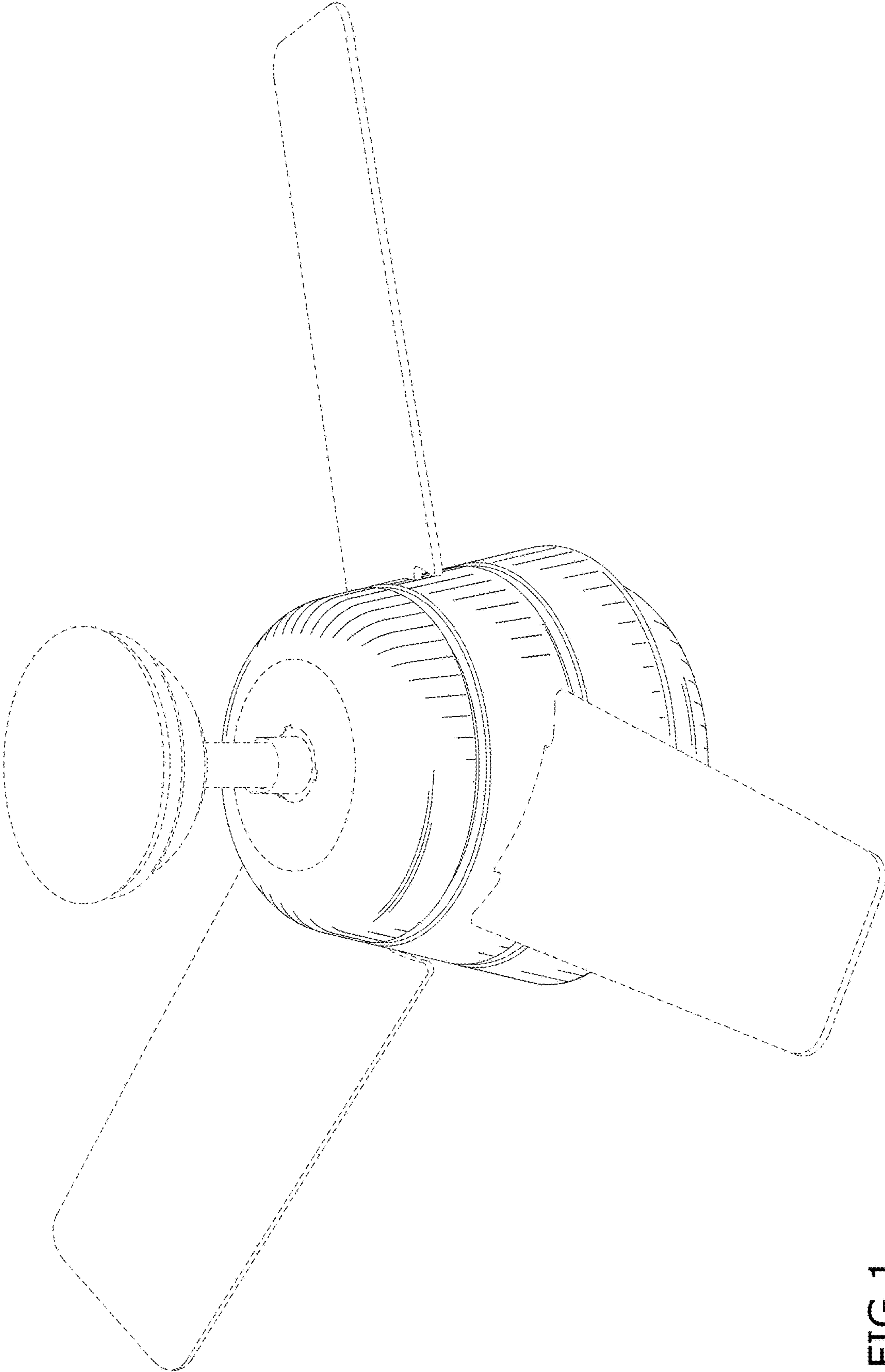


FIG.1

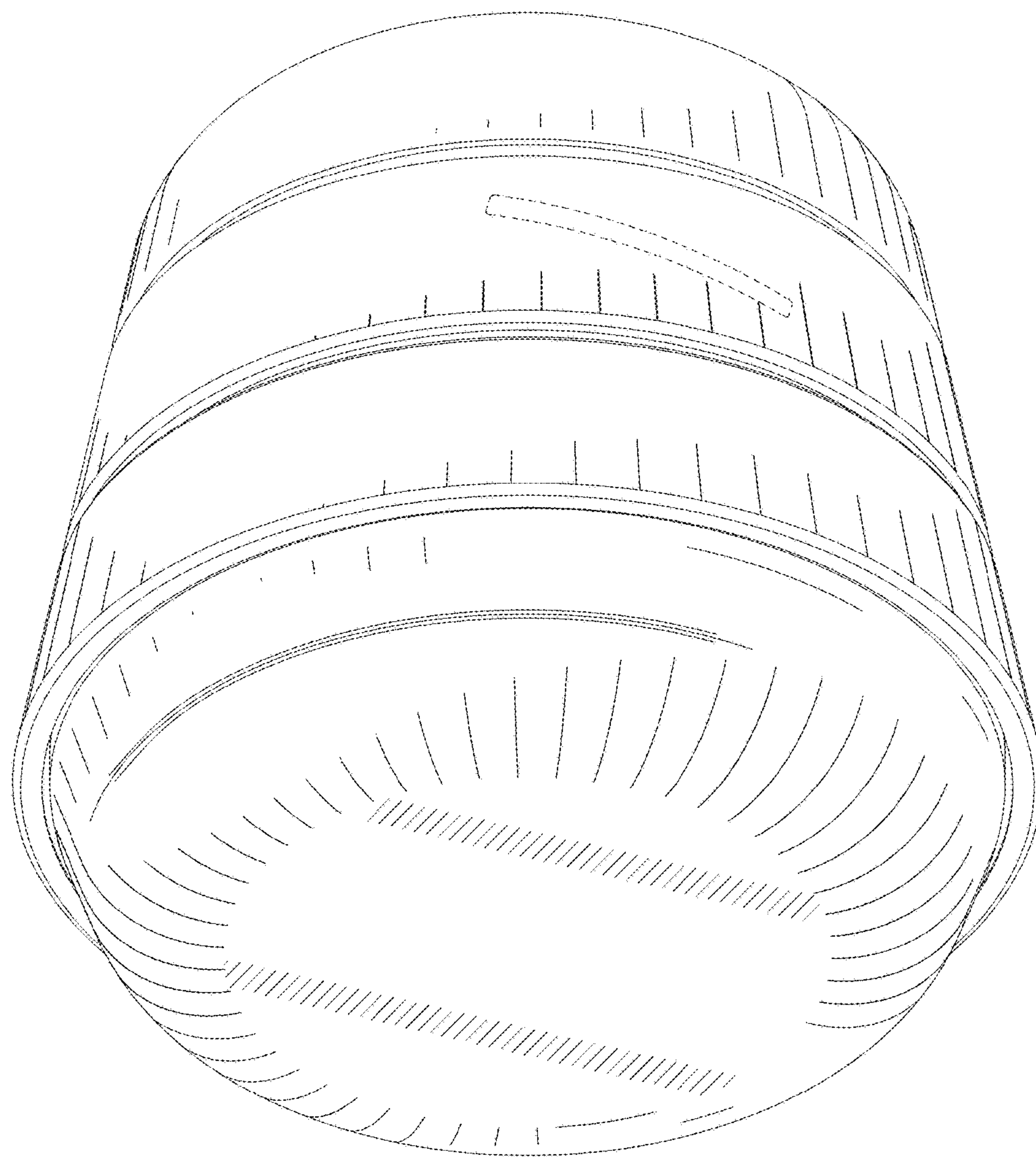


FIG.2

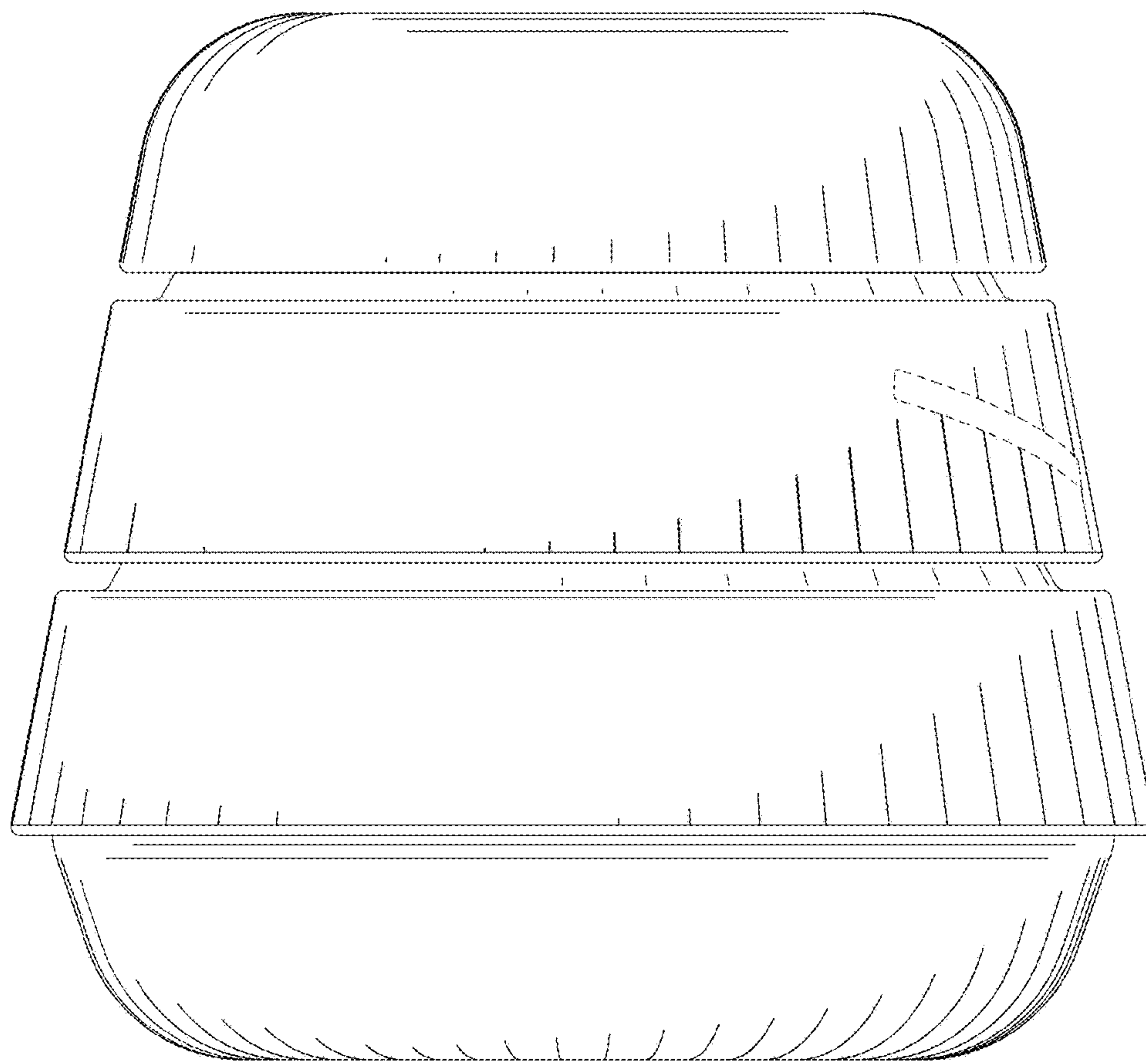


FIG.3

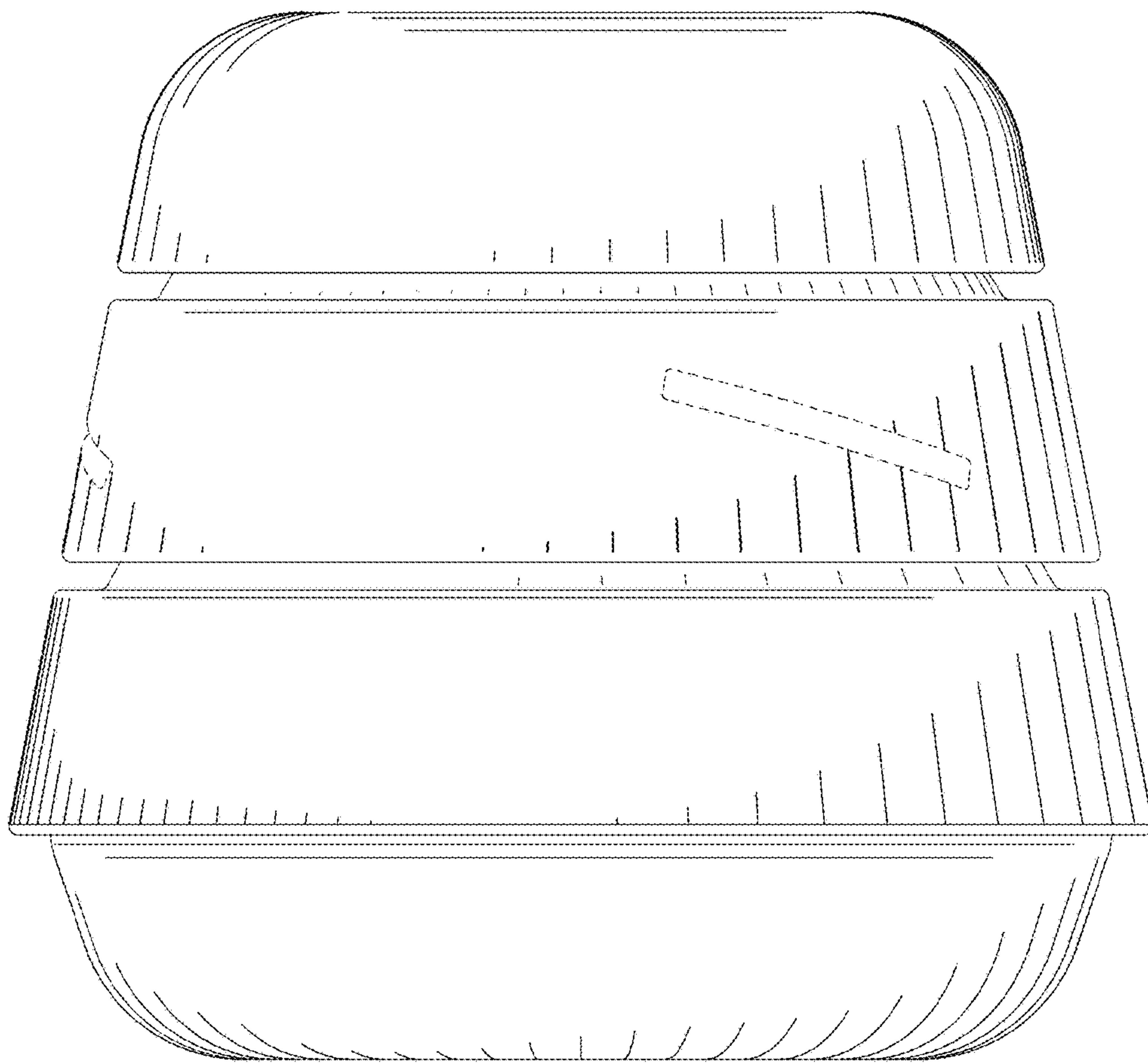


FIG.4

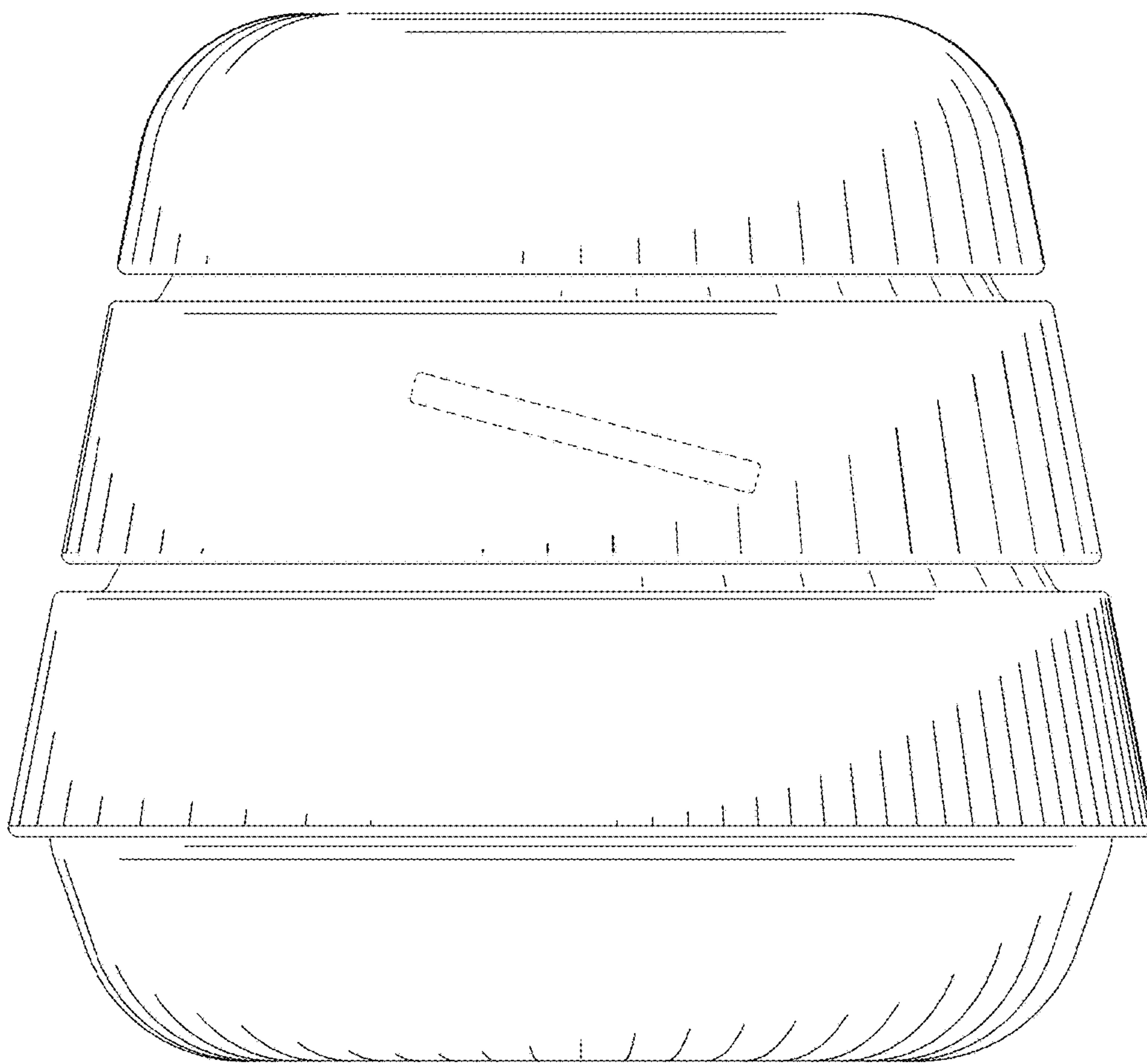


FIG.5

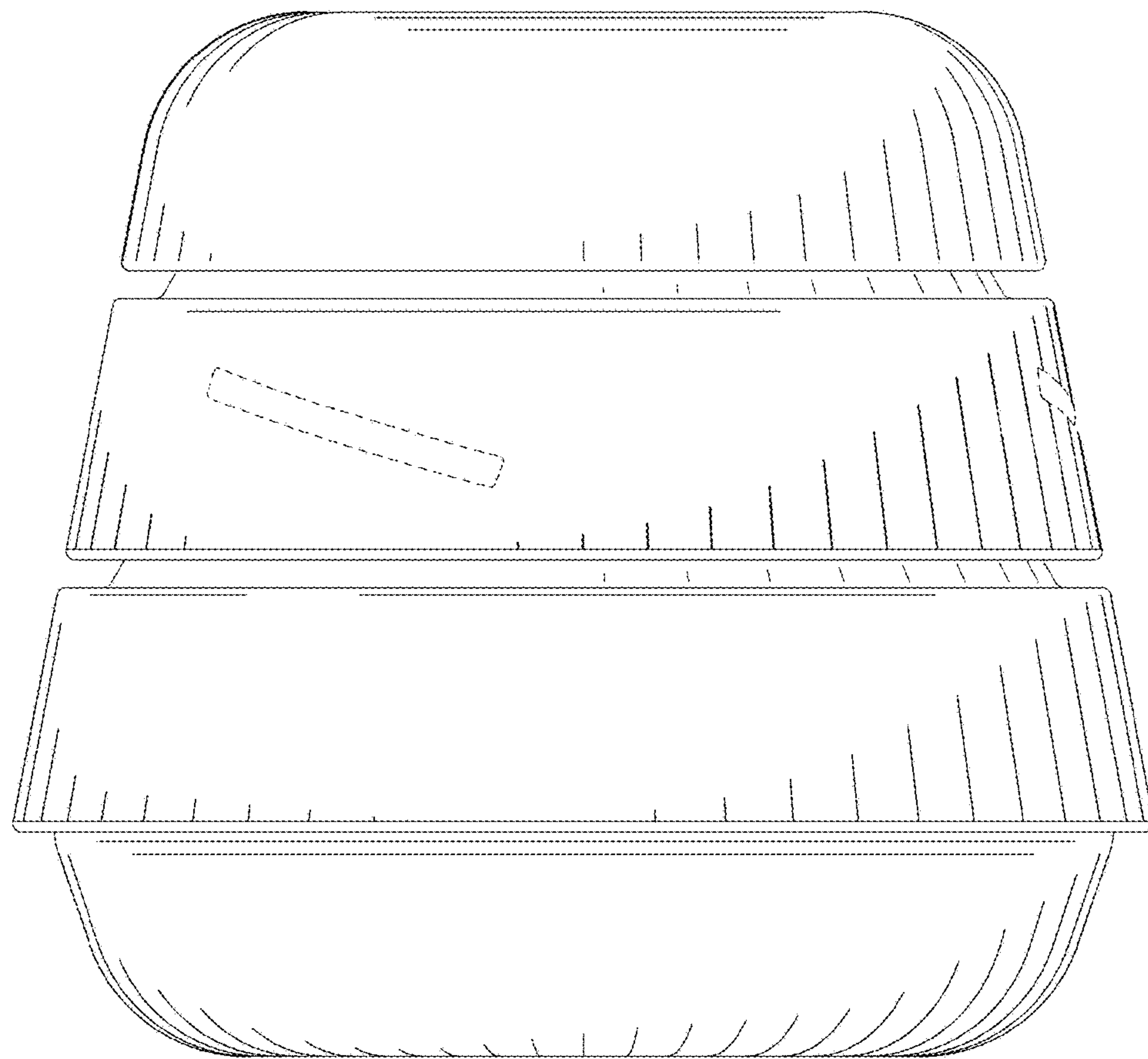


FIG.6

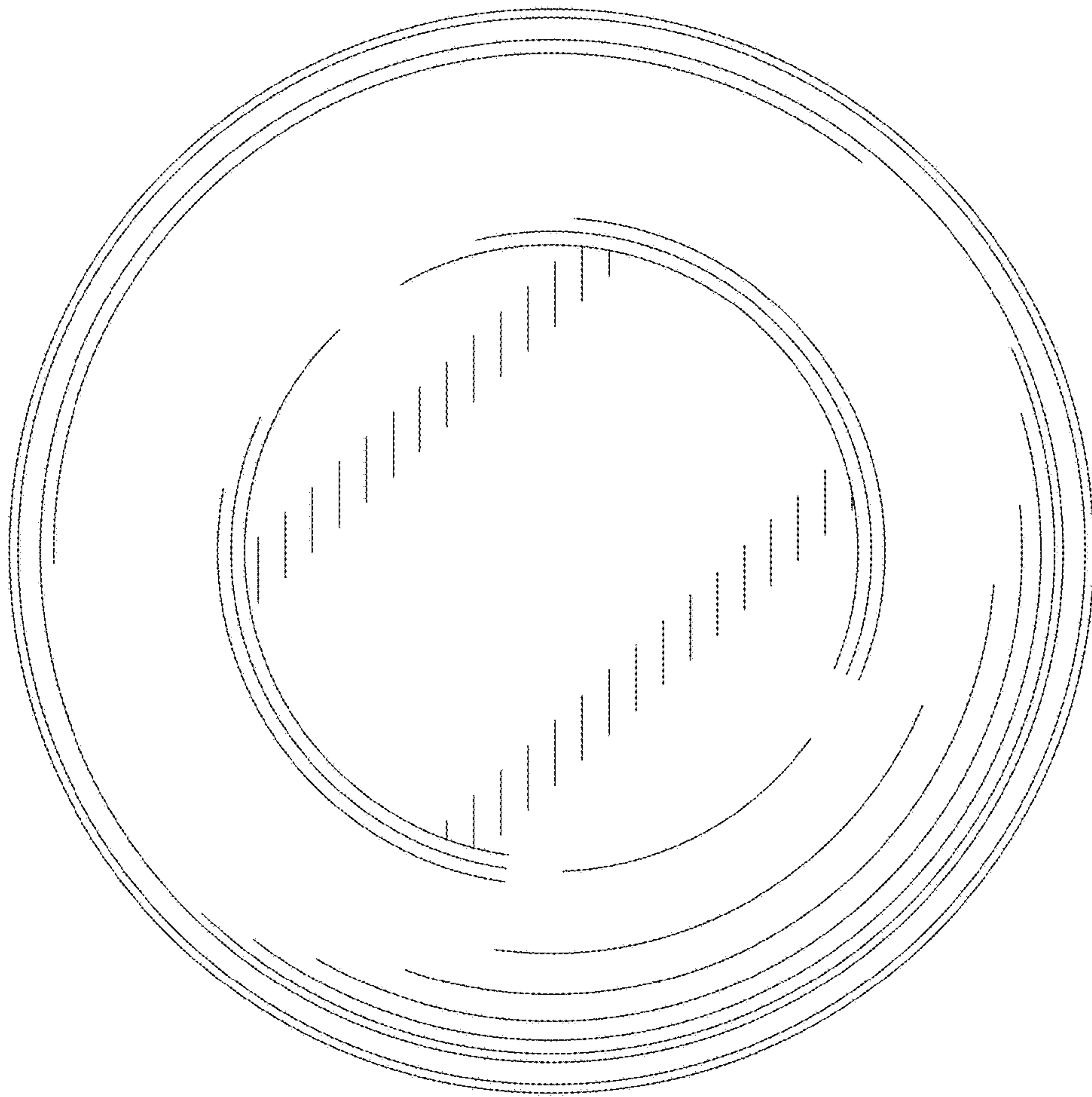


FIG. 7

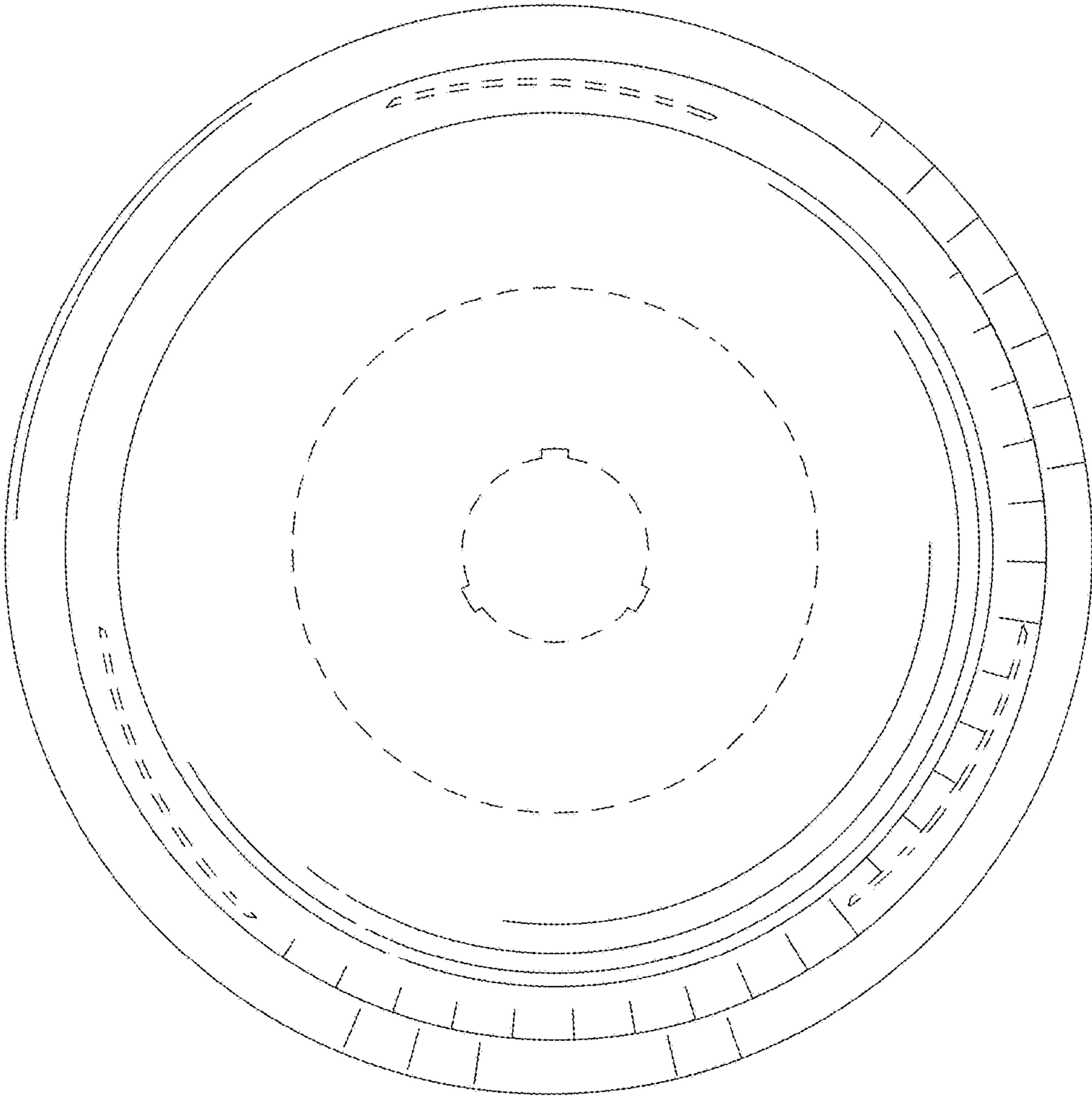


FIG.8