



US00D822191S

(12) **United States Design Patent** (10) **Patent No.:** **US D822,191 S**  
**Sidawi** (45) **Date of Patent:** **\*\* Jul. 3, 2018**

(54) **REFILL FOR A FRAGRANCE DISPENSER**

D325,965 S \* 5/1992 Donley ..... D23/368  
5,875,968 A 3/1999 Miller et al.  
D437,923 S \* 2/2001 Weick ..... D23/366

(71) Applicant: **Silver Coast, Inc.**, Milton (CA)

(Continued)

(72) Inventor: **Rami Sidawi**, Milton (CA)

*Primary Examiner* — Sandra Snapp

(73) Assignee: **Silver Coast, Inc.**, Milton, Ontario (CA)

(74) *Attorney, Agent, or Firm* — Durham Jones & Pinegar, P.C.

(\* ) Notice: This patent is subject to a terminal disclaimer.

(57) **CLAIM**

The ornamental design for a refill for a fragrance dispenser, as shown and described.

(\*\*) Term: **15 Years**

**DESCRIPTION**

(21) Appl. No.: **29/546,161**

(22) Filed: **Nov. 19, 2015**

**Related U.S. Application Data**

(63) Continuation-in-part of application No. 14/055,880, filed on Oct. 16, 2013, now Pat. No. 9,238,086.

(51) **LOC (11) Cl.** ..... **28-99**

(52) **U.S. Cl.**  
USPC ..... **D23/366**

(58) **Field of Classification Search**  
USPC ..... D23/355–369; D28/5, 6; 261/DIG. 17, 261/DIG. 42, DIG. 47, DIG. 55, DIG. 65, 261/DIG. 70, DIG. 88, DIG. 89; 392/386, 392/389, 394, 395, 403; 239/34, 44, 45, 239/53, 56; D9/522, 549, 556  
CPC ... A61L 9/02; A61L 9/03; A61L 9/034; A61L 9/04; A61L 9/12; A61L 9/032; A61L 9/122; A61L 9/127; A61L 9/22  
See application file for complete search history.

FIG. 1 is a perspective view of a refill for a fragrance dispenser, which is comprised of a bottle and a fragrance distribution cage;

FIG. 2 is a front view of the refill for a fragrance dispenser shown in FIG. 1;

FIG. 3 is a first side view of the refill for a fragrance dispenser shown in FIG. 1;

FIG. 4 is a rear view of the refill for a fragrance dispenser shown in FIG. 1;

FIG. 5 is a second side view of the refill fragrance dispenser shown in FIG. 1;

FIG. 6 is a top view of the bottle of the refill for a fragrance dispenser shown in FIG. 1, the bottle removed for ease of illustration;

FIG. 7 is a bottom view of the bottle of the refill for a fragrance dispenser shown in FIG. 1, the bottle removed for ease of illustration;

FIG. 8 is a top view of the cage of the refill for a fragrance dispenser shown in FIG. 1, the cage removed for ease of illustration; and,

FIG. 9 is a bottom view of the cage of the refill for a fragrance dispenser shown in FIG. 1, the cage removed for ease of illustration.

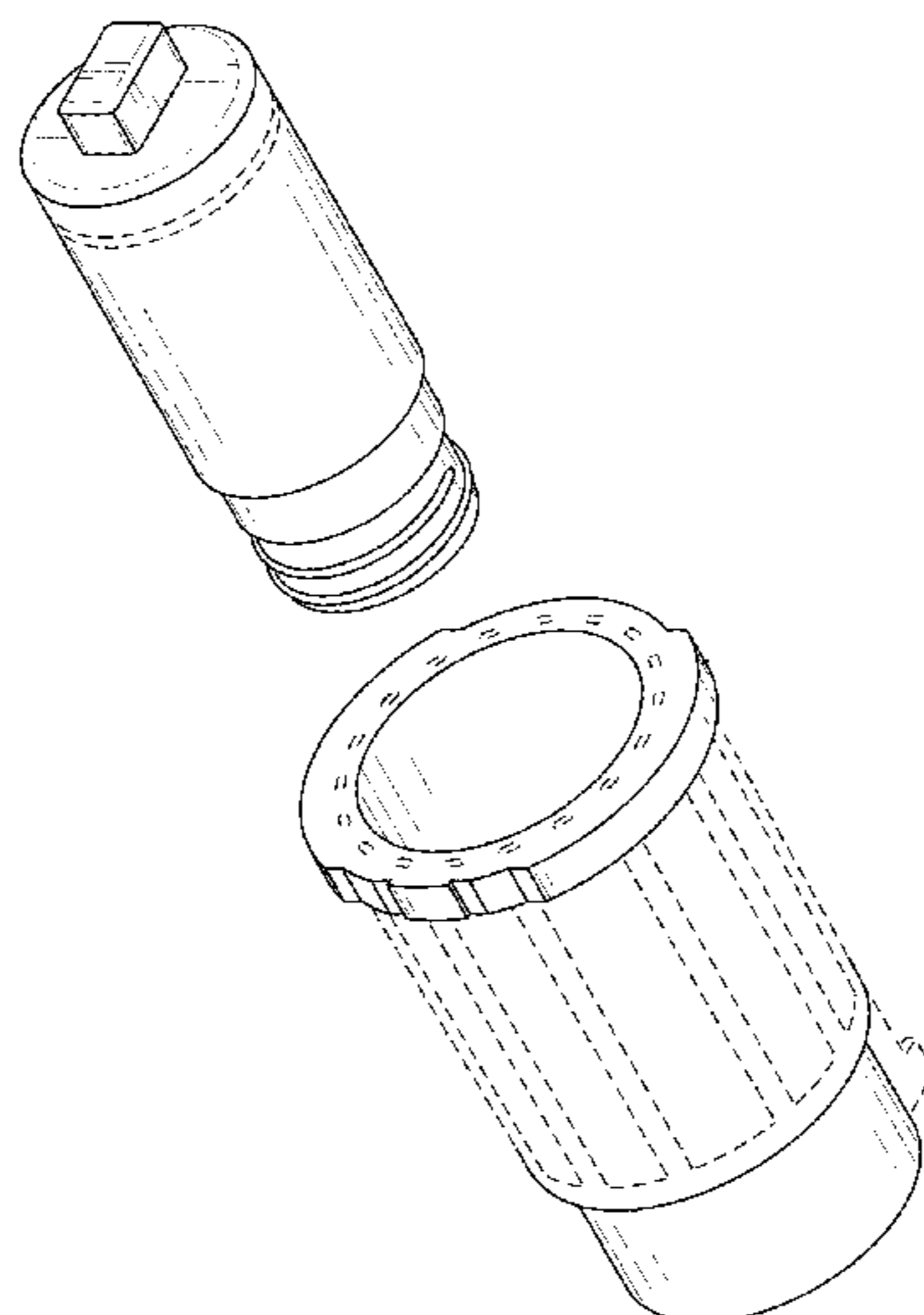
The broken lines in the drawings are used to illustrate features of the refill for a fragrance dispenser that form no part of the claimed design.

(56) **References Cited**

**U.S. PATENT DOCUMENTS**

2,166,969 A 7/1939 Rooch  
2,246,008 A 6/1941 Rooch  
2,586,179 A 2/1952 Rooch  
2,723,158 A 11/1955 Molina  
D298,012 S \* 10/1988 Larkin ..... D24/224

**1 Claim, 3 Drawing Sheets**



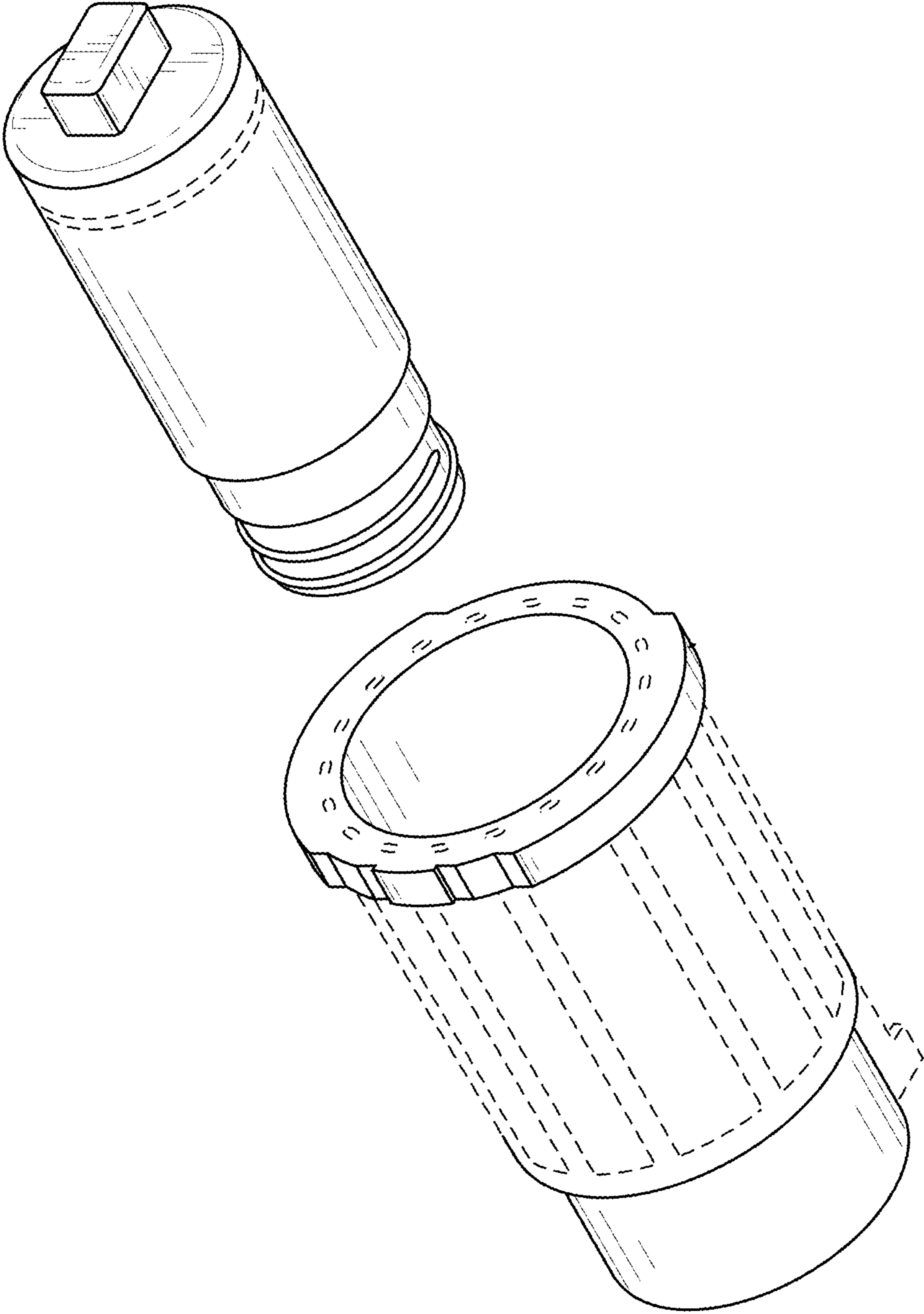
(56)

**References Cited**

U.S. PATENT DOCUMENTS

D452,654	S *	1/2002	Scaramelli .....	D9/549
D467,805	S *	12/2002	Restrepo .....	D9/500
6,553,712	B1	4/2003	Majerowski et al.	
D541,921	S *	5/2007	Muderlak .....	D23/366
D577,111	S *	9/2008	Zlotnik .....	D23/366
D598,293	S *	8/2009	Liu .....	D9/438
D602,784	S *	10/2009	Rothberg .....	D9/447
7,614,568	B2	11/2009	Joshi et al.	
D611,579	S *	3/2010	Zlotnik .....	D23/366
D612,471	S *	3/2010	Zlotnik .....	D23/366
7,857,236	B2	12/2010	Zlotnik et al.	
D633,292	S *	3/2011	Anson .....	D3/203.3
D636,477	S *	4/2011	Anderson .....	A61L 9/12 D23/366
8,005,350	B2	8/2011	Zlotnik et al.	
D739,083	S *	9/2015	Ho .....	D28/85
D764,044	S *	8/2016	Sordo .....	D23/366
2007/0001024	A1	1/2007	Wold et al.	

\* cited by examiner



**FIG. 1**

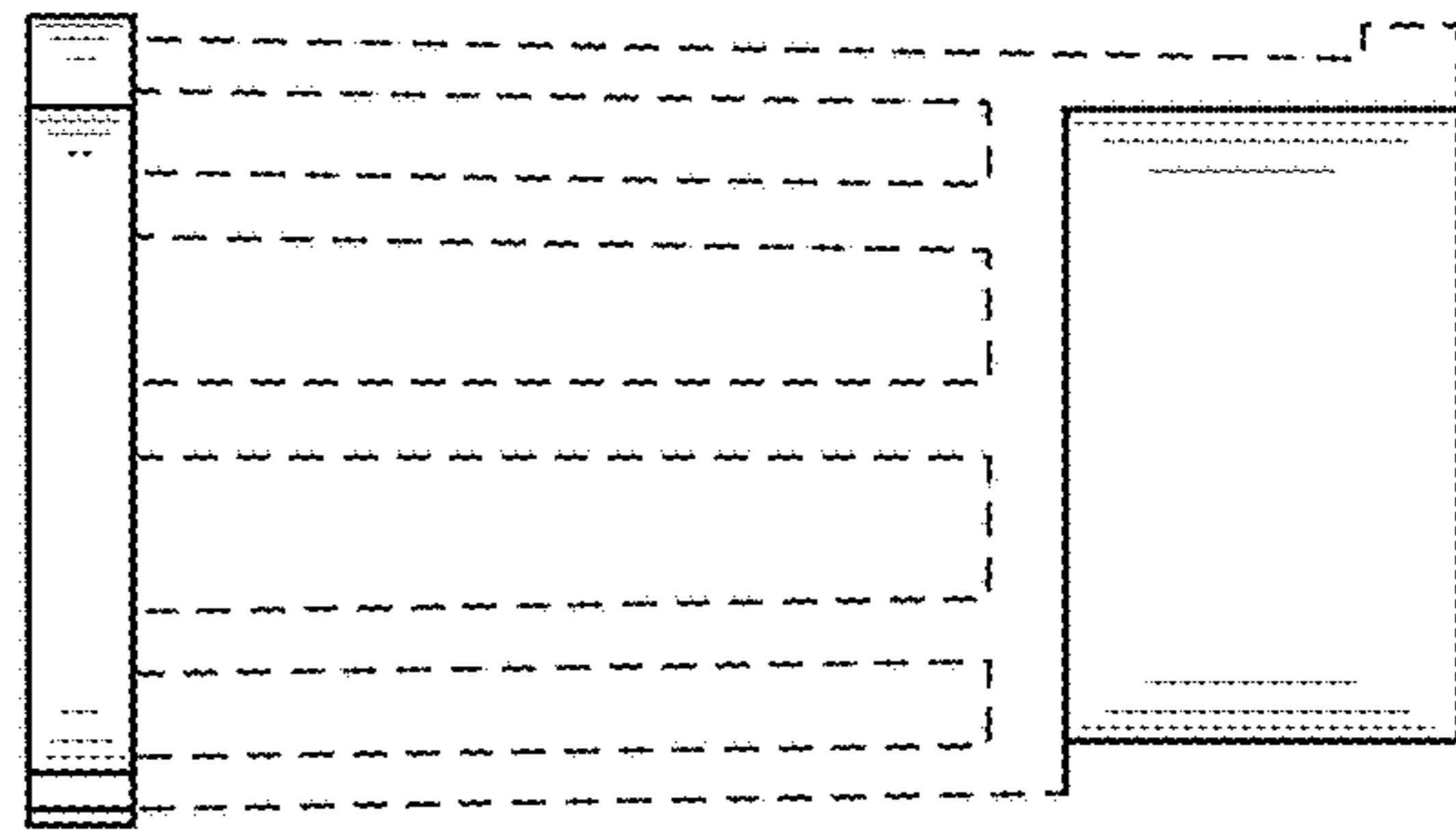
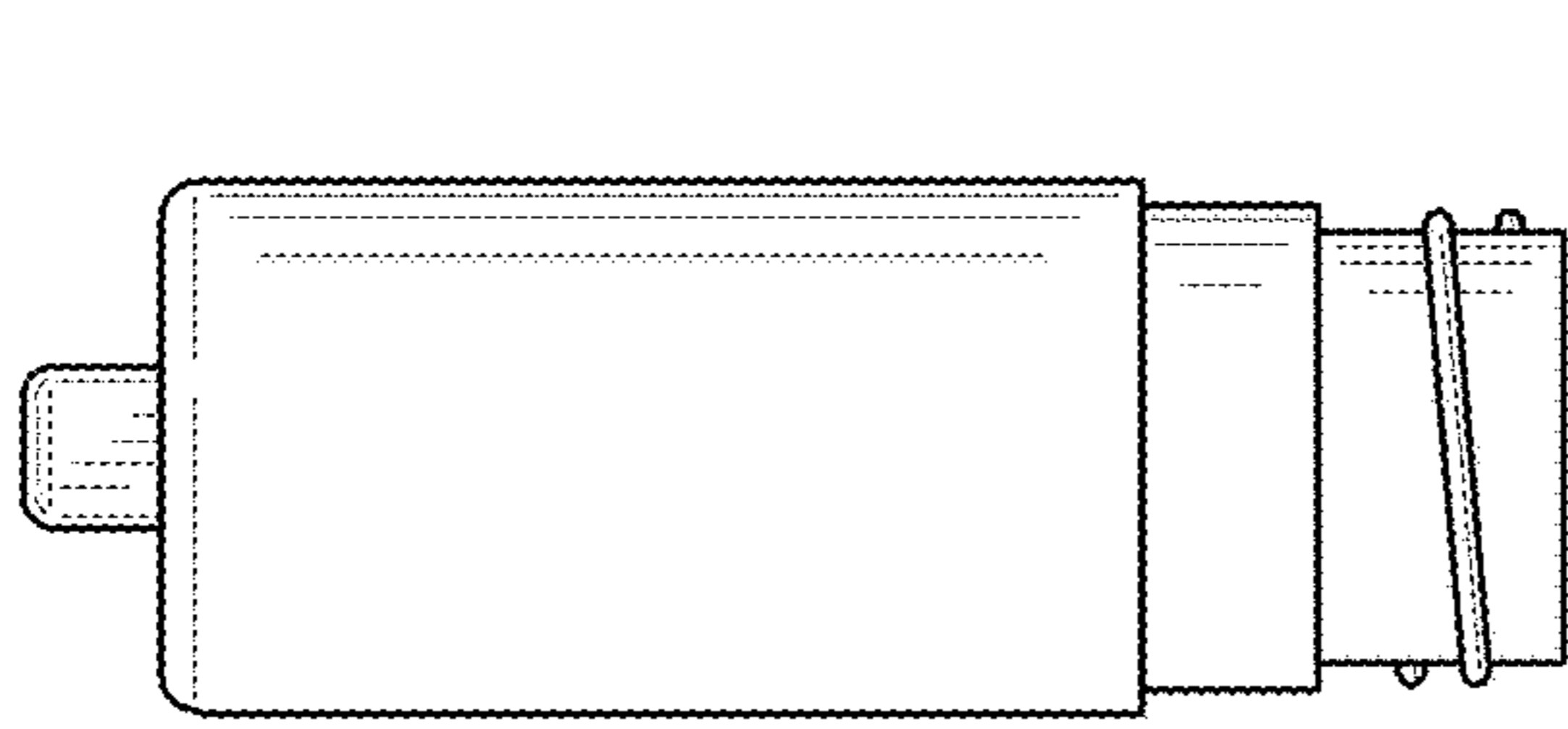


FIG. 2

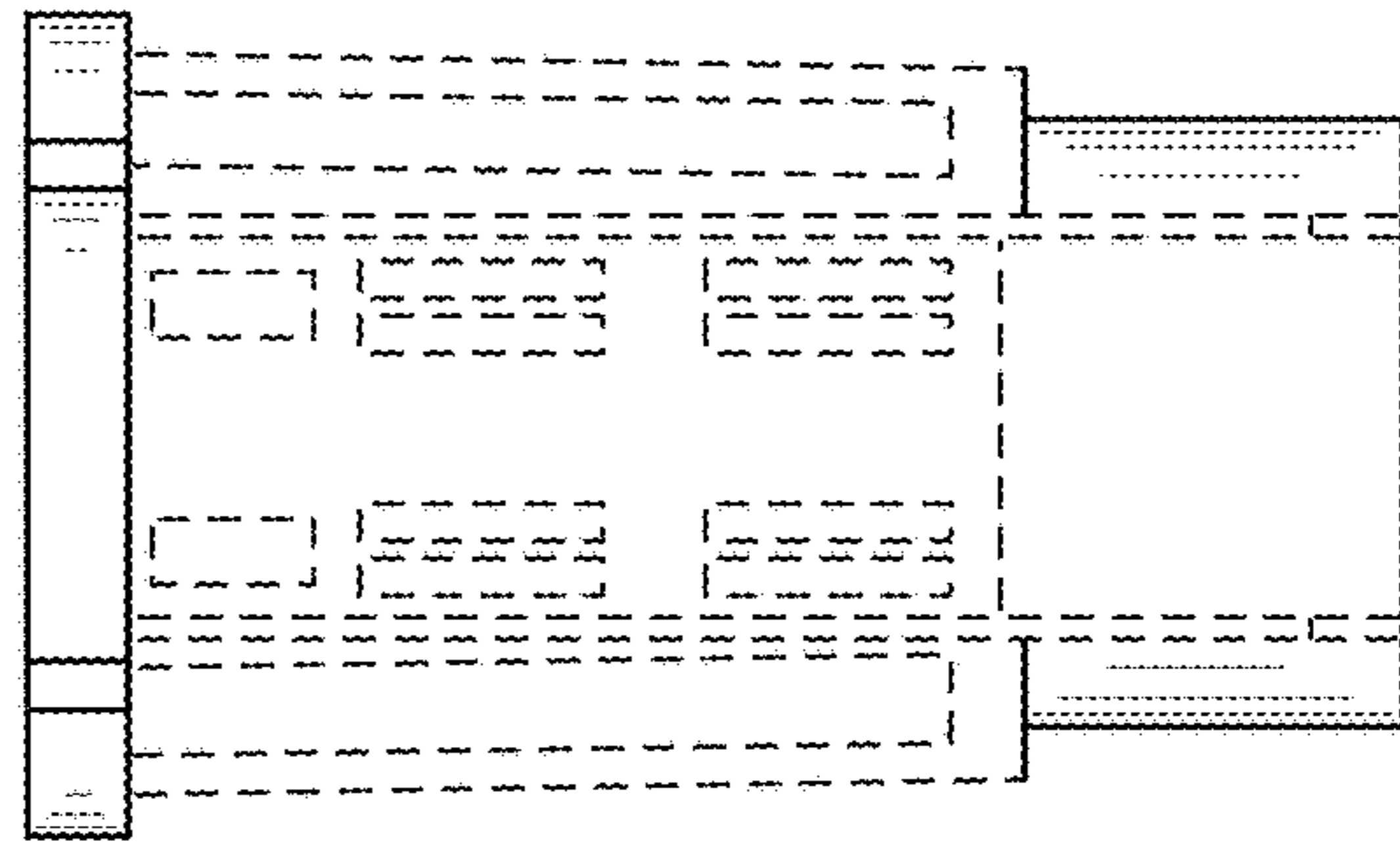
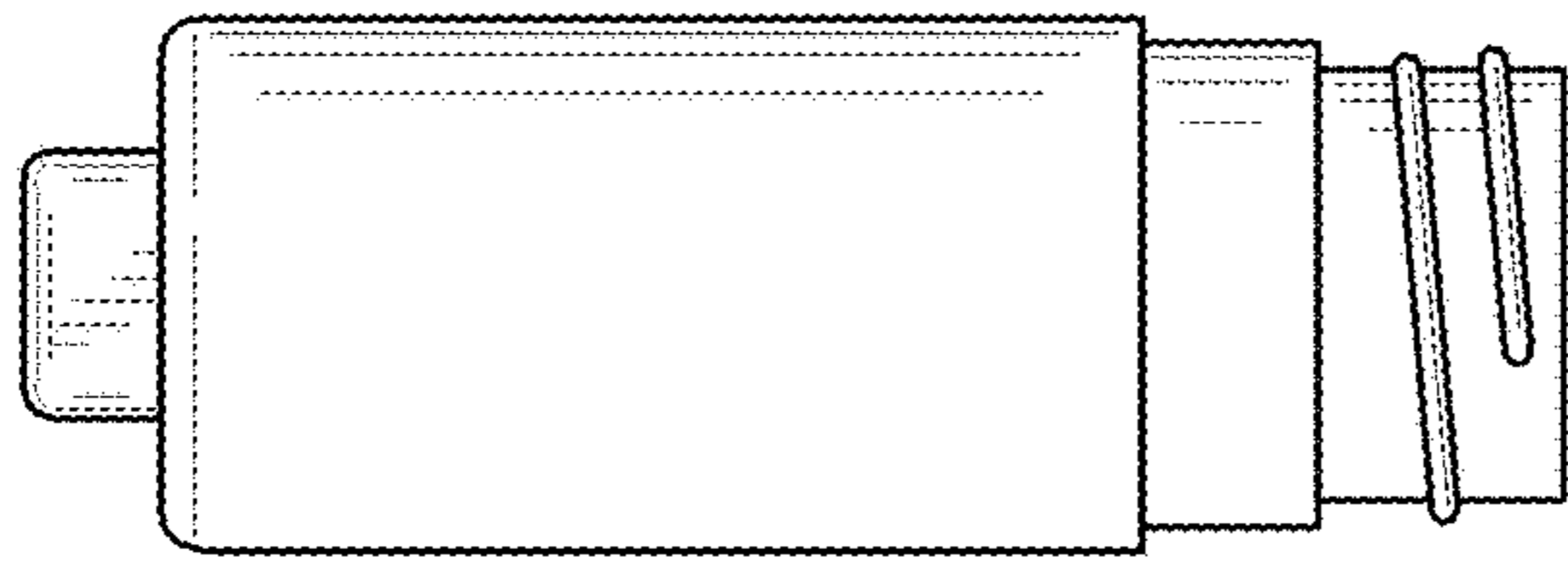


FIG. 3

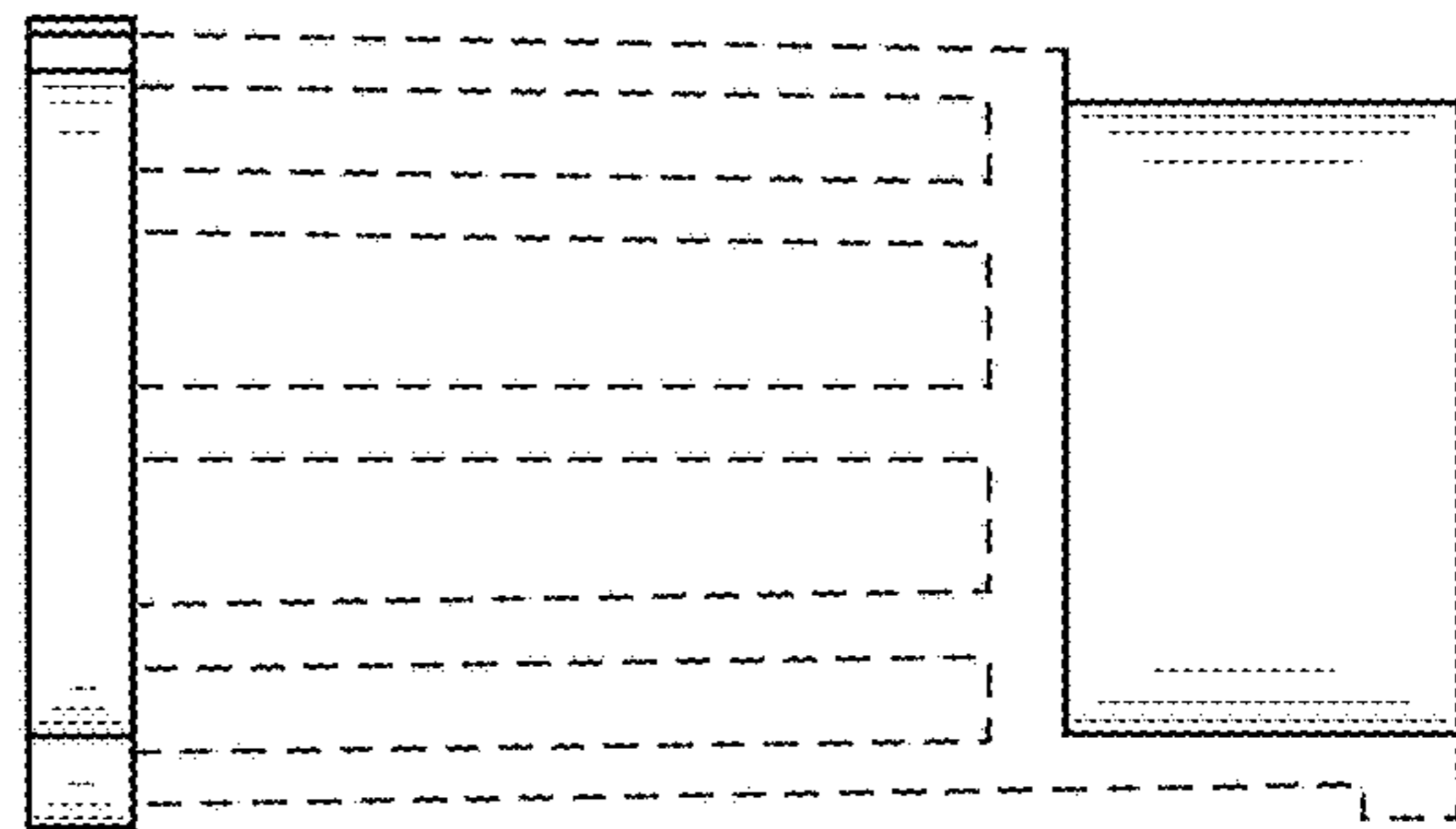
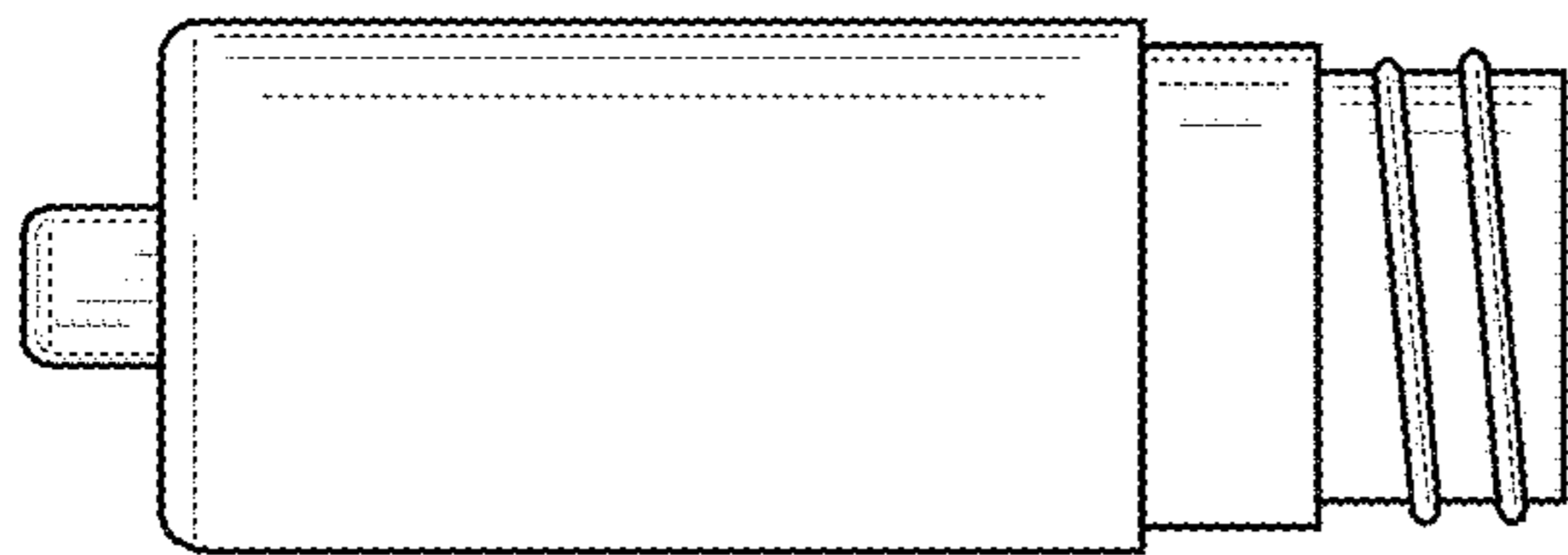


FIG. 4

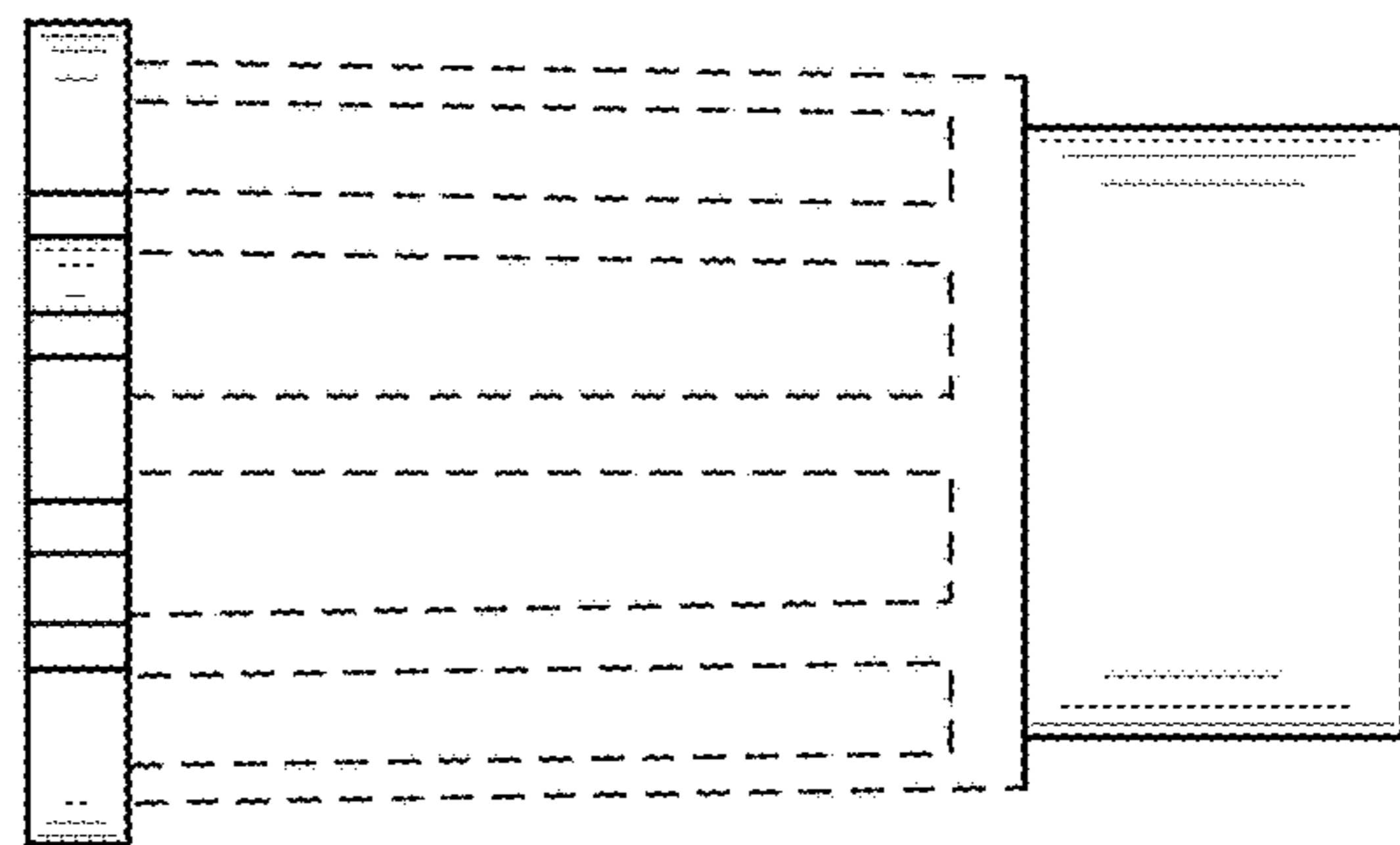
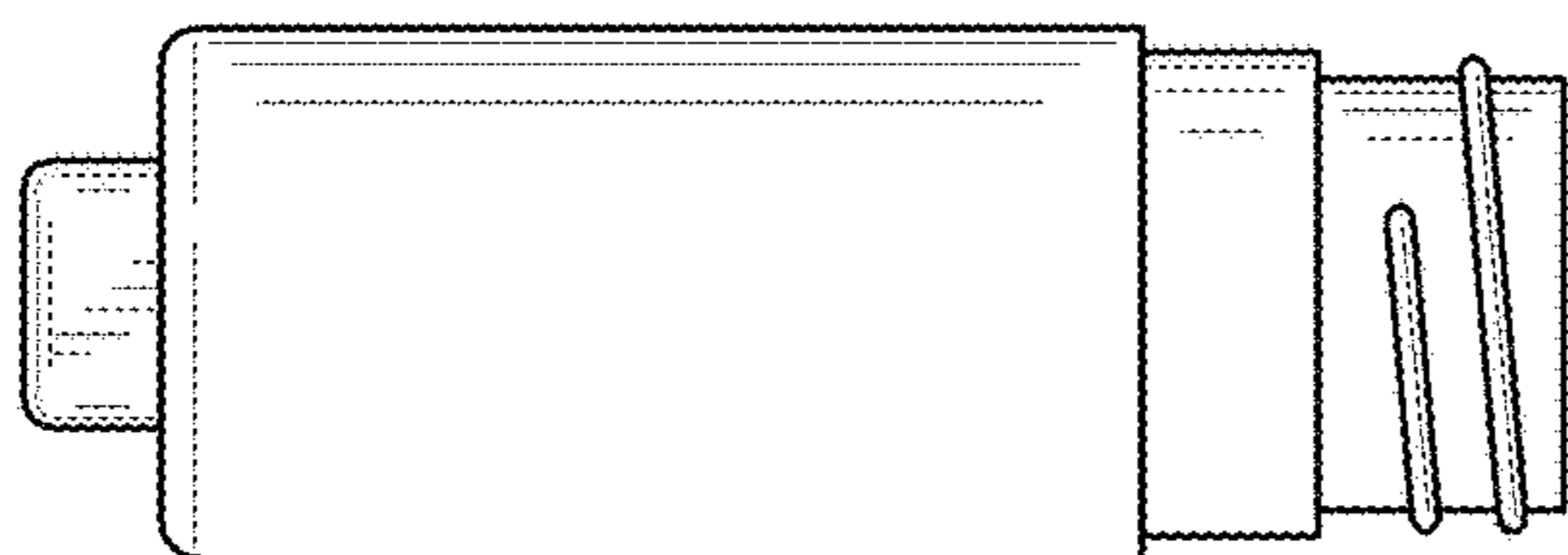
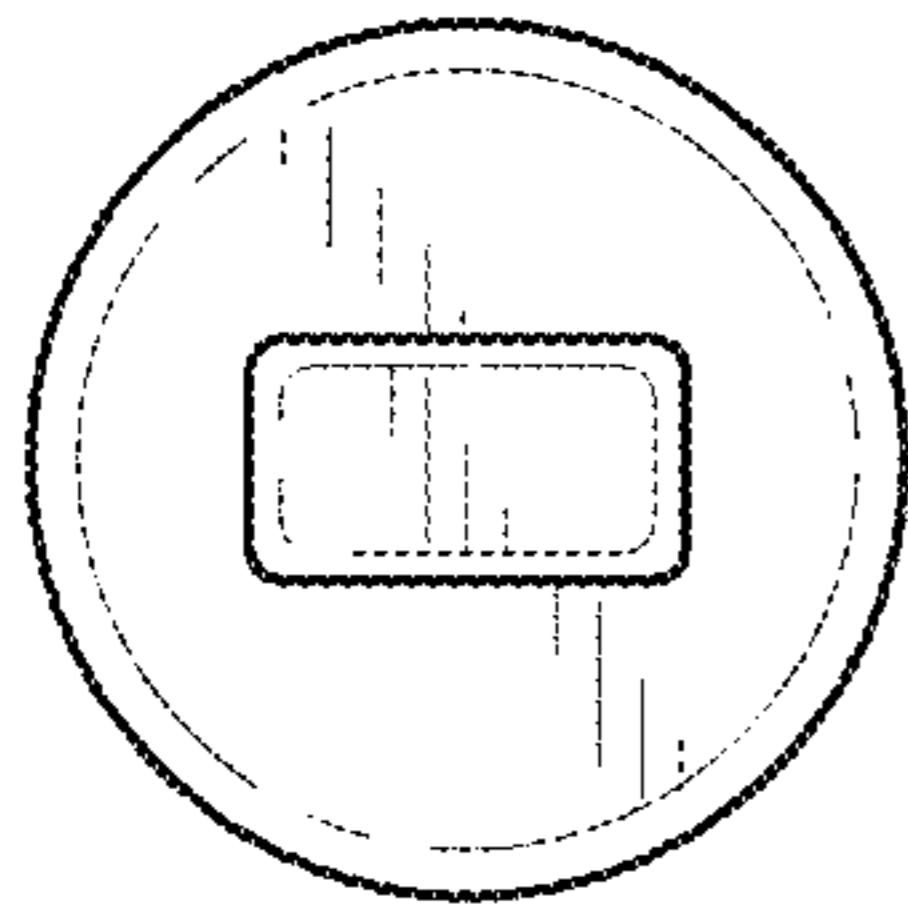
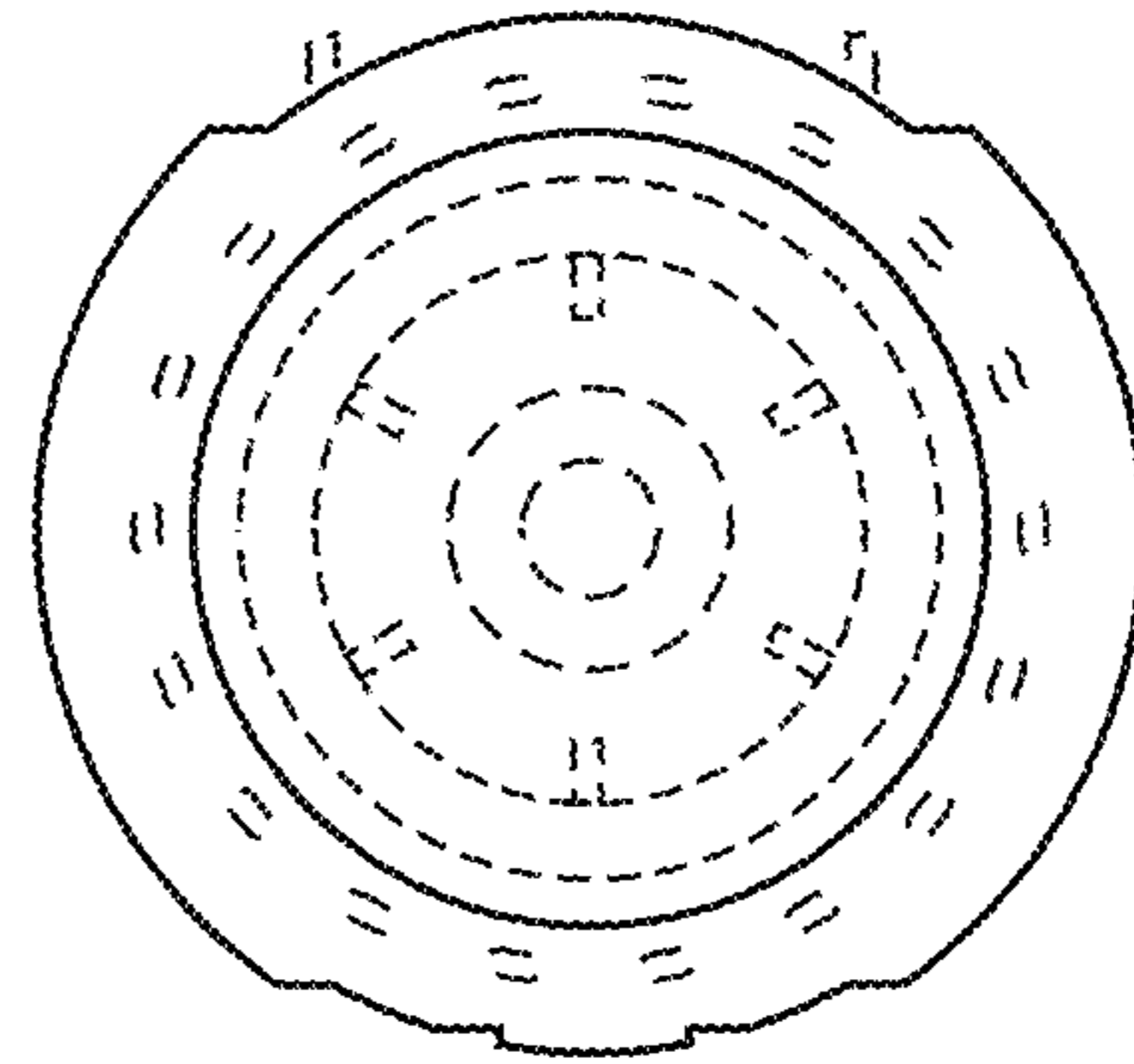


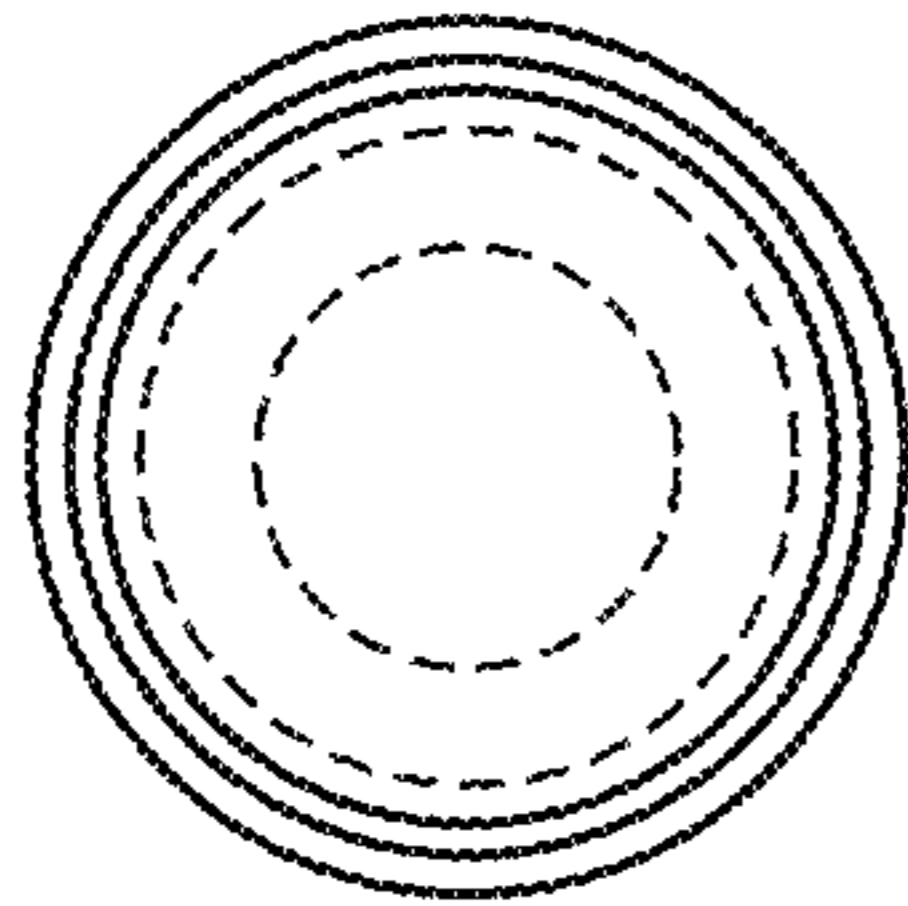
FIG. 5



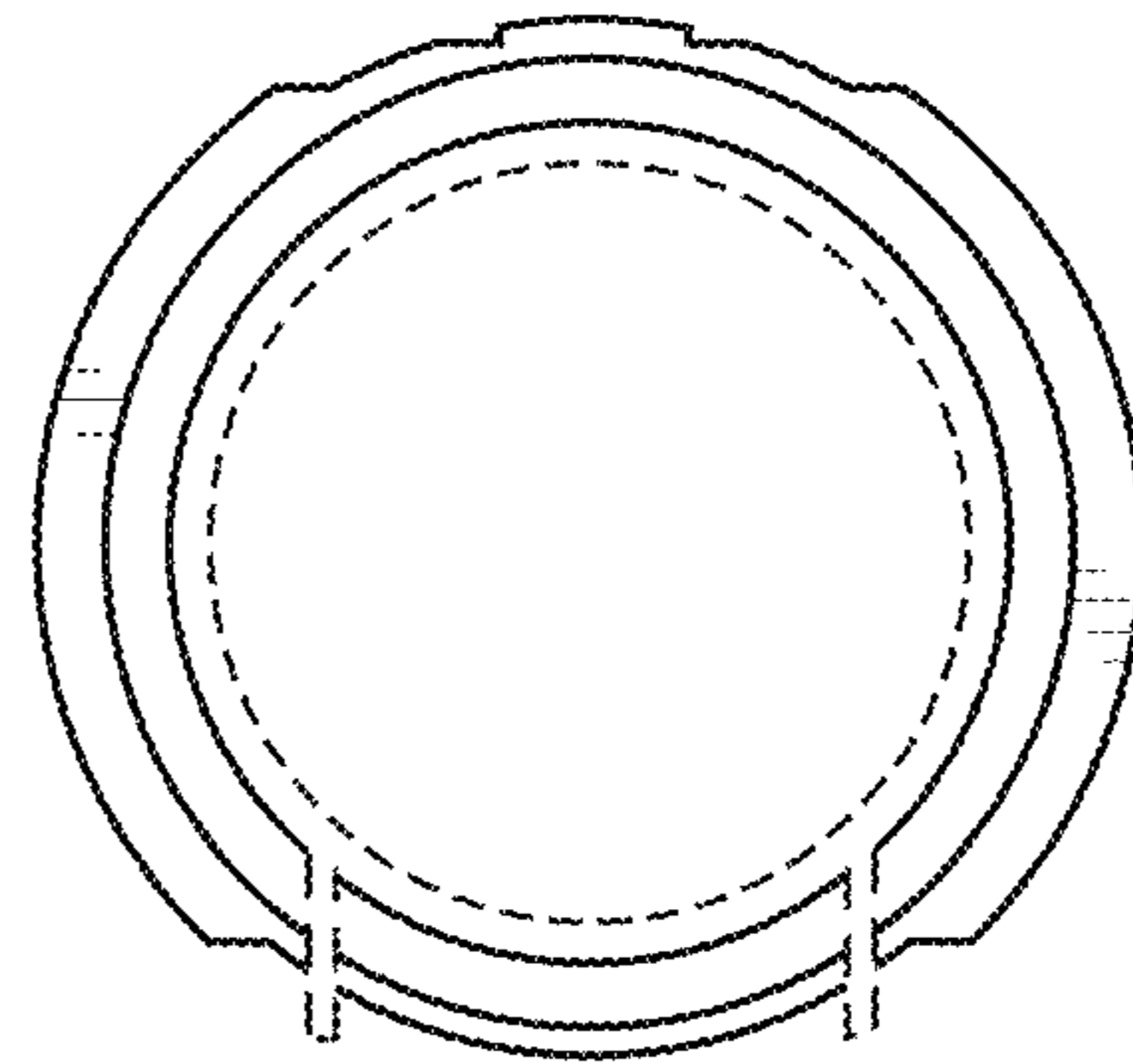
**FIG. 6**



**FIG. 8**



**FIG. 7**



**FIG. 9**