



US00D822189S

(12) **United States Design Patent**  
**Niki**

(10) **Patent No.:** **US D822,189 S**  
(45) **Date of Patent:** **\*\* Jul. 3, 2018**

(54) **AIR-CONDITIONER**  
(71) Applicant: **Kentarou Niki**, Osaka (JP)  
(72) Inventor: **Kentarou Niki**, Osaka (JP)  
(73) Assignee: **DAIKIN INDUSTRIES LTD.**,  
Osaka-Shi, Osaka-Fu (JP)  
(\*\*) Term: **15 Years**

D557,781 S \* 12/2007 Kim ..... D23/351  
D566,262 S \* 4/2008 Zakula ..... D23/388  
D567,354 S \* 4/2008 Jacak ..... D23/388  
D567,931 S \* 4/2008 Hollingsworth ..... D23/388  
D568,460 S \* 5/2008 Jacak ..... D23/388  
D575,386 S \* 8/2008 Jacak ..... D23/371  
D618,782 S \* 6/2010 Zakula ..... D23/385  
D720,443 S \* 12/2014 Kosuge ..... D23/351  
D768,273 S \* 10/2016 Niki ..... D23/351  
D768,274 S \* 10/2016 Niki ..... D23/351  
D768,275 S \* 10/2016 Niki ..... D23/351

(21) Appl. No.: **29/602,165**  
(22) Filed: **Apr. 28, 2017**  
(30) **Foreign Application Priority Data**

\* cited by examiner  
*Primary Examiner* — George D. Kirschbaum  
*Assistant Examiner* — Natasha Vujcic  
(74) *Attorney, Agent, or Firm* — Manabu Kanesaka

Nov. 25, 2016 (JP) ..... 2016-025596  
(51) **LOC (11) Cl.** ..... **23-04**  
(52) **U.S. Cl.**  
USPC ..... **D23/351**  
(58) **Field of Classification Search**  
USPC ..... D23/333, 335, 341, 342, 351, 353, 354,  
D23/355, 356, 359, 364, 365, 370, 385,  
D23/386, 388, 393  
CPC .... F24F 1/00; F24F 1/0007; F24F 1/02; F24F  
1/08; F24F 1/42; F24F 1/56; F24F 1/60;  
F24F 3/044; F24F 3/048; F24F 3/16;  
F24F 7/00; F24F 7/04; F24F 12/001;  
F24F 12/006  
See application file for complete search history.

(57) **CLAIM**  
The ornamental design for air-conditioner, as shown and described.

(56) **References Cited**  
U.S. PATENT DOCUMENTS  
D401,682 S \* 11/1998 Galeazzi ..... D23/351  
D448,462 S \* 9/2001 Nanjo ..... D23/351

**DESCRIPTION**  
FIG. 1 is a perspective view of an air-conditioner showing my new design;  
FIG. 2 is a front view thereof;  
FIG. 3 is a rear view thereof;  
FIG. 4 is a plan view thereof;  
FIG. 5 is a bottom view thereof;  
FIG. 6 is a left side view thereof;  
FIG. 7 is a right side view thereof; and,  
FIG. 8 is a cross-sectional view thereof along the line 8-8 in FIG. 2.  
The broken lines depict portions of the air-conditioner that form no part of claimed design.

**1 Claim, 3 Drawing Sheets**

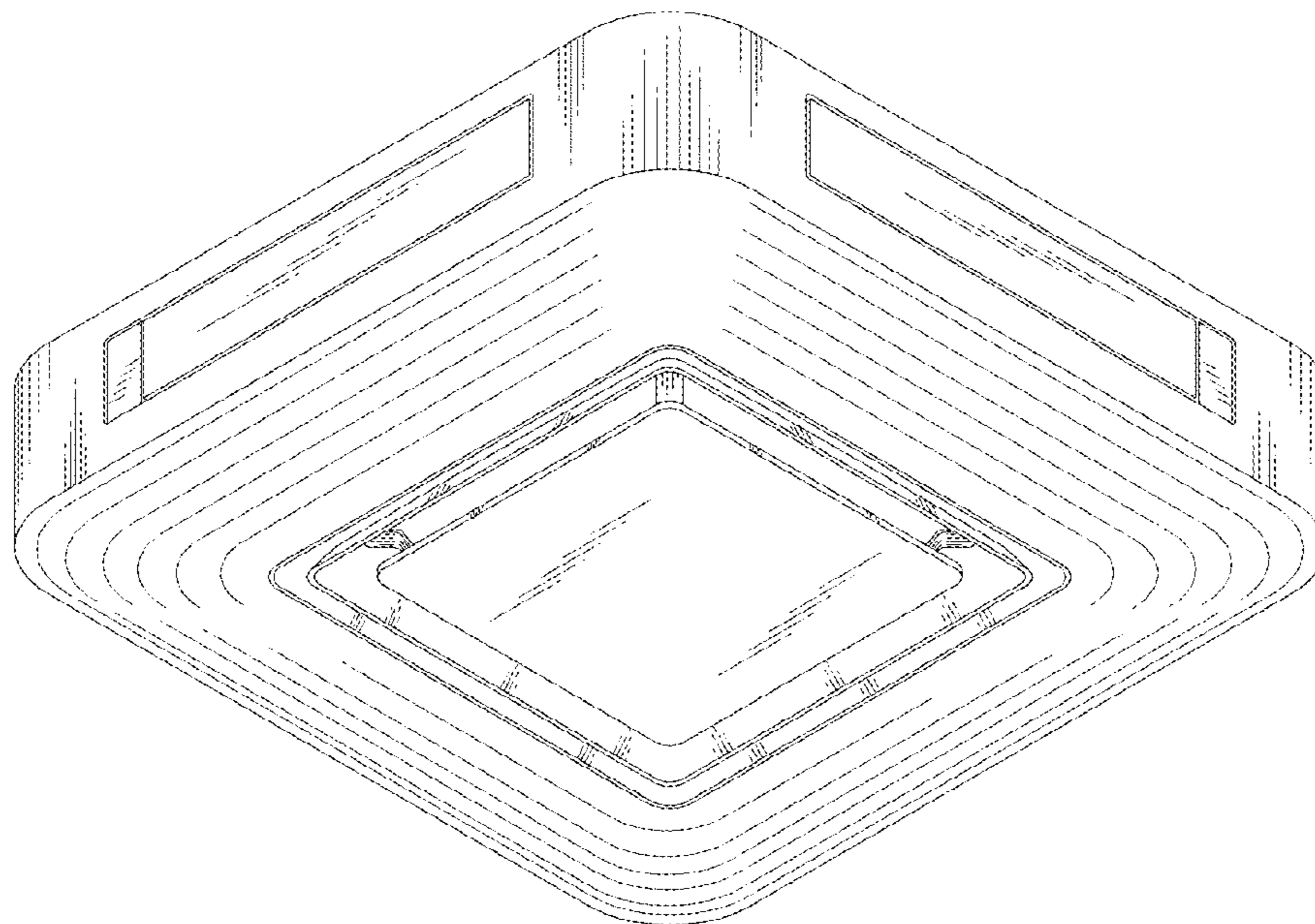


Fig. 1

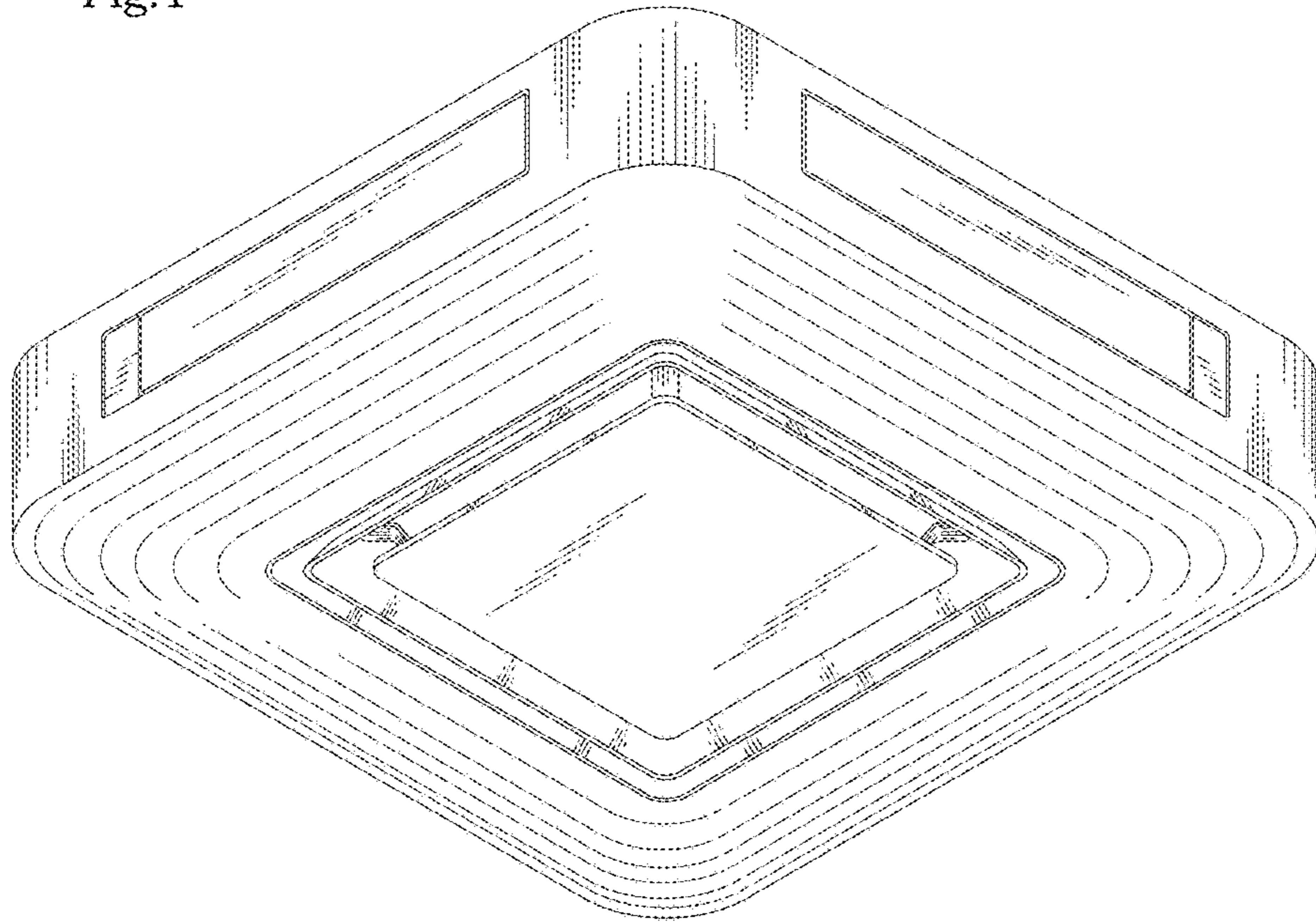


Fig. 2

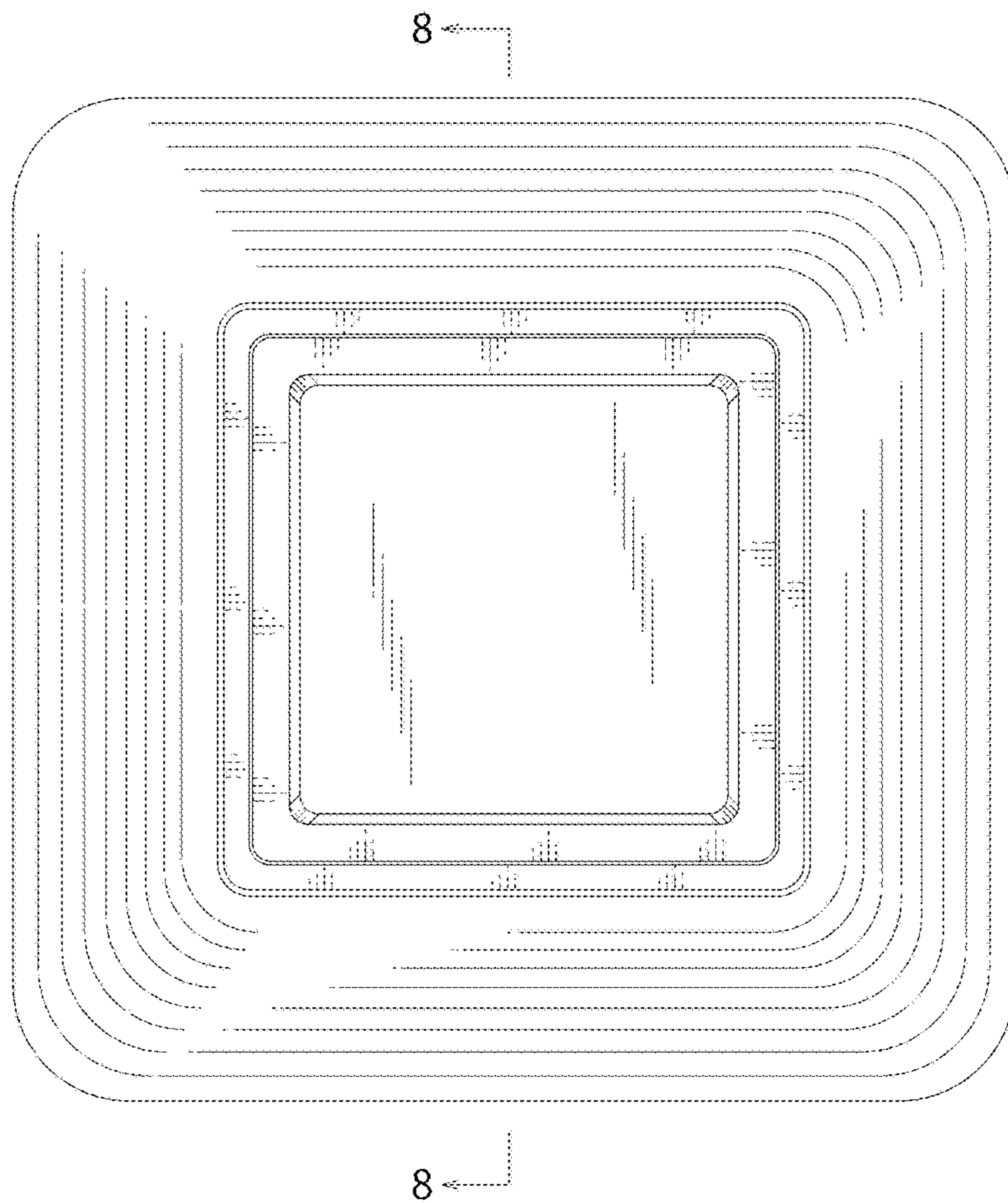


Fig.3

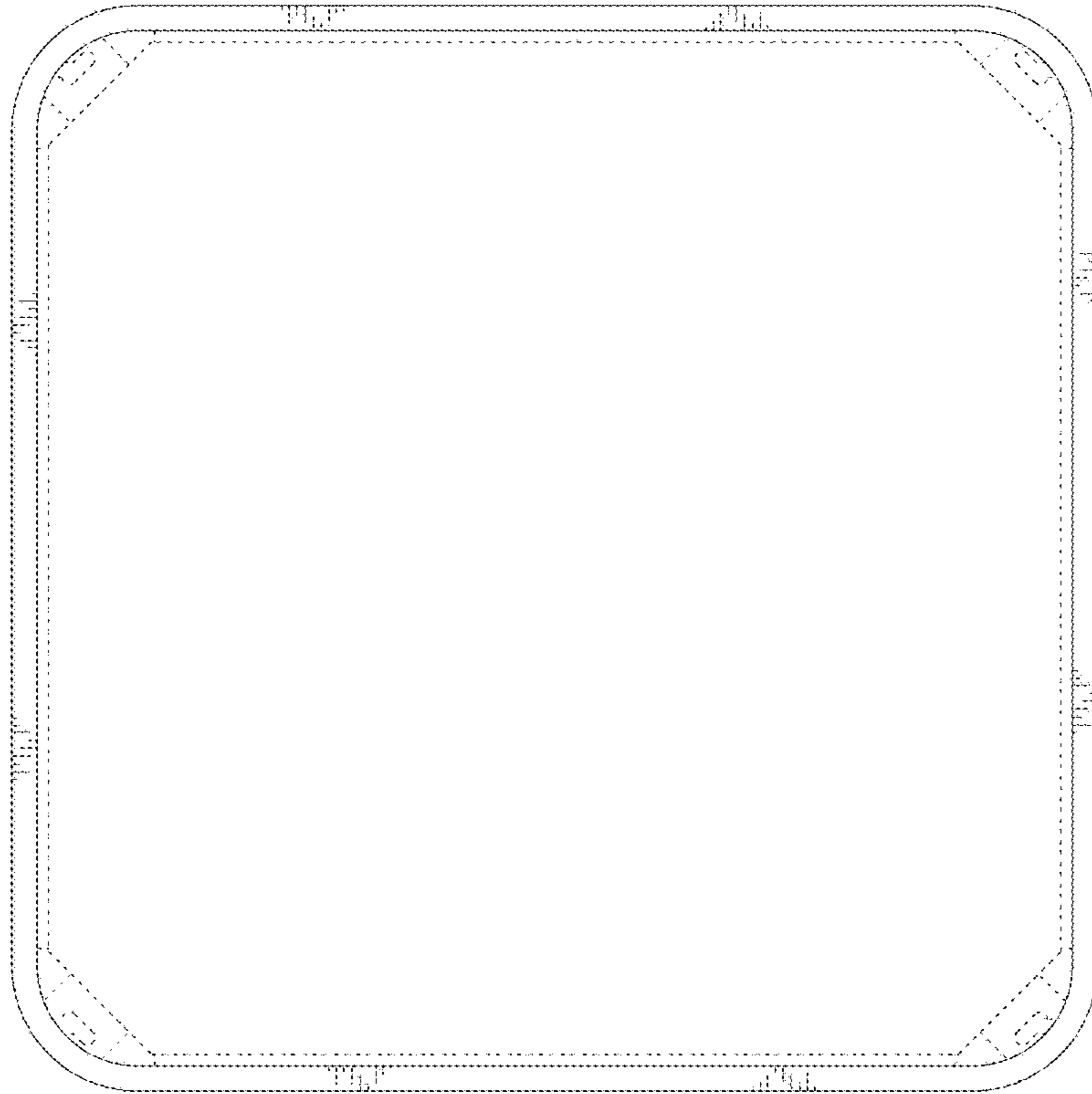


Fig.4

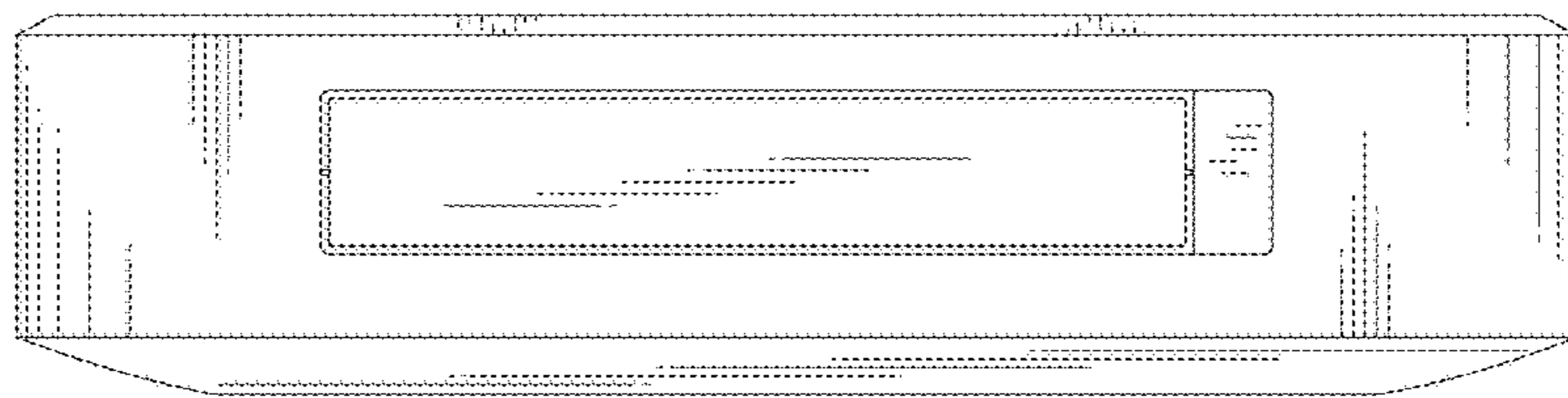


Fig.5

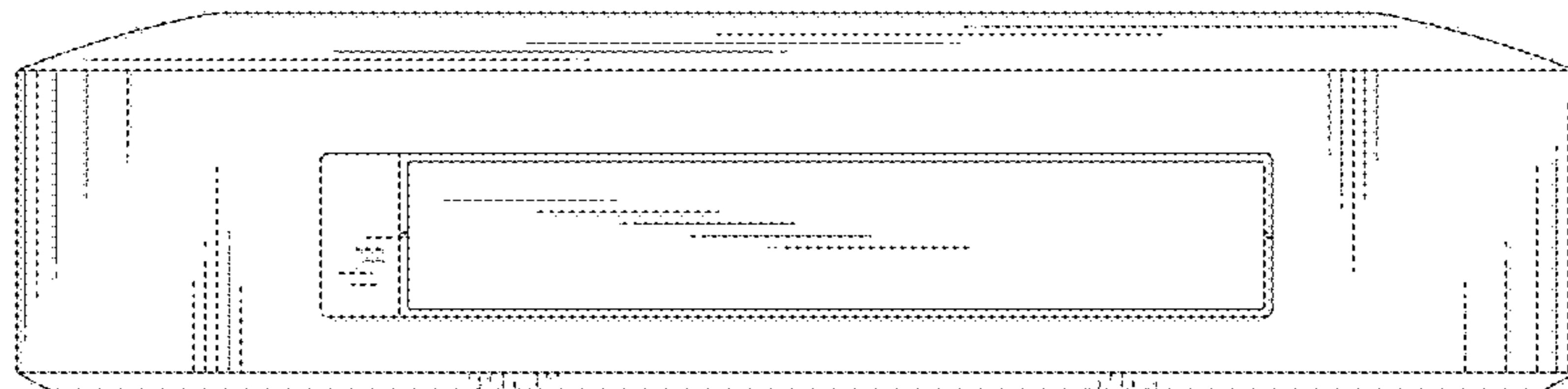


Fig.6

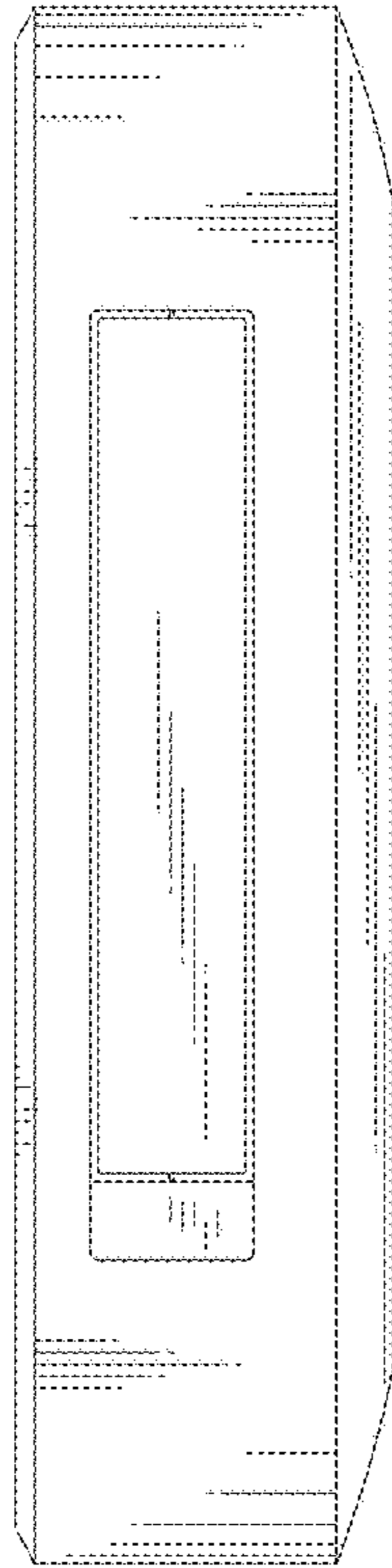


Fig.7

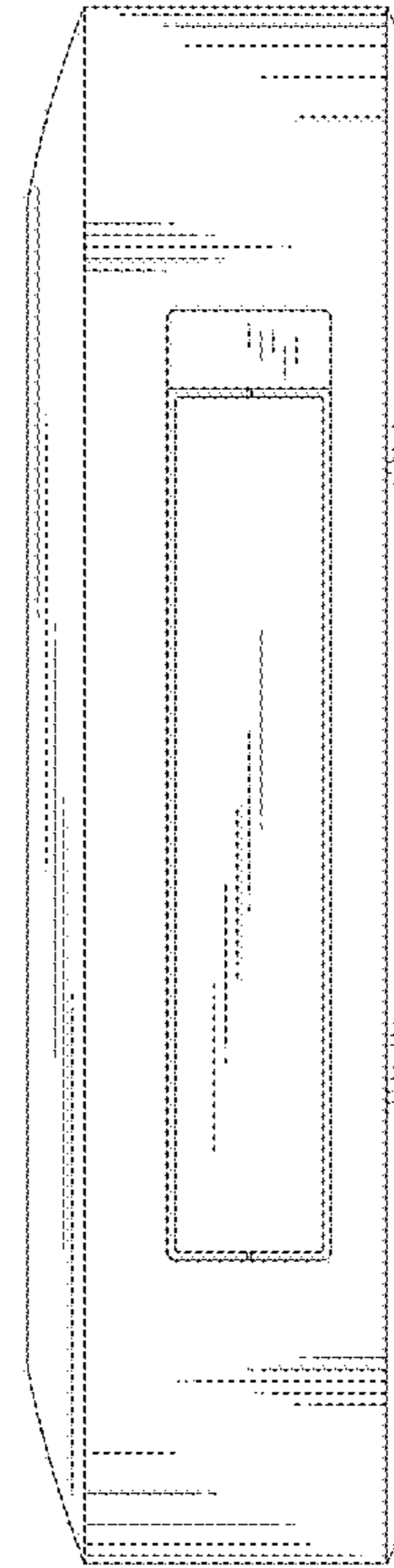


Fig.8

