

US00D822188S

(12) **United States Design Patent**
Pontillas

(10) **Patent No.:** **US D822,188 S**
(45) **Date of Patent:** **** *Jul. 3, 2018**

- (54) **DECORATIVE FIRE TABLE**
- (71) Applicant: **BOND MANUFACTURING CO., INC.,** Antioch, CA (US)
- (72) Inventor: **Lawrence Anthony Pontillas,** Manila (PH)
- (73) Assignee: **BOND MANUFACTURING CO., INC.,** Antioch, CA (US)
- (*) Notice: This patent is subject to a terminal disclaimer.
- (**) Term: **15 Years**
- (21) Appl. No.: **29/605,824**
- (22) Filed: **May 30, 2017**
- (51) **LOC (11) Cl.** **23-03**
- (52) **U.S. Cl.**
USPC **D23/343; D23/332**
- (58) **Field of Classification Search**
USPC D23/314, 317, 329, 332, 334, 335, 337, D23/338, 339, 340, 341, 342, 343; D6/686, 699.2, 671, 677, 687, 690, 691, D6/691.1, 691.2, 691.3, 691.4, 691.5, D6/693, 68, 691.9, 695, 695.2, 698, 703; D7/403, 333
CPC F24B 1/18; F24B 1/1802; F24B 1/181; F24B 1/195; F24B 1/19; F23C 1/08; A47B 37/04; A47B 13/081; F23D 14/28; F24C 5/06
See application file for complete search history.

- (56) **References Cited**
U.S. PATENT DOCUMENTS
3,491,744 A * 1/1970 Von Kohorn, Jr. A47B 31/02 126/25 R
6,609,514 B1 * 8/2003 Bertolas F24B 1/1808 126/519
D694,395 S * 11/2013 Lowsky D23/403

- D765,232 S * 8/2016 Horsfield D23/343
- D785,991 S * 5/2017 Price D6/698
- D805,171 S * 12/2017 Hrydovyy D23/343
- D805,311 S * 12/2017 Mandon D6/349
- 2008/0308645 A1 * 12/2008 Presley B05B 17/08 239/17
- 2010/0062382 A1 * 3/2010 Carey Stachowski F23D 3/08 431/144
- 2014/0174427 A1 * 6/2014 Yuen A47J 37/0781 126/25 R
- 2015/0250305 A1 * 9/2015 Kahler F24C 3/00 108/50.13
- 2016/0123335 A1 * 5/2016 Molnar, IV F24F 7/007 108/28

(Continued)

OTHER PUBLICATIONS

Gasmate Catalog, Gasmate, the outdoors made easy, Heating & Lighting, www.gasmate.co.nz, 2013-2014, 20 pages.

Primary Examiner — T. Chase Nelson

Assistant Examiner — Ania Aman

(74) *Attorney, Agent, or Firm* — Weide and Miller, Ltd.

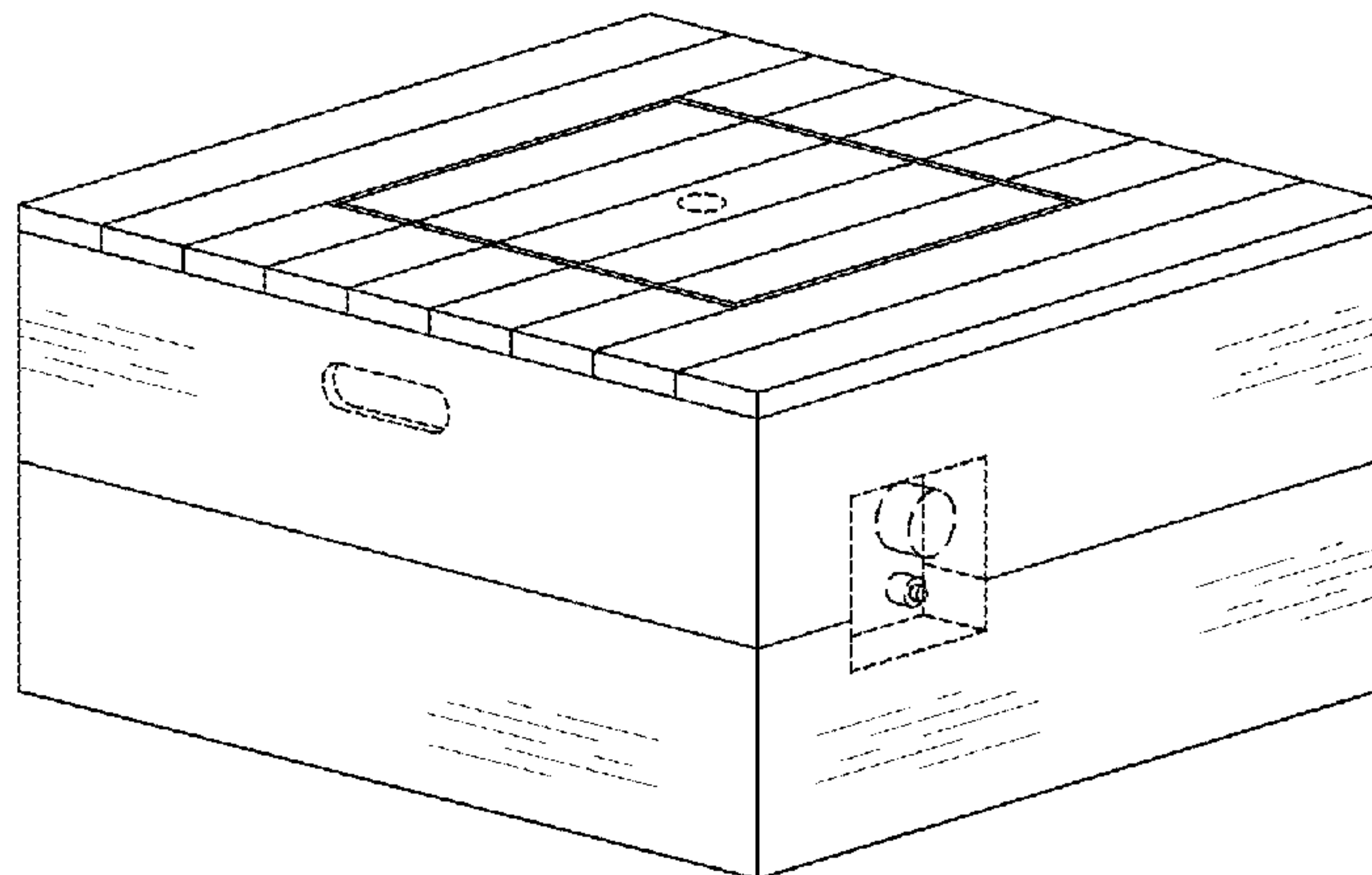
(57) **CLAIM**

The ornamental design for a decorative fire table, as shown and described.

DESCRIPTION

FIG. 1 is a perspective view of a decorative fire table showing the new design.
 FIG. 2 is a perspective view of a decorative fire table showing another environment of use.
 FIG. 3 is a front view of the design shown in FIG. 1.
 FIG. 4 is a back view of the design shown in FIG. 1.
 FIG. 5 is a right-side view of the design shown in FIG. 1.
 FIG. 6 is a left-side view of the design shown in FIG. 1.
 FIG. 7 is a top view of the design shown in FIG. 1; and, FIG. 8 is a bottom view of the design shown in FIG. 1.
 The broken lines indicate unclaimed portions of the article and form no part of the claimed design.

1 Claim, 8 Drawing Sheets



(56)

References Cited

U.S. PATENT DOCUMENTS

2017/0030584 A1* 2/2017 Mueller F24C 1/16
2017/0261210 A1* 9/2017 Harris F24B 1/181

* cited by examiner

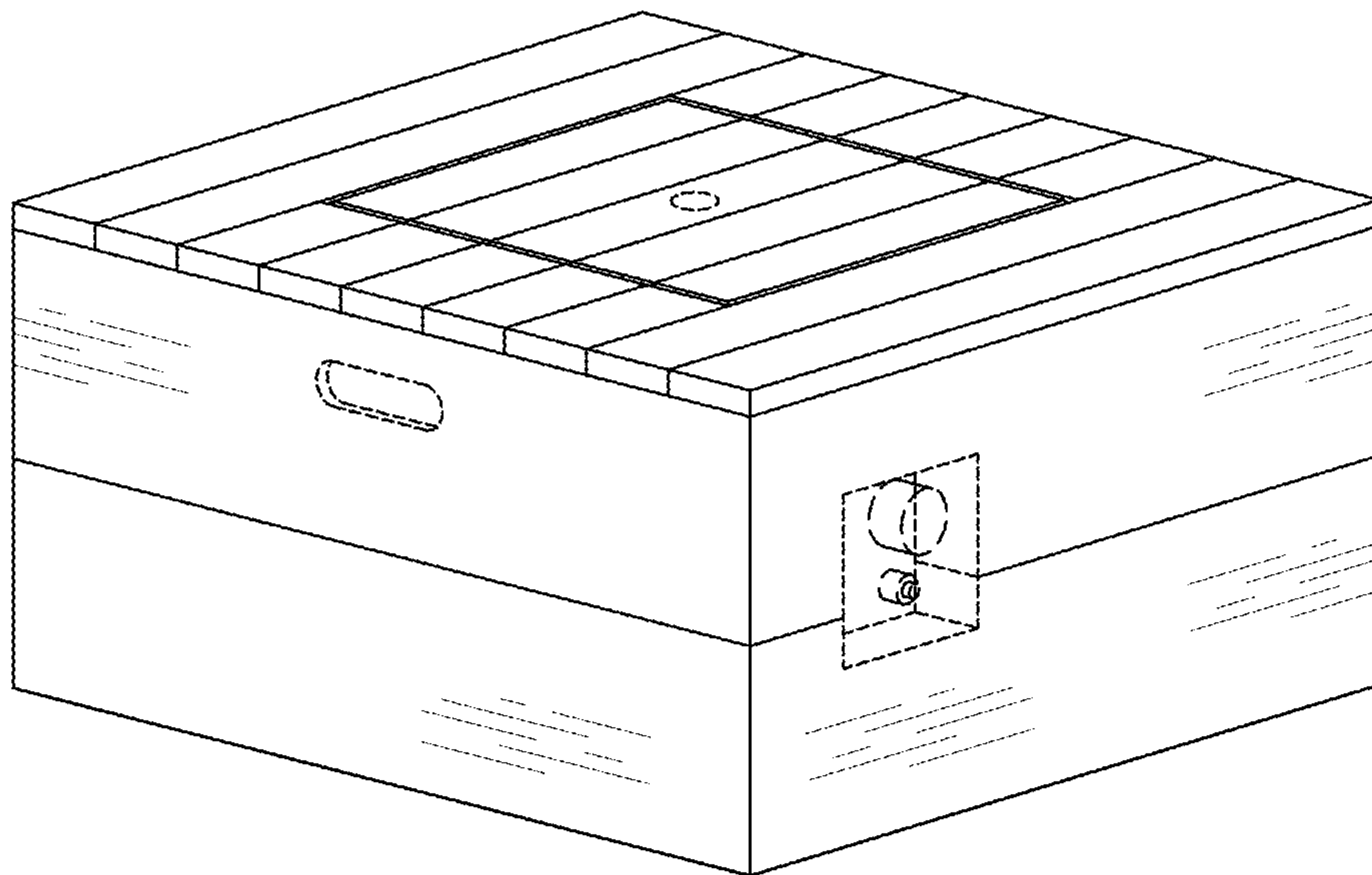


FIG. 1

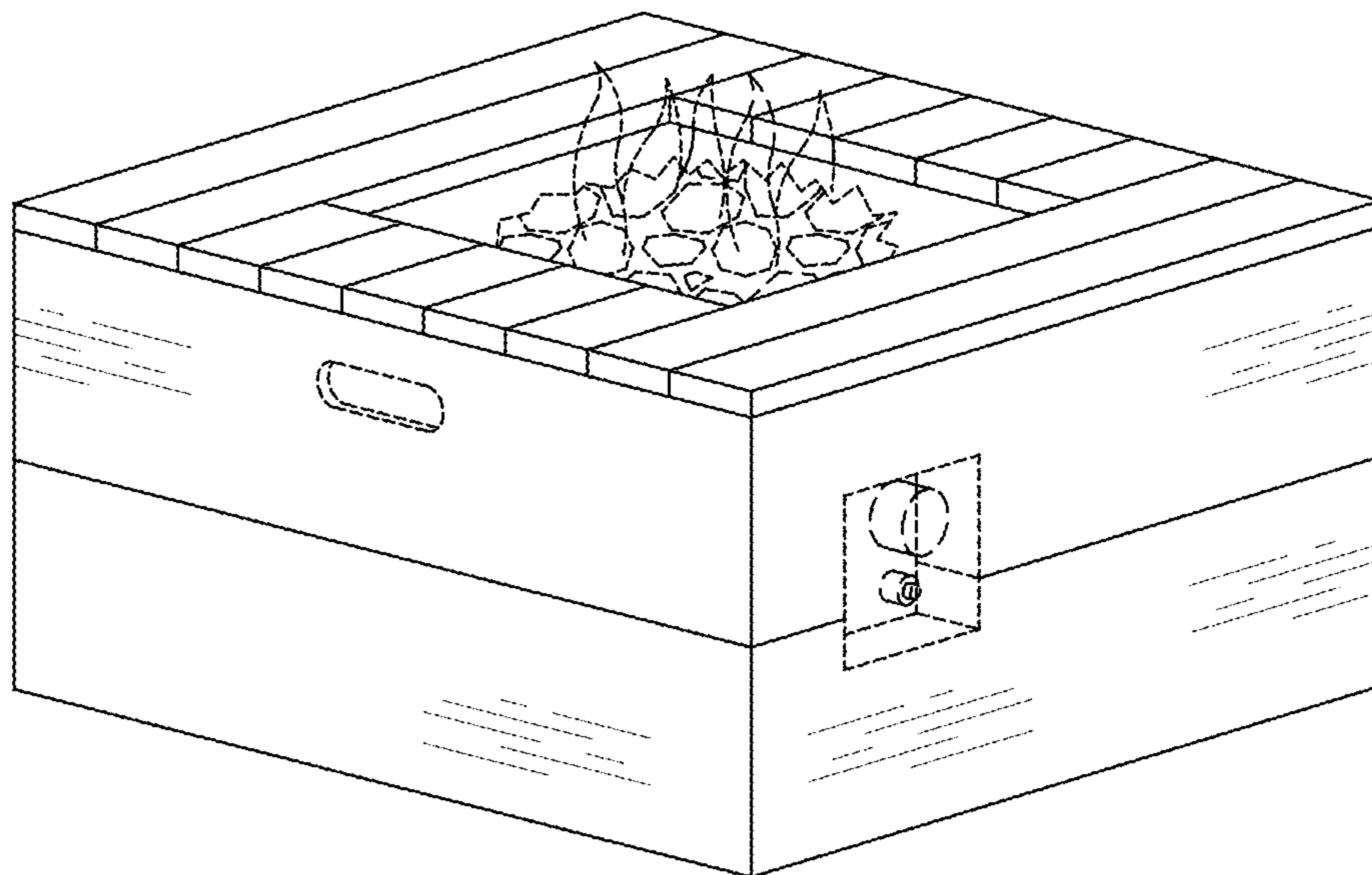


FIG. 2

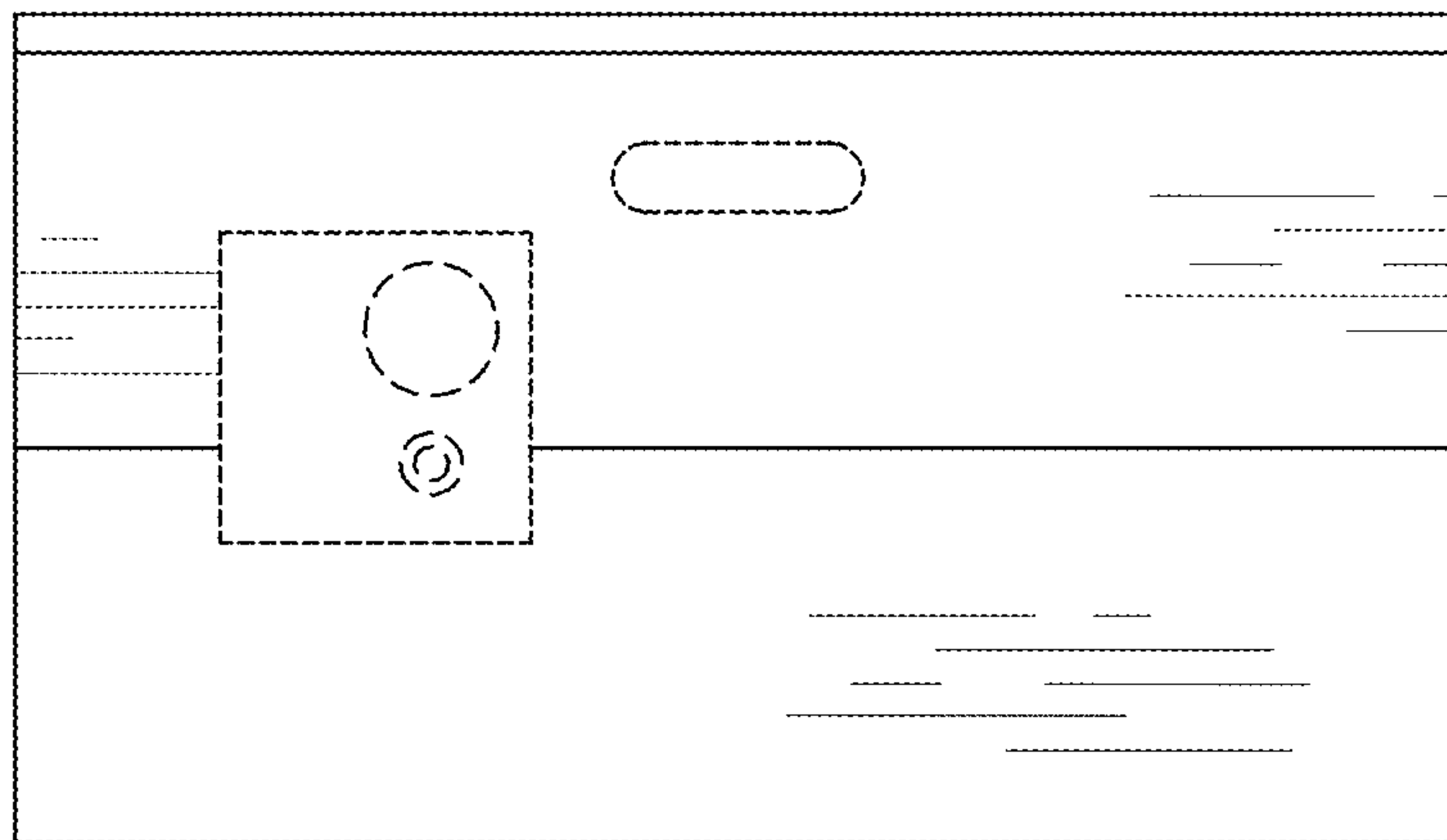


FIG. 3

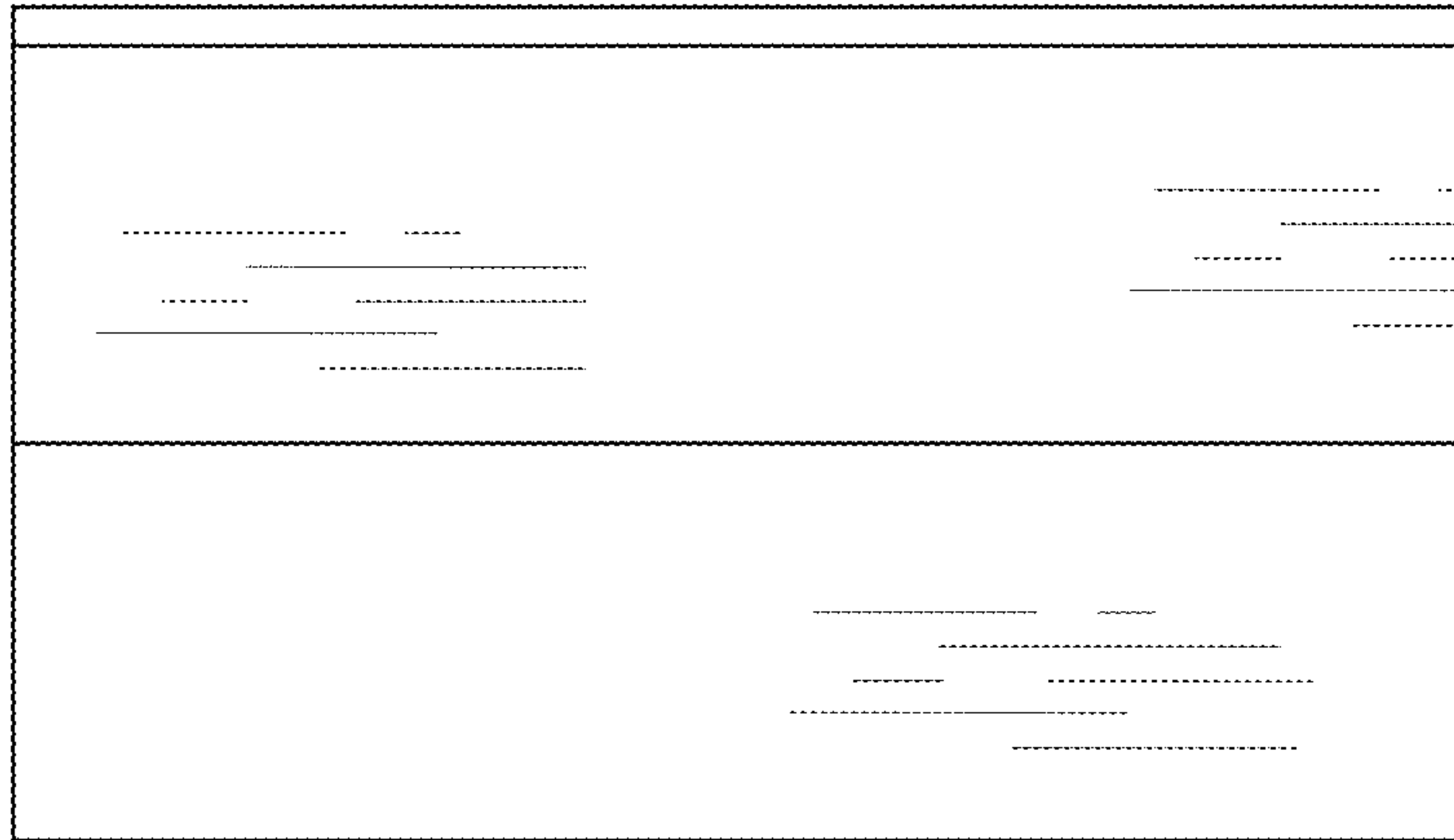


FIG. 4

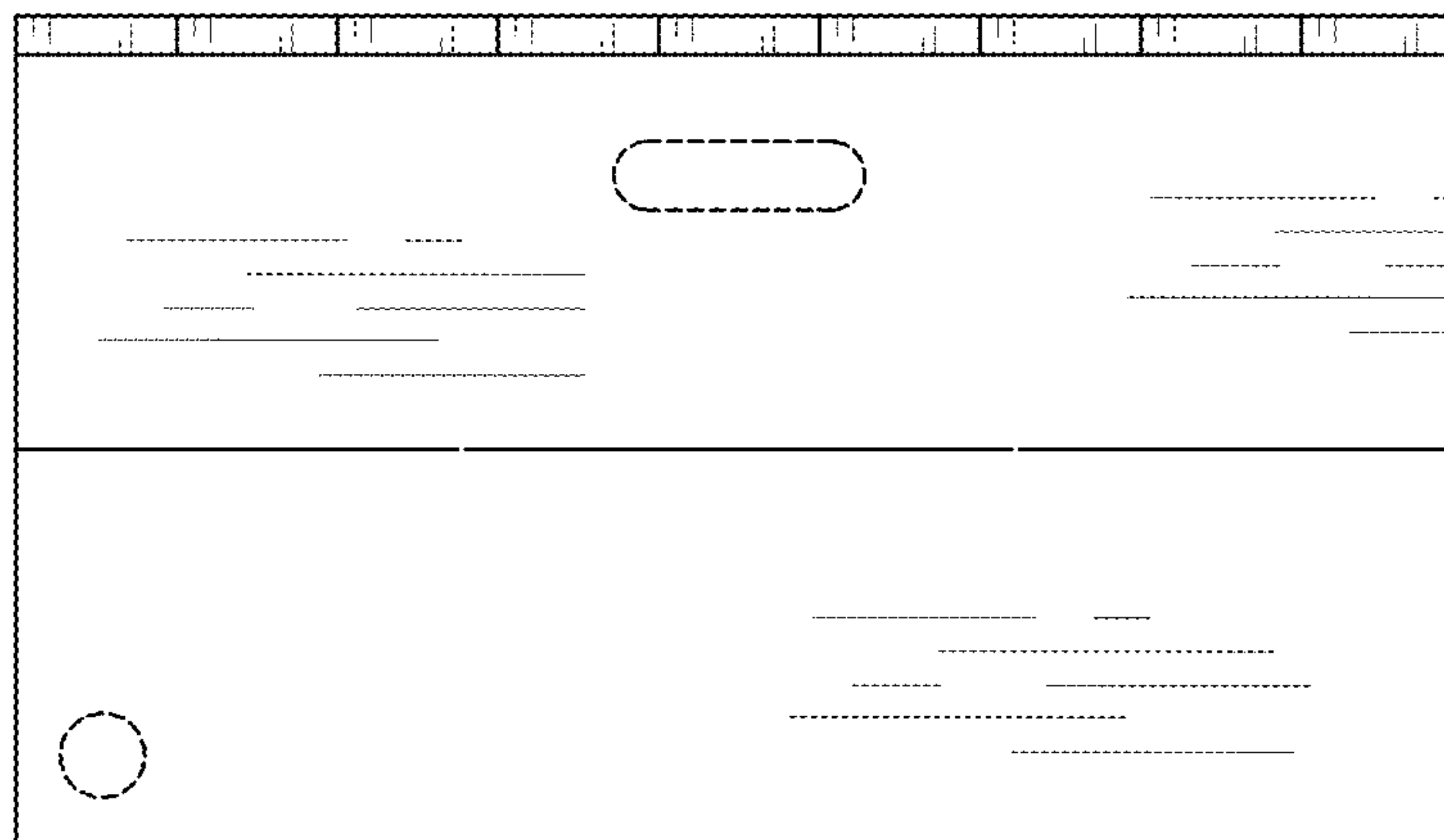


FIG. 5

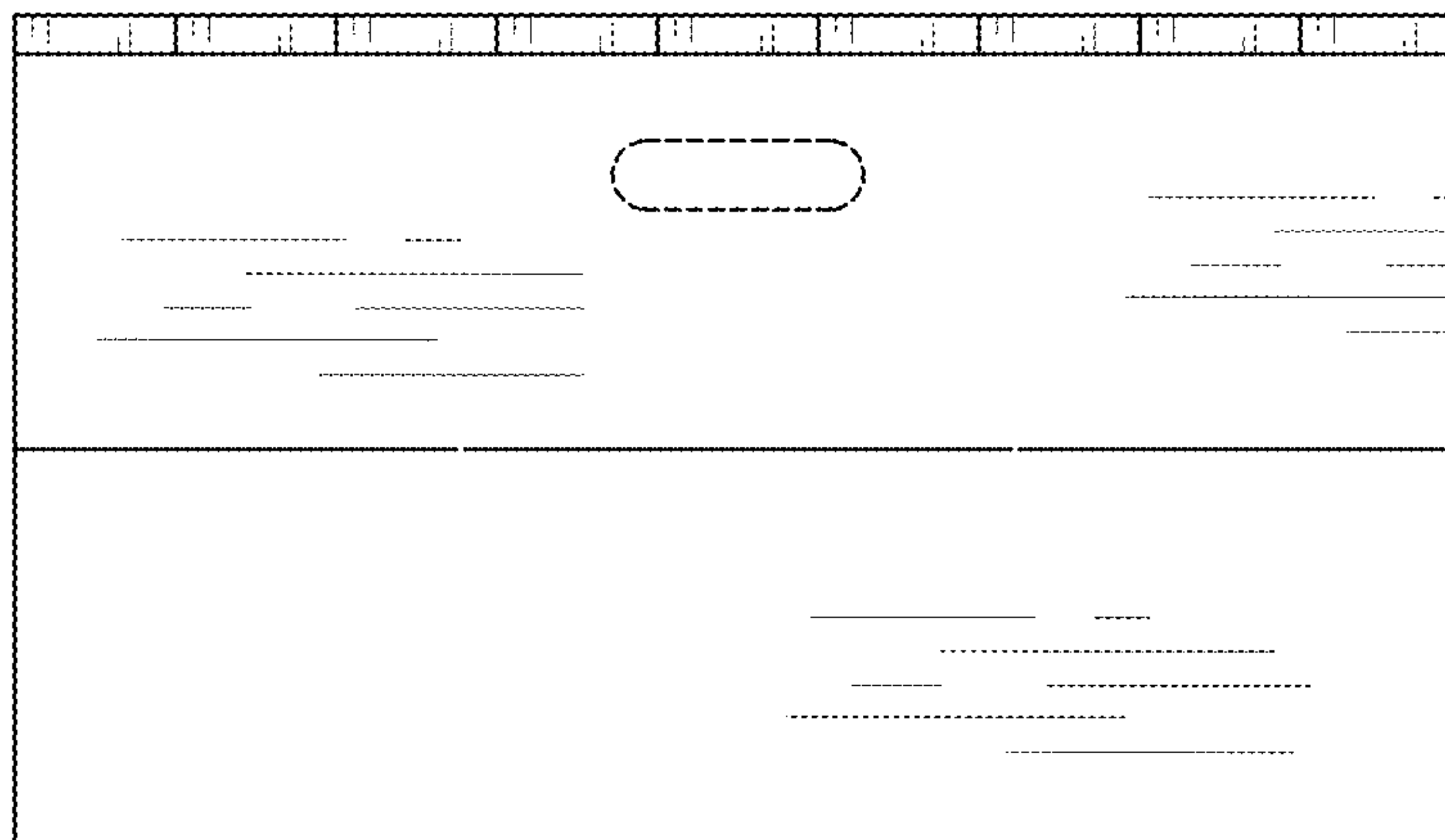


FIG. 6

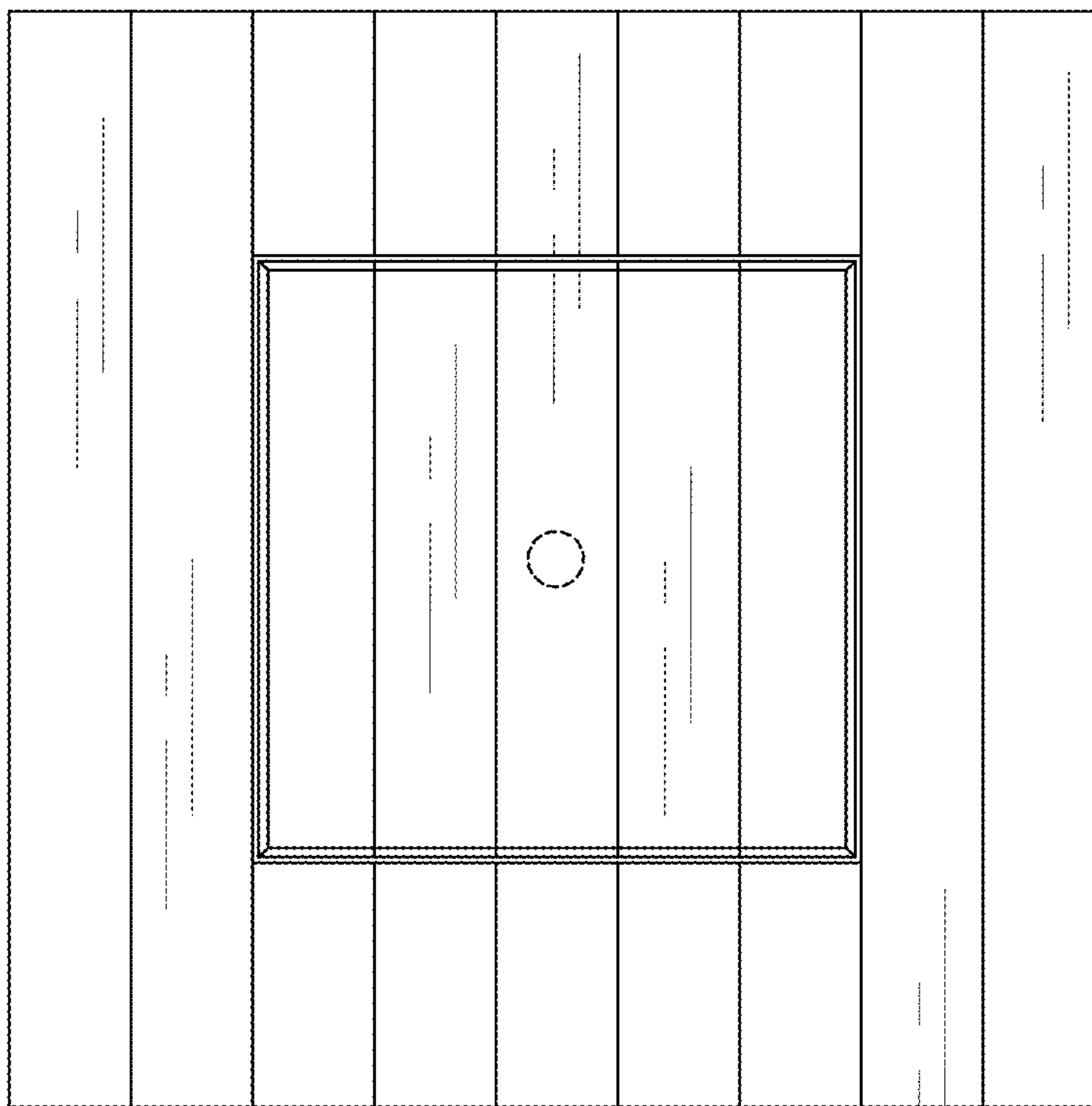


FIG. 7

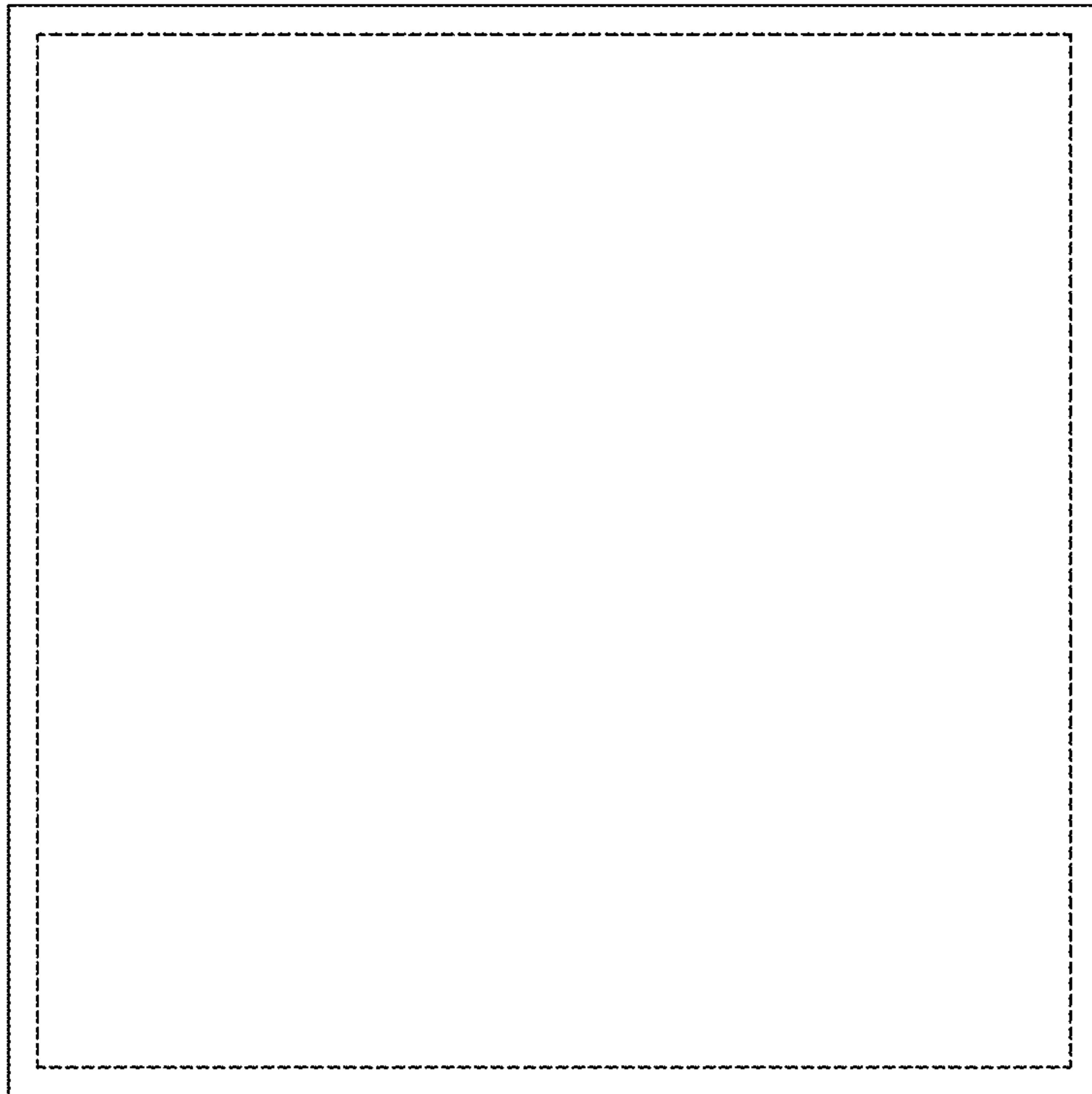


FIG. 8