



US00D822185S

(12) **United States Design Patent** (10) **Patent No.:** **US D822,185 S**  
**Pontillas** (45) **Date of Patent:** **\*\* \*Jul. 3, 2018**

- (54) **DECORATIVE FIRE TABLE**
- (71) Applicant: **BOND MANUFACTURING CO., INC.,** Antioch, CA (US)
- (72) Inventor: **Lawrence Anthony Pontillas,** Manila (PH)
- (73) Assignee: **BOND MANUFACTURING CO., INC.,** Antioch, CA (US)
- (\*) Notice: This patent is subject to a terminal disclaimer.
- (\*\*) Term: **15 Years**
- (21) Appl. No.: **29/605,825**
- (22) Filed: **May 30, 2017**
- (51) **LOC (11) Cl.** ..... **23-03**
- (52) **U.S. Cl.**  
USPC ..... **D23/332**
- (58) **Field of Classification Search**  
USPC ..... D23/314, 317, 329, 332, 334, 335, 337, D23/338, 339, 340, 341, 342, 343, 34, 3; D6/686, 699.2, 671, 677, 687, 690, 691, D6/691.1, 691.2, 691.3, 691.4, 691.5, D6/693, 68, 691.9, 695, 695.2, 698, 703; D7/403, 333  
CPC ..... F24B 1/18; F24B 1/1802; F24B 1/181; F24B 1/195; F24B 1/19; F23C 1/08; A47B 37/04; A47B 13/081; F23D 14/28; F24C 5/06  
See application file for complete search history.

- (56) **References Cited**  
**U.S. PATENT DOCUMENTS**  
3,491,744 A \* 1/1970 Von Kohorn, Jr. .... A47B 31/02 126/25 R  
3,623,458 A \* 11/1971 Block ..... F24H 1/145 122/18.4  
6,609,514 B1 \* 8/2003 Bertolas ..... F24B 1/1808 126/519

- D694,395 S \* 11/2013 Lowsky ..... D23/403
- D771,396 S \* 11/2016 Mandon ..... D6/349
- D785,991 S \* 5/2017 Price ..... D6/698
- D804,872 S \* 12/2017 Price ..... D6/699.2
- D805,171 S \* 12/2017 Hrydovyy ..... D23/343
- D805,311 S \* 12/2017 Mandon ..... D6/349
- D805,332 S \* 12/2017 Price ..... D6/699.2
- 2008/0308645 A1 \* 12/2008 Presley ..... B05B 17/08 239/17
- 2010/0062382 A1 \* 3/2010 Carey Stachowski .... F23D 3/08 431/144
- 2014/0174427 A1 \* 6/2014 Yuen ..... A47J 37/0781 126/25 R

(Continued)

**OTHER PUBLICATIONS**

Gasmate Catalog, Gasmate, the outdoors made easy, Heating & Lighting, www.gasmate.co.nz, 2013-2014, 20 pages.

*Primary Examiner* — T. Chase Nelson  
*Assistant Examiner* — Ania Aman

(74) *Attorney, Agent, or Firm* — Weide and Miller, Ltd.

(57) **CLAIM**

The ornamental design for a decorative fire table, as shown and described.

**DESCRIPTION**

FIG. 1 is a perspective view of a decorative fire table showing the new design.

FIG. 2 is a perspective view of a decorative fire table showing another environment of use.

FIG. 3 is a front view of the design shown in FIG. 1.

FIG. 4 is a back view of the design shown in FIG. 1.

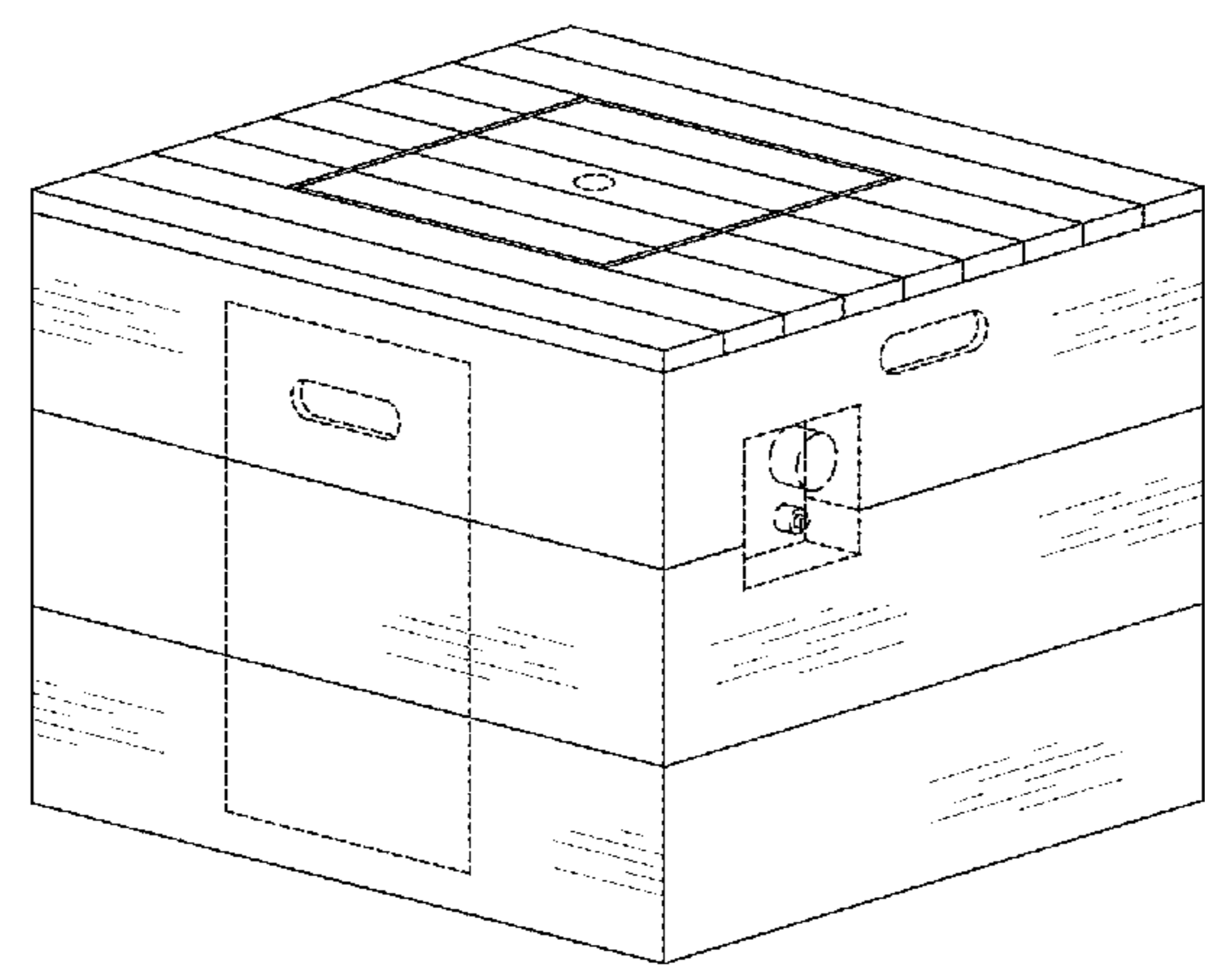
FIG. 5 is a right-side view of the design shown in FIG. 1.

FIG. 6 is a left-side view of the design shown in FIG. 1.

FIG. 7 is a top view of the design shown in FIG. 1; and, FIG. 8 is a bottom view of the design shown in FIG. 1.

The broken lines indicate unclaimed portions of the article and form no part of the claimed design.

**1 Claim, 8 Drawing Sheets**



(56)

**References Cited**

U.S. PATENT DOCUMENTS

2015/0250305 A1\* 9/2015 Kahler ..... F24C 3/00  
108/50.13  
2016/0123335 A1\* 5/2016 Molnar, IV ..... F24F 7/007  
108/28  
2017/0030584 A1\* 2/2017 Mueller ..... F24C 1/16  
2017/0261210 A1\* 9/2017 Harris ..... F24B 1/181

\* cited by examiner

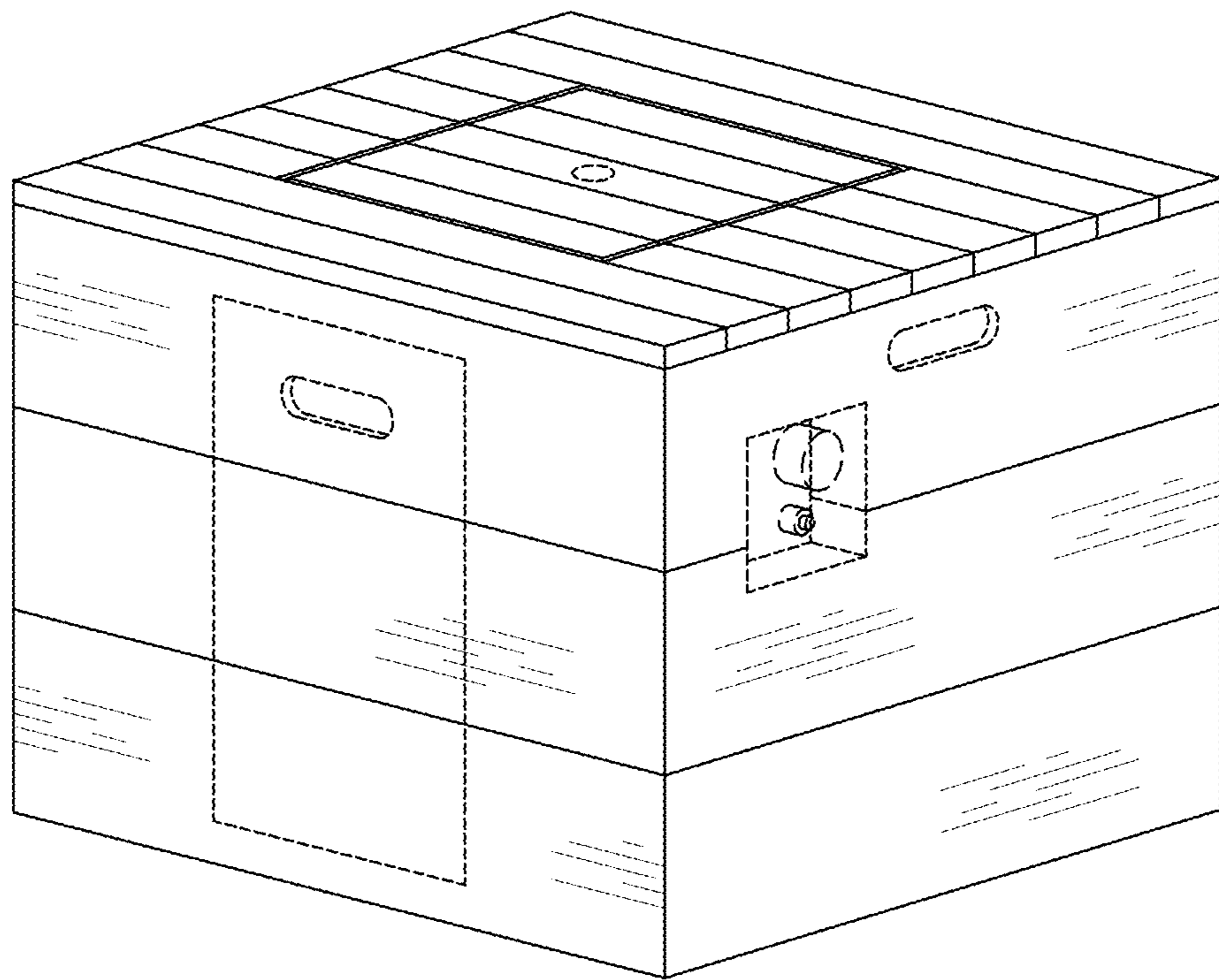


FIG. 1

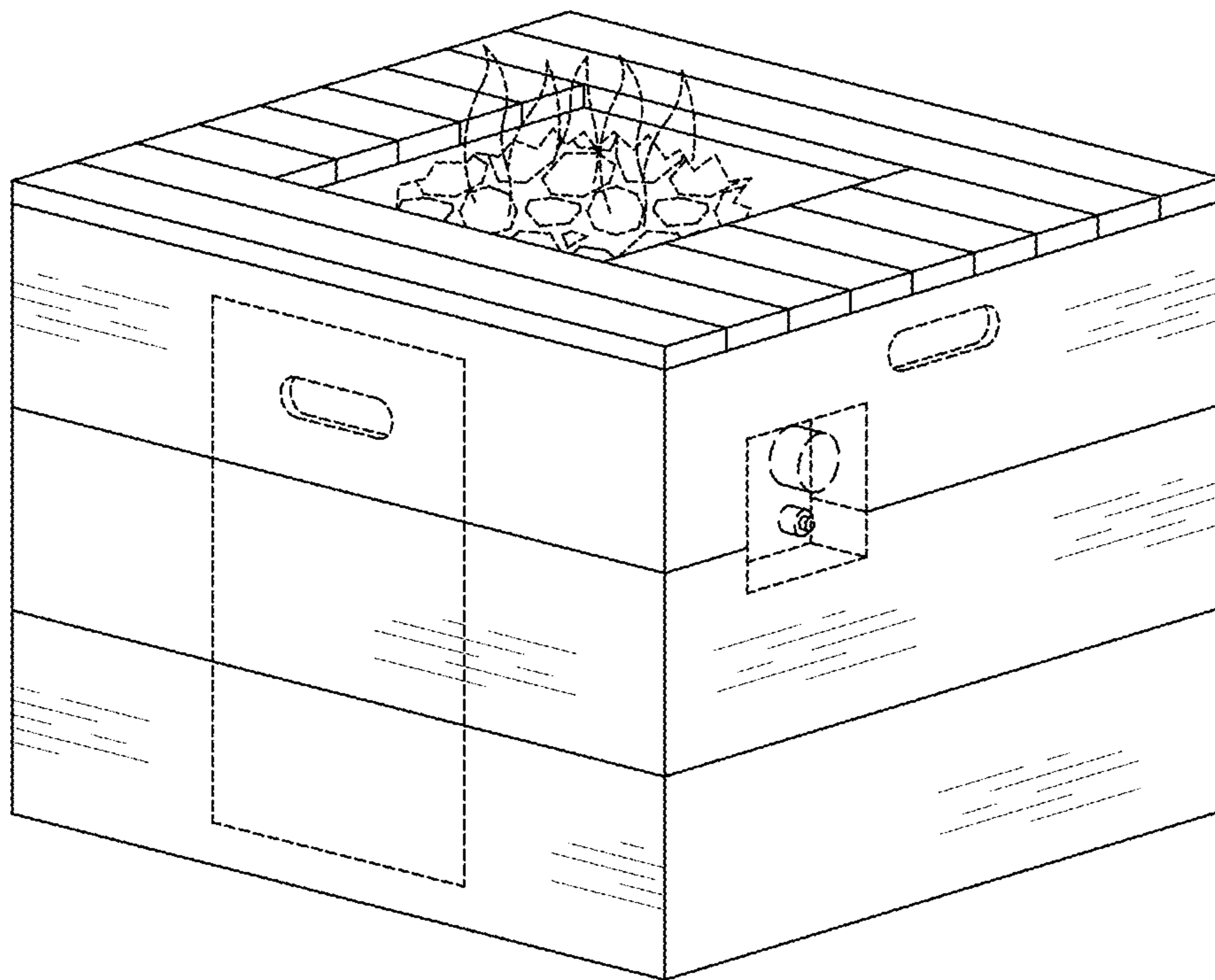


FIG. 2

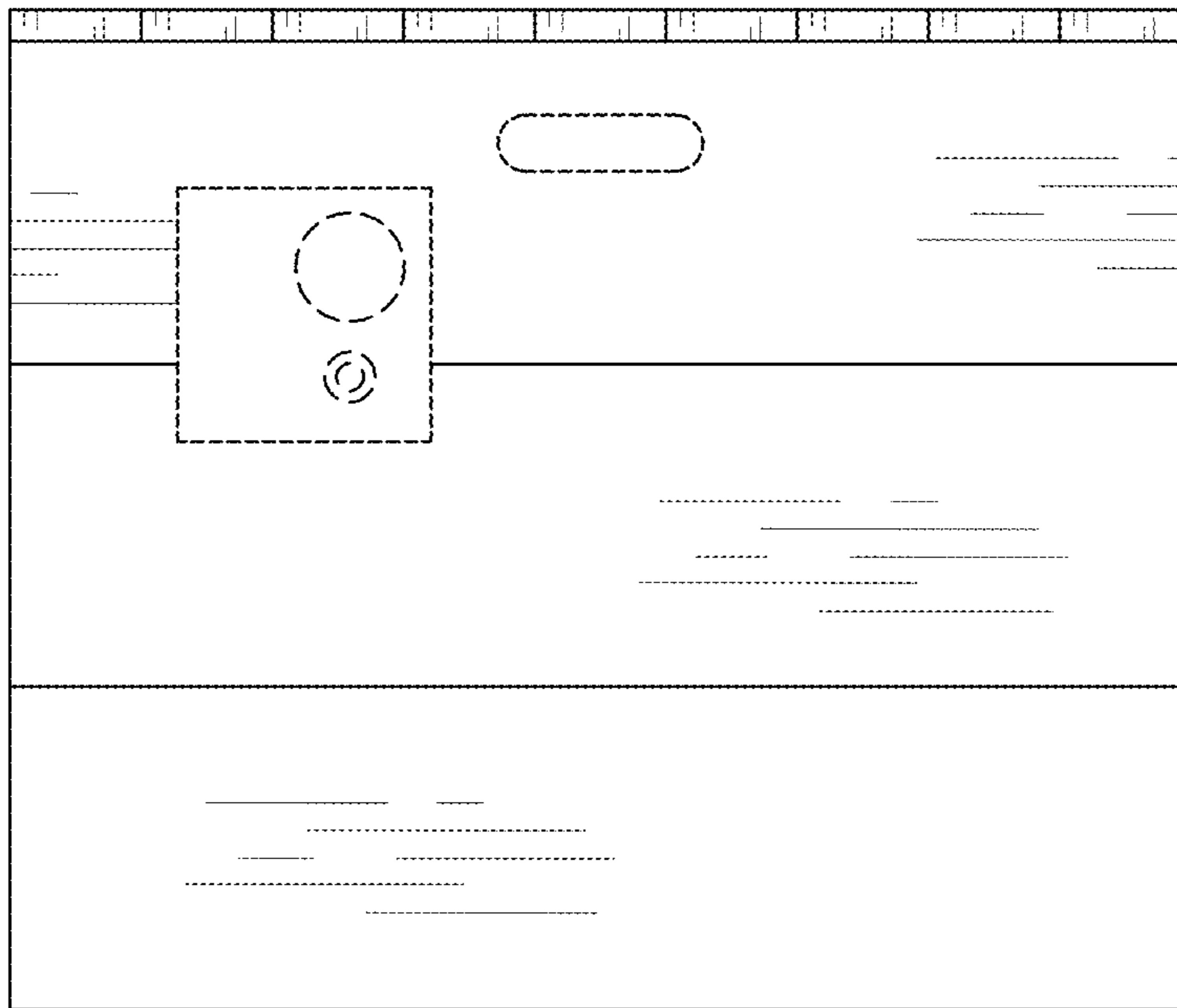


FIG. 3

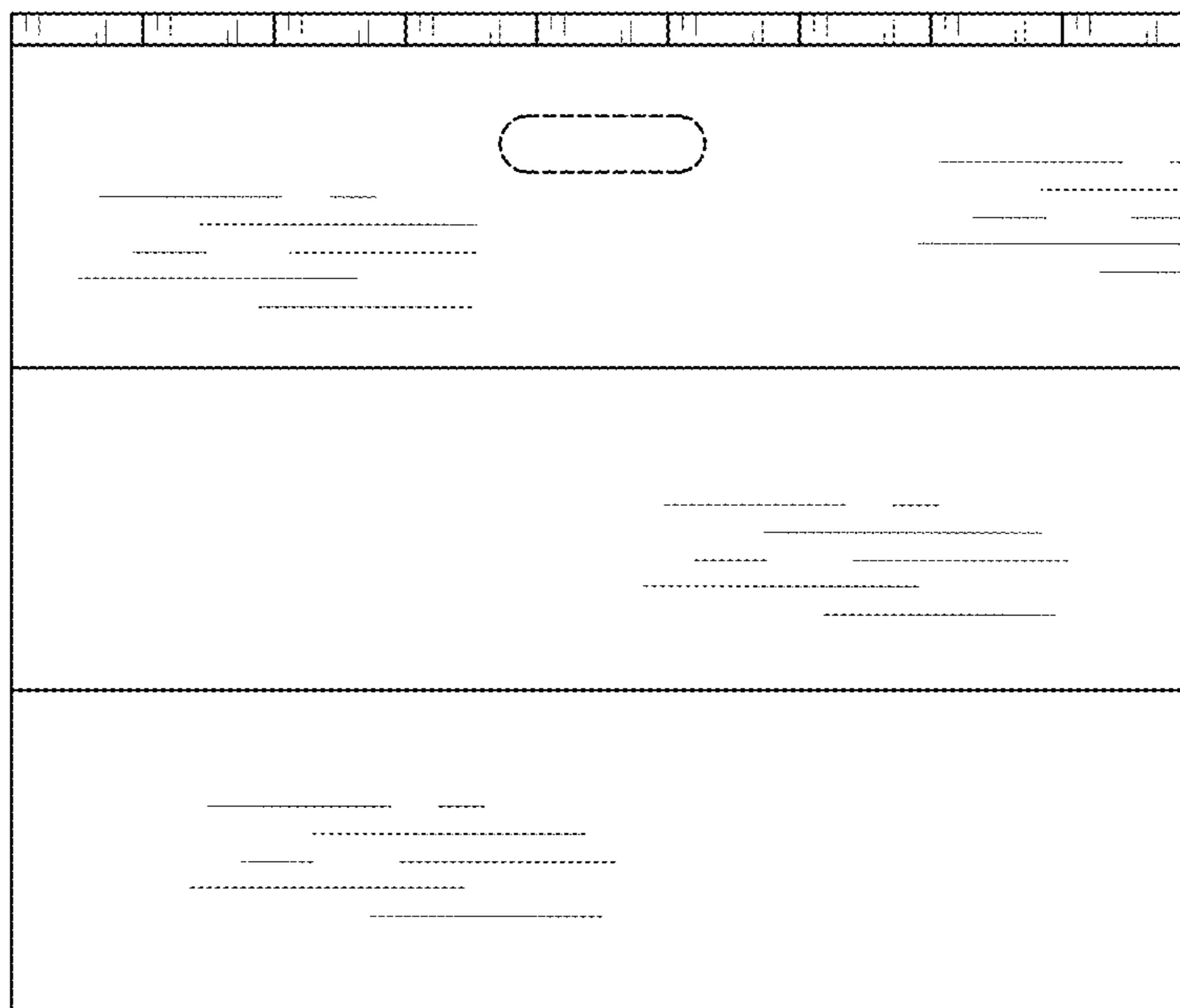


FIG. 4



FIG. 5

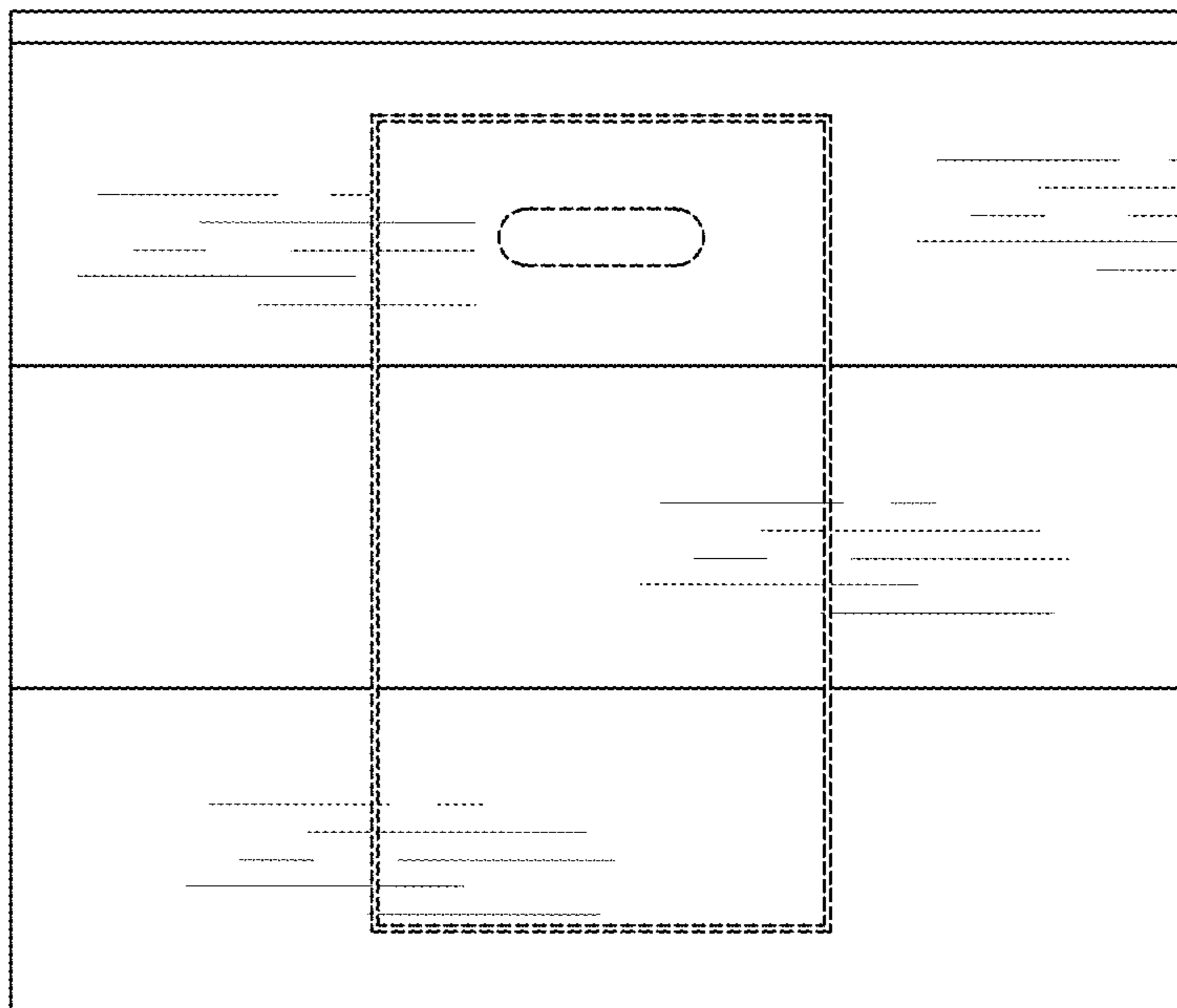


FIG. 6



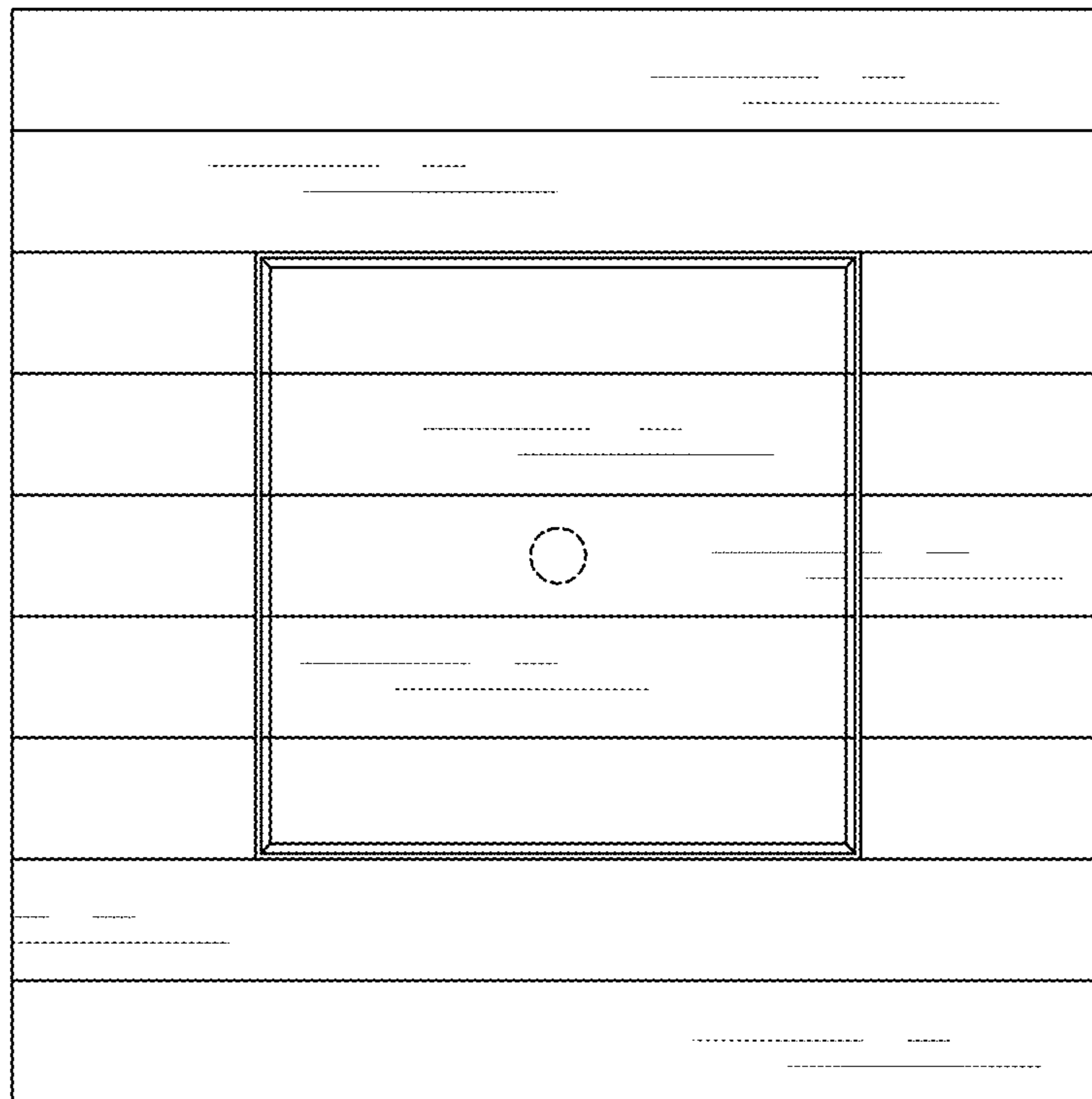


FIG. 7

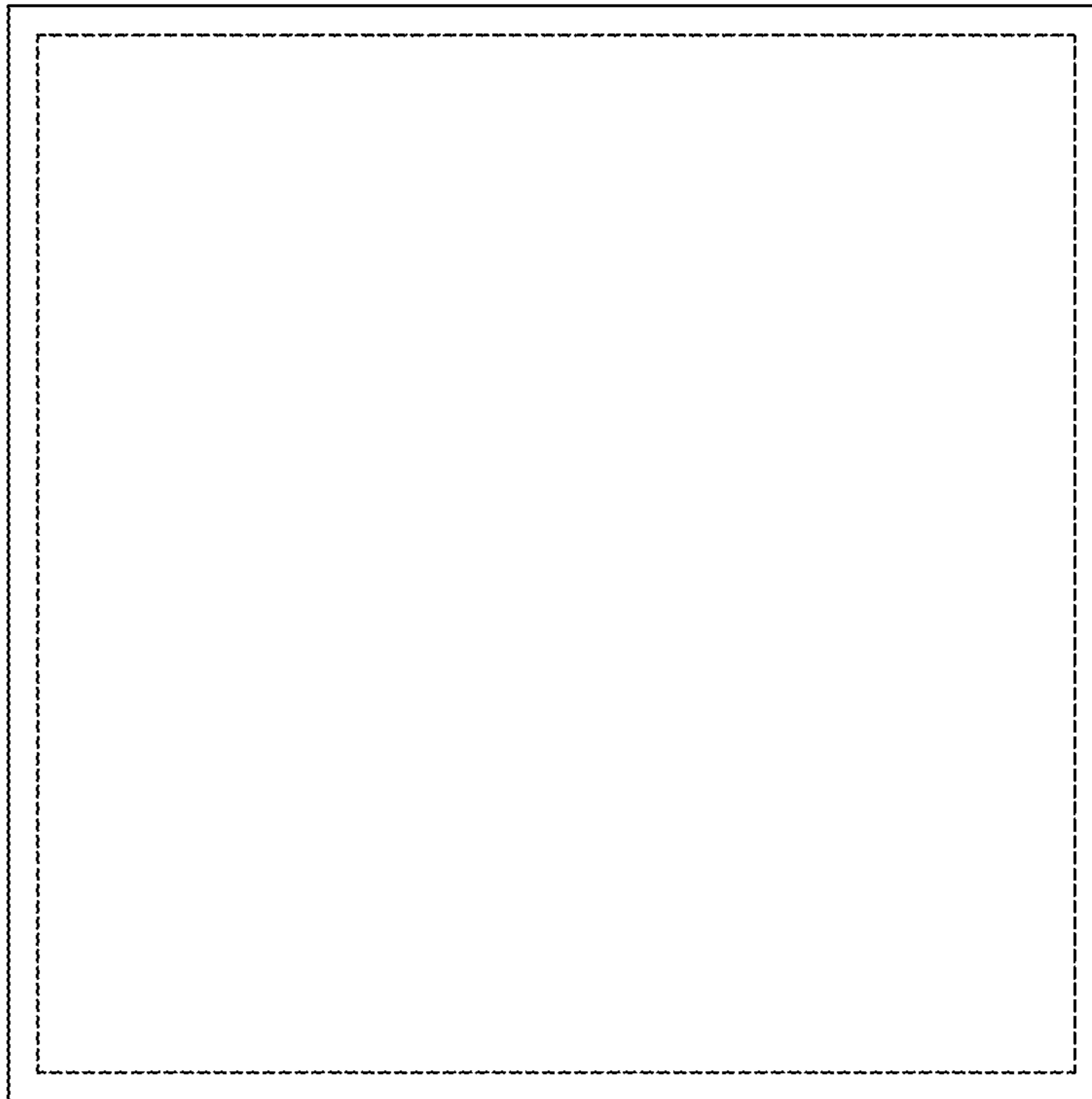


FIG. 8