



US00D822184S

(12) **United States Design Patent**
Yamaguchi et al.

(10) **Patent No.:** **US D822,184 S**
(45) **Date of Patent:** **** Jul. 3, 2018**

(54) **WATER HEATER**

(71) Applicant: **NORITZ CORPORATION**, Hyogo (JP)

(72) Inventors: **Hideki Yamaguchi**, Kobe (JP);
Hironao Matsunaga, Amagasaki (JP);
Hidefumi Koda, Fountain Valley, CA (US);
Teizo Nanbu, Kobe (JP)

(73) Assignee: **NORITZ CORPORATION**, Hyogo (JP)

(**) Term: **15 Years**

(21) Appl. No.: **29/609,821**

(22) Filed: **Jul. 6, 2017**

Related U.S. Application Data

(62) Division of application No. 29/520,283, filed on Mar. 12, 2015, now Pat. No. Des. 804,623.

(51) **LOC (11) Cl.** **23-03**

(52) **U.S. Cl.**
USPC **D23/322**

(58) **Field of Classification Search**
USPC D23/318, 319, 320, 321, 322, 314, 317,
D23/329, 330, 342, 262, 259, 266, 323;
D13/184

(Continued)

(56) **References Cited**

U.S. PATENT DOCUMENTS

D483,451 S * 12/2003 Yamamoto D23/320
D483,452 S 12/2003 Yamamoto et al.

(Continued)

Primary Examiner — T. Chase Nelson

Assistant Examiner — Ania Aman

(74) *Attorney, Agent, or Firm* — Studebaker & Brackett
PC

(57) **CLAIM**

The ornamental design for a water heater, as shown and described.

DESCRIPTION

FIG. 1 is a front view of a water heater of the present design illustrating a portion of the present design;

FIG. 2 is a rear view thereof;

FIG. 3 is a top plan view thereof;

FIG. 4 is a bottom plan view thereof;

FIG. 5 is a right side view thereof;

FIG. 6 is a left side view thereof;

FIG. 7 is a perspective view showing front, top plan and right side thereof;

FIG. 8 is a perspective view showing rear, top plan and left side thereof;

FIG. 9 is an enlarged front view of the portion 9-9 of FIG. 1 thereof;

FIG. 10 is a cross sectional view of the portion taken along line 10-10 of FIG. 1 thereof;

FIG. 11 is a cross sectional view of the portion taken along line 11-11 of FIG. 9 thereof;

FIG. 12 is a cross sectional view of the portion taken along line 12-12 of FIG. 9 thereof;

FIG. 13 is a cross sectional view of the portion taken along line 13-13 of FIG. 9 thereof;

FIG. 14 is a front view of a water heater of an alternative embodiment of the present design illustrating a portion of the present design;

FIG. 15 is a rear view thereof;

FIG. 16 is a top plan view thereof;

FIG. 17 is a bottom plan view thereof;

FIG. 18 is a right side view thereof;

FIG. 19 is a left side view thereof;

FIG. 20 is a perspective view showing front, top plan and right side thereof;

FIG. 21 is a perspective view showing rear, top plan and left side thereof;

FIG. 22 is an enlarged front view of the portion 22-22 of FIG. 14 thereof;

FIG. 23 is a cross sectional view of the portion taken along line 23-23 of FIG. 14 thereof;

(Continued)

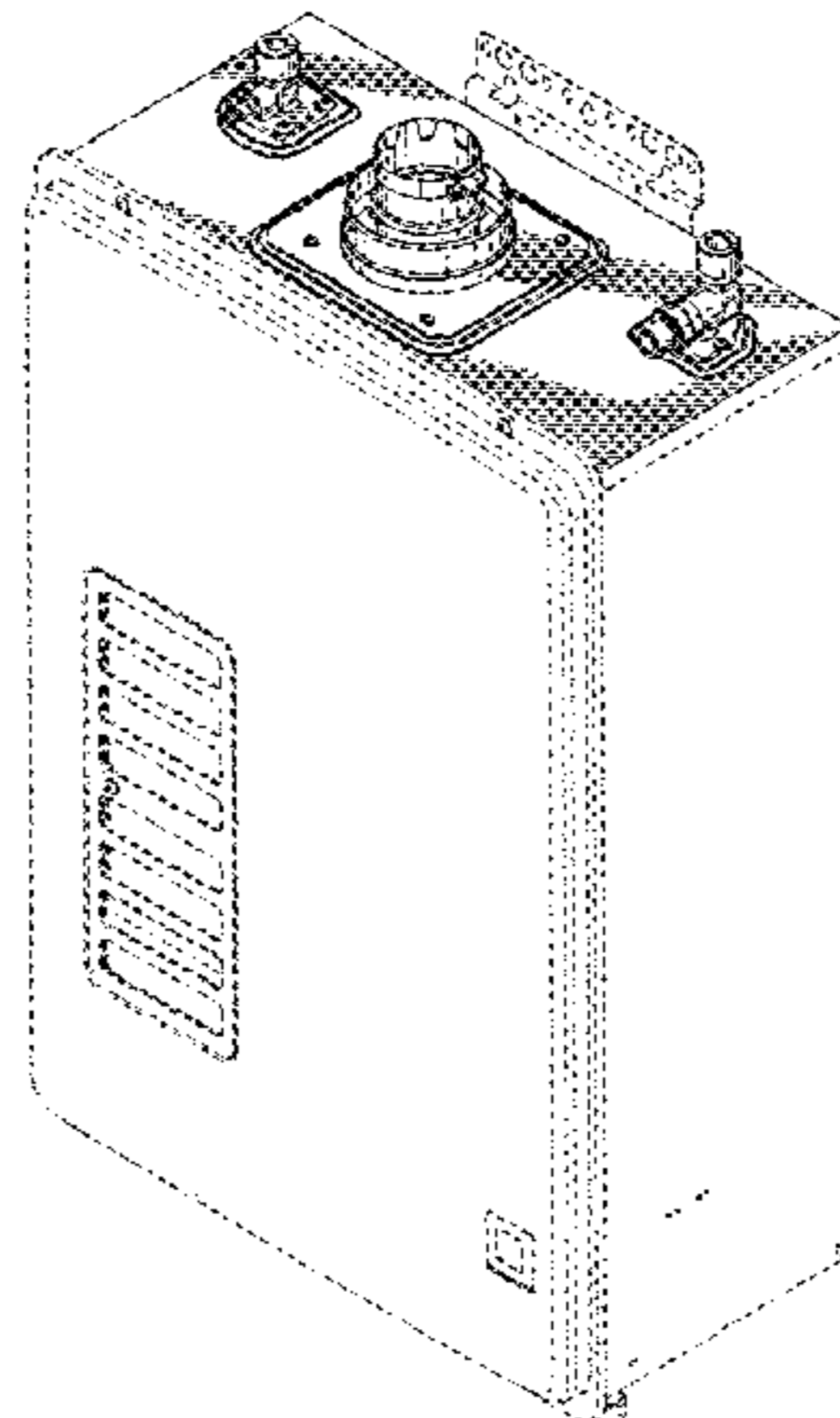
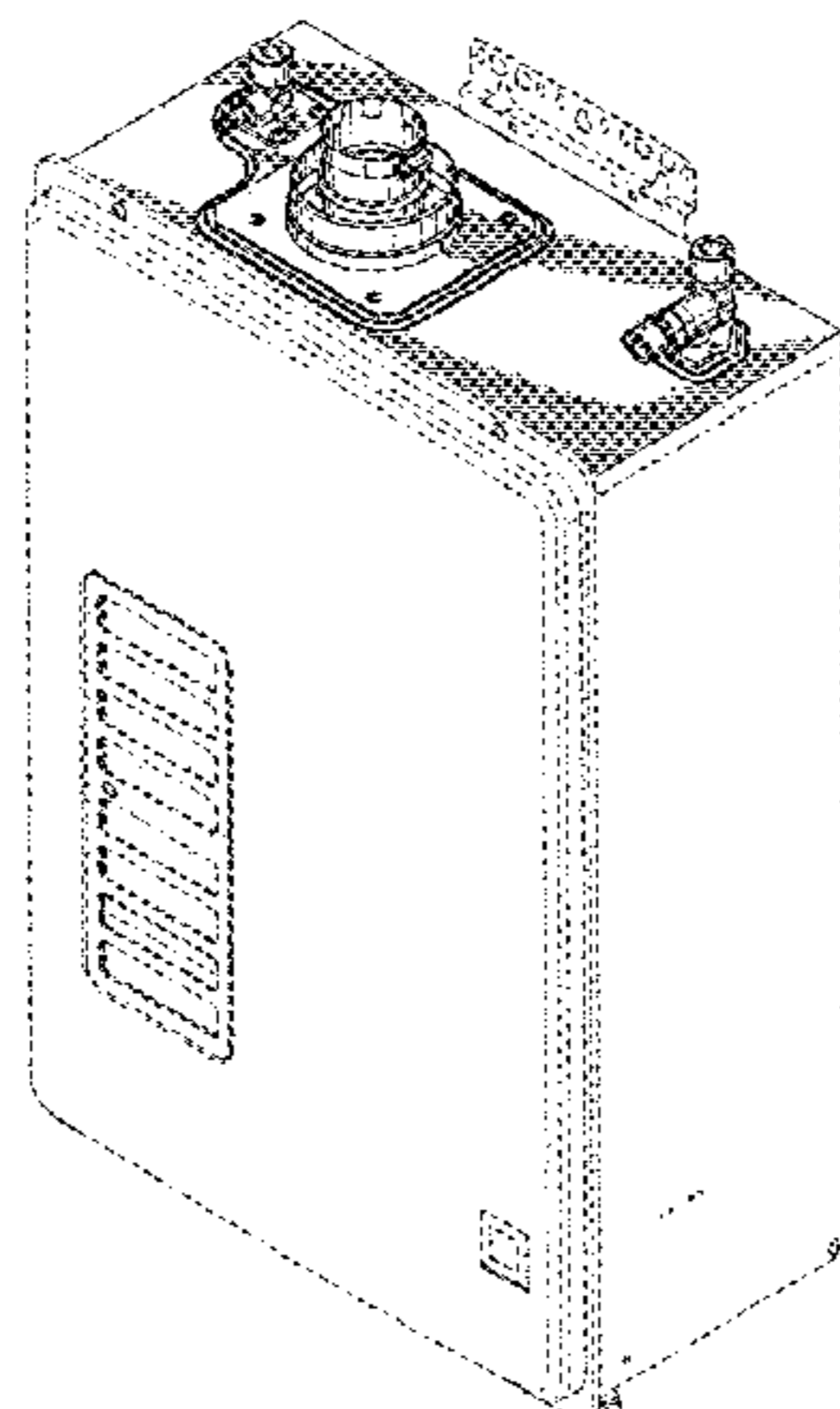


FIG. 24 is a cross sectional view of the portion taken along line 24-24 of FIG. 22 thereof;
 FIG. 25 is a cross sectional view of the portion taken along line 25-25 of FIG. 22 thereof;
 FIG. 26 is a cross sectional view of the portion taken along line 26-26 of FIG. 22 thereof;
 FIG. 27 is a front view of a water heater of an alternative embodiment of the present design illustrating a portion of the present design;
 FIG. 28 is a rear view thereof;
 FIG. 29 is a top plan view thereof;
 FIG. 30 is a bottom plan view thereof;
 FIG. 31 is a right side view thereof;
 FIG. 32 is a left side view thereof;
 FIG. 33 is a perspective view showing front, top plan and right side thereof;
 FIG. 34 is a perspective view showing rear, top plan and left side thereof;
 FIG. 35 is an enlarged front view of the portion 35-35 of FIG. 27 thereof;
 FIG. 36 is a cross sectional view of the portion taken along line 36-36 of FIG. 27 thereof;
 FIG. 37 is a cross sectional view of the portion taken along line 37-37 of FIG. 35 thereof;
 FIG. 38 is a cross sectional view of the portion taken along line 38-38 of FIG. 35 thereof; and,
 FIG. 39 is a cross sectional view of the portion taken along line 39-39 of FIG. 35 thereof.
 The broken lines shown in the drawings represent portions of the water heater that form no part of the claimed design of FIGS. 1-39. The long dashed and short dashed lines

indicate only boundaries between the portions sought to receive design patent protection as a partial design and the other portions.

1 Claim, 30 Drawing Sheets

(58) **Field of Classification Search**

CPC F24H 9/06; F24H 9/2035; F24H 1/125;
 F24H 1/145; F24H 1/186; F24H 9/124;
 F24H 9/2078; F24H 9/2007; F24H 1/08;
 F24H 1/10; F24H 1/12; F24H 1/18; F24H
 1/22; F24H 1/50; F24H 1/182; F24H
 9/2028; F24H 1/48; F24H 1/52

See application file for complete search history.

(56) **References Cited**

U.S. PATENT DOCUMENTS

D483,453	S	12/2003	Yamamoto et al.	
D483,844	S	12/2003	Yamamoto et al.	
D532,498	S *	11/2006	Maegawa	D23/318
D533,928	S *	12/2006	Maegawa	D23/318
D570,973	S *	6/2008	Nanbu	D23/318
D570,974	S *	6/2008	Nanbu	D23/318
D570,976	S	6/2008	Nanbu et al.	
D612,925	S	3/2010	Kameyama et al.	
D703,299	S *	4/2014	Choi	D23/319
2008/0107410	A1	5/2008	White	
2012/0079995	A1 *	4/2012	Jacques	F24H 9/148 122/19.2
2015/0110479	A1	4/2015	Wu	
2016/0377348	A1	12/2016	Fujisawa et al.	
2018/0058720	A1 *	3/2018	Ando	F24H 9/06

* cited by examiner

FIG. 1

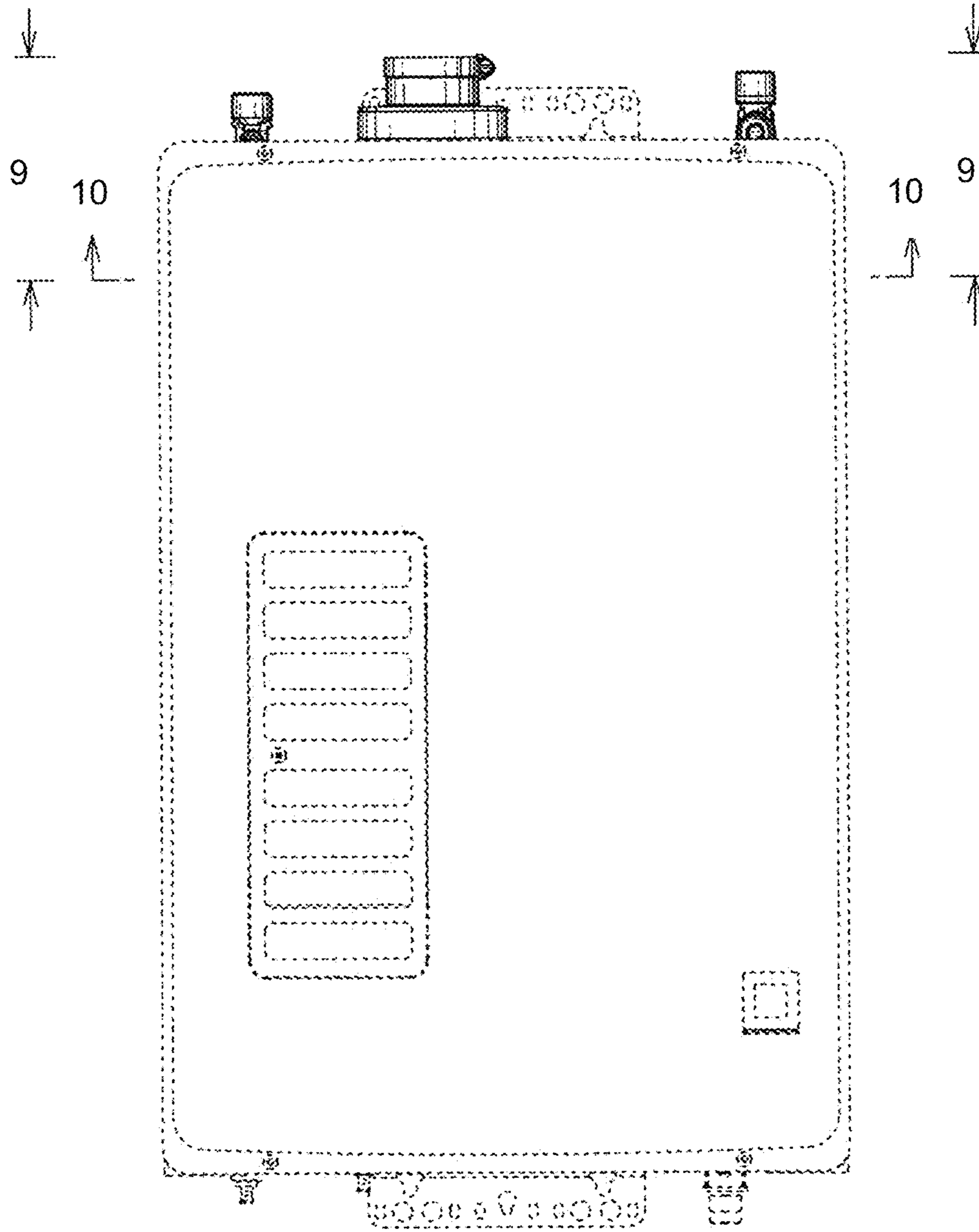


FIG. 2

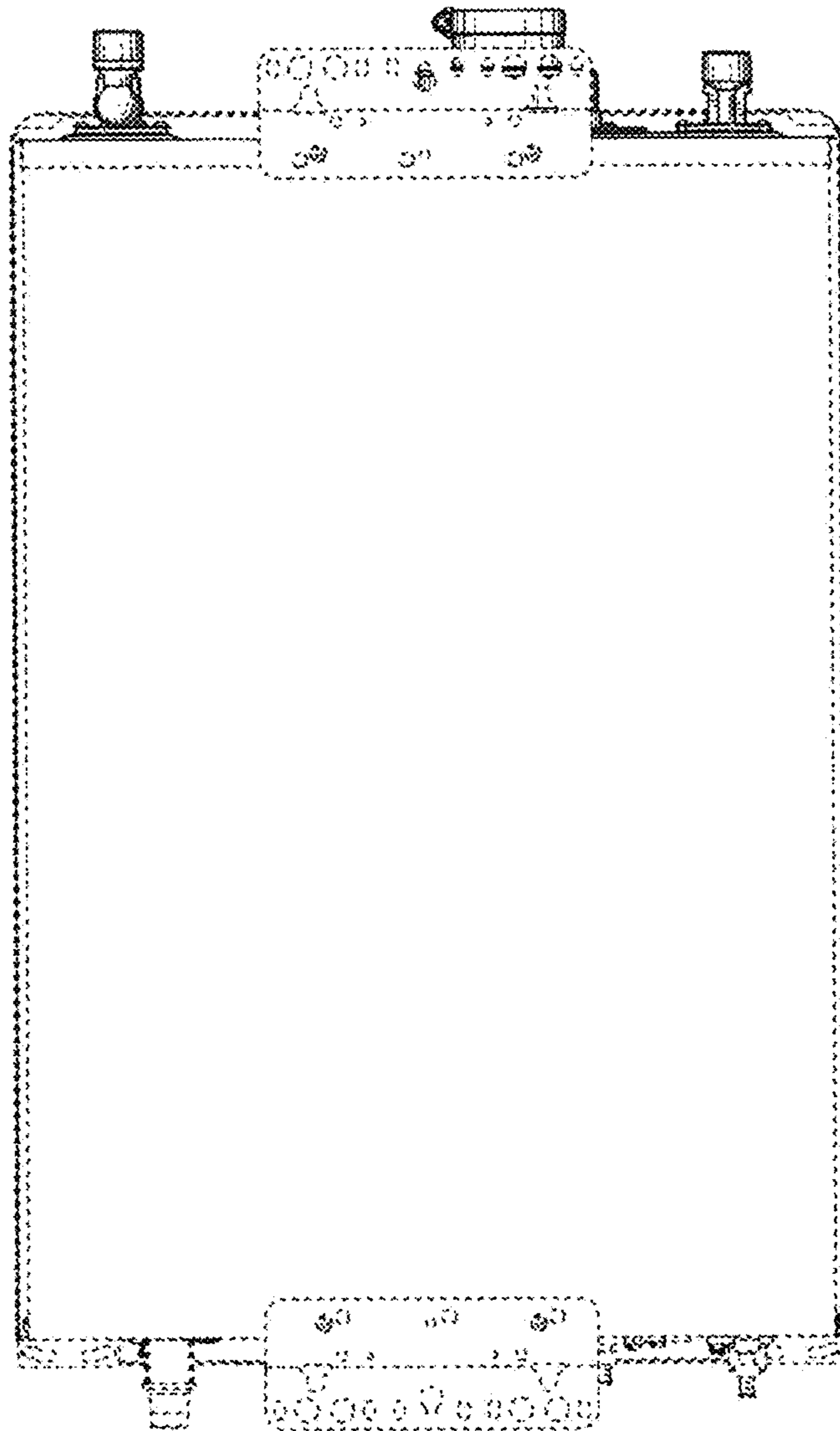


FIG. 3

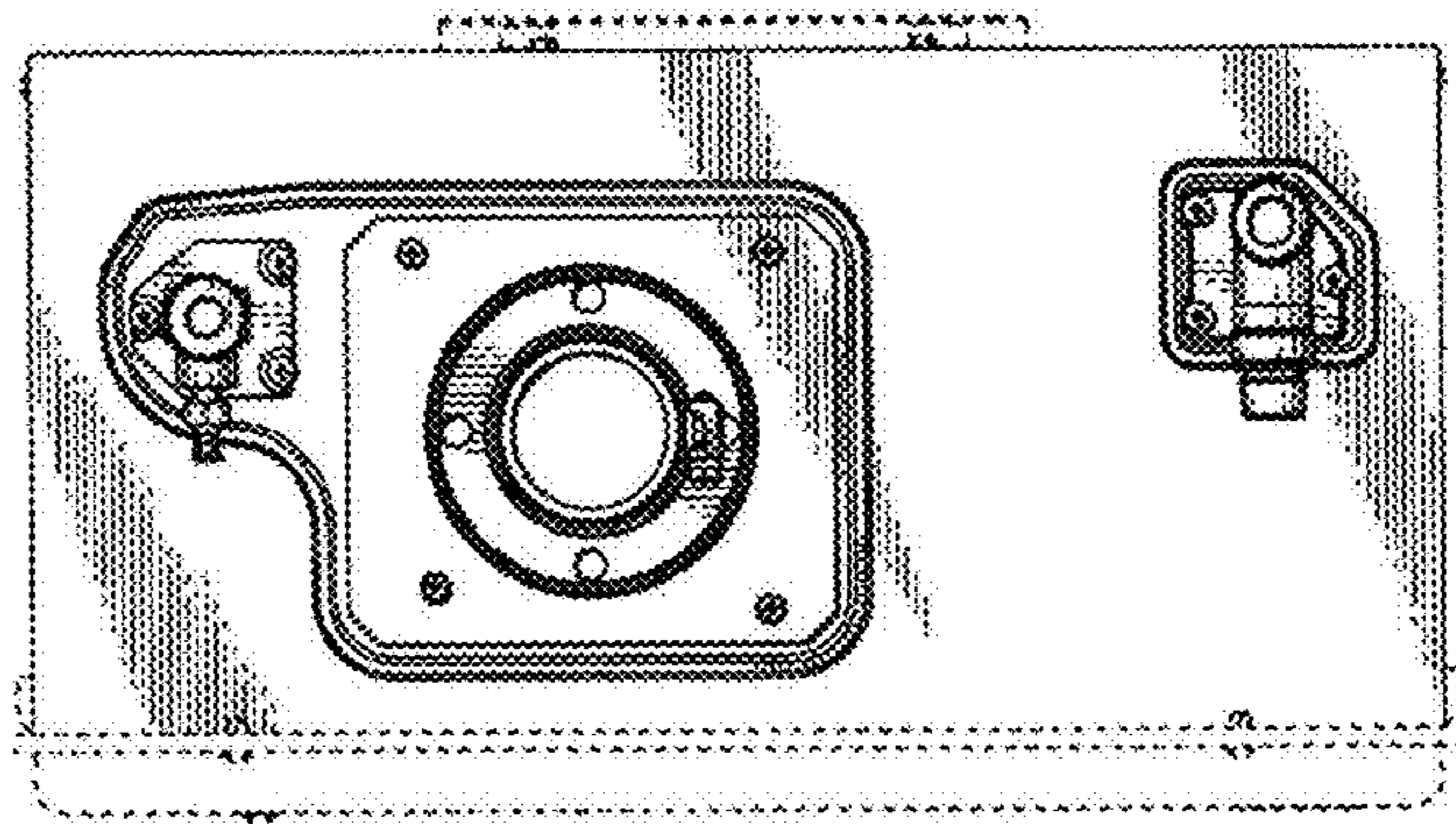


FIG. 4

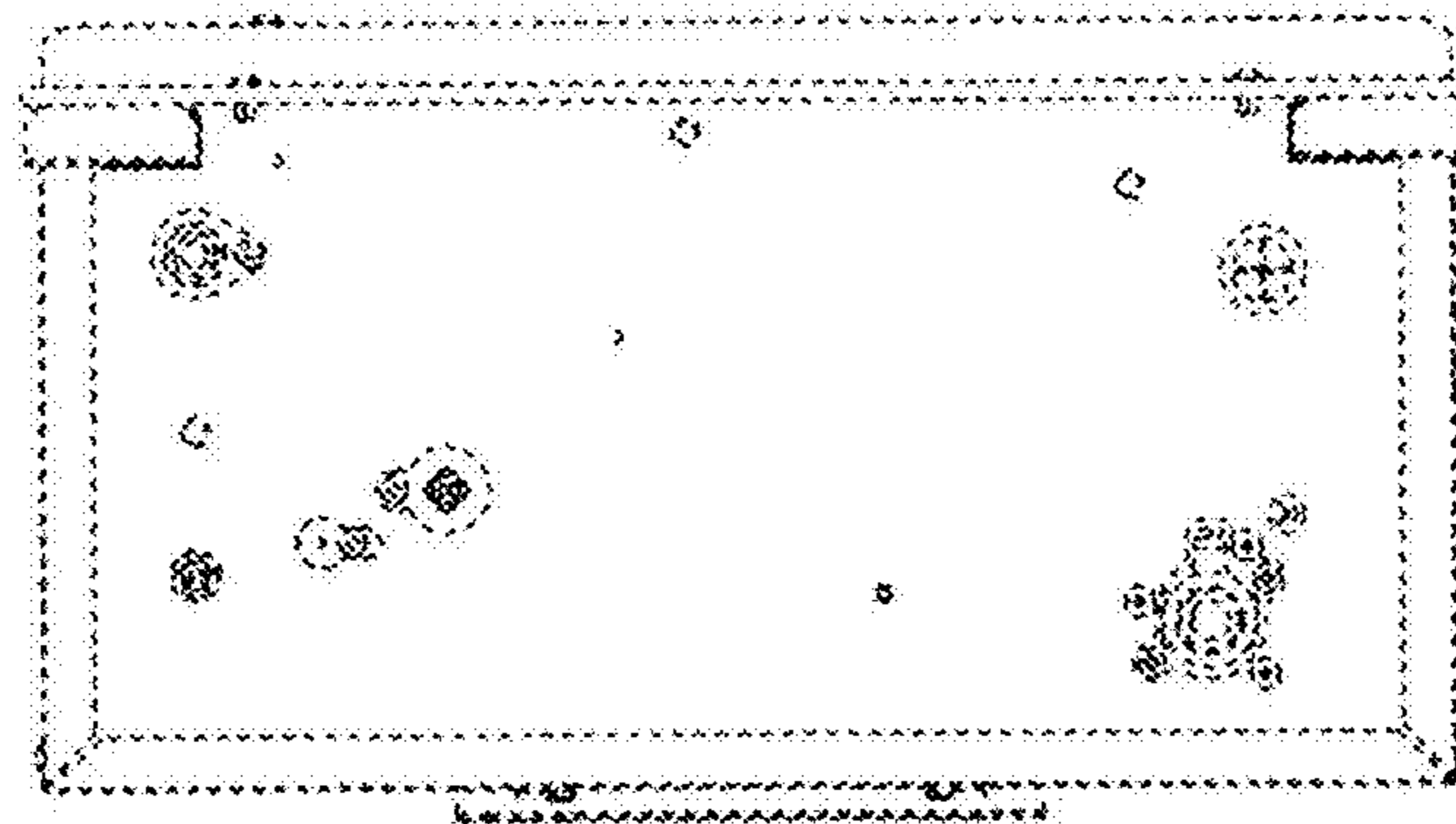


FIG. 5

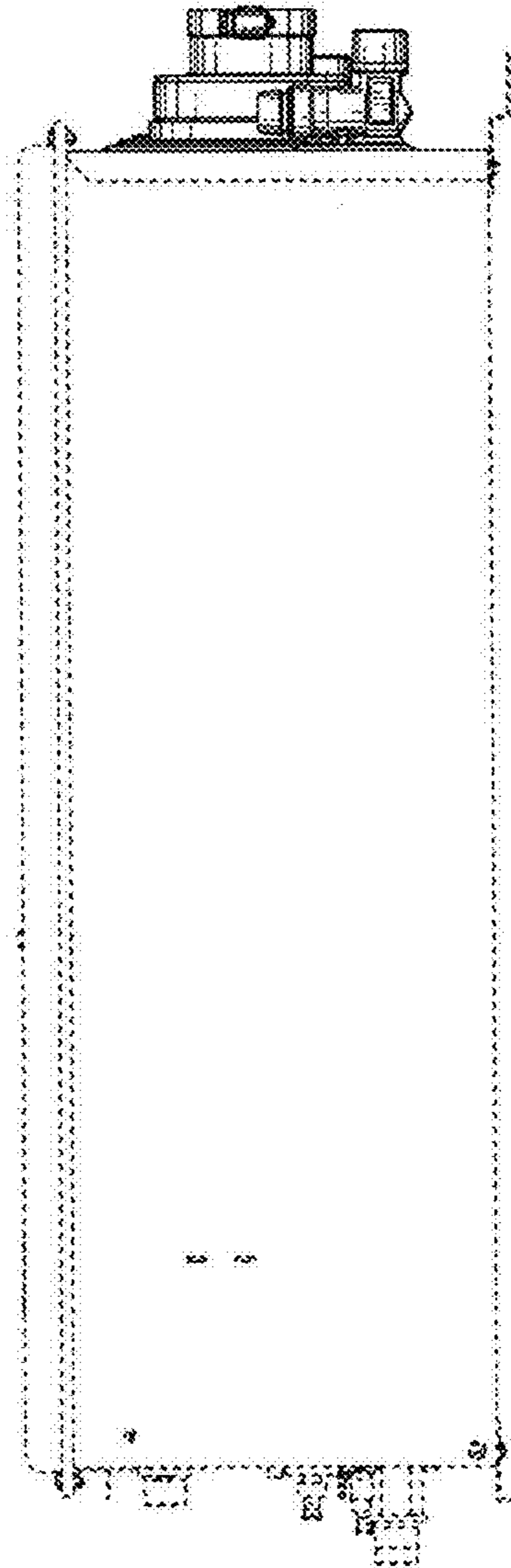


FIG. 6

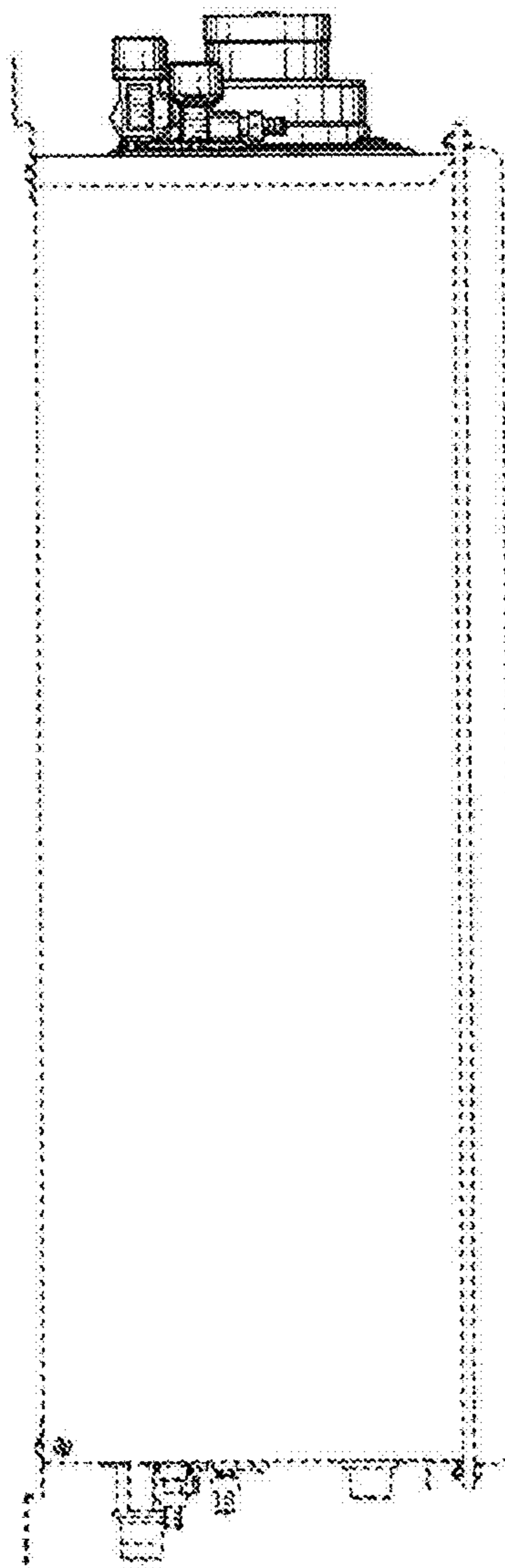


FIG. 7

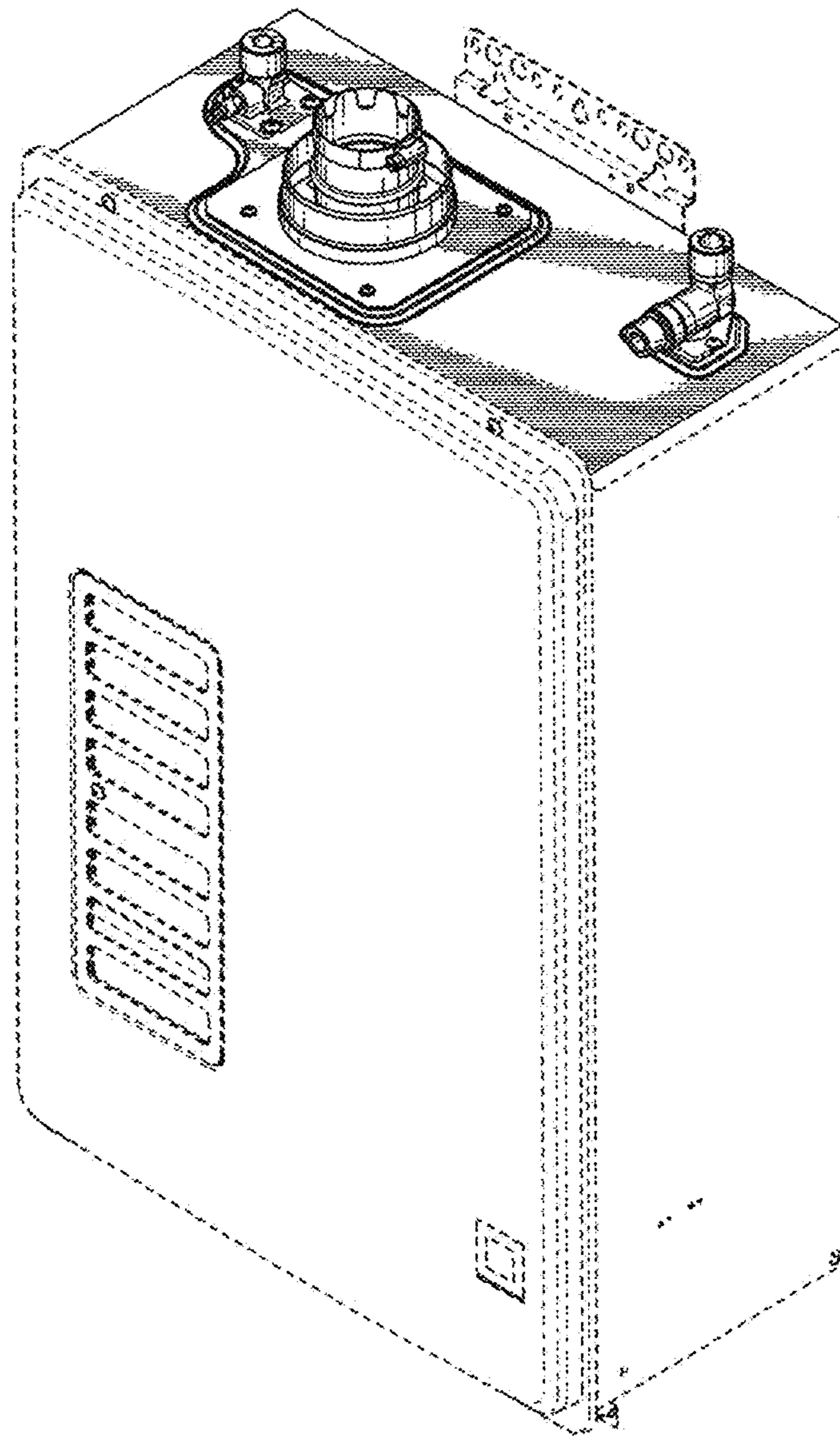


FIG. 8

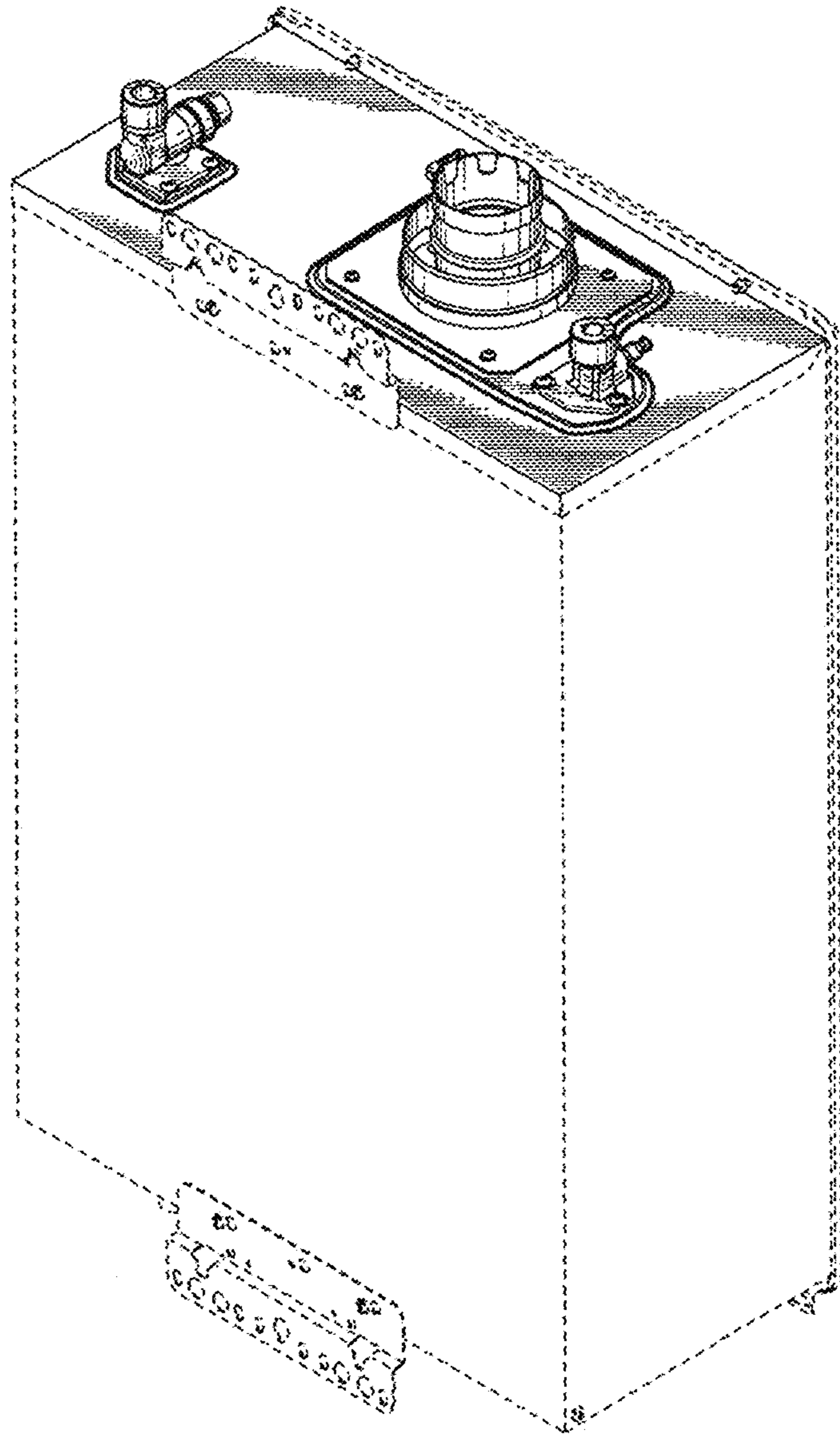


FIG. 9

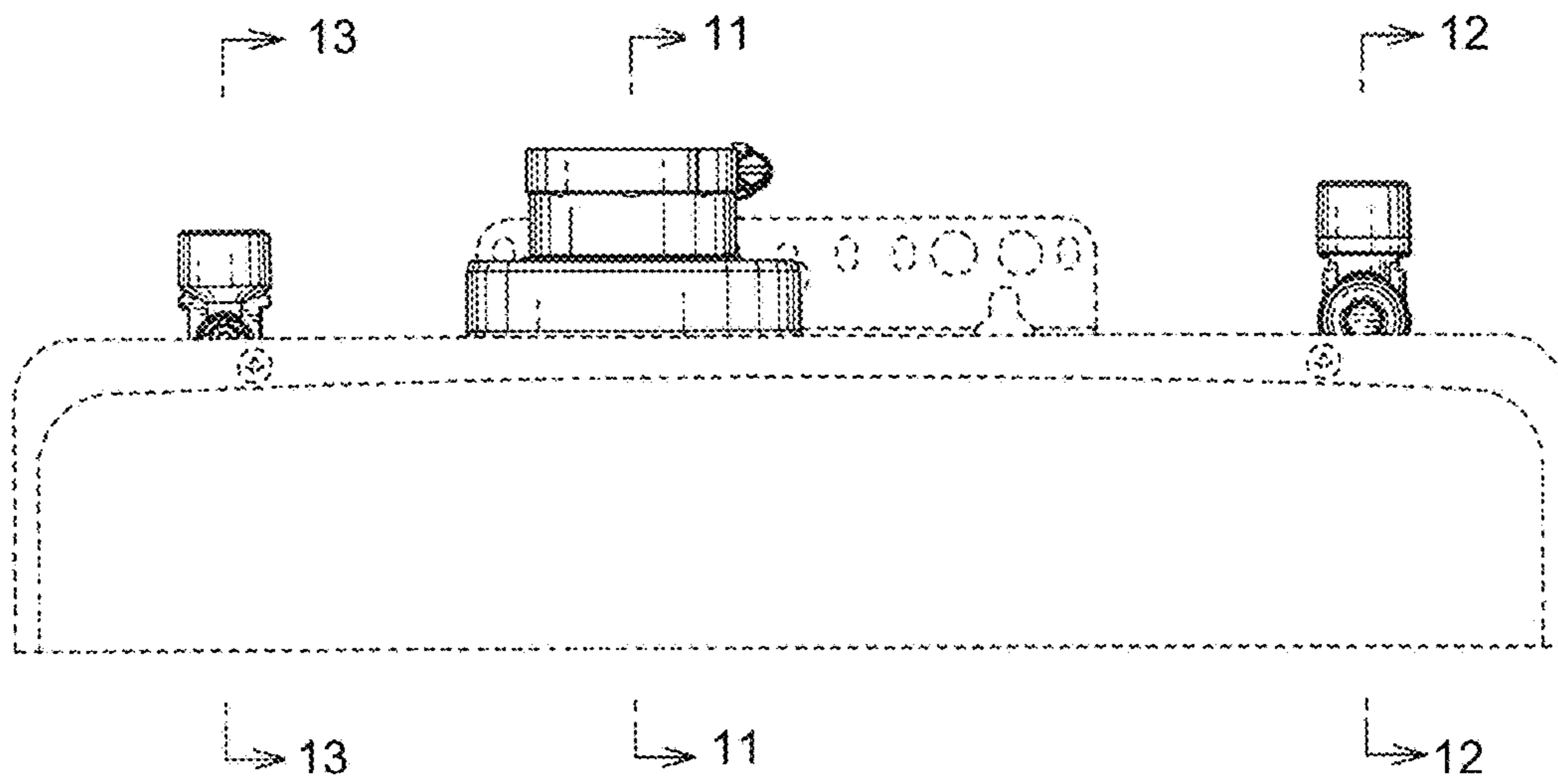


FIG. 10

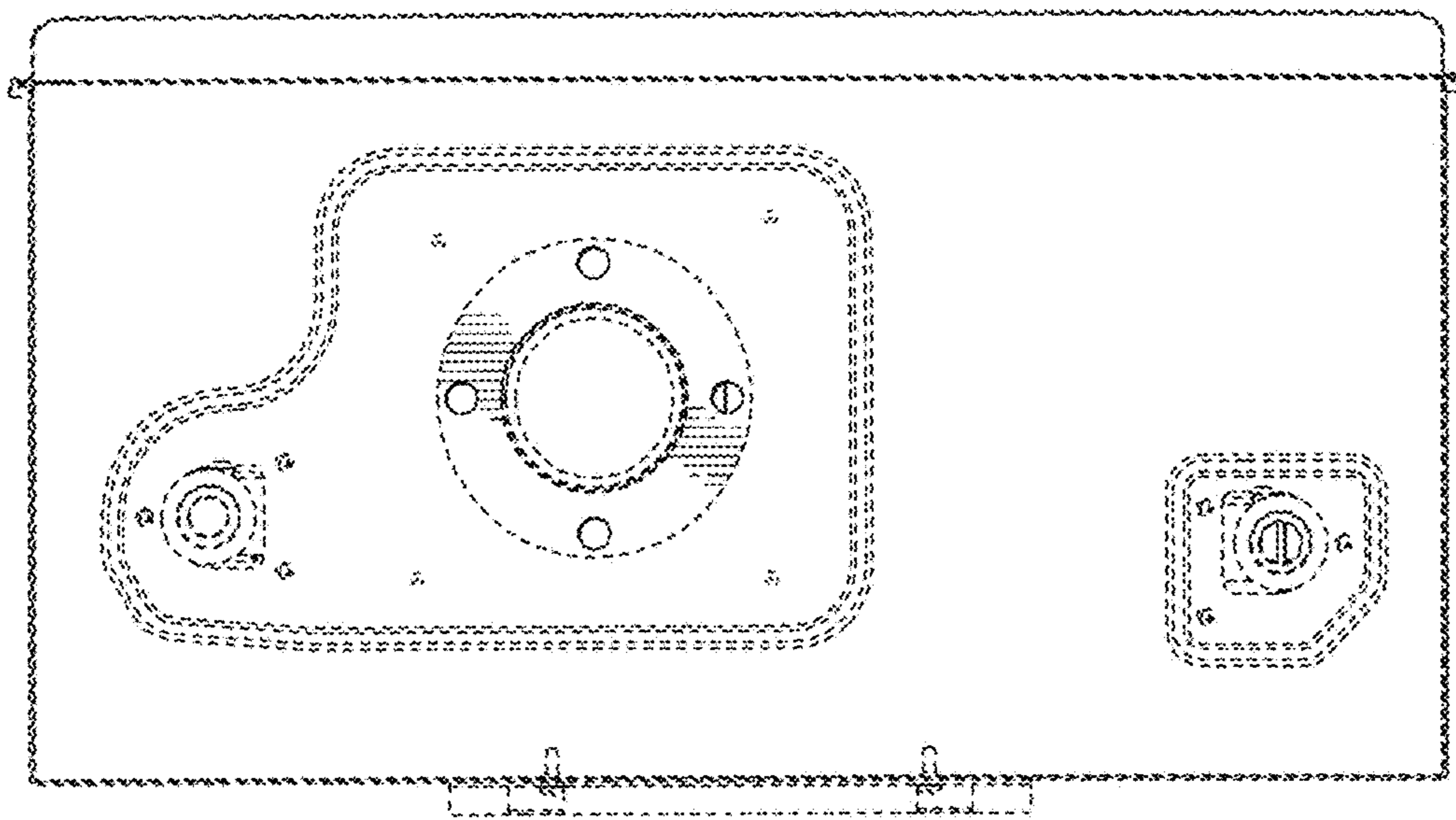


FIG. 11

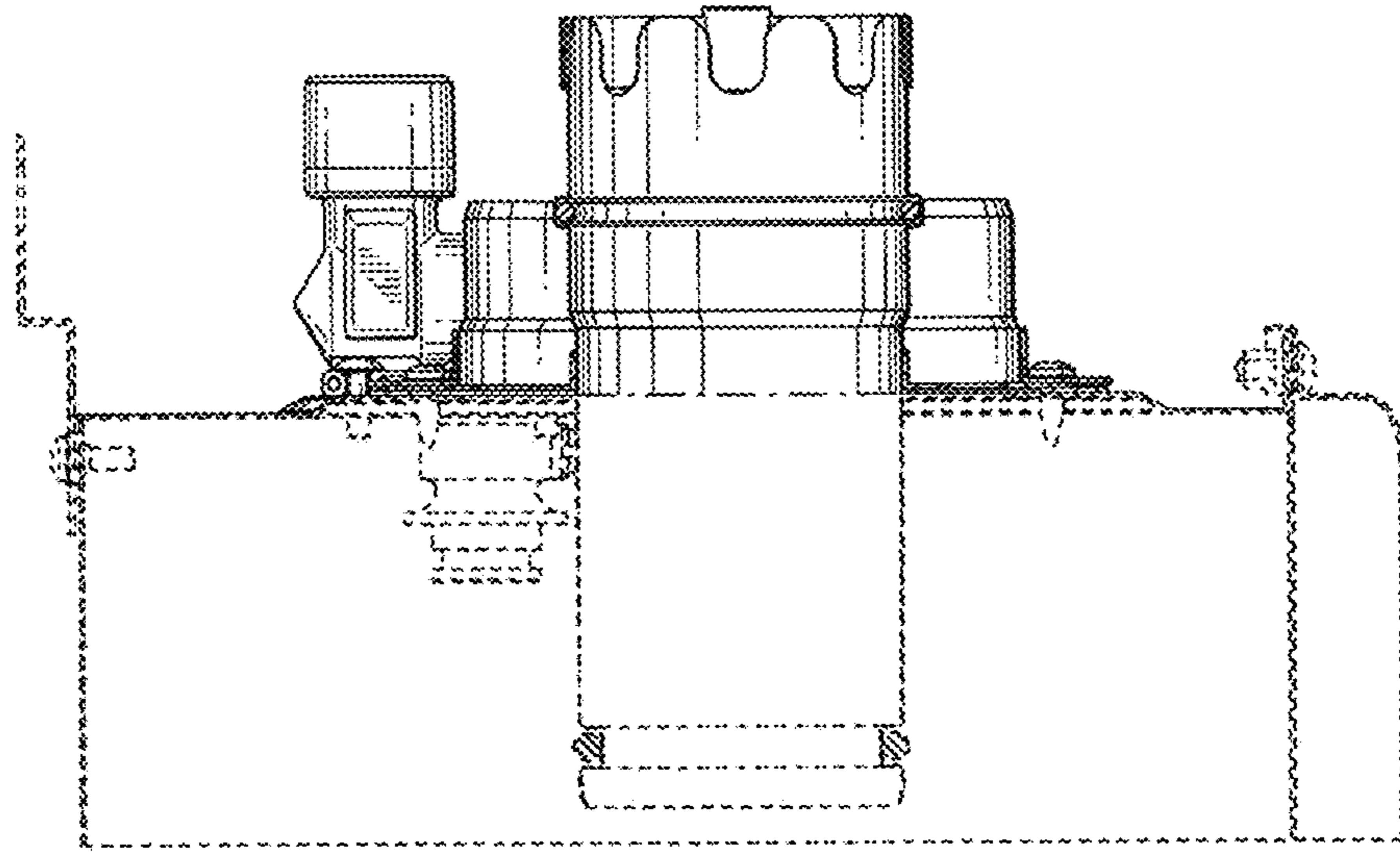


FIG. 12

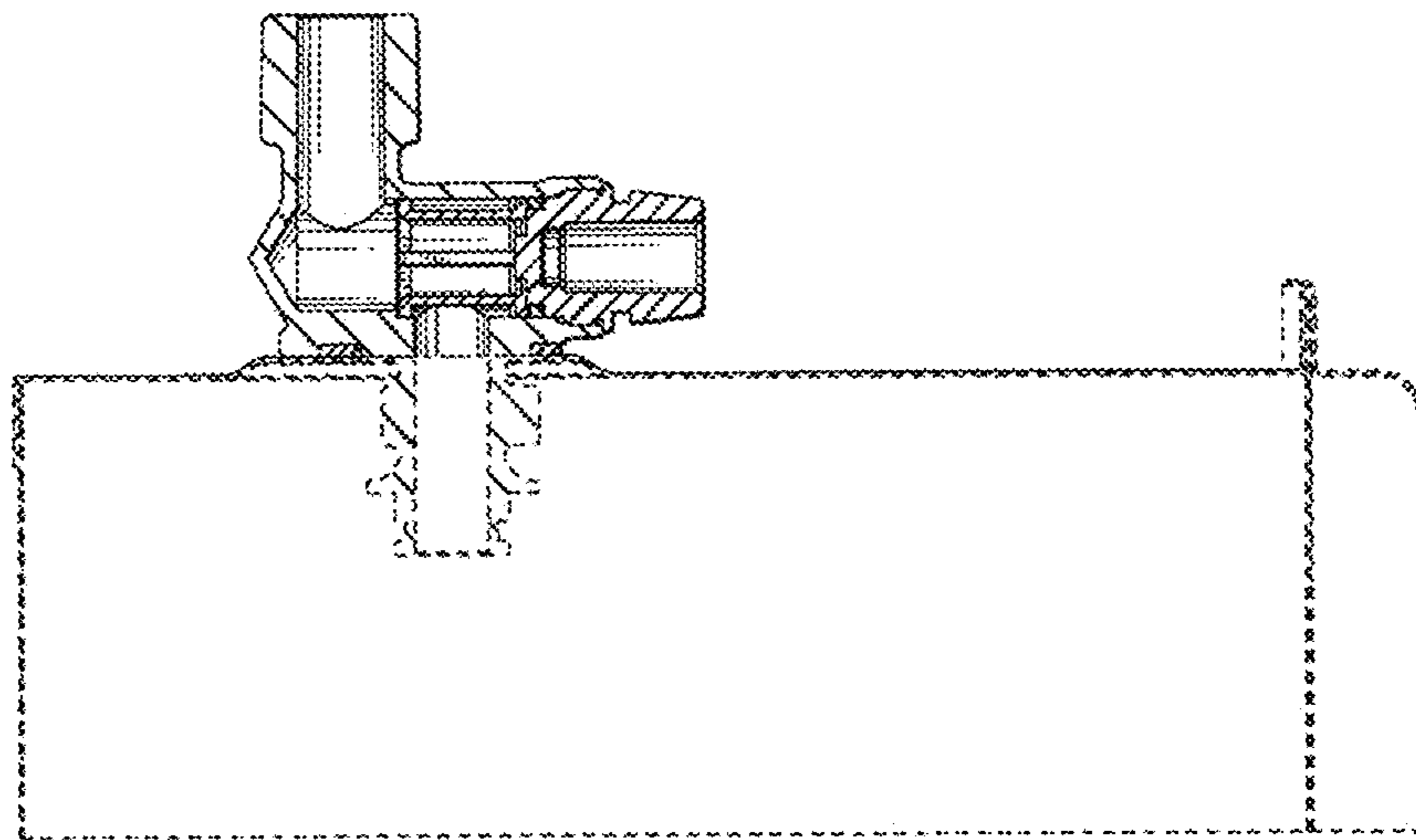


FIG. 13

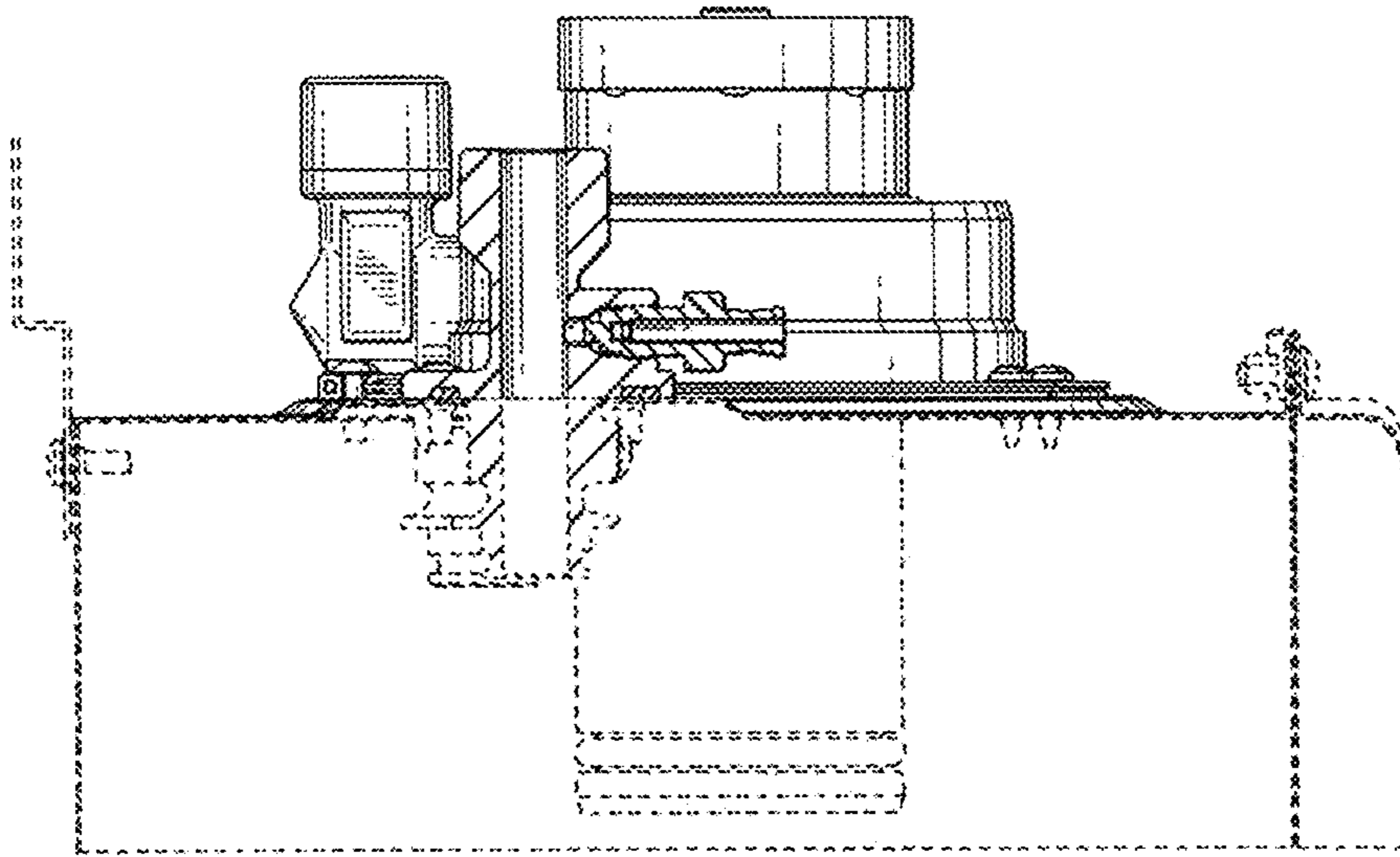


FIG. 14

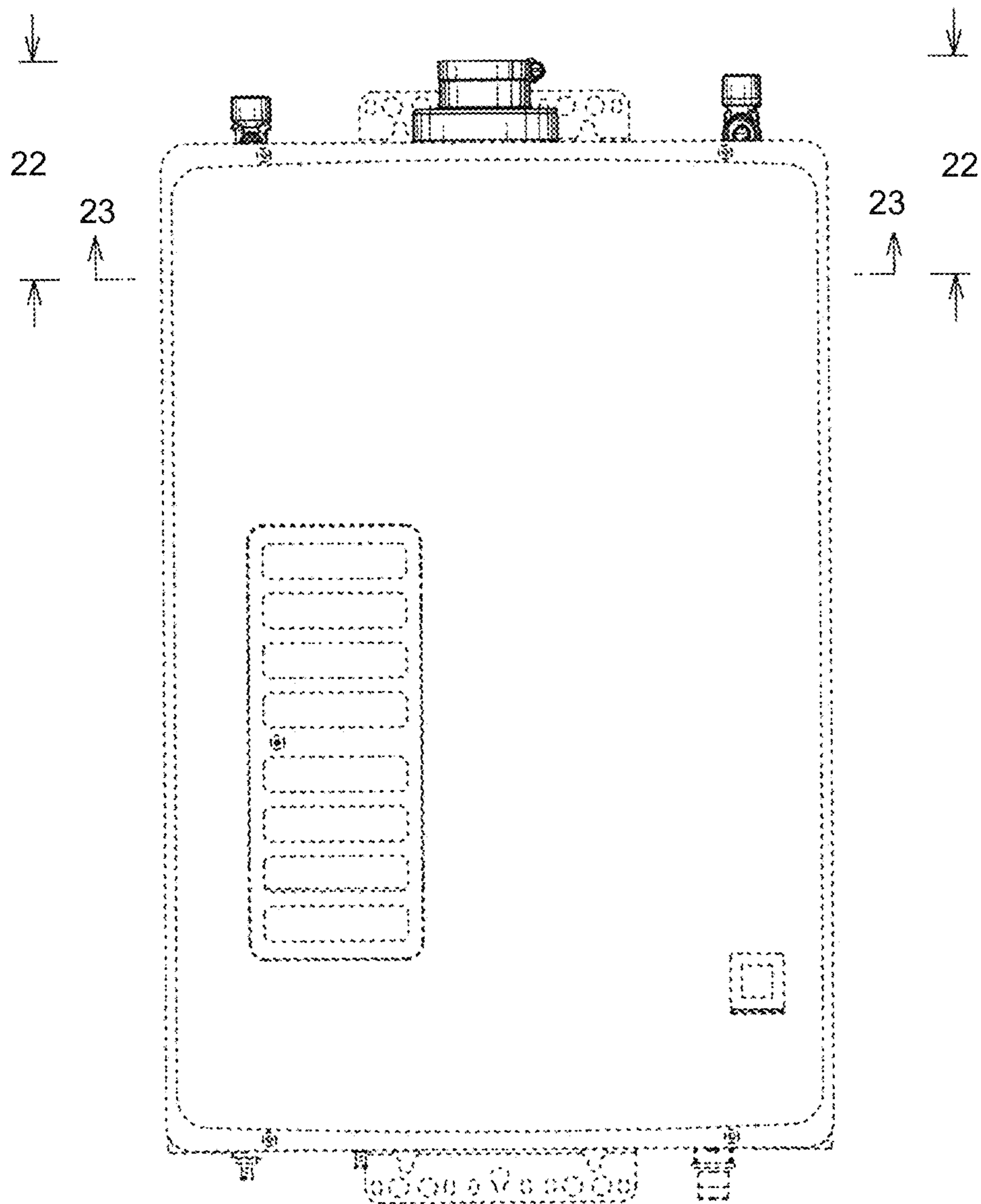


FIG. 15

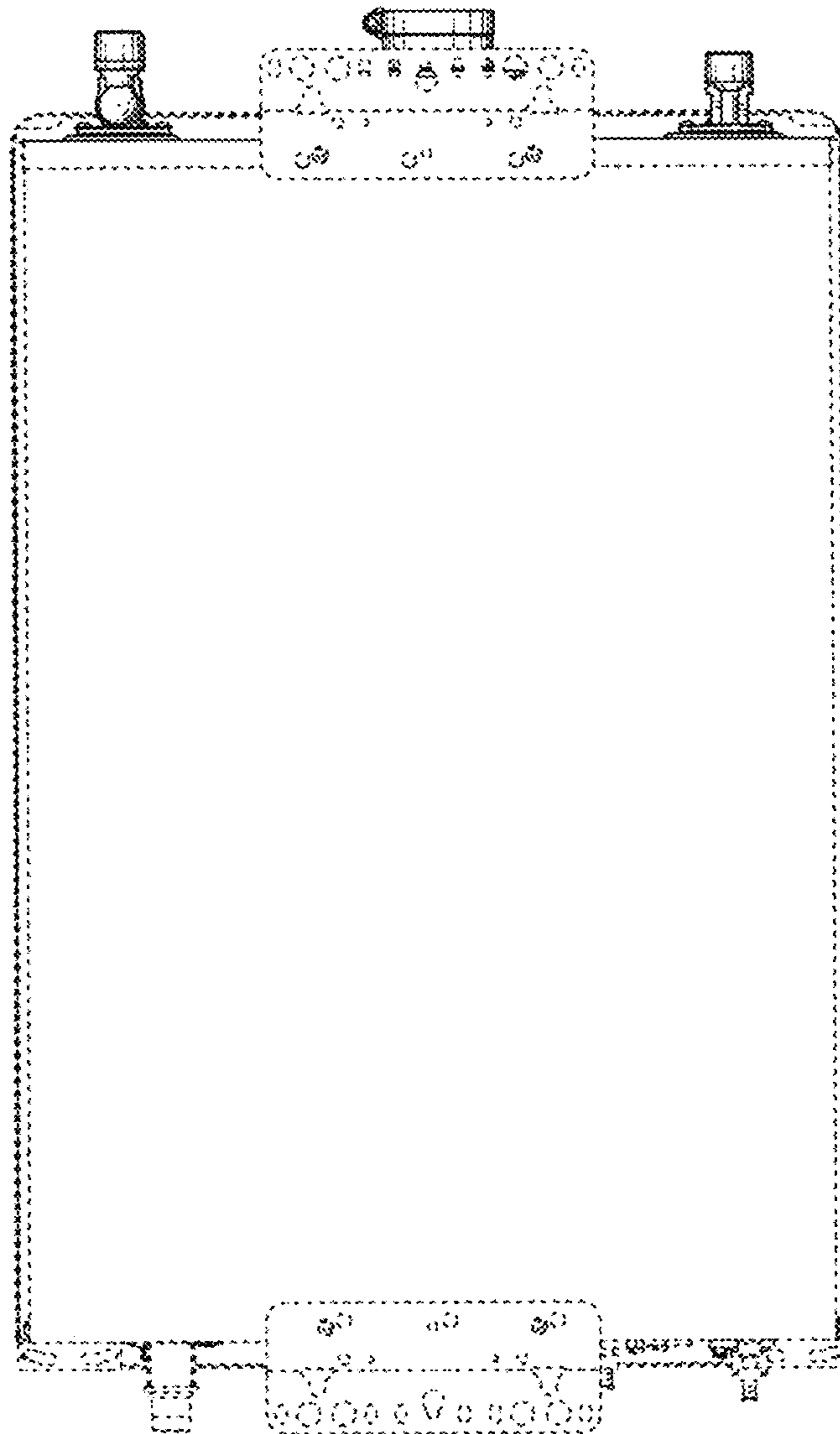


FIG. 16

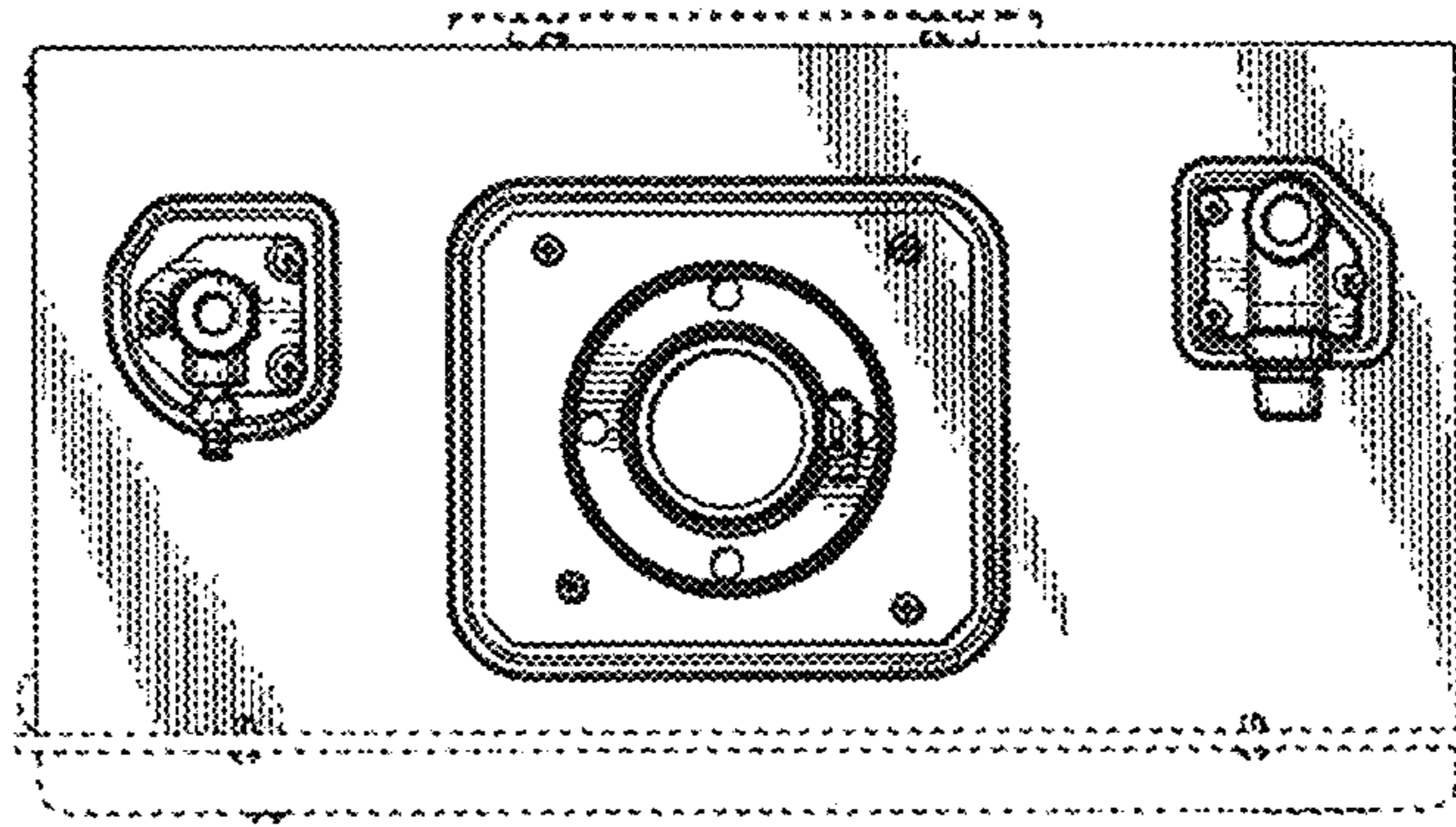


FIG. 17

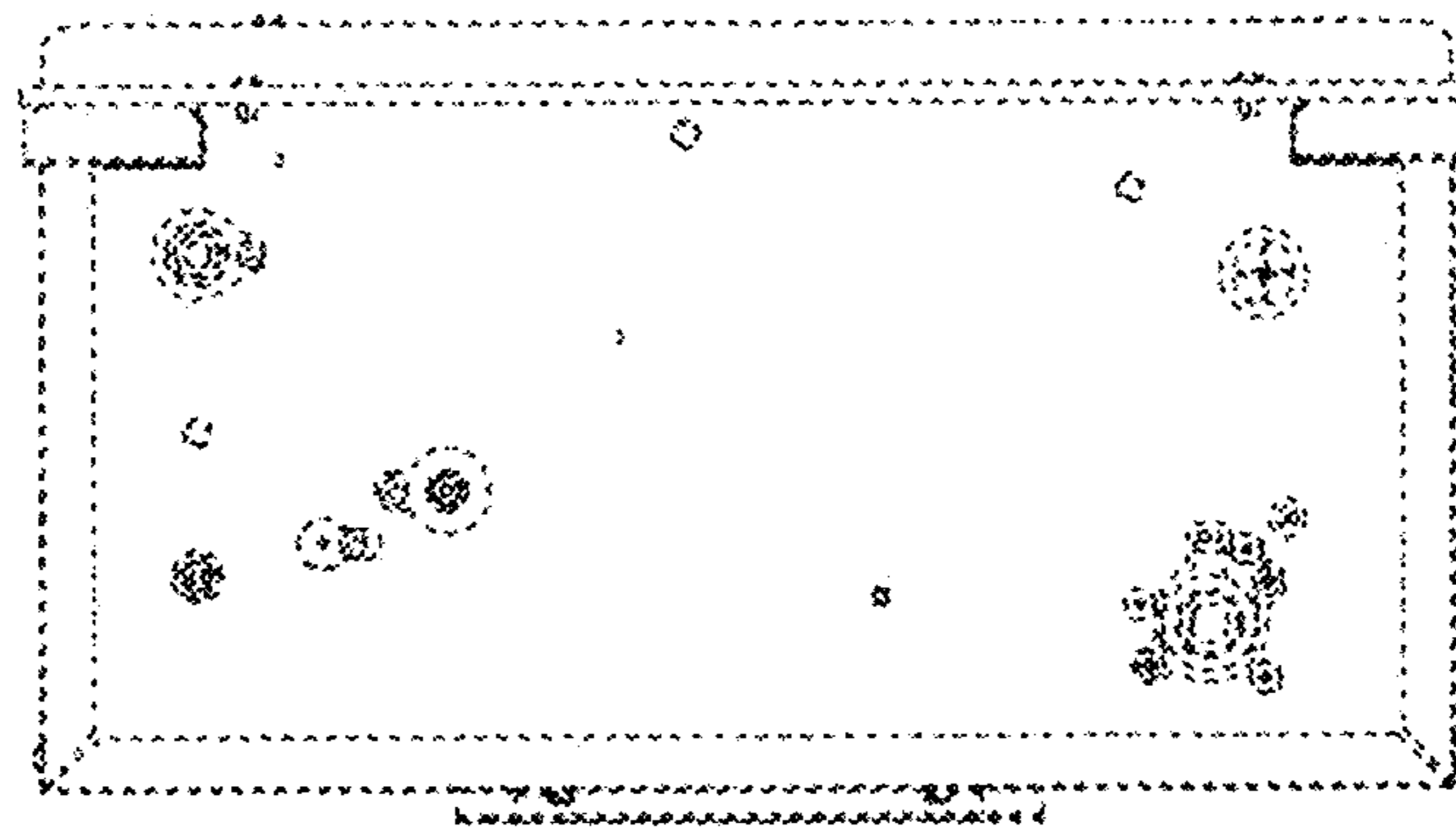


FIG. 18

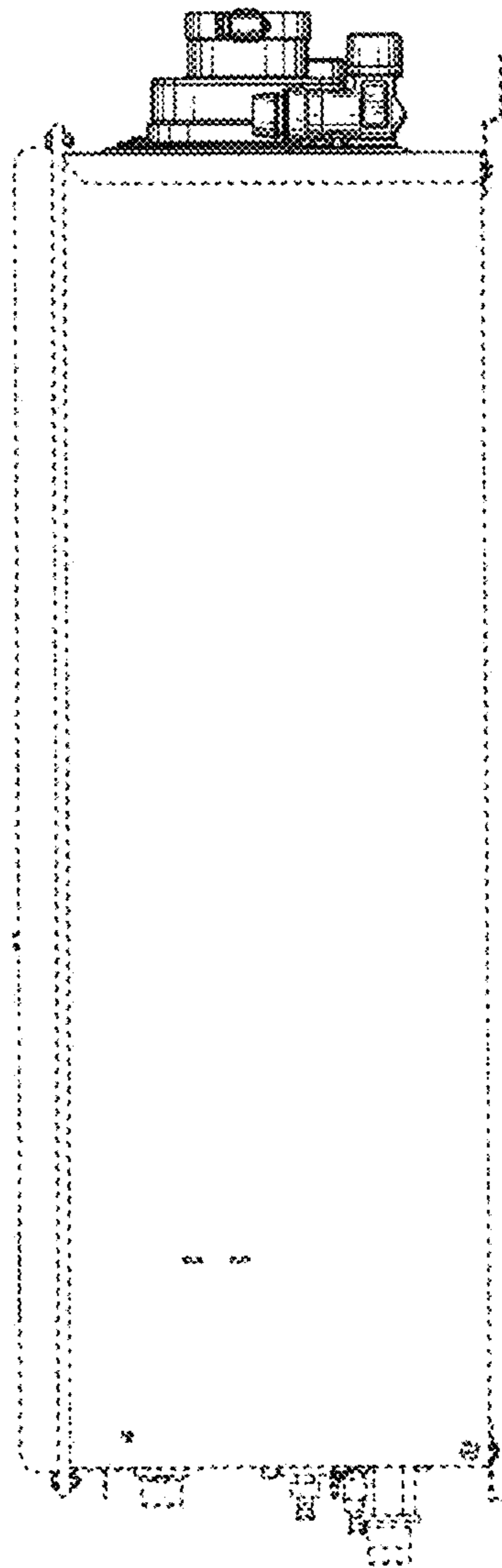


FIG. 19

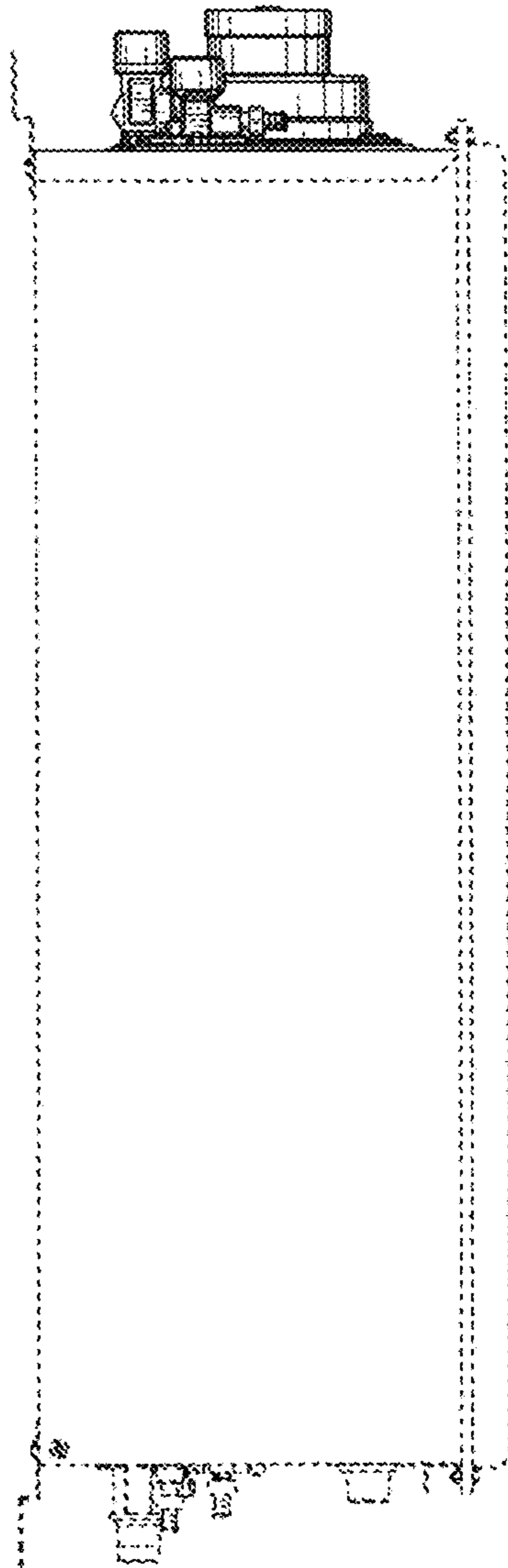


FIG. 20

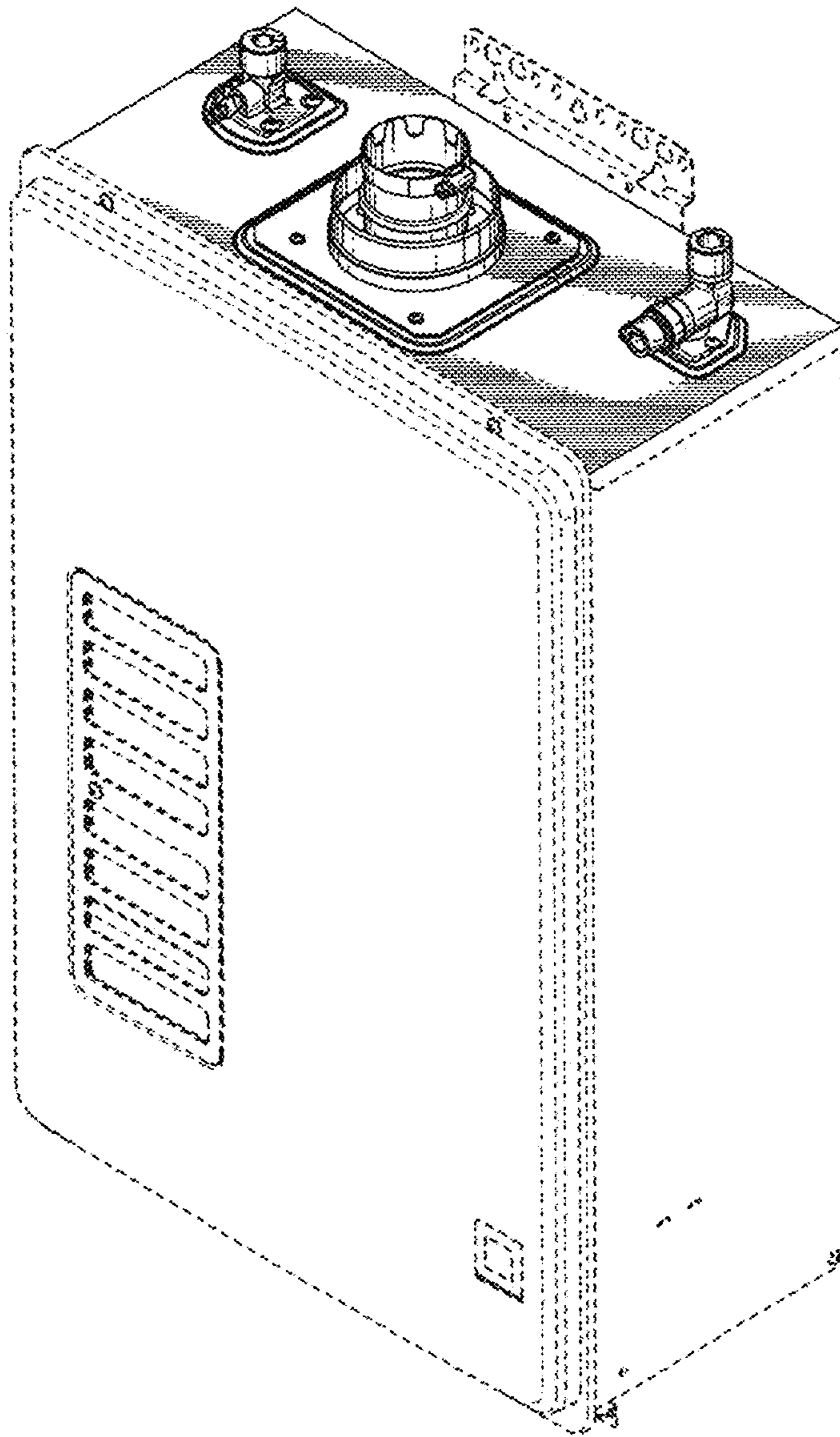


FIG. 21

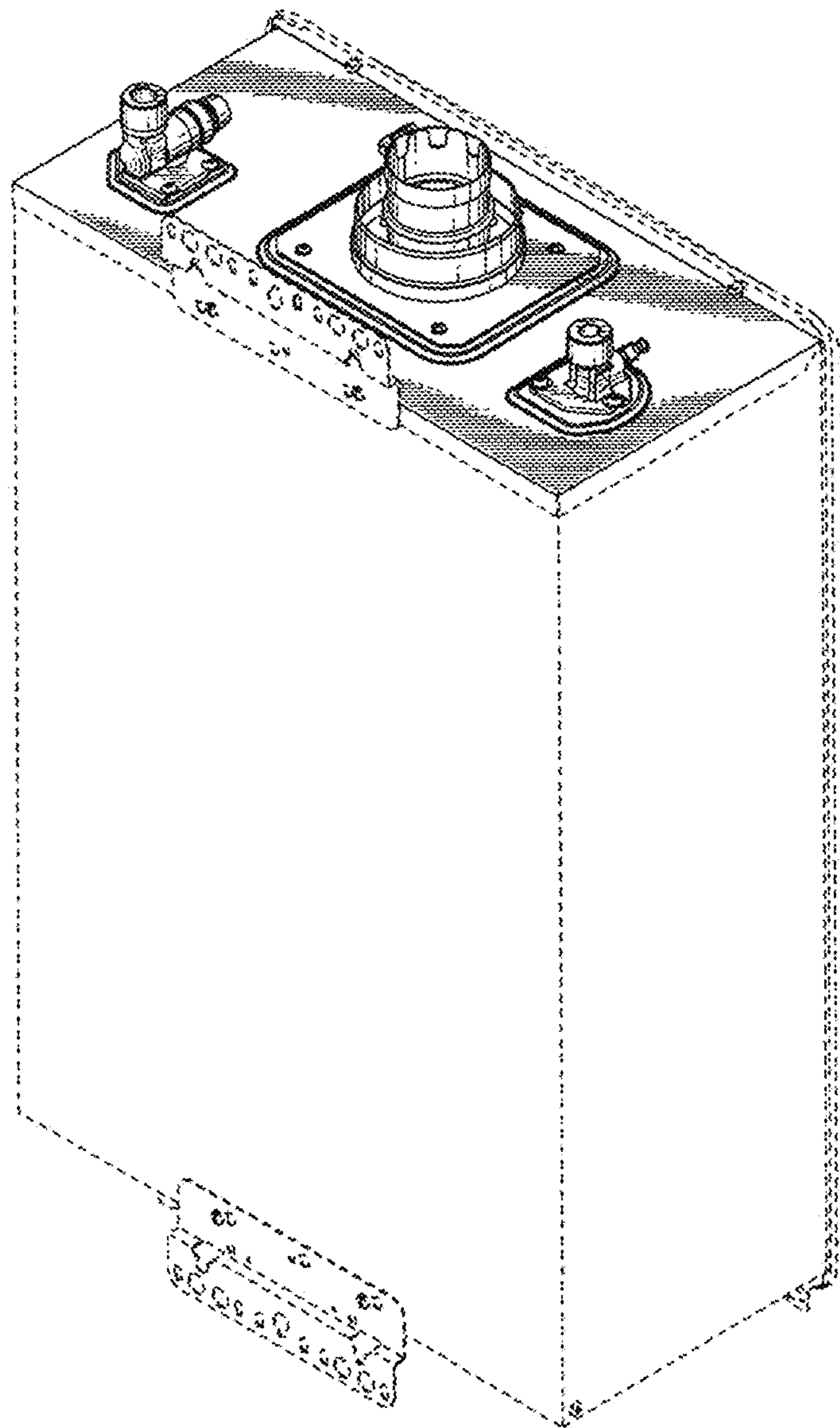


FIG. 22

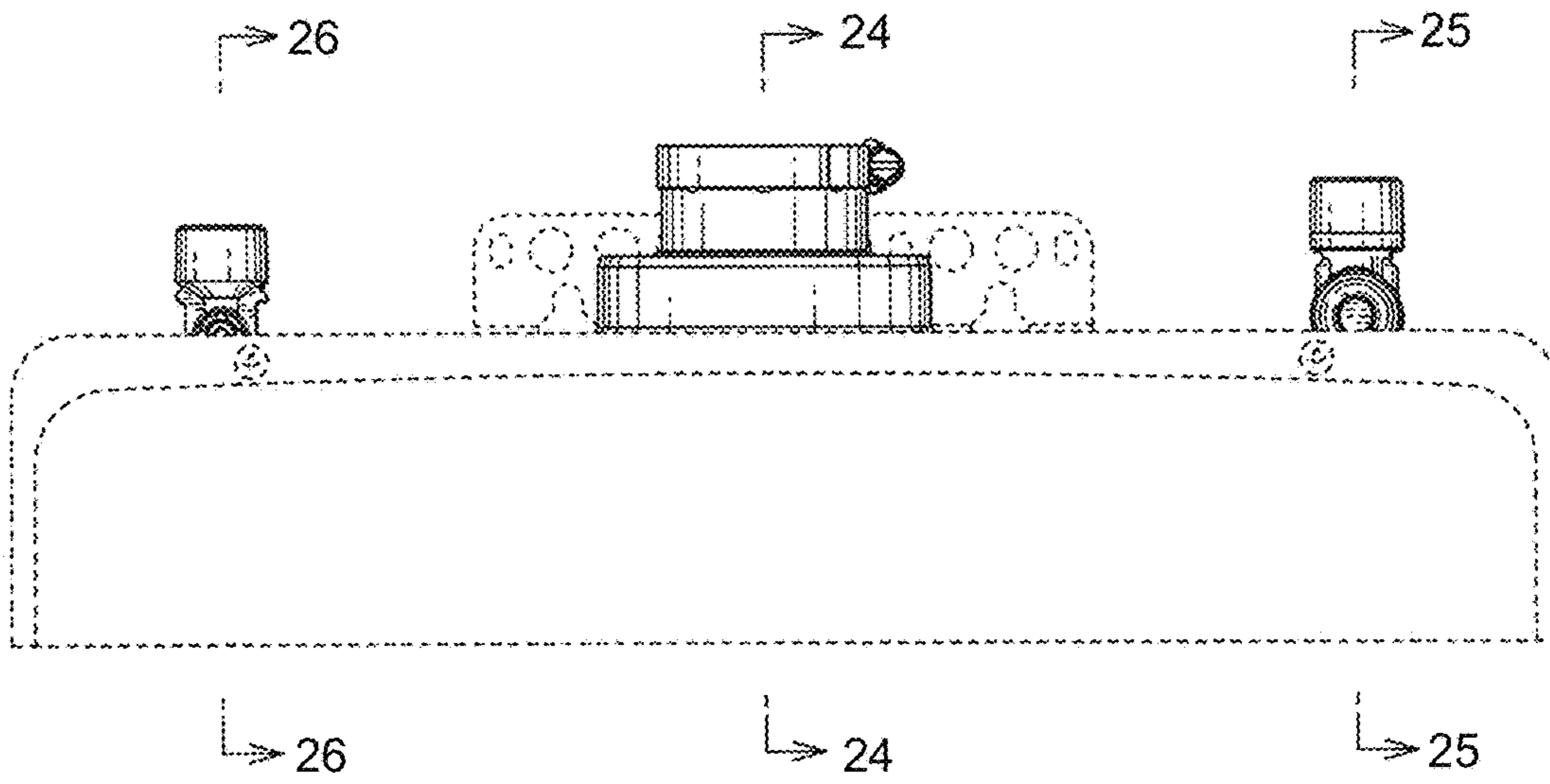


FIG. 23

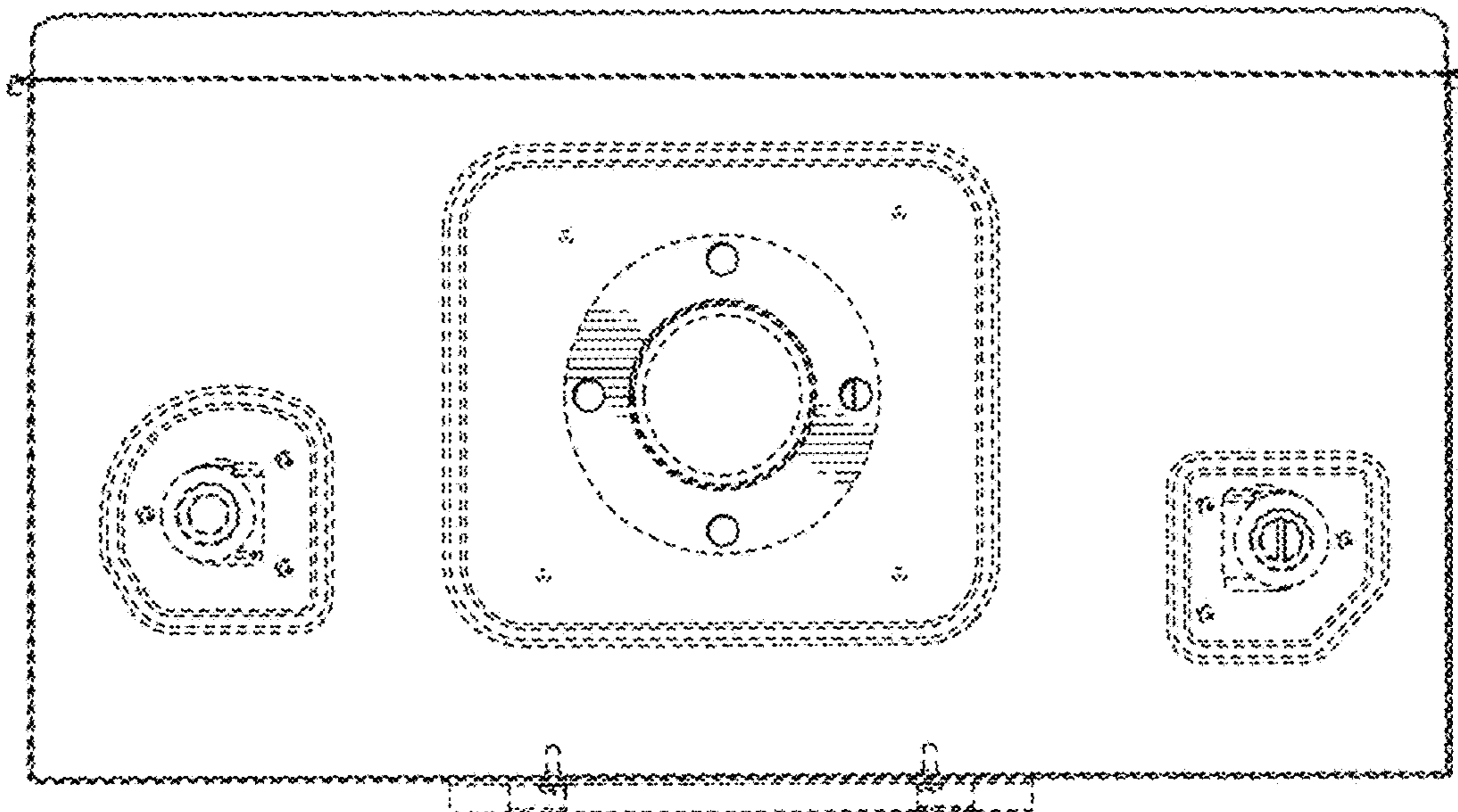


FIG. 24

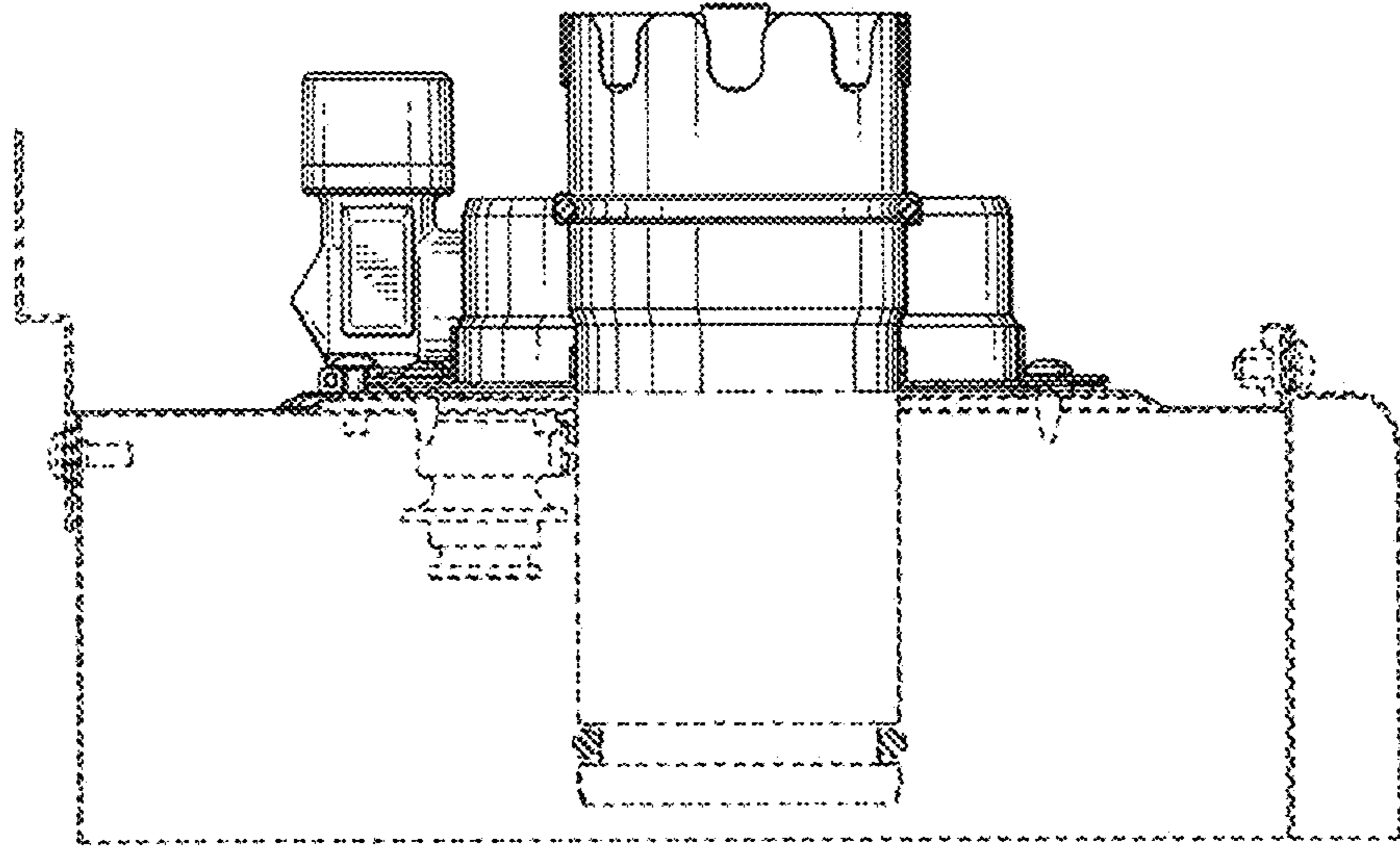


FIG. 25

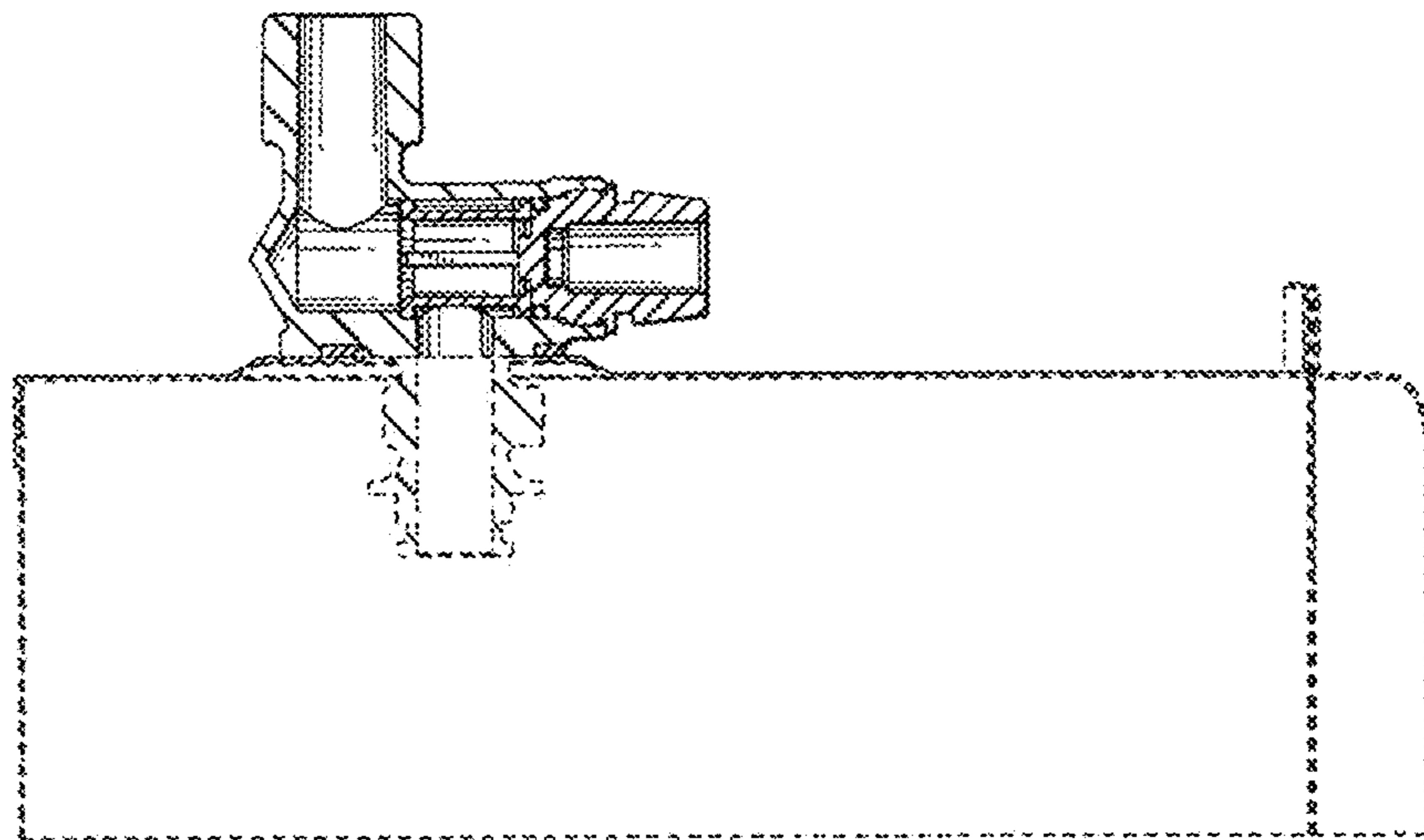


FIG. 26

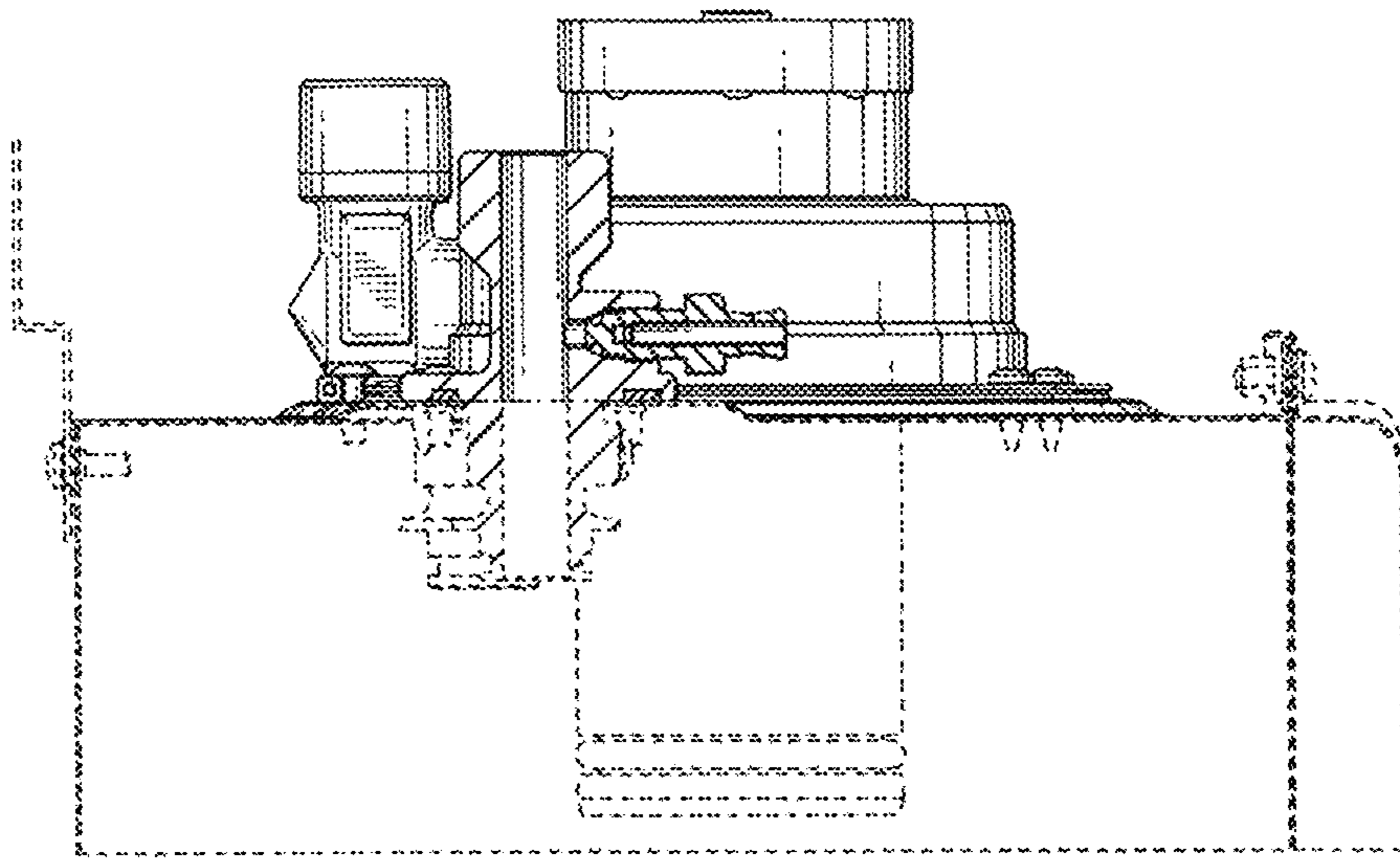


FIG. 27

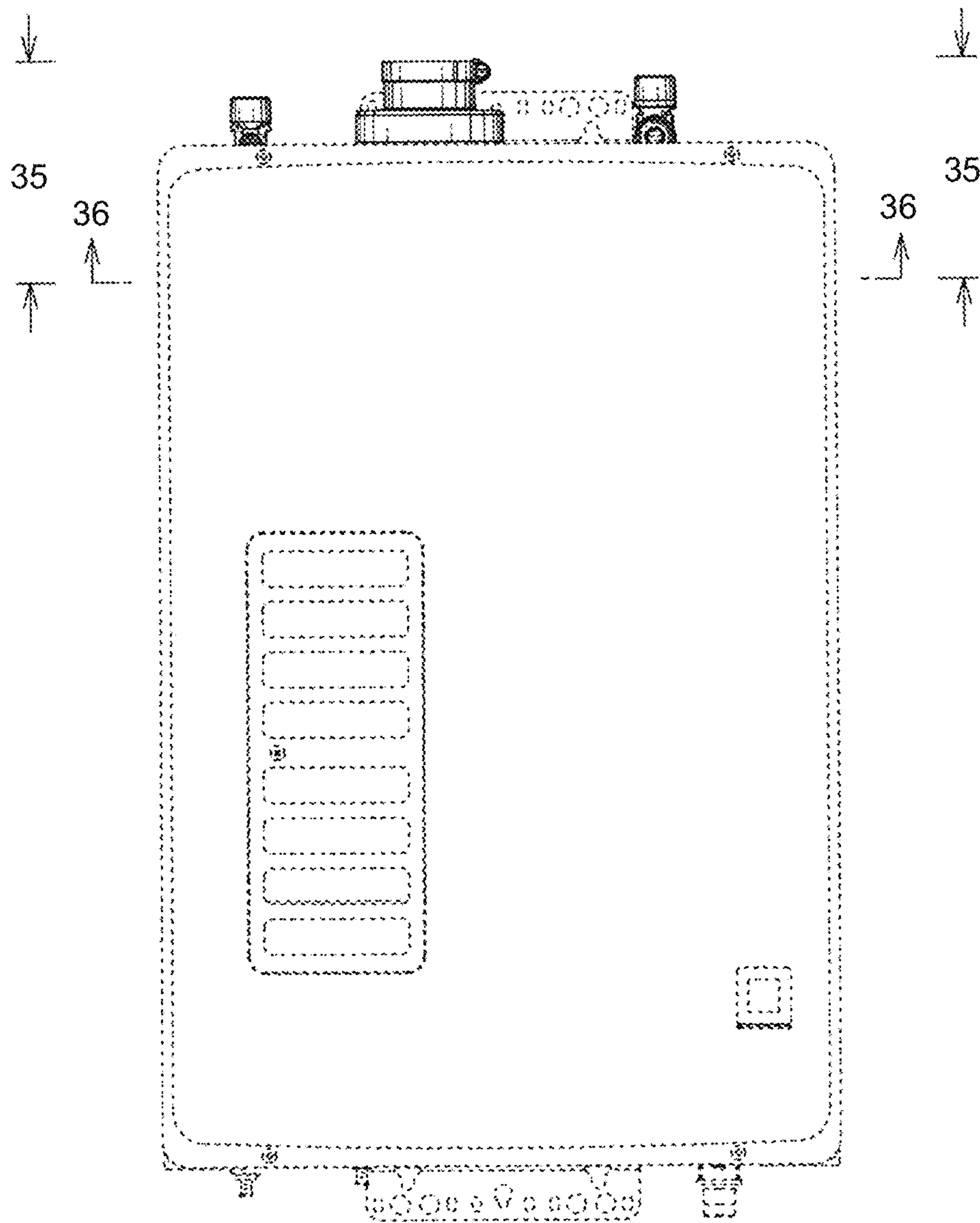


FIG. 28

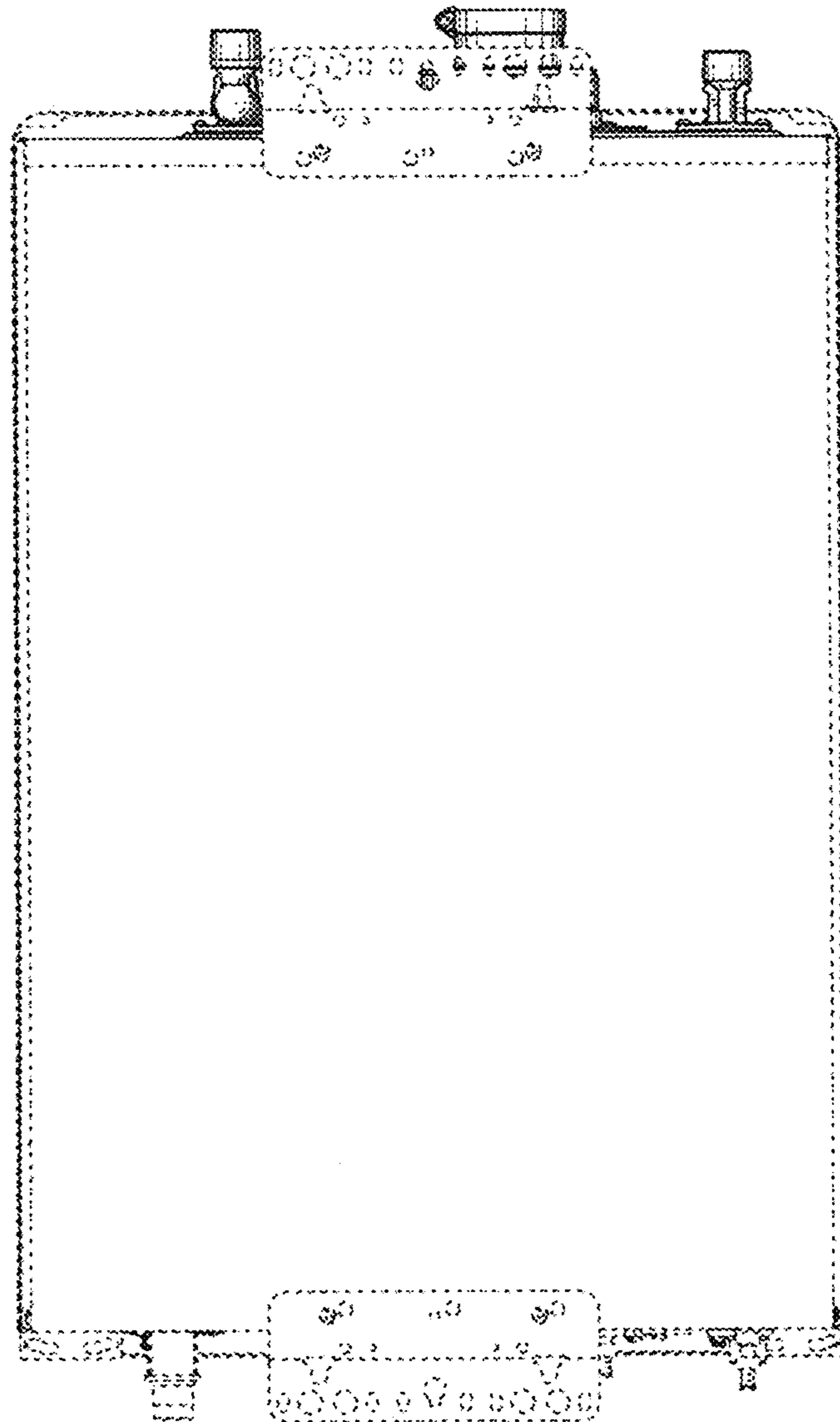


FIG. 29

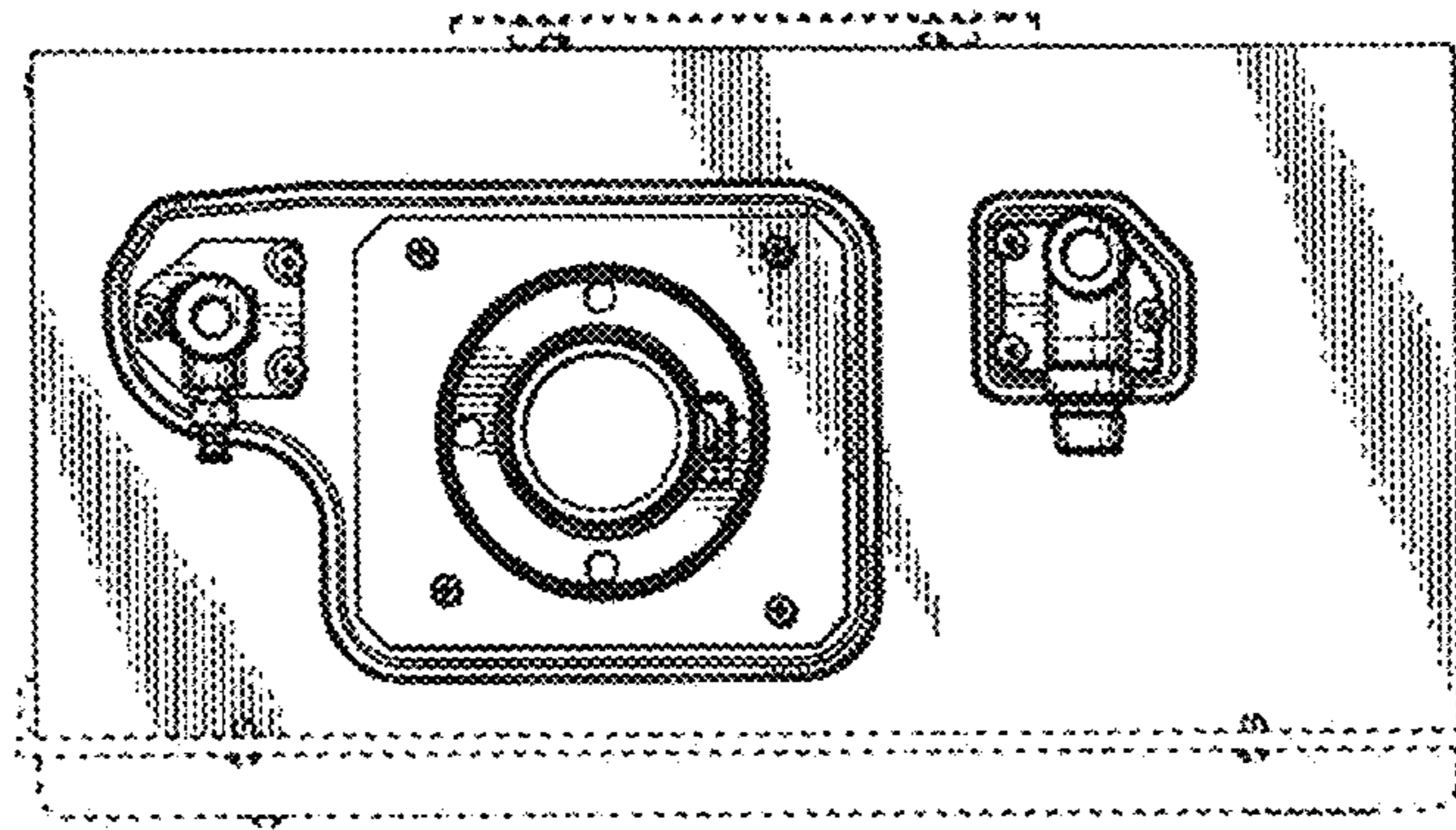


FIG. 30

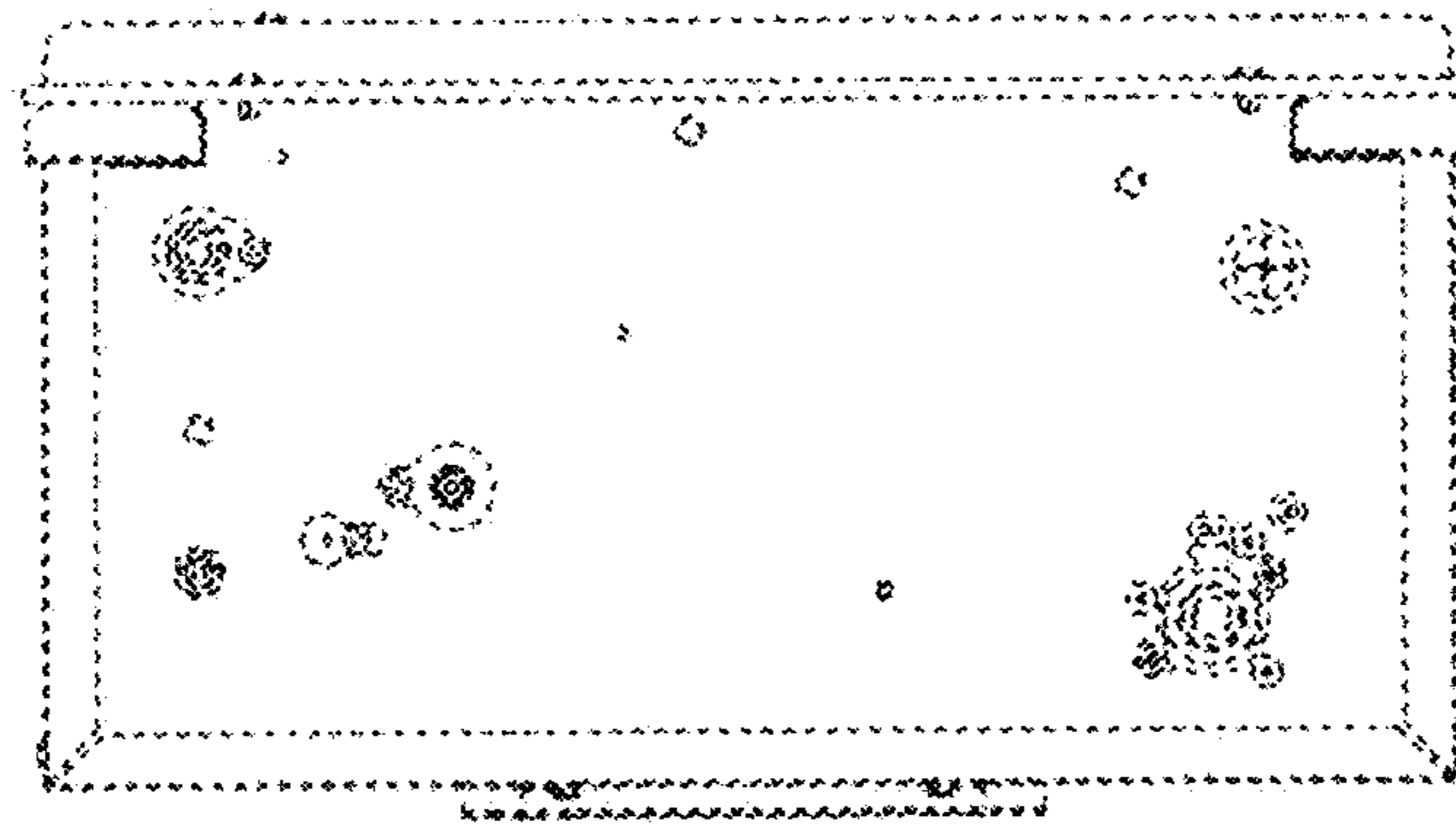


FIG. 31

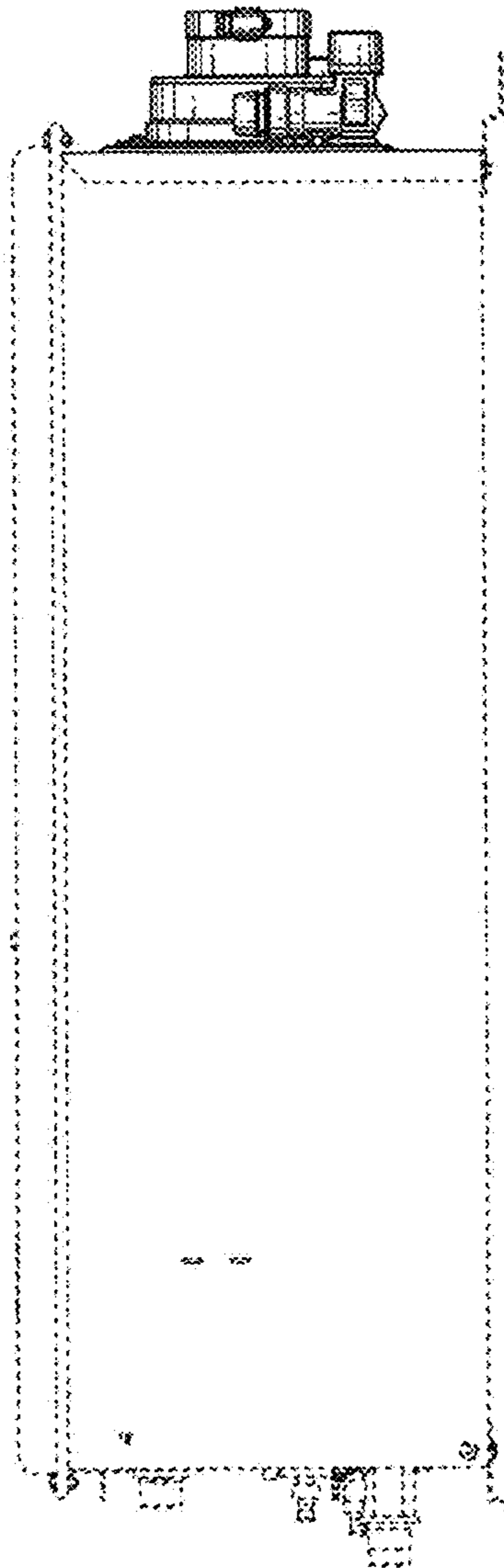


FIG. 32

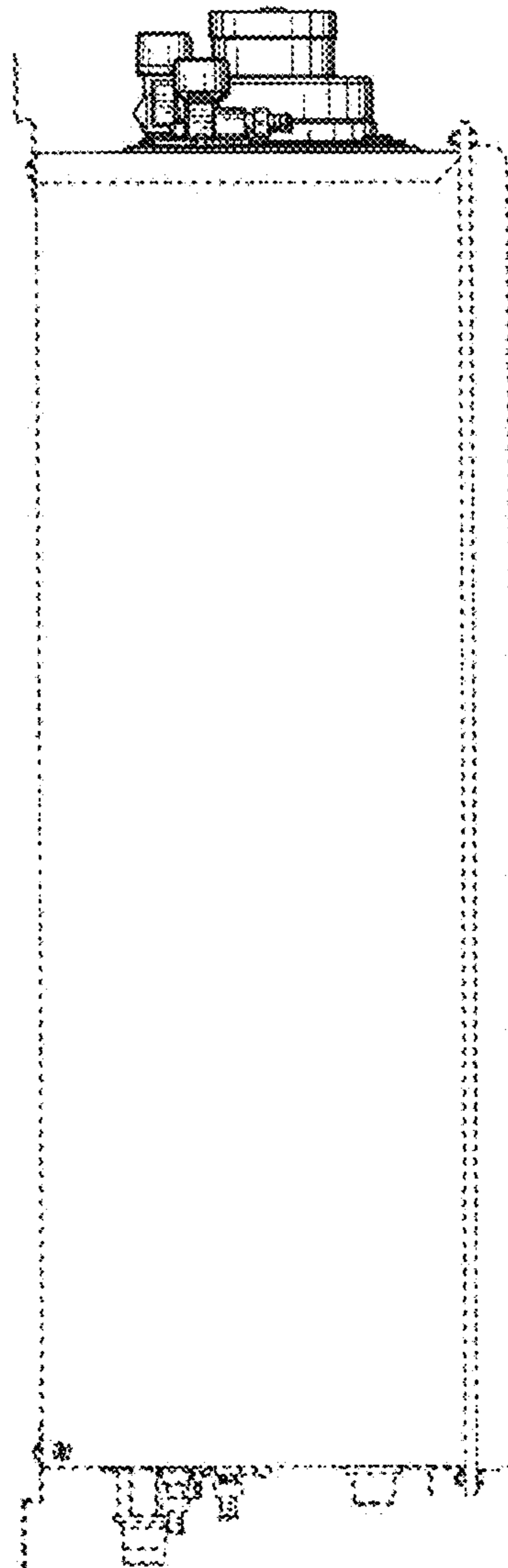


FIG. 33

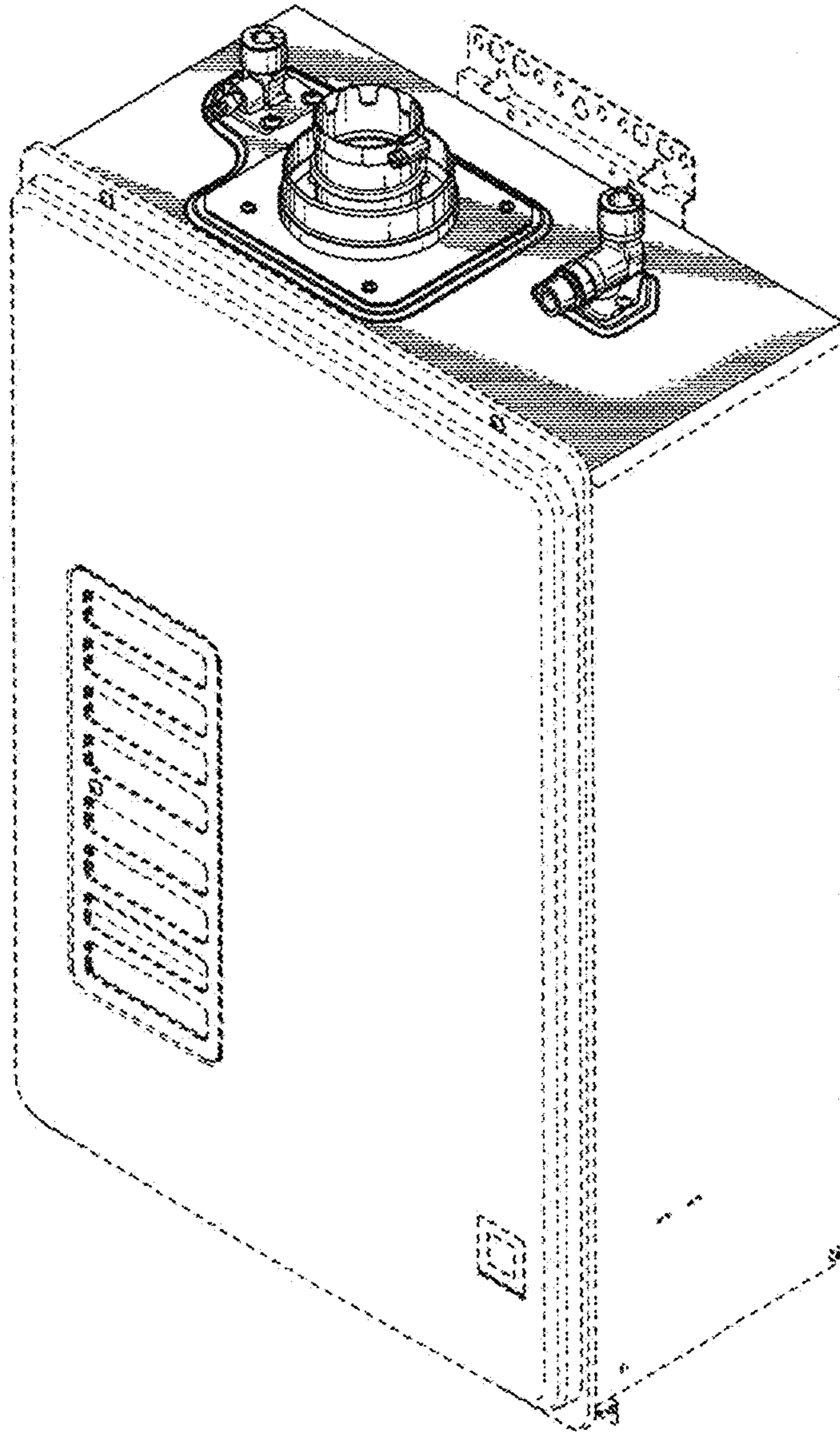


FIG. 34

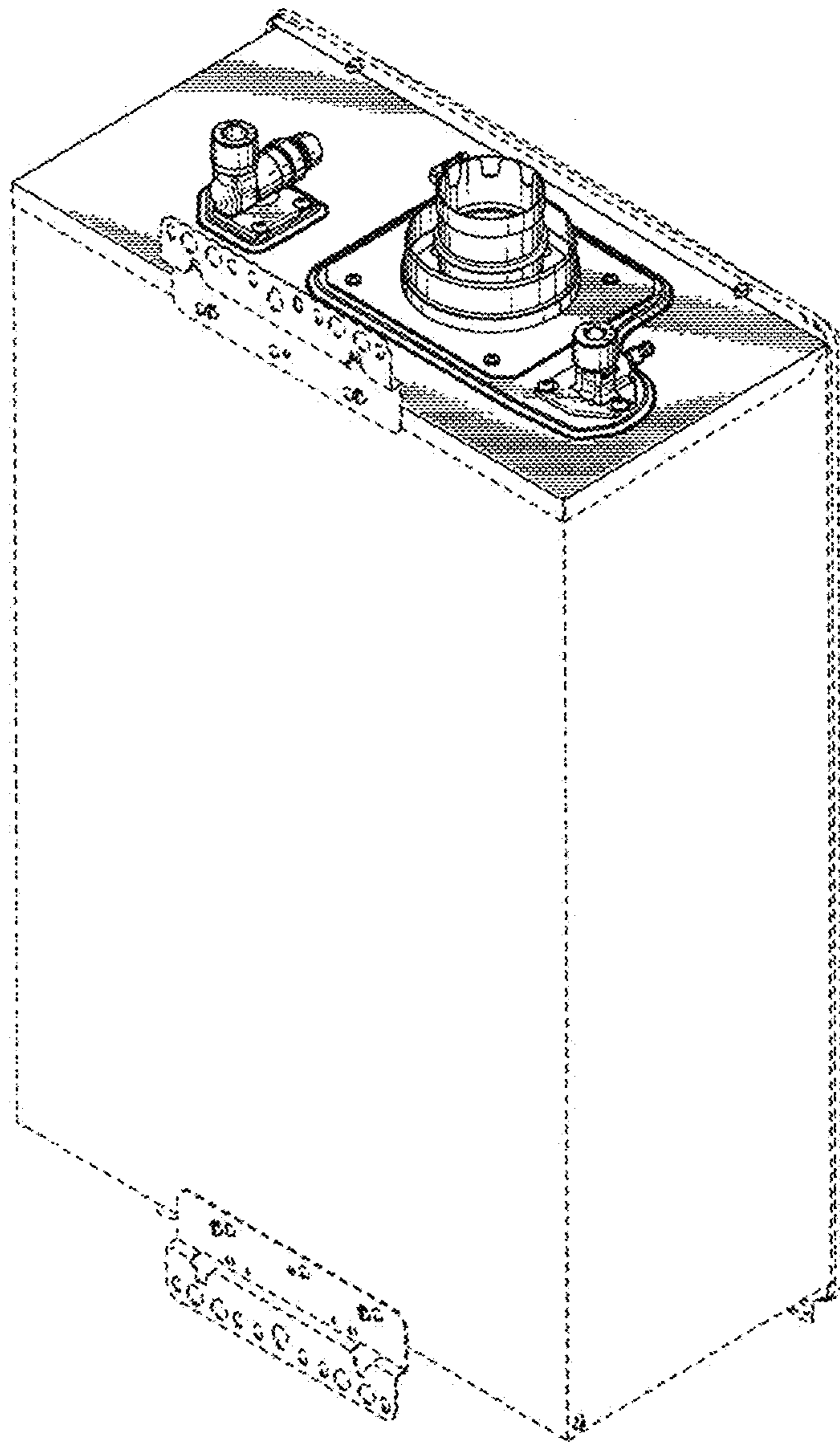


FIG. 35

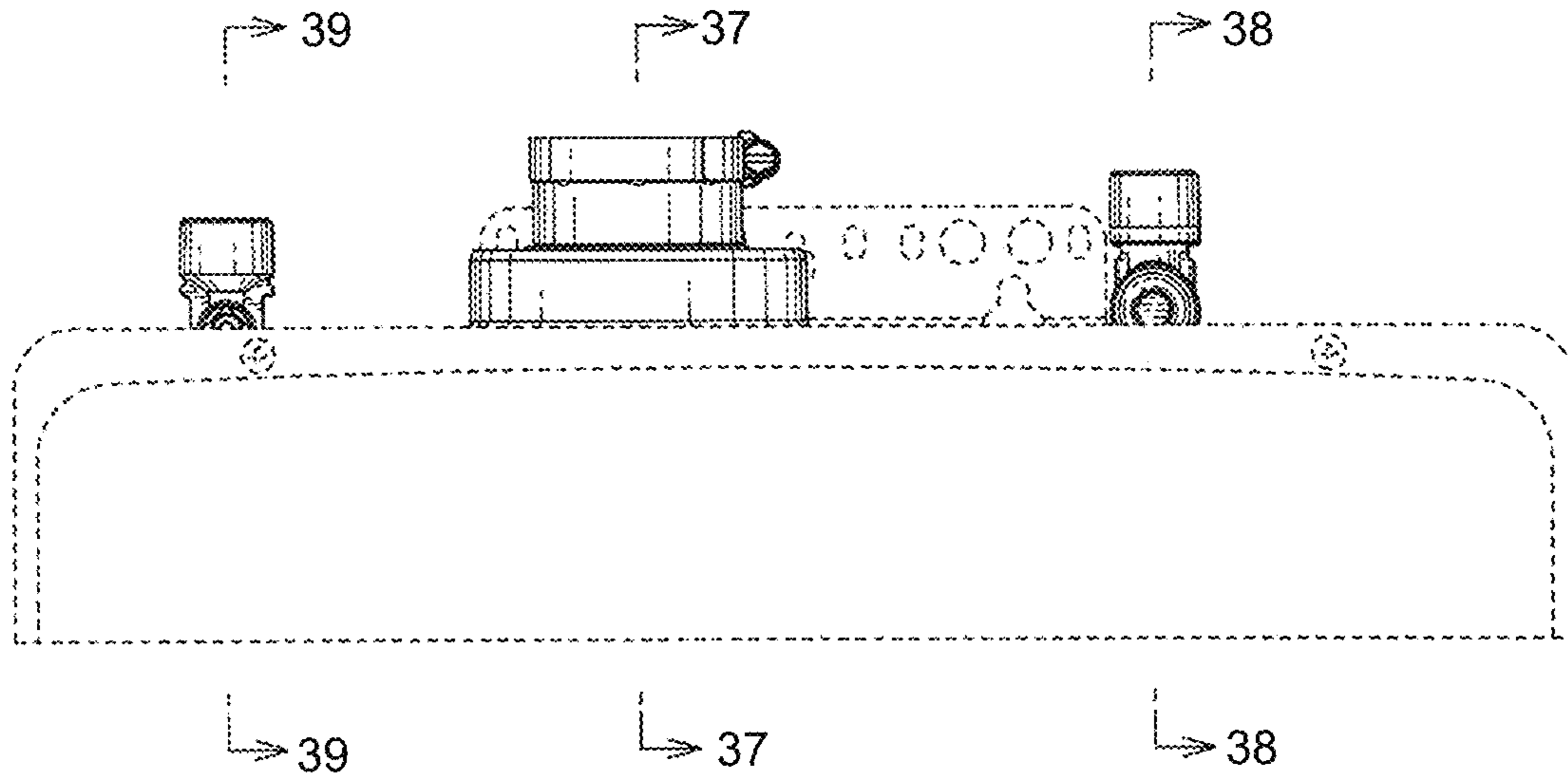


FIG. 36

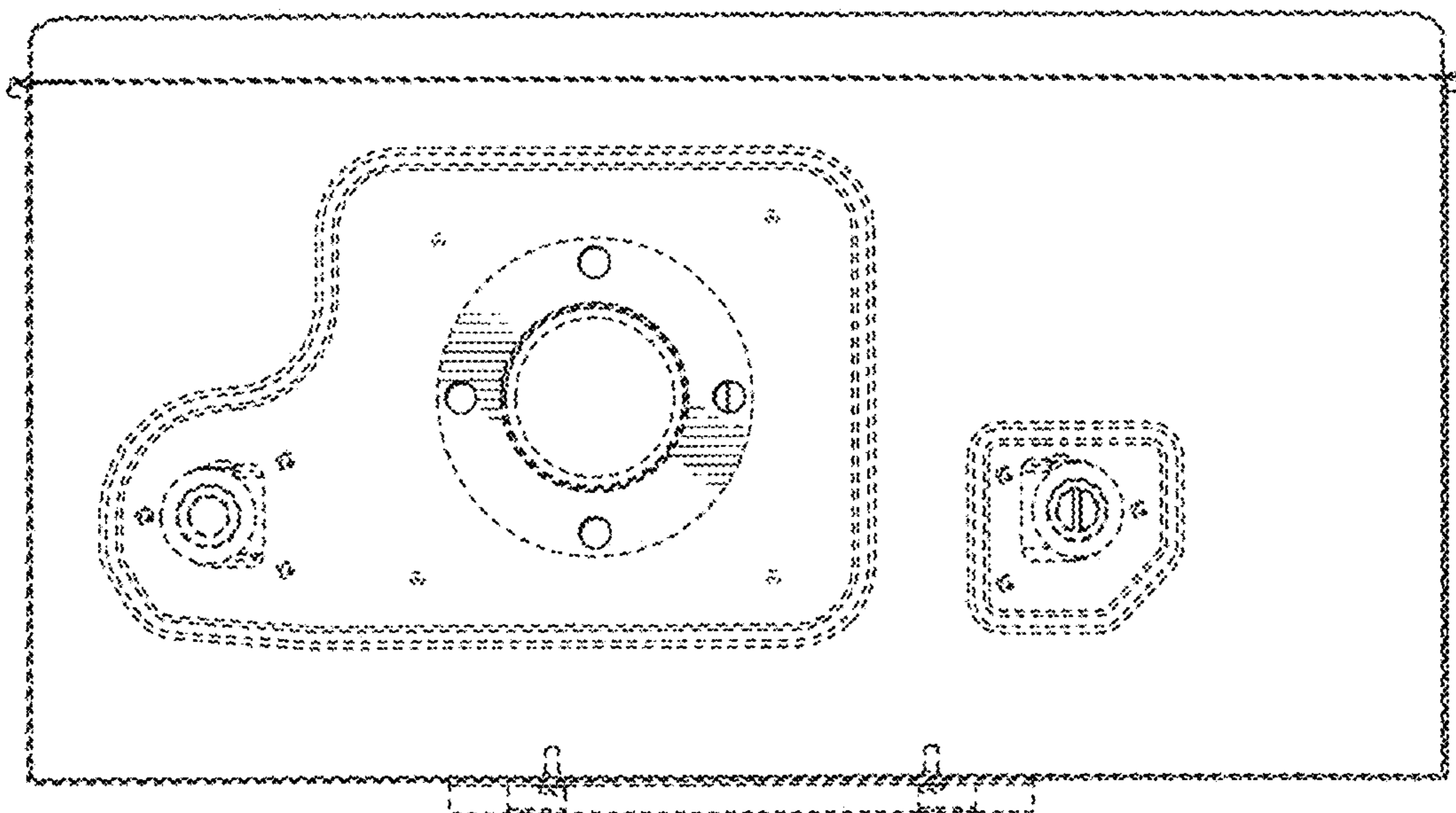


FIG. 37

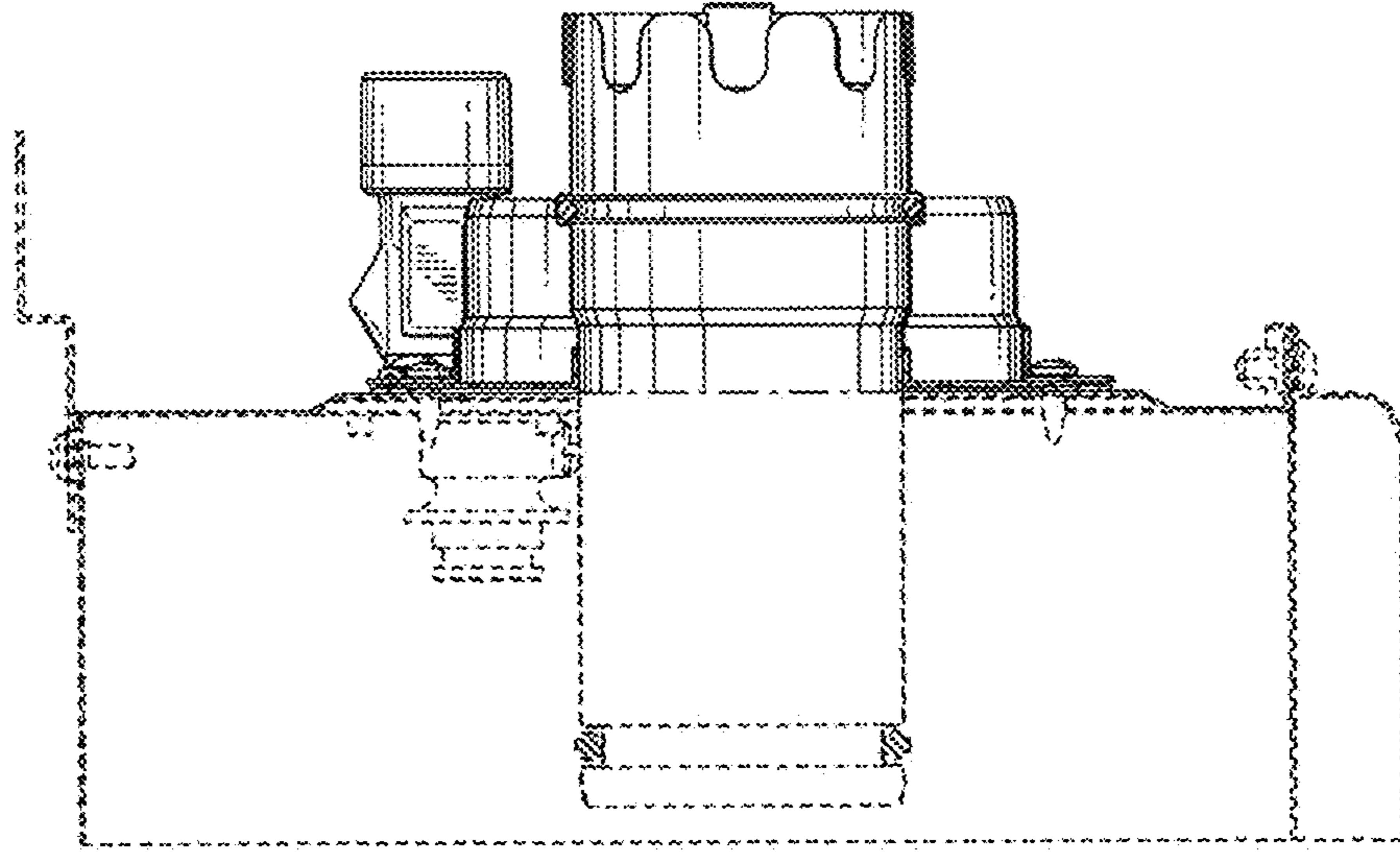


FIG. 38

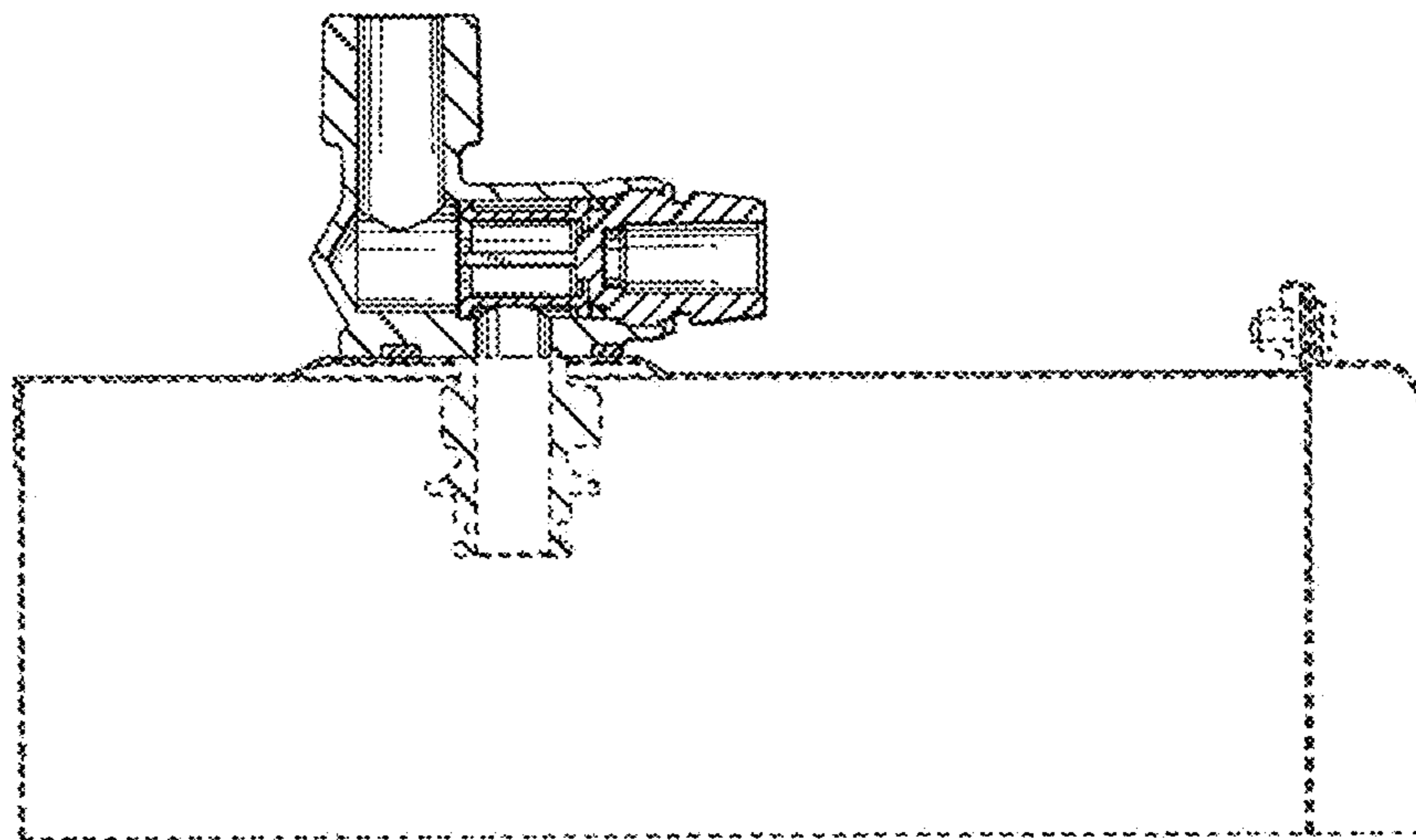


FIG. 39

