



US00D822183S

(12) **United States Design Patent**
Stevenson et al.

(10) **Patent No.:** **US D822,183 S**
(45) **Date of Patent:** **** Jul. 3, 2018**

- (54) **TOILET**
- (71) Applicant: **Kohler Mira Limited**, Gloucestershire (GB)
- (72) Inventors: **Robert Karl Stevenson**, London (GB); **Alexander Muspratt-Williams**, London (GB); **Mathias Hahn**, London (GB)
- (73) Assignee: **KOHLER MIRA LIMITED** (GB)
- (**) Term: **15 Years**
- (21) Appl. No.: **29/618,858**
- (22) Filed: **Sep. 25, 2017**

D576,716 S	9/2008	Kaule	
D587,356 S	2/2009	Cummings	
D592,293 S	5/2009	Maruhashi	
D594,943 S *	6/2009	Starck	D23/301
D594,944 S *	6/2009	Starck	D23/301
D596,720 S *	7/2009	Cummings	D23/295
D612,026 S	3/2010	Soulier	
D646,366 S	10/2011	Palomba	
D658,277 S	4/2012	Iranyi	
D663,391 S	7/2012	Iranyi	
D693,910 S	11/2013	Bates	
D703,797 S *	4/2014	Shinozaki	D23/300
D755,357 S	5/2016	Pearson	
D760,366 S	6/2016	Cummings	
D764,033 S	8/2016	Chuk	
D765,228 S	8/2016	Cummings	
D801,491 S *	10/2017	Stevenson	D23/300
D802,105 S *	11/2017	Stevenson	D23/301

* cited by examiner

Related U.S. Application Data

- (62) Division of application No. 29/566,094, filed on May 26, 2016, now Pat. No. Des. 801,491.
- (51) **LOC (11) Cl.** **23-02**
- (52) **U.S. Cl.**
USPC **D23/309**
- (58) **Field of Classification Search**
USPC D23/295-301, 303, 309, 313
CPC A47K 11/02; A47K 11/026; A47K 11/00;
A47K 13/00; E03D 11/18; E03D 5/10;
E03D 13/00
See application file for complete search history.

Primary Examiner — Brandon M Rosati
Assistant Examiner — John A Voytek
(74) *Attorney, Agent, or Firm* — Foley & Lardner LLP

(57) **CLAIM**

We claim the ornamental design for a toilet, as shown and described.

DESCRIPTION

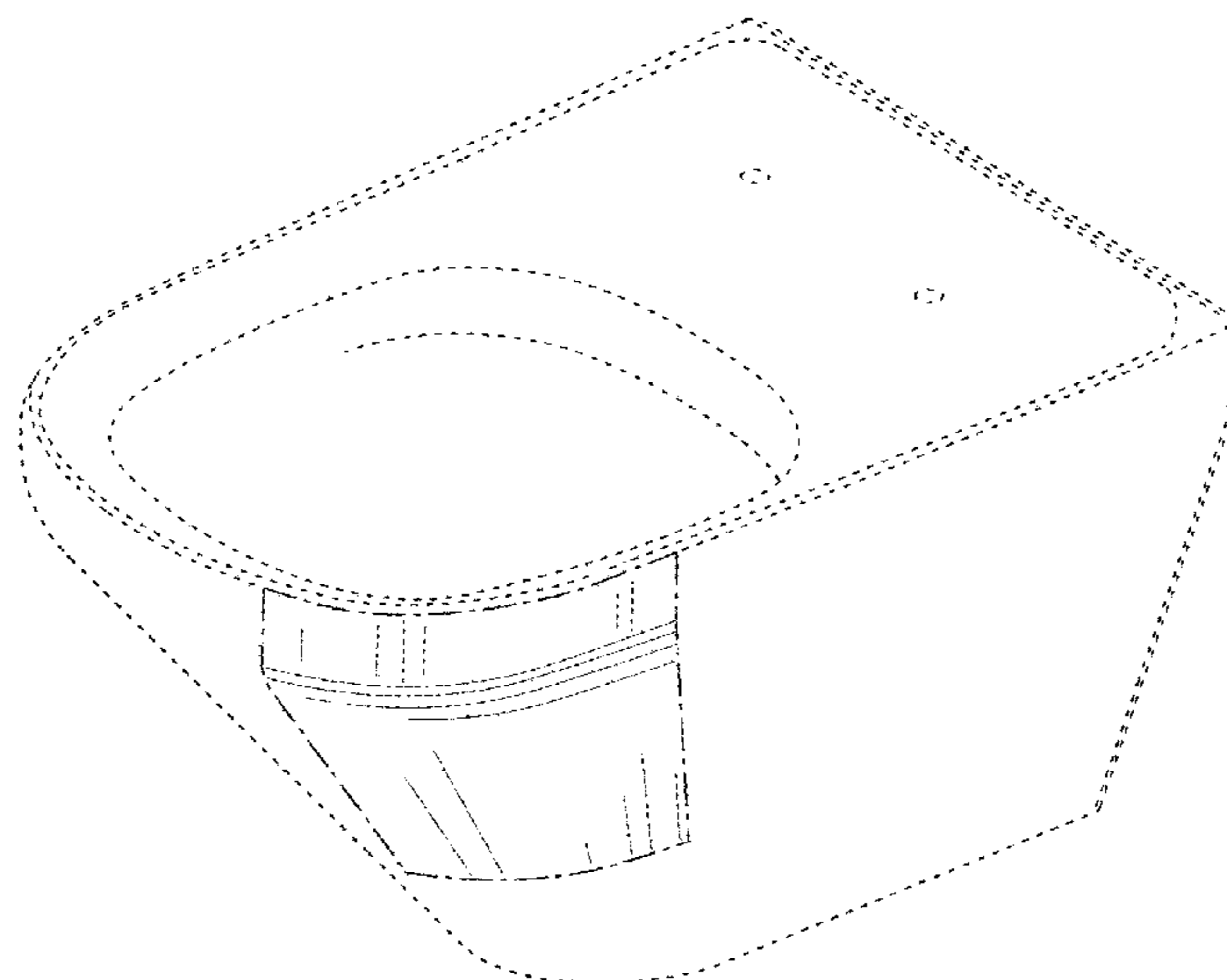
FIG. 1 is a perspective view of a toilet;
FIG. 2 is a front view of the toilet shown in FIG. 1;
FIG. 3 is a rear view of the toilet shown in FIG. 1;
FIG. 4 is a side view of the toilet shown in FIG. 1;
FIG. 5 is another side view of the toilet shown in FIG. 1;
FIG. 6 is a top view of the toilet shown in FIG. 1; and,
FIG. 7 is a bottom view of the toilet shown in FIG. 1.
In the drawings, the broken lines depict environmental subject matter only and form no part of the claimed design. The dot and dashed lines indicate a boundary between the claimed and unclaimed portion of the design.

(56) **References Cited**

U.S. PATENT DOCUMENTS

D354,341 S	1/1995	Kohler, Jr. et al.	
D355,025 S	1/1995	Kohler, Jr. et al.	
D444,217 S	6/2001	McMahon	
D455,477 S	4/2002	Soulier	
D494,667 S	8/2004	Kergoet	
D496,444 S	9/2004	Kergoet	
D509,575 S	9/2005	Kergoet	
D520,614 S *	5/2006	Tani	D23/301

1 Claim, 7 Drawing Sheets



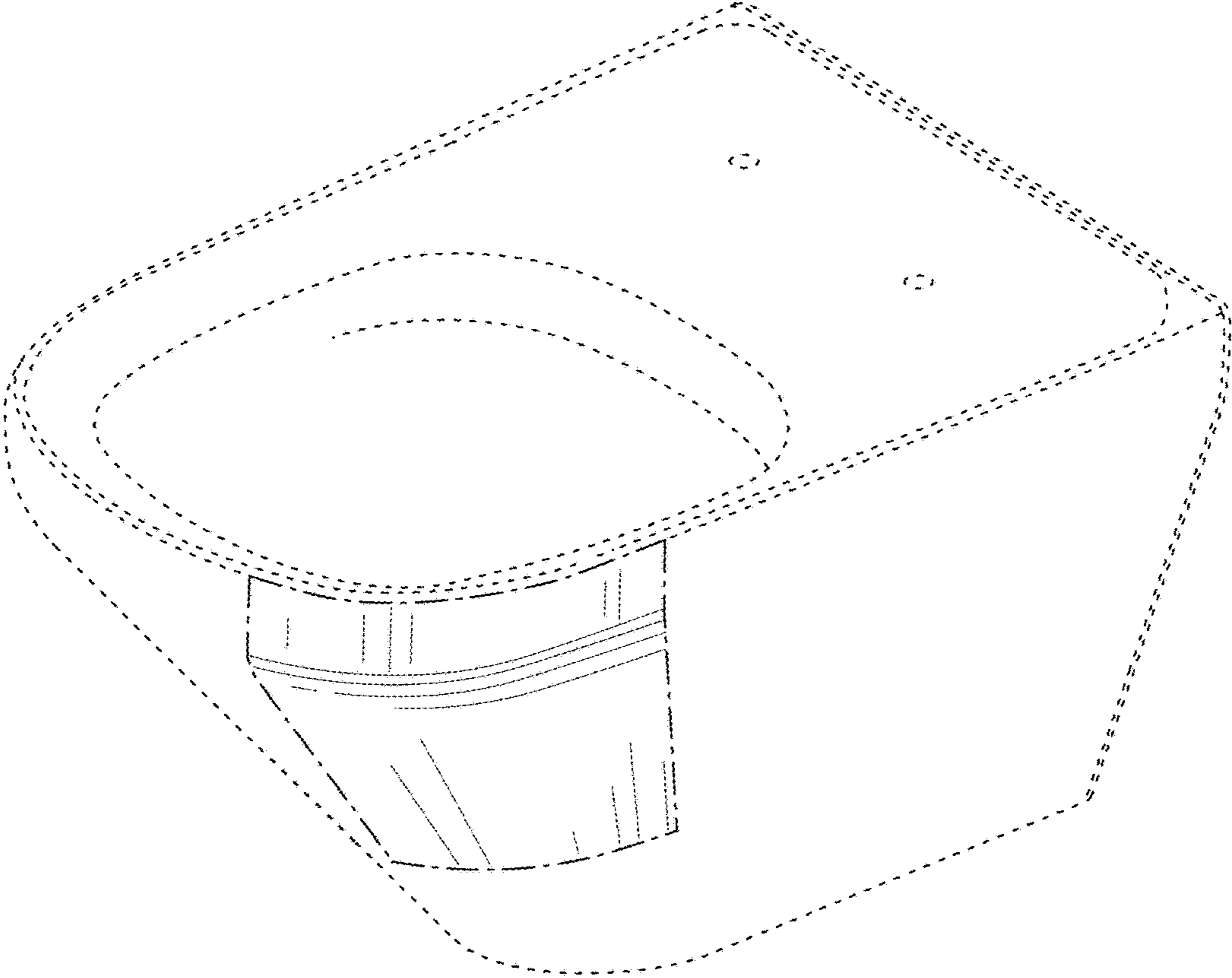


FIG. 1

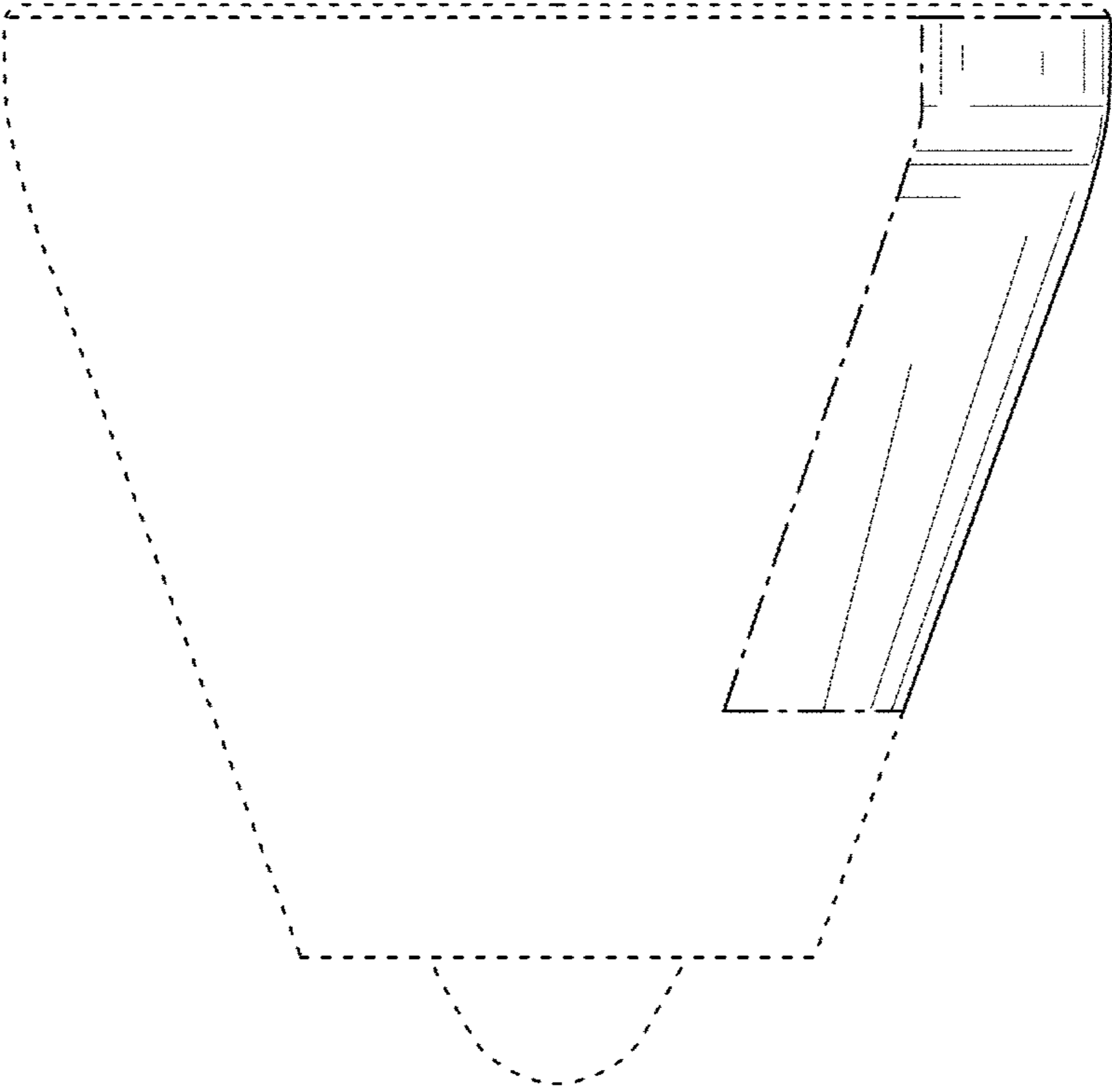


FIG. 2

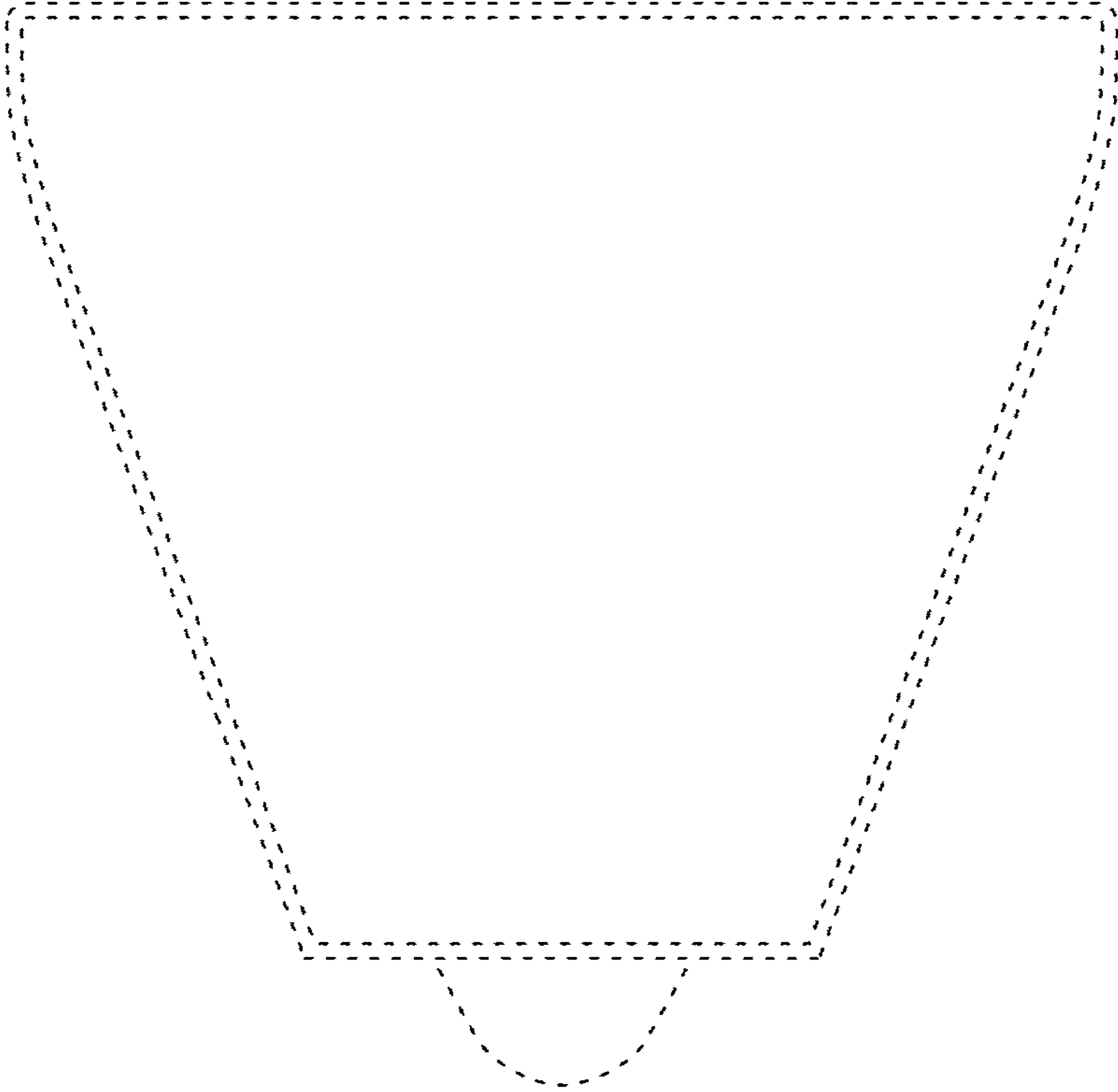


FIG. 3

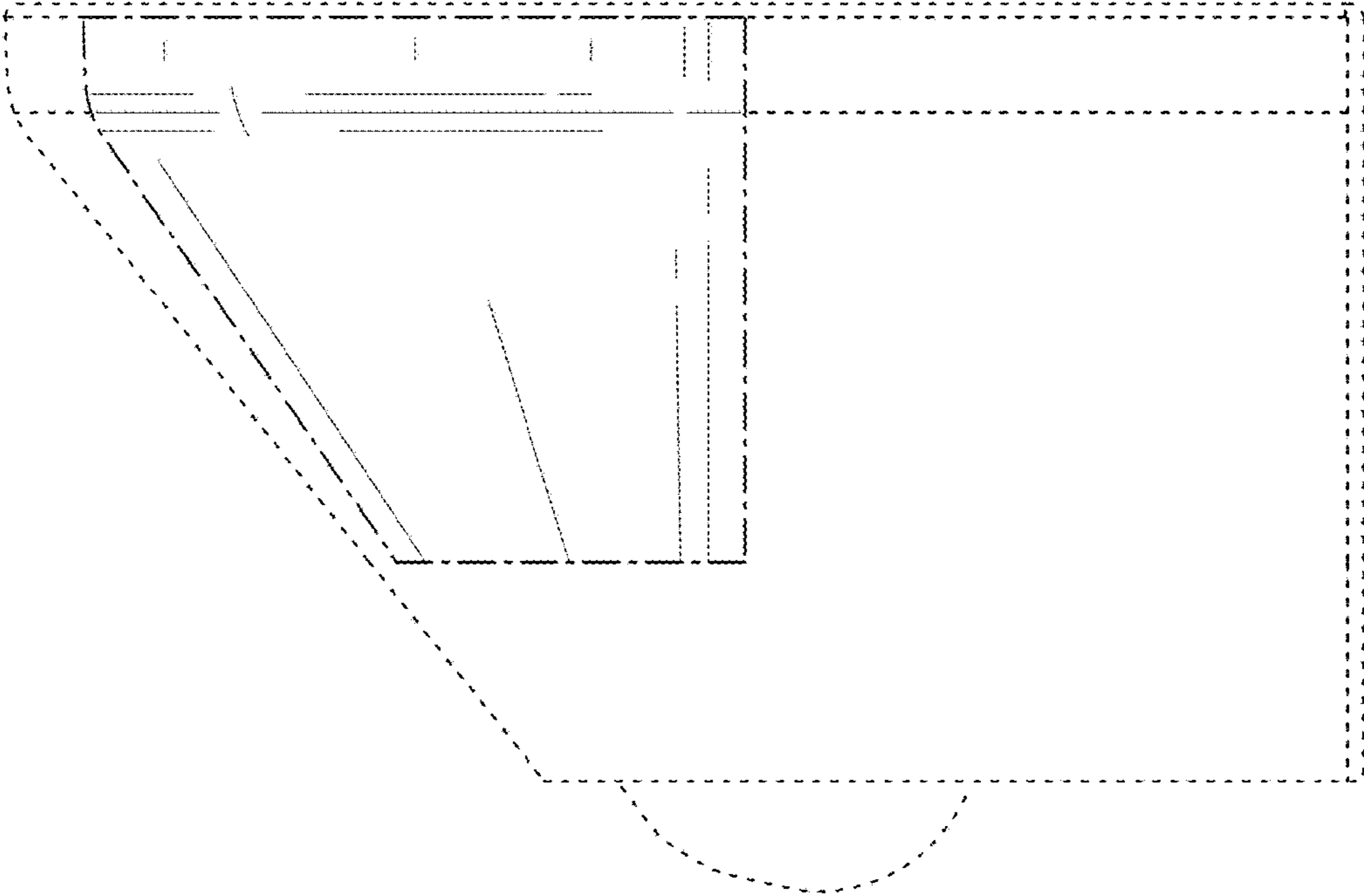


FIG. 4

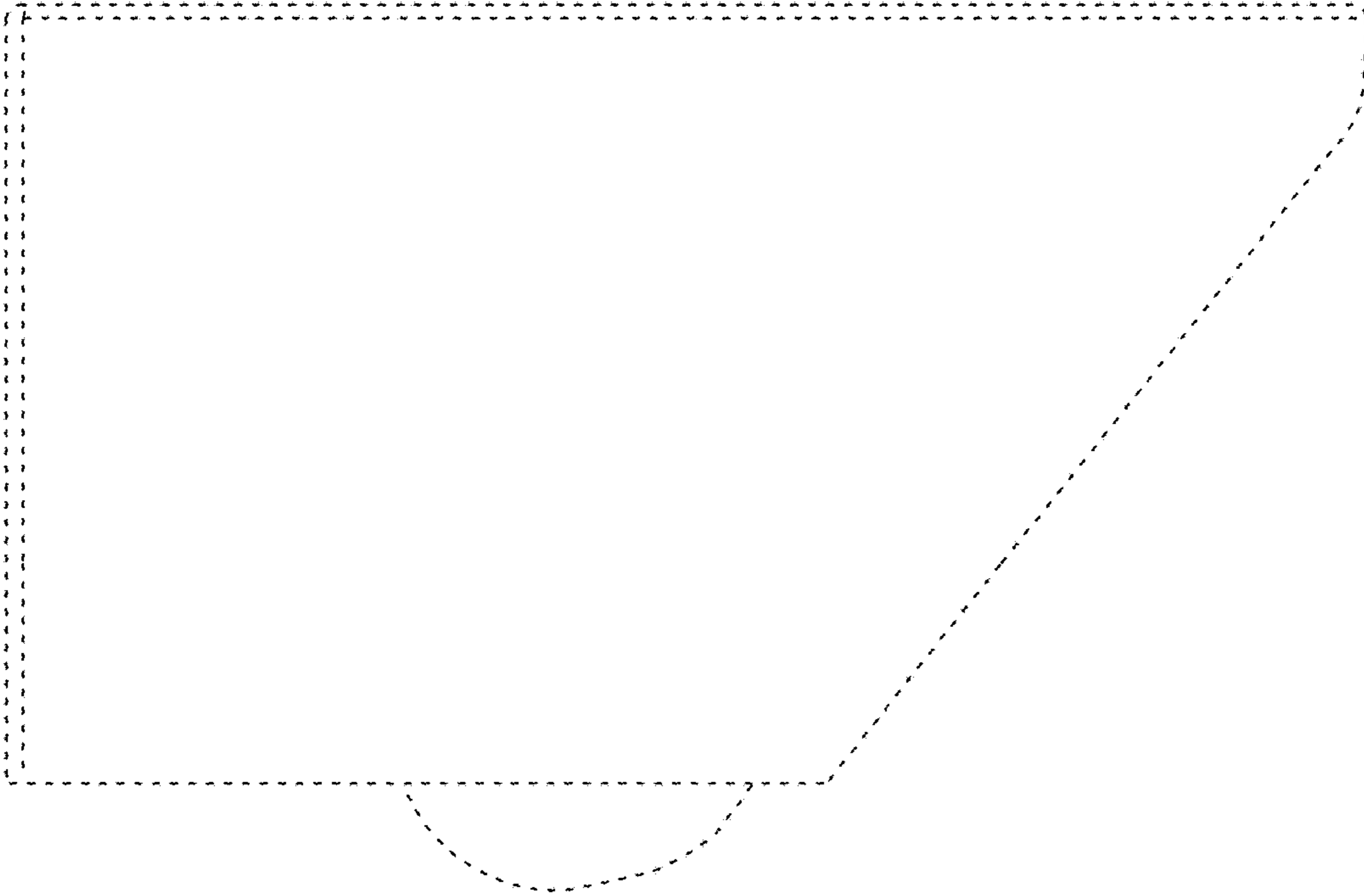


FIG. 5

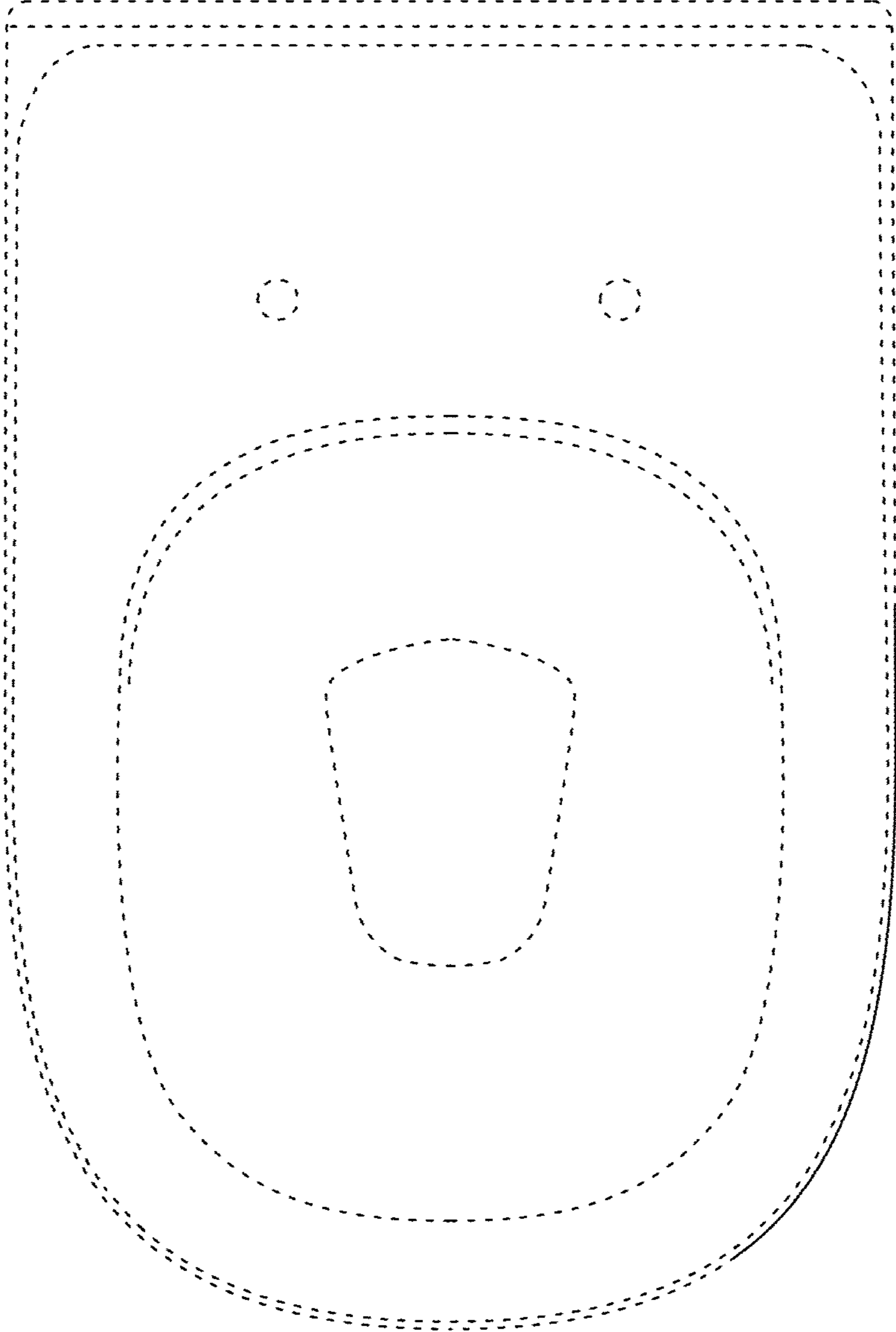


FIG. 6

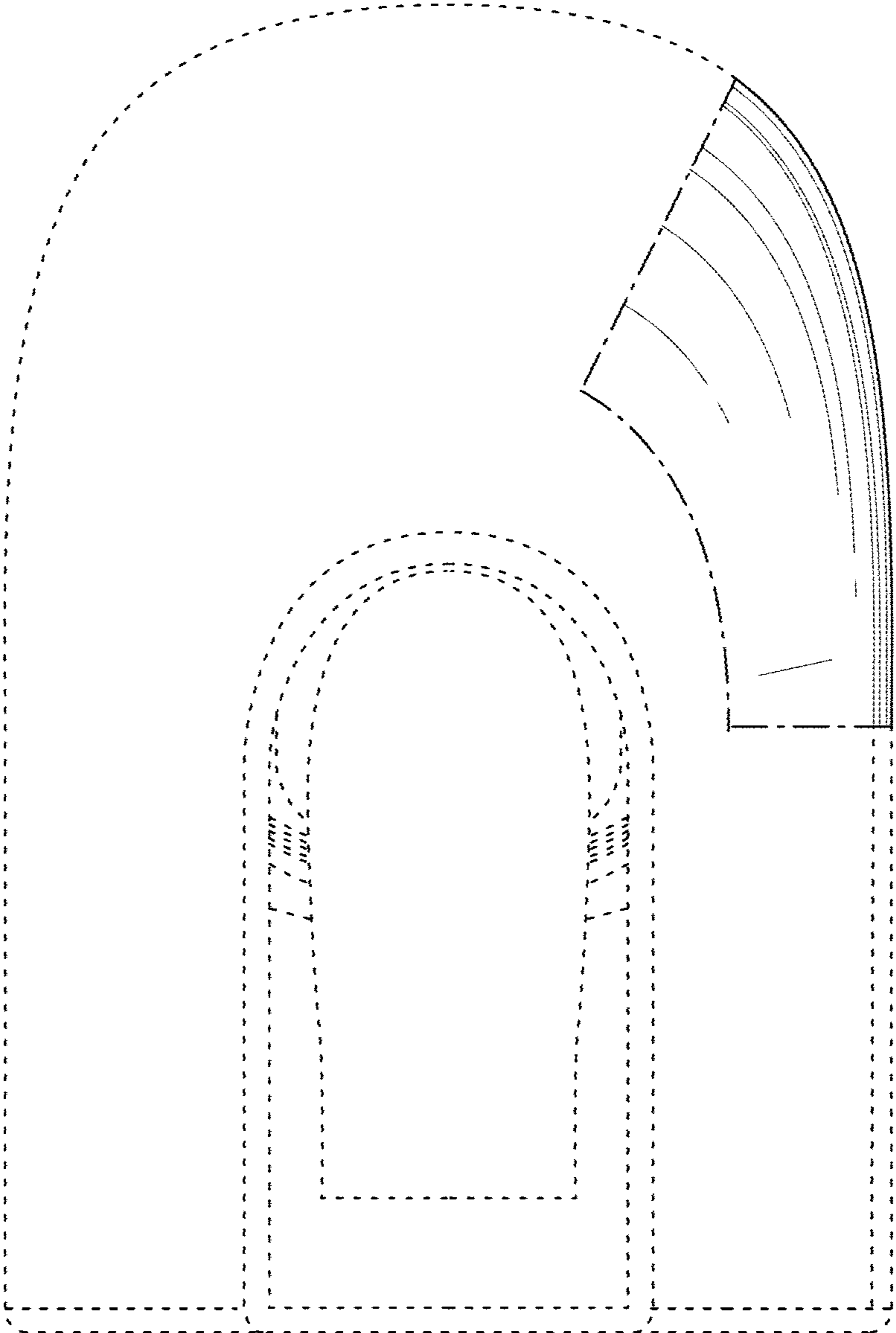


FIG. 7