



US00D822182S

(12) **United States Design Patent** (10) **Patent No.:** **US D822,182 S**  
**Acers** (45) **Date of Patent:** **\*\* Jul. 3, 2018**

(54) **SHOWER STALL INTERIOR**  
(71) Applicant: **Roger Acers**, Loveland, CO (US)  
(72) Inventor: **Roger Acers**, Loveland, CO (US)  
(\*\*) Term: **15 Years**  
(21) Appl. No.: **29/610,538**  
(22) Filed: **Jul. 13, 2017**  
(51) **LOC (11) Cl.** ..... **23-02**  
(52) **U.S. Cl.**  
USPC ..... **D23/283**  
(58) **Field of Classification Search**  
USPC ..... D23/283, 275, 303–305, 315–316,  
D23/319–320  
See application file for complete search history.

D754,288 S \* 4/2016 Bahler ..... D23/304  
\* cited by examiner

*Primary Examiner* — Robert A Delehanty  
(74) *Attorney, Agent, or Firm* — Santangelo Law Offices,  
P.C.

(57) **CLAIM**

The ornamental design for a shower stall interior, as shown and described.

**DESCRIPTION**

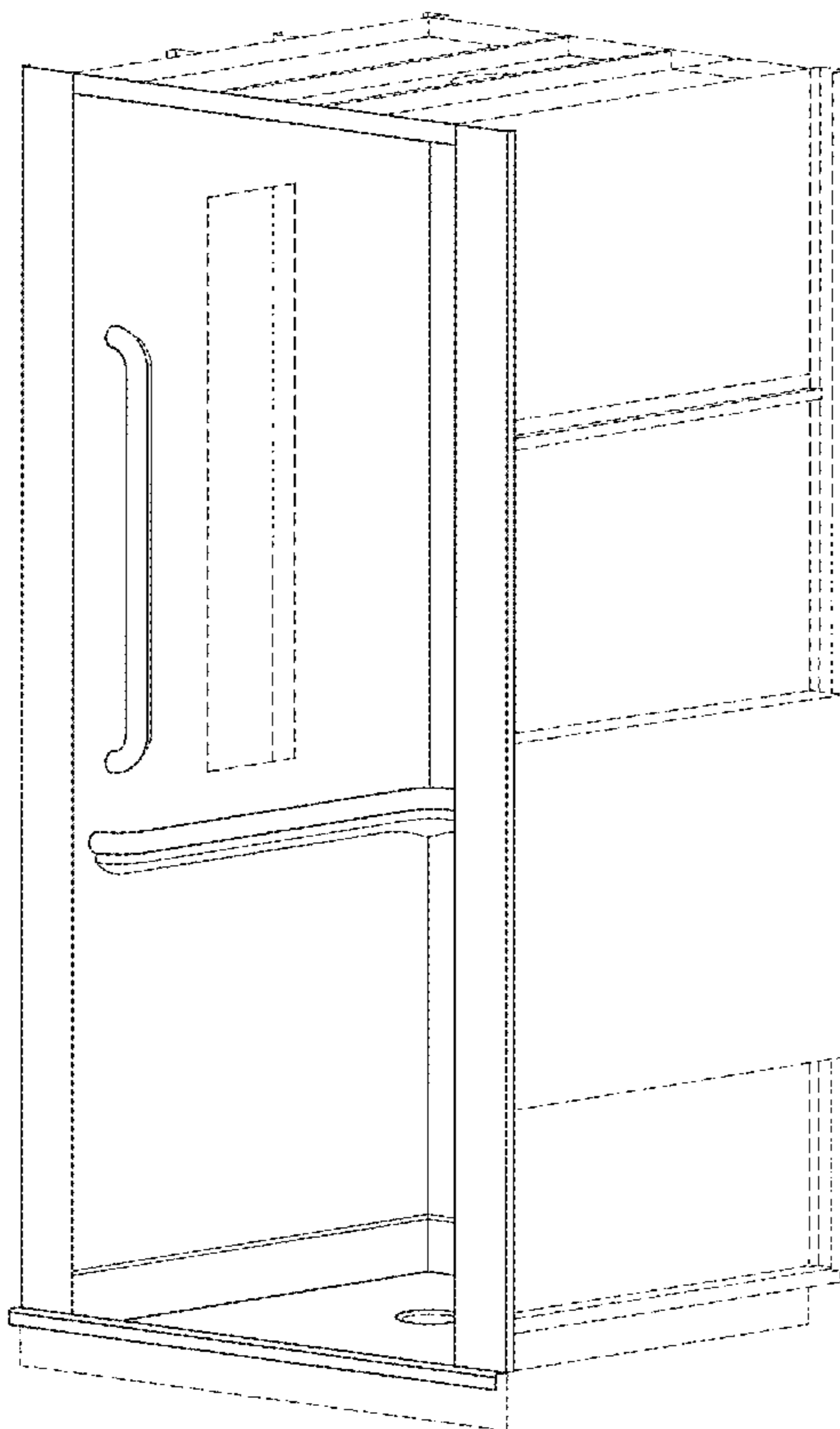
FIG. 1 is a perspective view, from front upper right, of a shower stall interior showing my new design.  
FIG. 2 is a front view of a shower stall interior showing my new design.  
FIG. 3 is a perspective view, from front upper left, of a shower stall interior showing my new design; and,  
FIG. 4 is a view of a shower stall interior, from right of the shower stall, with the right wall removed for clarity.  
Note that the claim also covers the new design embodied in a shower stall interior that is a mirror image of that shown in the figures. Note also that this application is intended to disclose a design where any one or more features of the shower stall interior shown, in the initial filing, in solid line, is converted to broken line.

(56) **References Cited**

**U.S. PATENT DOCUMENTS**

D320,843 S \* 10/1991 Sauter ..... D23/283  
D322,123 S \* 12/1991 Smith ..... D23/283  
5,671,489 A \* 9/1997 Salach ..... A47K 3/282  
4/584  
D412,028 S \* 7/1999 Funk ..... D23/283  
D522,637 S \* 6/2006 Webster ..... D23/283  
D618,774 S \* 6/2010 Bauer ..... D23/304

**1 Claim, 4 Drawing Sheets**



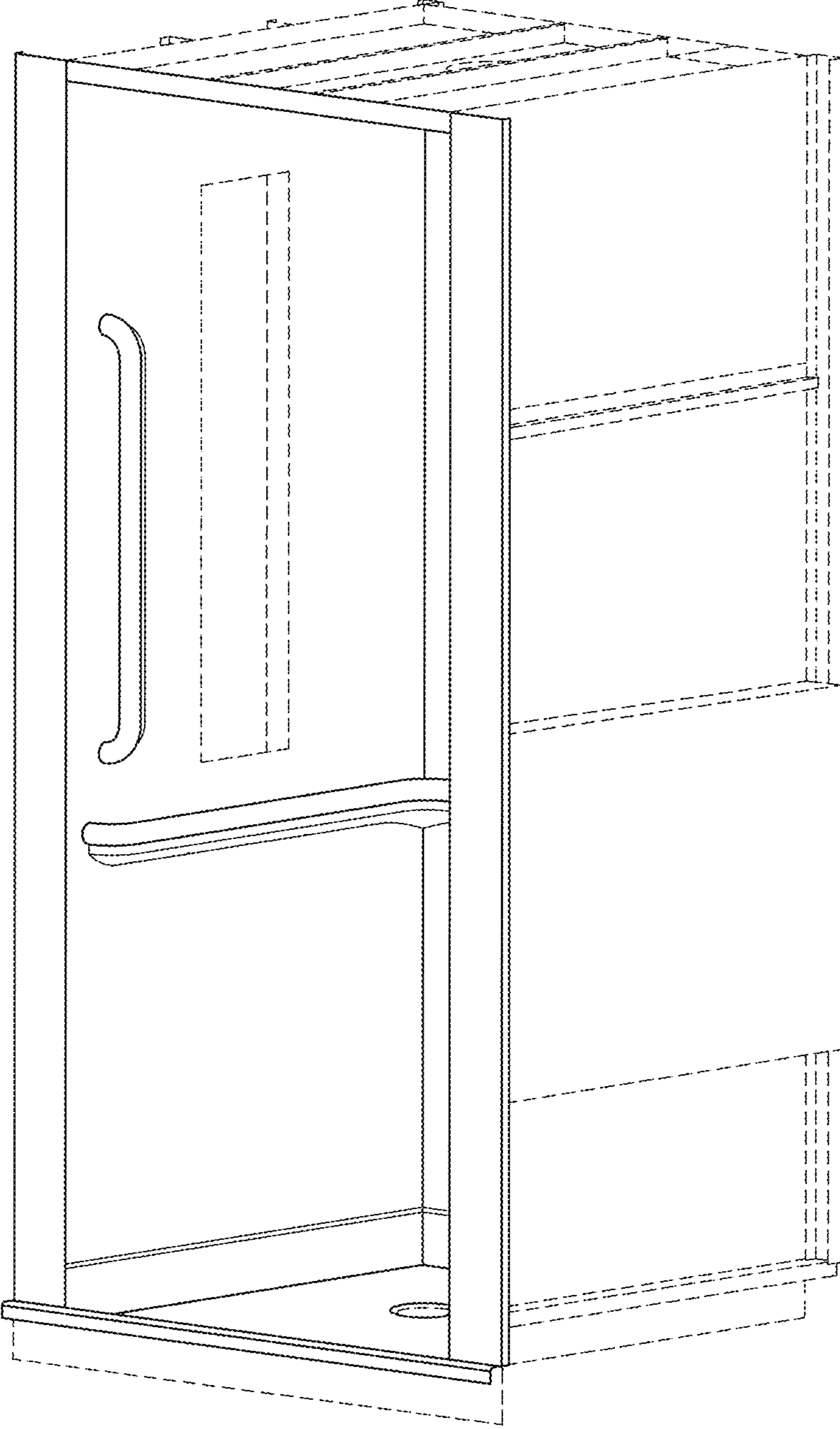


FIG. 1

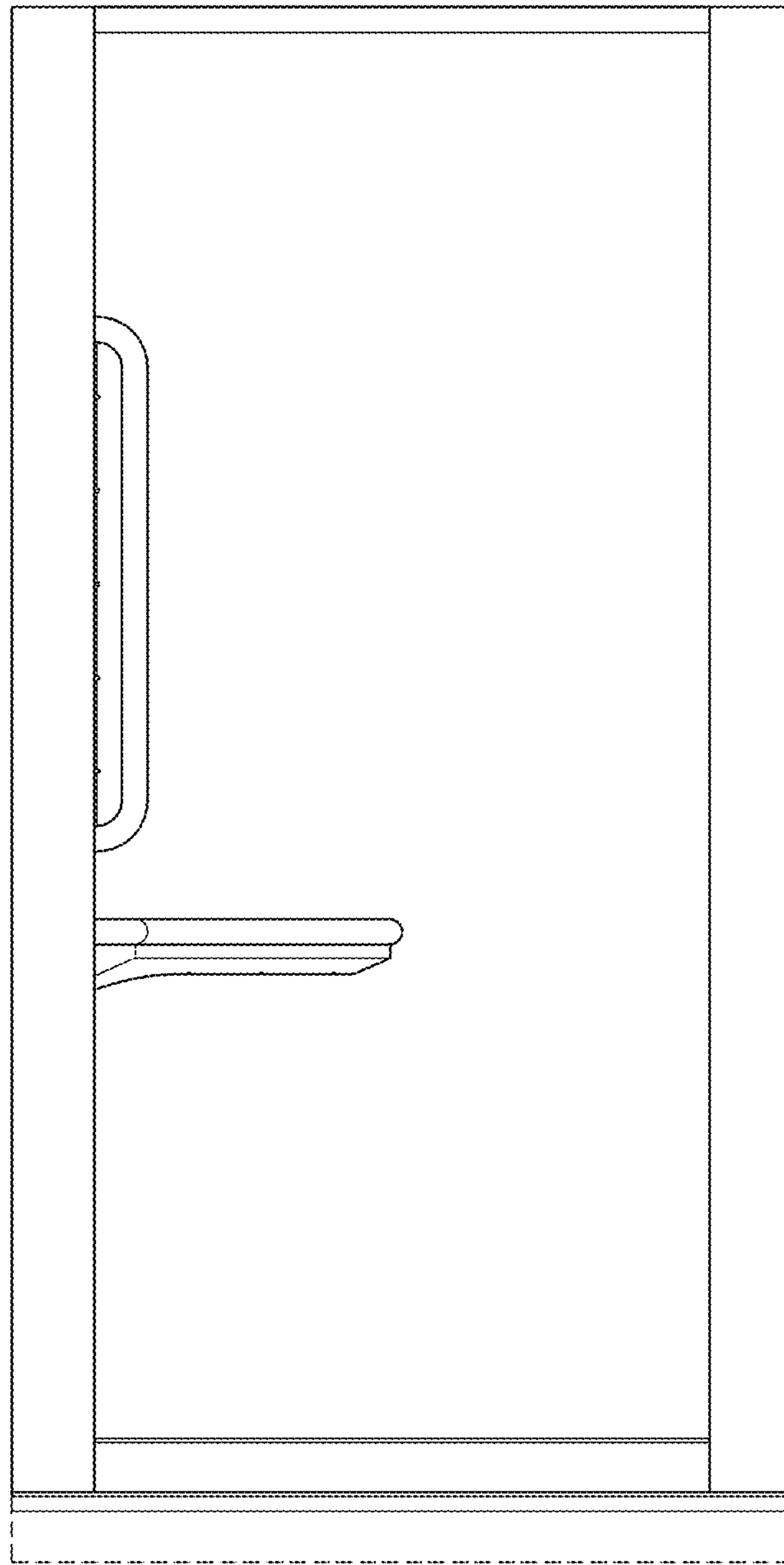


FIG. 2

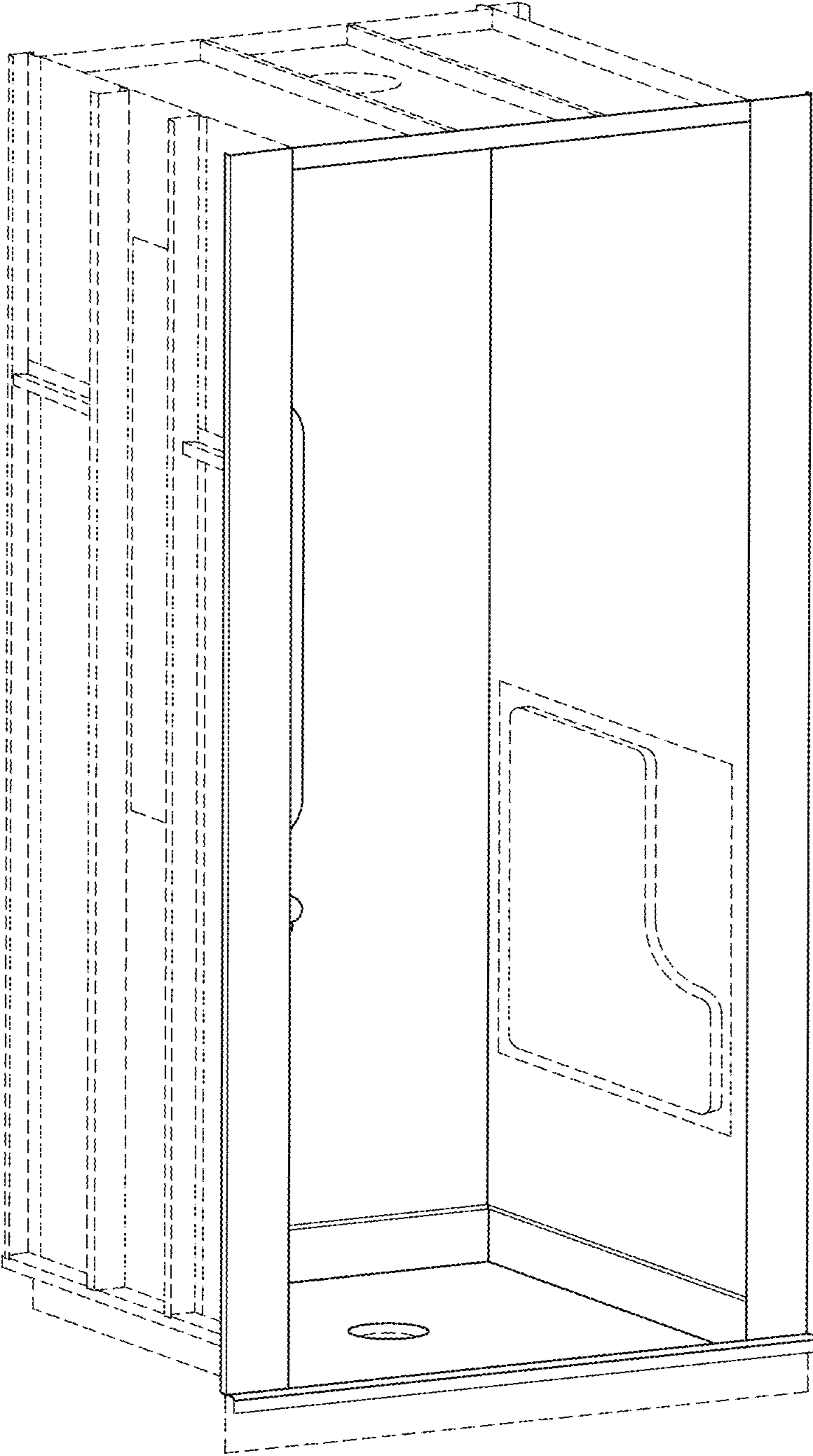


FIG. 3

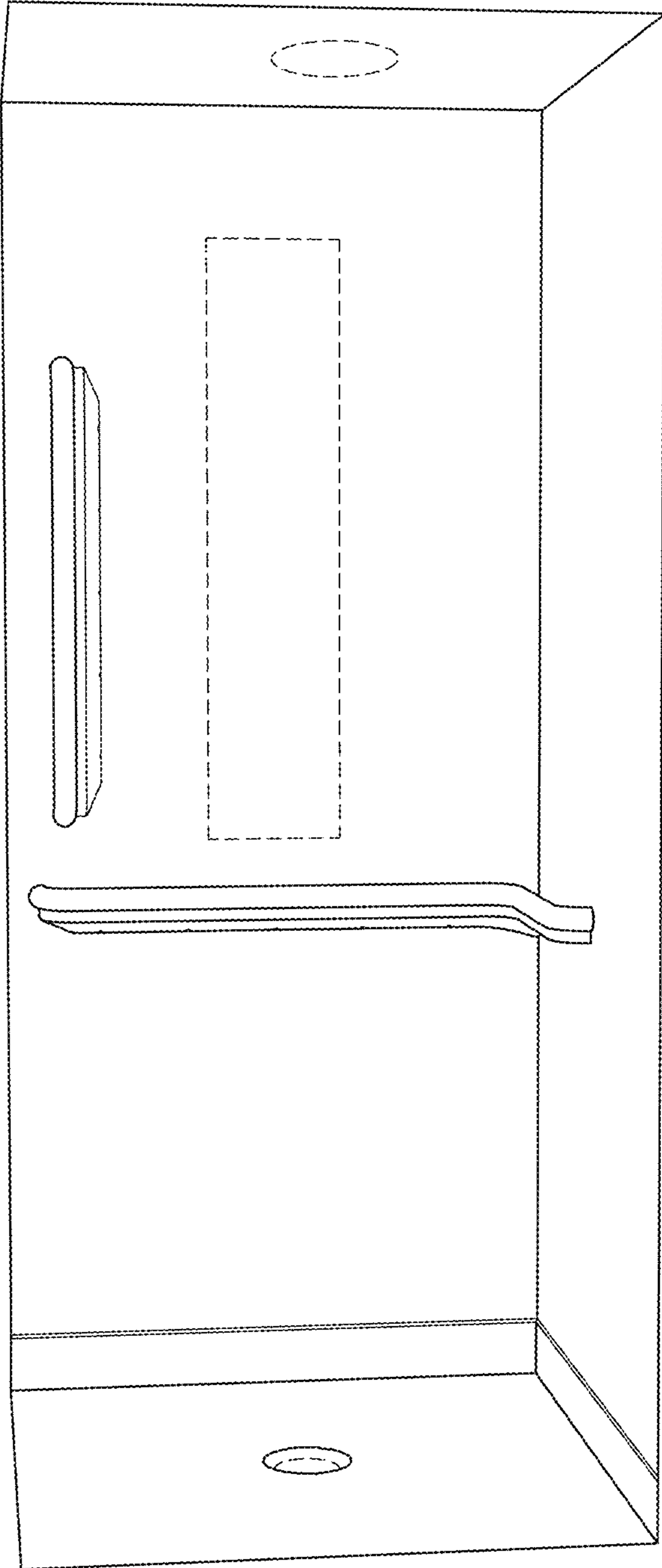


FIG. 4