

US00D822180S

(12) **United States Design Patent**
Rolston

(10) **Patent No.:** **US D822,180 S**
(45) **Date of Patent:** **** Jul. 3, 2018**

- (54) **PIPE FITTING**
- (71) Applicant: **MUSTANG SAMPLING LLC**,
Ravenswood, WV (US)
- (72) Inventor: **Claude A. Rolston**, St. Marys, WV
(US)
- (73) Assignee: **Mustang Sampling, LLC**,
Ravenswood, WV (US)
- (**) Term: **15 Years**
- (21) Appl. No.: **35/001,168**
- (22) Filed: **Mar. 10, 2016**
- (80) **Hague Agreement Data**
Int. Filing Date: **Mar. 10, 2016**
Int. Reg. No.: **DM/090655**
Int. Reg. Date: **Mar. 10, 2016**
Int. Reg. Pub. Date: **Sep. 16, 2016**
- (51) **LOC (11) Cl.** **23-01**
- (52) **U.S. Cl.**
USPC **D23/259**
- (58) **Field of Classification Search**
USPC D23/259, 262-263, 266
CPC F16L 9/02; F16L 9/14; Y10T 29/49826;
Y10T 428/139
See application file for complete search history.

- 6,367,783 B1 * 4/2002 Raftis B01F 3/04269
261/122.1
- 6,378,912 B1 * 4/2002 Condon F16L 5/06
239/273
- 6,488,318 B1 * 12/2002 Shim F16L 19/061
285/322
- D470,577 S * 2/2003 Knight D23/259
- 6,726,161 B2 * 4/2004 Plump B05B 15/065
248/205.1
- 6,938,690 B2 * 9/2005 Surjaatmadja C09K 8/74
166/242.2
- D554,237 S * 10/2007 Lewis D23/259
- D576,477 S * 9/2008 Levy D23/262
- D615,166 S * 5/2010 Patti D23/266
- 7,793,679 B2 * 9/2010 Murphy F16K 27/065
137/15.22
- 8,079,860 B1 * 12/2011 Zraik H01R 13/207
439/255
- 9,115,841 B2 * 8/2015 Bourne F16L 55/168
- 9,116,522 B2 * 8/2015 Spitzer G05D 7/0113
- D745,949 S * 12/2015 Meyer D23/259
- D759,216 S * 6/2016 Kozak D23/266
- D772,383 S * 11/2016 Gill D23/259
- D773,621 S * 12/2016 Gill D23/259
- D780,297 S * 2/2017 Ray D23/262
- D787,647 S * 5/2017 Eaton D23/259
- D787,648 S * 5/2017 Smith D23/259

(Continued)

Primary Examiner — Michael A. Pratt
(74) *Attorney, Agent, or Firm* — Cahn & Samuels, LLP

(57) **CLAIM**

The ornamental design for a pipe fitting, as shown and described.

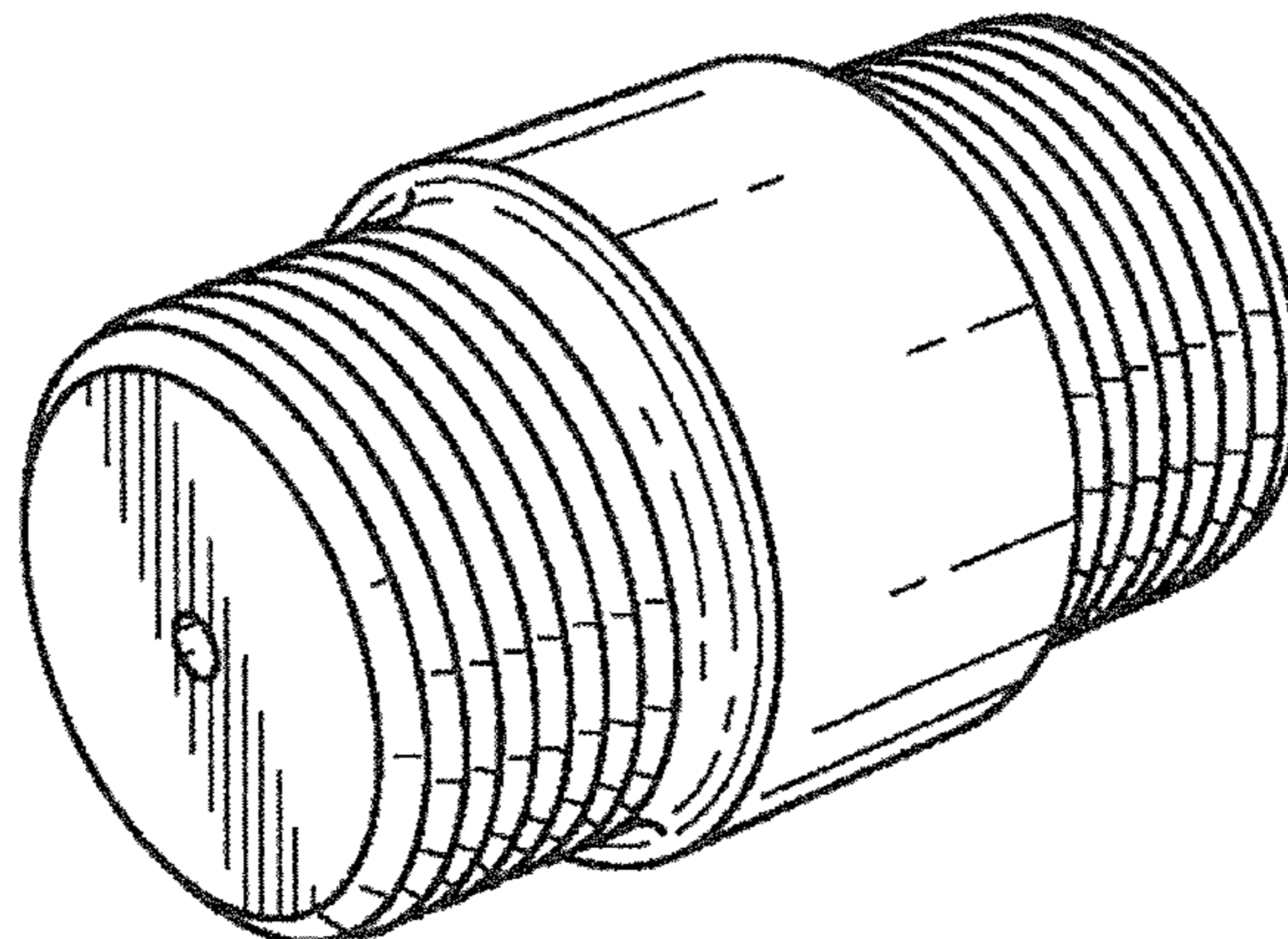
(56) **References Cited**
U.S. PATENT DOCUMENTS

- 4,487,080 A 12/1984 Leaseburge et al.
- 4,702,754 A * 10/1987 Blocker B01D 46/0012
137/223
- 4,795,175 A * 1/1989 Babb B23B 31/023
269/163
- D397,413 S * 8/1998 Sapp D23/262
- 6,053,639 A * 4/2000 Chen G02B 6/3825
385/53

DESCRIPTION

- 1. Pipe fitting
- 1.1: Perspective
- 1.2: Left
- 1.3: End
- 1.4: Perspective

1 Claim, 4 Drawing Sheets



(56)

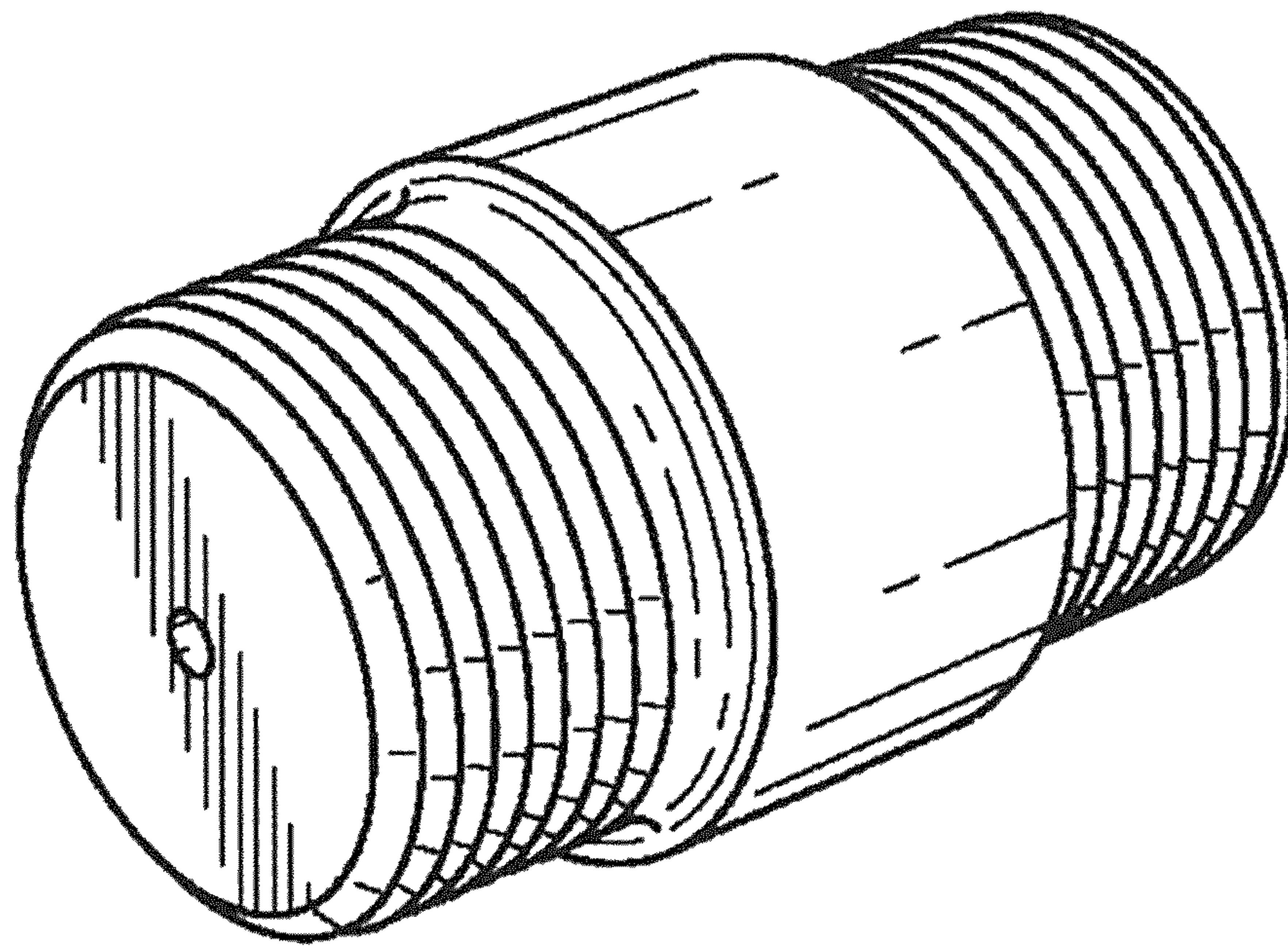
References Cited

U.S. PATENT DOCUMENTS

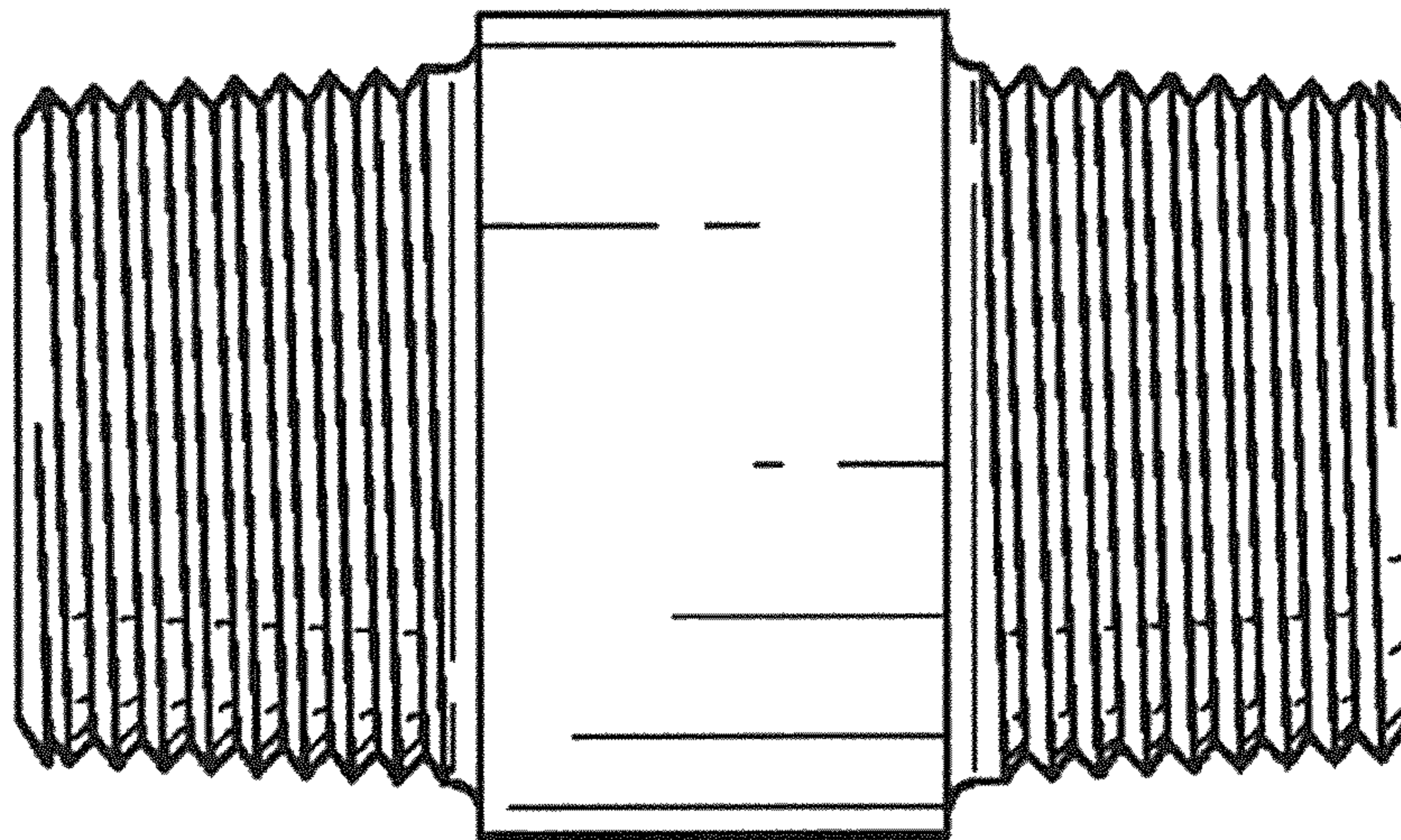
2002/0185282 A1* 12/2002 Kretschmer A62C 31/02
169/43
2003/0116091 A1 6/2003 Grant et al.
2011/0168899 A1* 7/2011 Cheshire G01F 23/288
250/357.1
2016/0174303 A1* 6/2016 Werner H05B 7/14
373/92

* cited by examiner

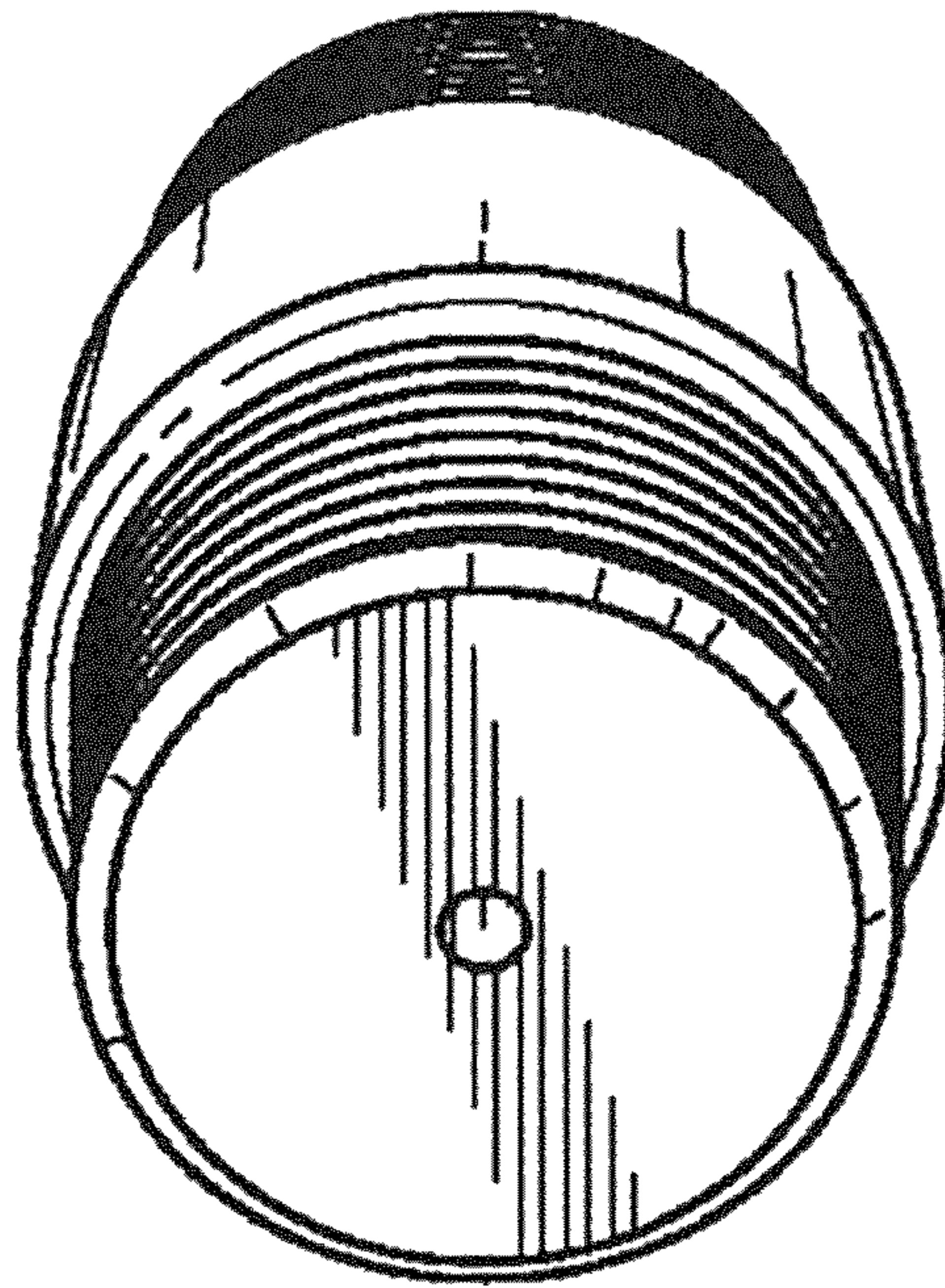
1.1



1.2



1.3



1.4

