



US00D822179S

(12) **United States Design Patent**  
**Kirar et al.**

(10) **Patent No.:** **US D822,179 S**  
(45) **Date of Patent:** **\*\* Jul. 3, 2018**

- (54) **HANDLE**
- (71) Applicant: **Kohler Co.**, Kohler, WI (US)
- (72) Inventors: **Laura K. Kirar**, Miami Beach, FL (US); **William C. McKeone**, Sheboygan, WI (US)
- (73) Assignee: **KOHLER CO.**, Kohler, WI (US)
- (\*\*) Term: **15 Years**
- (21) Appl. No.: **29/604,244**
- (22) Filed: **May 16, 2017**

D522,102 S *	5/2006	Fritz	.....	D23/252
D524,140 S	7/2006	Kirar		
D527,611 S *	9/2006	Sato	.....	D8/307
D527,980 S *	9/2006	Sato	.....	D8/307
D531,267 S	10/2006	Hundley		
D532,866 S	11/2006	Kirar		
D533,924 S	12/2006	Kirar		
D545,663 S *	7/2007	Sato	.....	D8/310
D564,634 S	3/2008	Kirar		
D570,453 S	6/2008	Tsai		
D579,525 S *	10/2008	Zhang	.....	D23/250
D580,523 S *	11/2008	Hanna	.....	D23/252
D581,025 S	11/2008	Schonherr		
D585,525 S *	1/2009	Ko	.....	D23/242
D619,872 S	7/2010	Singtoroj		
D627,441 S *	11/2010	Sedwick	.....	D23/252

(Continued)

**Related U.S. Application Data**

- (62) Division of application No. 29/540,144, filed on Sep. 21, 2015, now Pat. No. Des. 787,640.
- (51) **LOC (11) Cl.** ..... **23-01**
- (52) **U.S. Cl.**  
USPC ..... **D23/252**; D23/254
- (58) **Field of Classification Search**  
USPC ..... D23/238-242, 249-252, 254; D8/300, D8/305, 307-308  
CPC ..... E03C 1/04; E03C 1/0401; E03C 1/0402; E03C 1/0404  
See application file for complete search history.

**References Cited**

**U.S. PATENT DOCUMENTS**

D270,642 S *	9/1983	Watts	.....	D8/307
D318,904 S	8/1991	Hartkopf		
D334,230 S	3/1993	Bonnell		
D364,217 S *	11/1995	Dubin	.....	D23/252
D384,401 S	9/1997	Doughty		
5,813,708 A *	9/1998	Shen	.....	E05B 3/065 292/165
D509,126 S *	9/2005	Vilallonga Kirovac	.....	D8/308
D513,791 S *	1/2006	Kosasih	.....	D23/252

*Primary Examiner* — Robert A Delehanty

(74) *Attorney, Agent, or Firm* — Foley & Lardner LLP

(57) **CLAIM**

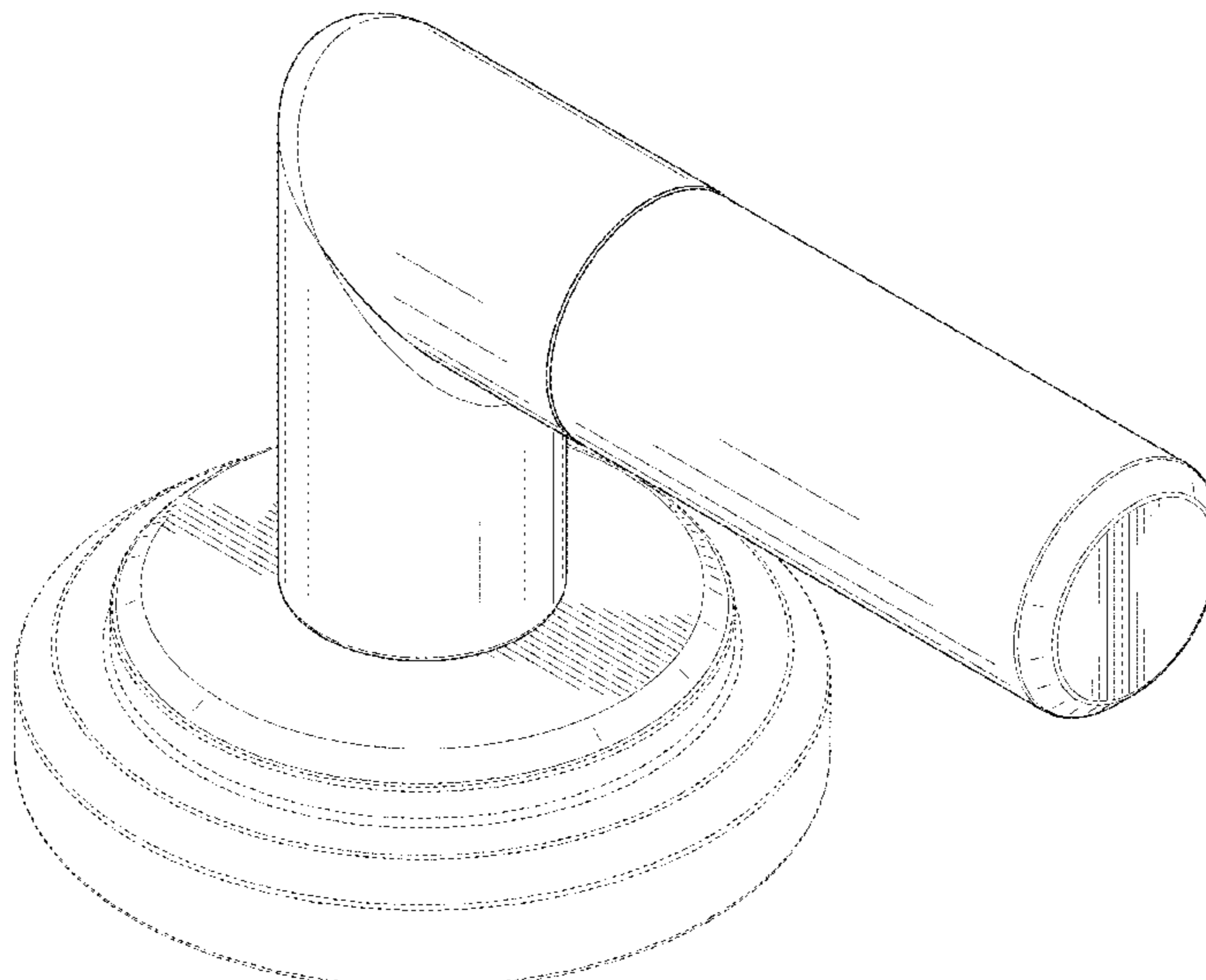
We claim the ornamental design for a handle, as shown and described.

**DESCRIPTION**

FIG. 1 is a perspective view of an embodiment of the claimed design;  
FIG. 2 is a front view thereof;  
FIG. 3 is a rear view thereof;  
FIG. 4 is a side view thereof;  
FIG. 5 is a top view thereof; and,  
FIG. 6 is a bottom view thereof.

The ornamental design which is claimed is shown in solid lines in the drawings. The broken lines in the drawings form no part of the claimed design. Broken lines formed by equal length dashes show unclaimed subject matter. Broken lines formed by unequal length dashes (i.e., dash-dot) define bounds of the claimed design. Broken away symbols having a jagged element show that no particular length of the portion is claimed.

**1 Claim, 6 Drawing Sheets**



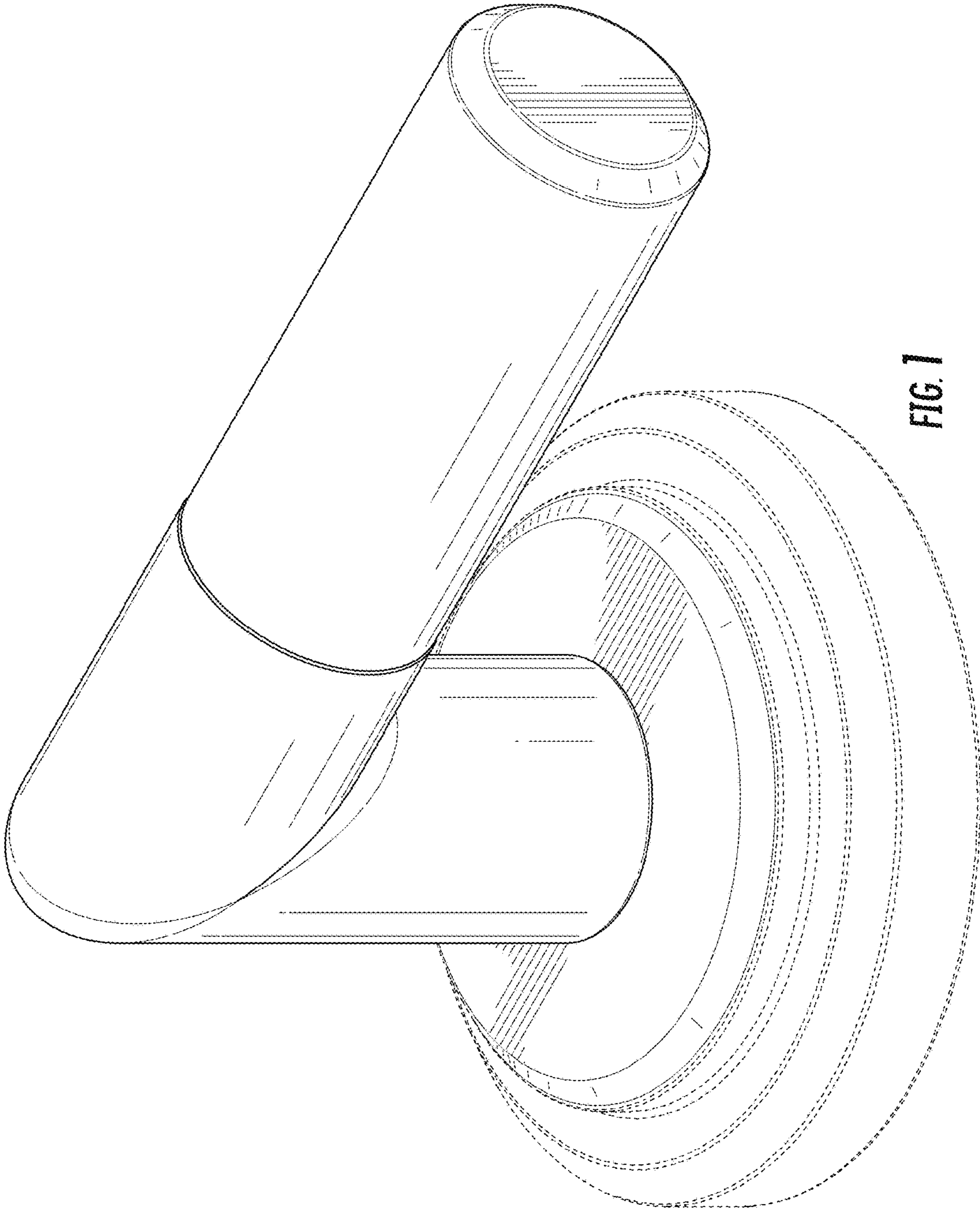
(56)

**References Cited**

U.S. PATENT DOCUMENTS

D634,815	S *	3/2011	Barry	.....	D23/252
D664,630	S *	7/2012	Fritz	.....	D23/252
D666,277	S	8/2012	Schaefer		
8,235,431	B2	8/2012	Williamson		
D684,669	S	6/2013	Eilmus		
D685,878	S	7/2013	Fritz		
D698,220	S *	1/2014	Watson	.....	D8/308
D699,970	S *	2/2014	Sedwick	.....	D6/524
D714,912	S	10/2014	Barry		
D737,652	S *	9/2015	Harden	.....	D8/302
D738,468	S *	9/2015	Bahler	.....	D23/242
D741,453	S	10/2015	Bahler		
D745,359	S *	12/2015	Sun	.....	D8/308
D752,163	S *	3/2016	Eder	.....	D21/694
D755,604	S *	5/2016	Harden	.....	D8/302
D772,684	S *	11/2016	Zimmer	.....	D8/307
D785,436	S *	5/2017	Carlino	.....	D8/308
D787,640	S *	5/2017	Kirar	.....	D23/252
2010/0019516	A1 *	1/2010	Williamson	.....	E05B 1/003 292/336.3
2016/0002954	A1 *	1/2016	Ali	.....	E05B 53/003 292/336.3

\* cited by examiner



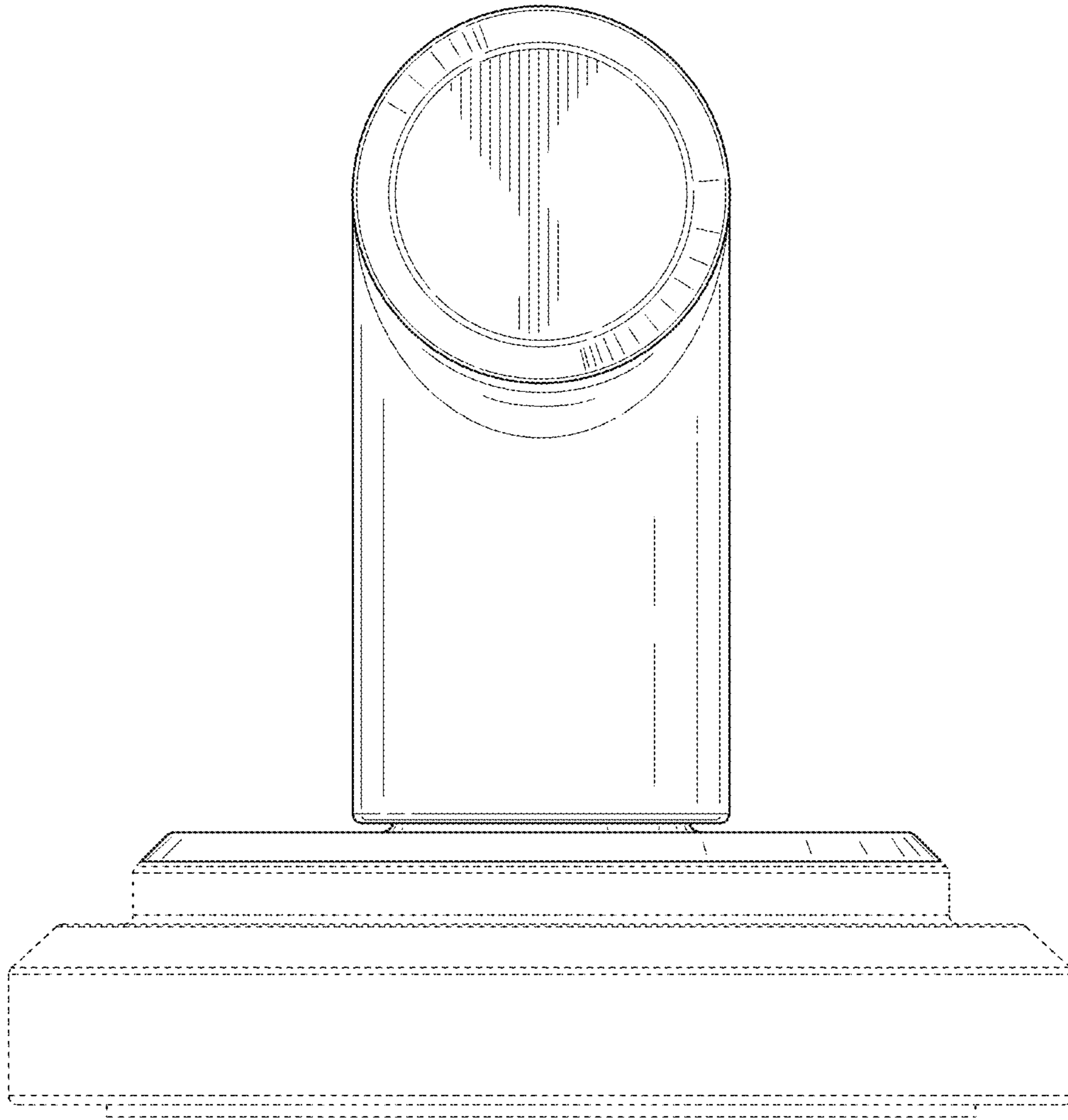
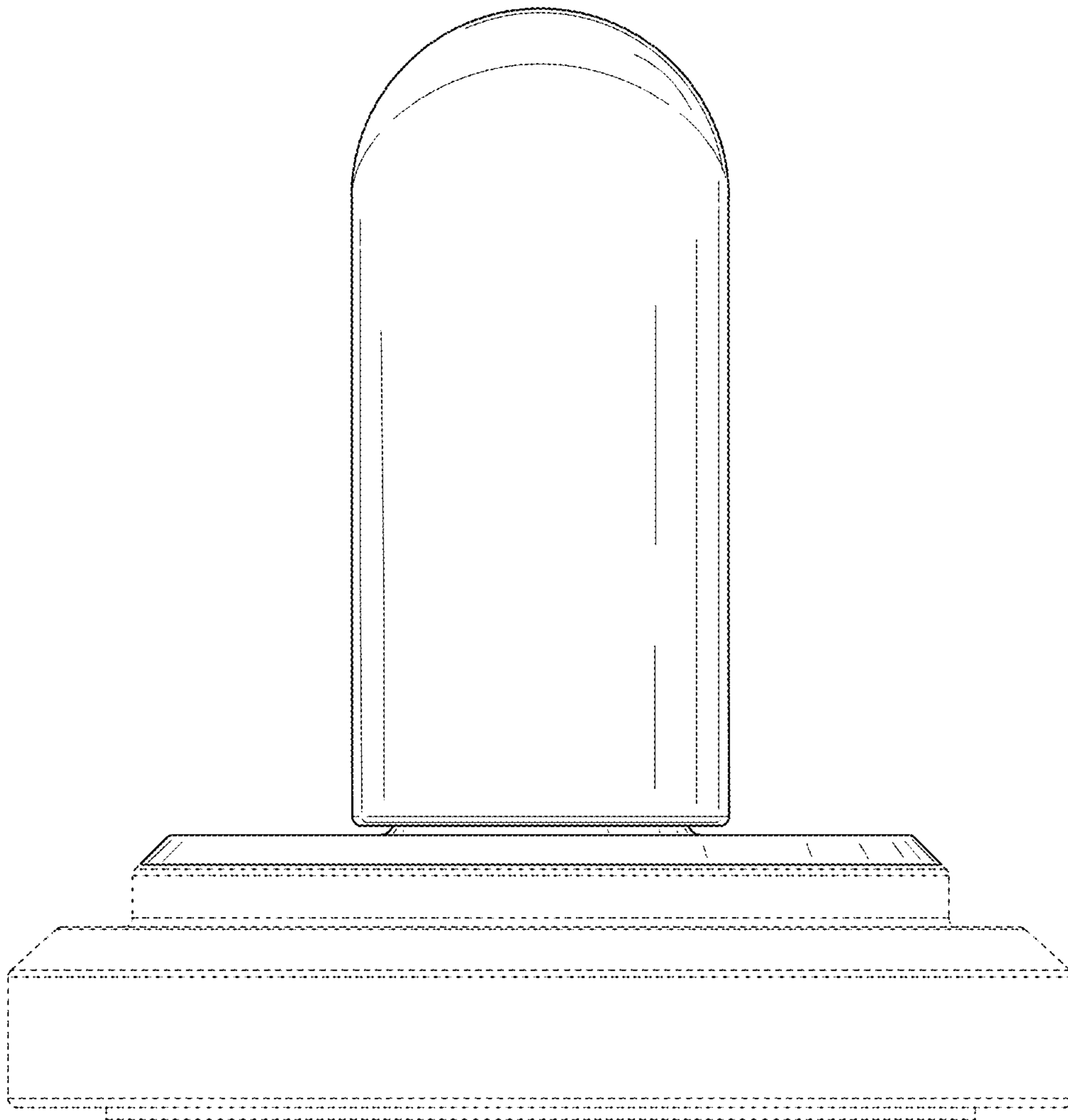


FIG. 2



**FIG. 3**



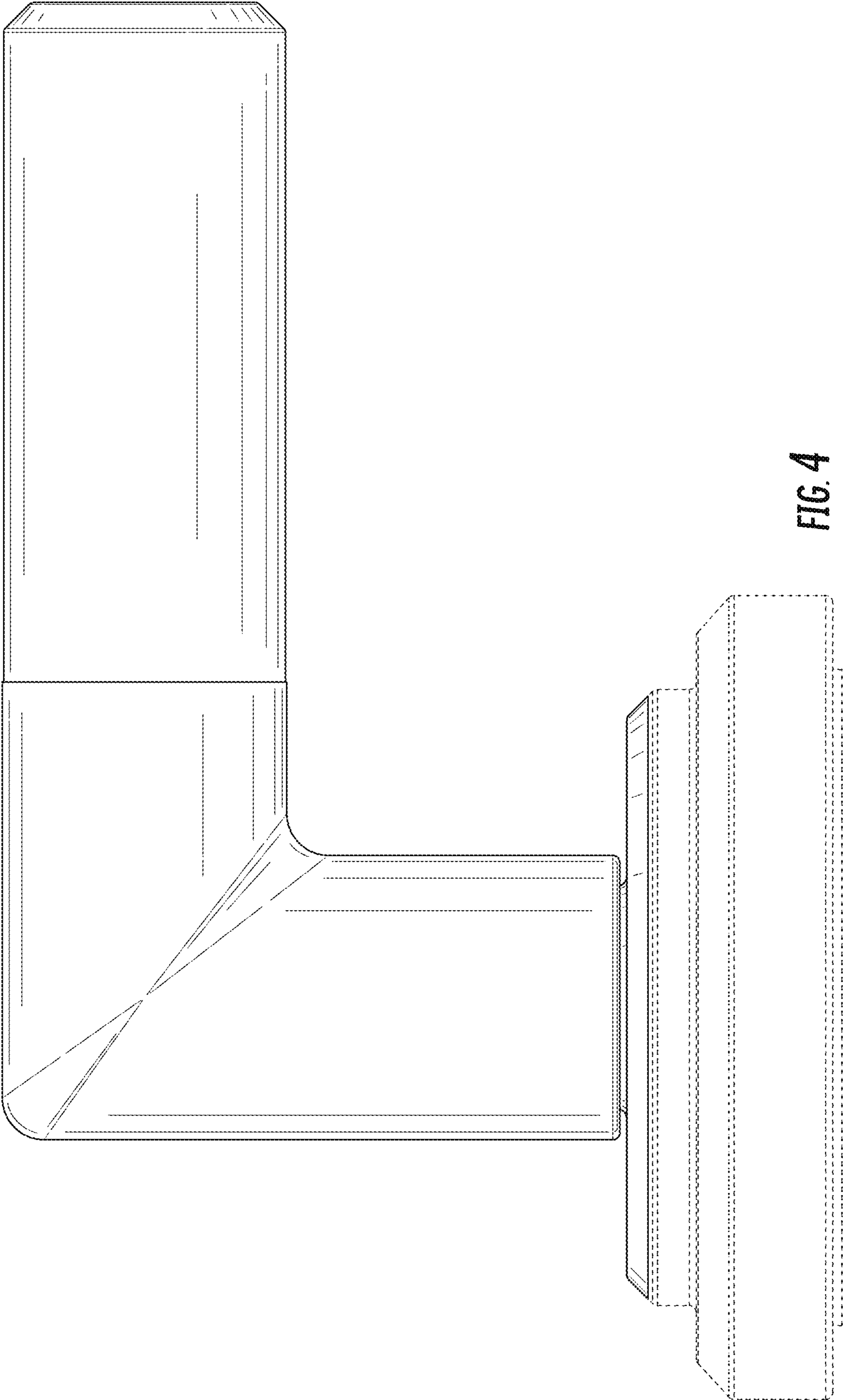


FIG. 4

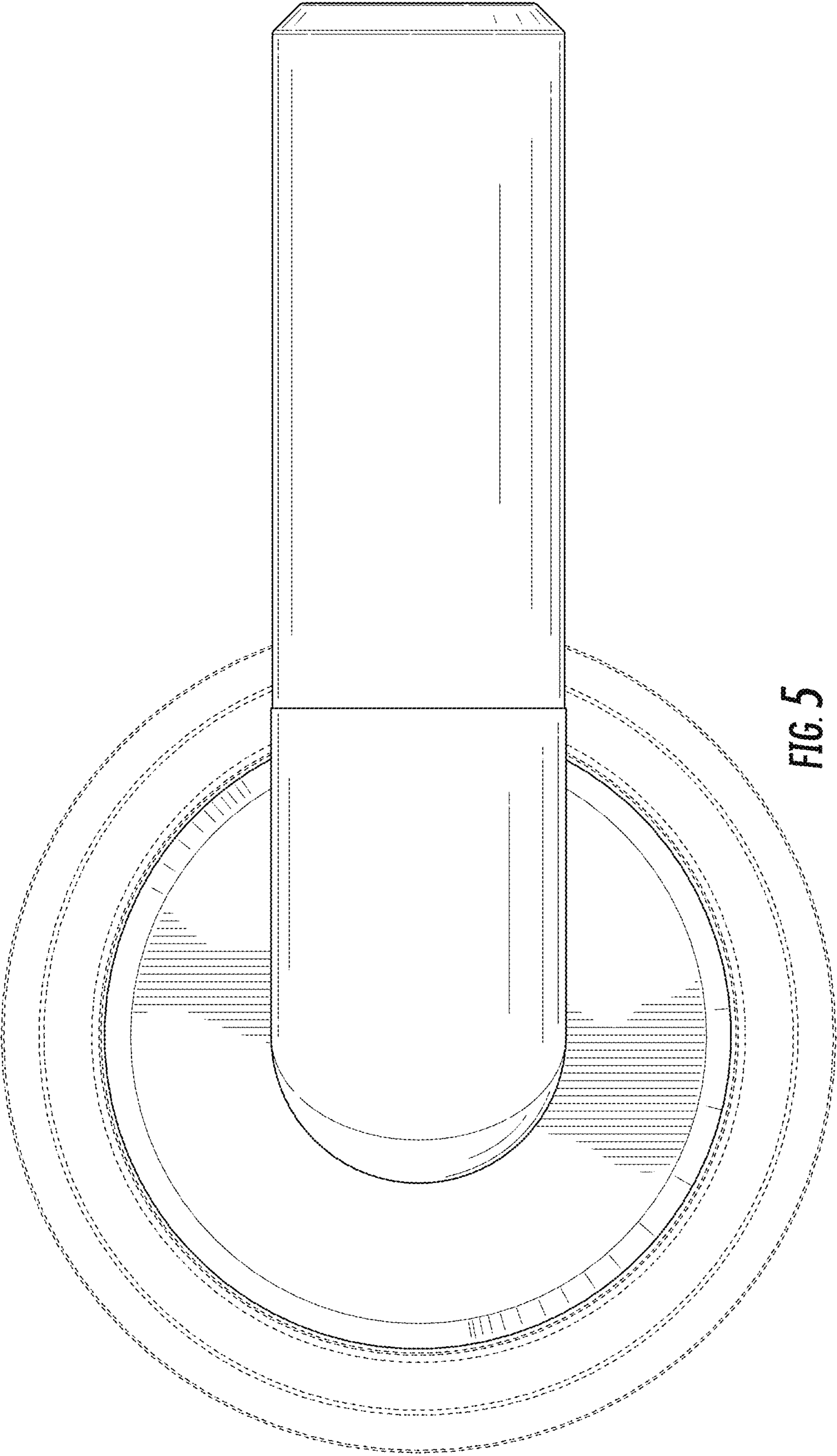


FIG. 5

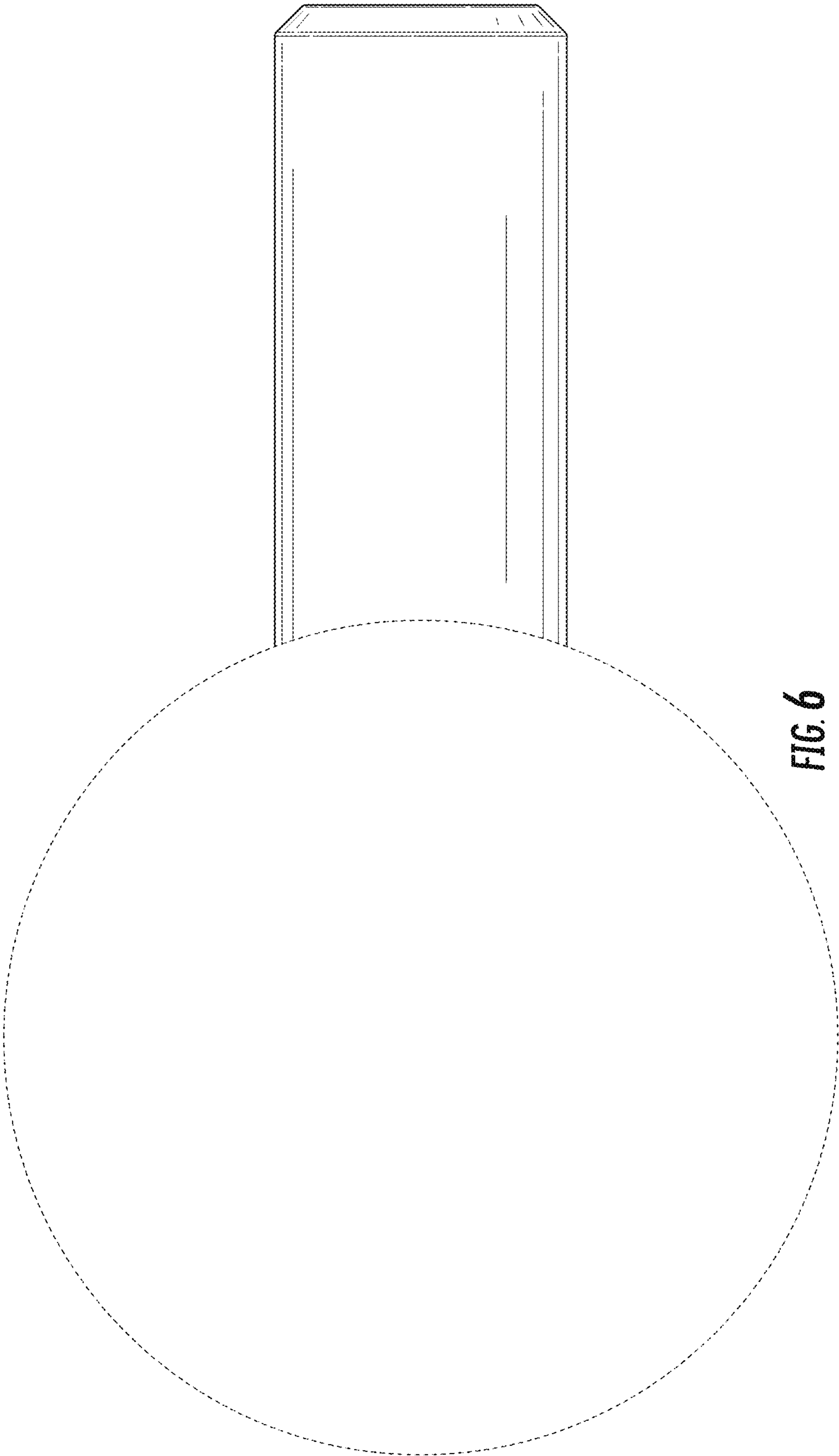


FIG. 6