



US00D822178S

(12) **United States Design Patent** (10) **Patent No.:** **US D822,178 S**  
**Clarke et al.** (45) **Date of Patent:** **\*\* Jul. 3, 2018**

- (54) **FAUCET HANDLE**
- (71) Applicant: **Kohler Co.**, Kohler, WI (US)
- (72) Inventors: **Gary N. Clarke**, Sheboygan, WI (US);  
**Brian M. Kaule**, Yardley, PA (US)
- (73) Assignee: **KOHLER CO.**, Kohler, WI (US)
- (\*\*) Term: **15 Years**
- (21) Appl. No.: **29/622,558**
- (22) Filed: **Oct. 18, 2017**

D576,710 S	9/2008	Fritz	
D583,021 S	12/2008	Downey	
D594,532 S	6/2009	Schoenherr	
D622,819 S	8/2010	Tippens et al.	
D630,712 S	1/2011	Tippens et al.	
D648,002 S	* 11/2011	Jones .....	D23/252
D651,692 S	* 1/2012	Vanderheyden .....	D23/252
D683,428 S	5/2013	Kwok	
D683,429 S	5/2013	Kwok	
D683,821 S	6/2013	Reuter	
D704,027 S	5/2014	Trunek	
D713,508 S	9/2014	Downey	
D717,401 S	11/2014	Fritz	
D721,164 S	1/2015	Georgeson	
D786,404 S	* 5/2017	Kaule .....	D23/238
D797,247 S	* 9/2017	Zhang .....	D23/242

**Related U.S. Application Data**

- (62) Division of application No. 29/603,056, filed on May 5, 2017, now Pat. No. Des. 803,990, which is a division of application No. 29/542,967, filed on Oct. 20, 2015, now Pat. No. Des. 786,407.
- (51) **LOC (11) Cl.** ..... **23-01**
- (52) **U.S. Cl.**  
USPC ..... **D23/250**
- (58) **Field of Classification Search**  
USPC ..... D23/238-243, 249-250, 252, 254;  
D8/307-308  
CPC ..... Y10T 137/9464  
See application file for complete search history.

**References Cited**

**U.S. PATENT DOCUMENTS**

D346,205 S	4/1994	Sauter	
D407,144 S	3/1999	Formgren	
D444,860 S	7/2001	Slothower	
D512,126 S	* 11/2005	Blomstrom .....	D23/241
D528,838 S	9/2006	Berberet	
D532,486 S	11/2006	Barry	
D535,359 S	1/2007	Koury	
D570,449 S	6/2008	Lee	
D571,897 S	6/2008	Hanna	

\* cited by examiner

*Primary Examiner* — Robert A Delehanty

(74) *Attorney, Agent, or Firm* — Foley & Lardner LLP

(57) **CLAIM**

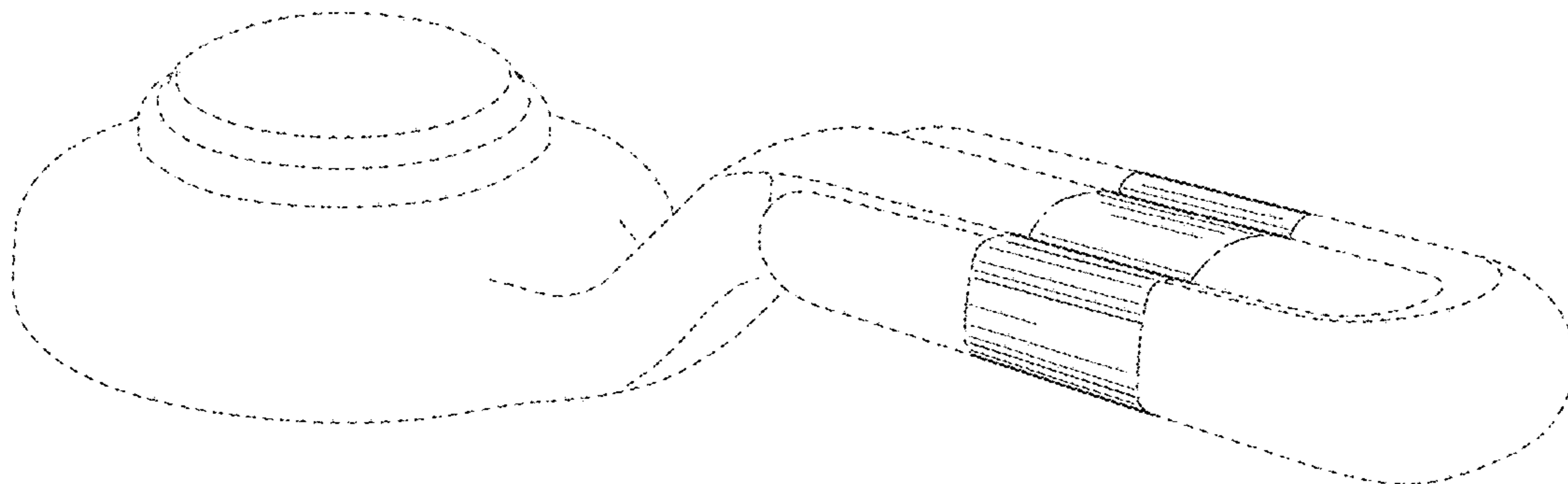
We claim the ornamental design for a faucet handle, as shown and described.

**DESCRIPTION**

FIG. 1 is a top, front, left perspective view of an embodiment of the claimed design;  
 FIG. 2 is a front elevation view thereof;  
 FIG. 3 is a rear elevation view thereof;  
 FIG. 4 is a right side elevation view thereof;  
 FIG. 5 is a left side elevation view thereof;  
 FIG. 6 is a top plan view thereof; and,  
 FIG. 7 is a bottom plan view thereof.

The ornamental design which is claimed is shown in solid lines in the drawings. The broken lines in the drawings form no part of the claimed design. Broken lines formed by equal length dashes show unclaimed subject matter. Broken lines formed of unequal length dashes (i.e., dash-dot) define bounds of the claimed design.

**1 Claim, 7 Drawing Sheets**



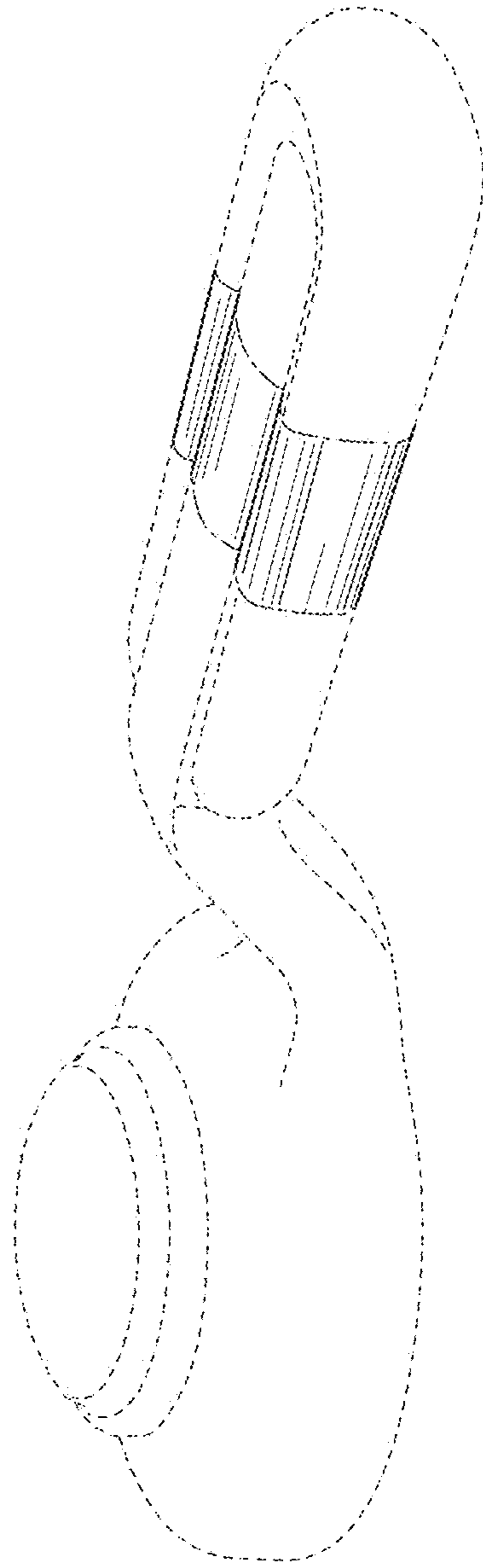


FIG. 1

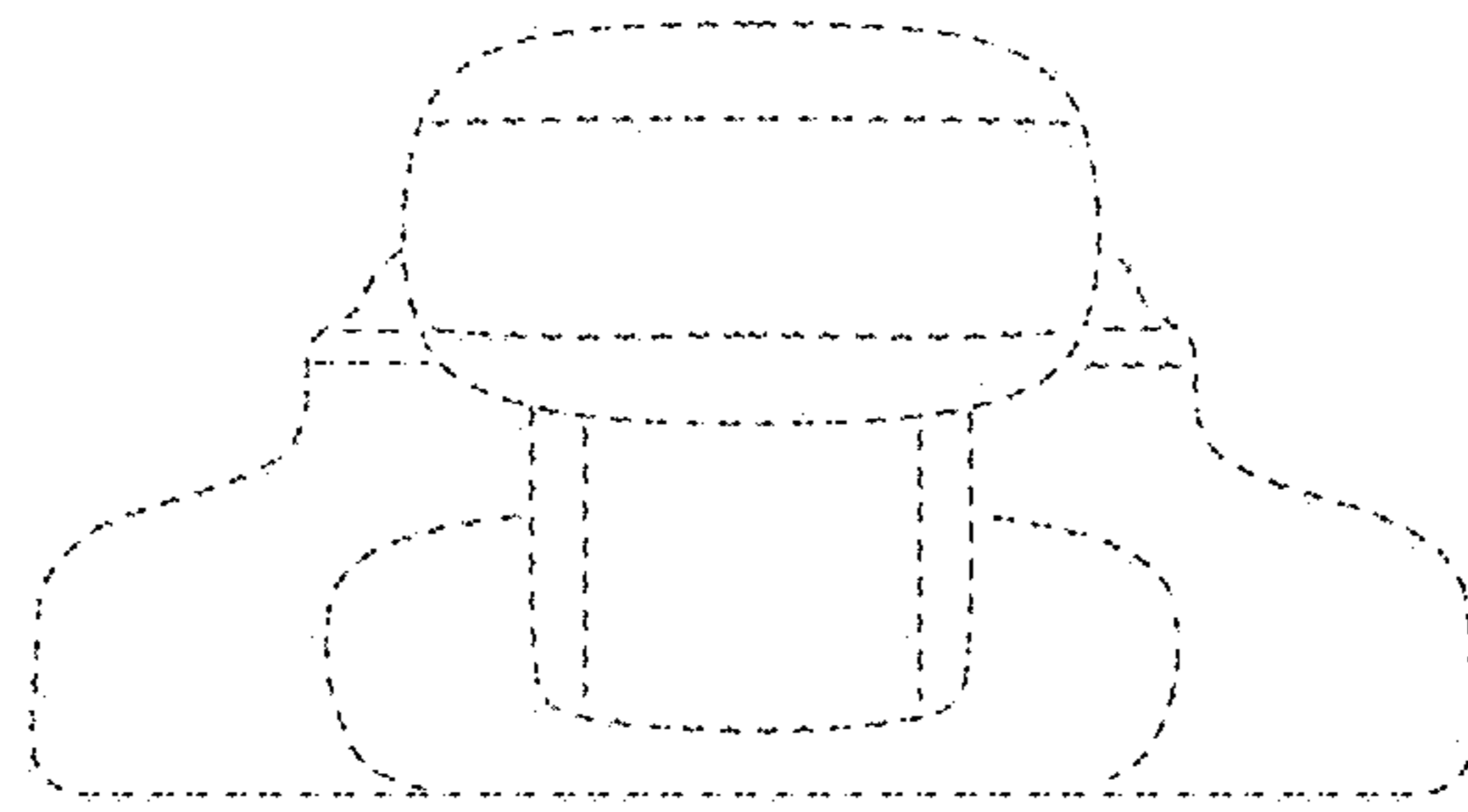
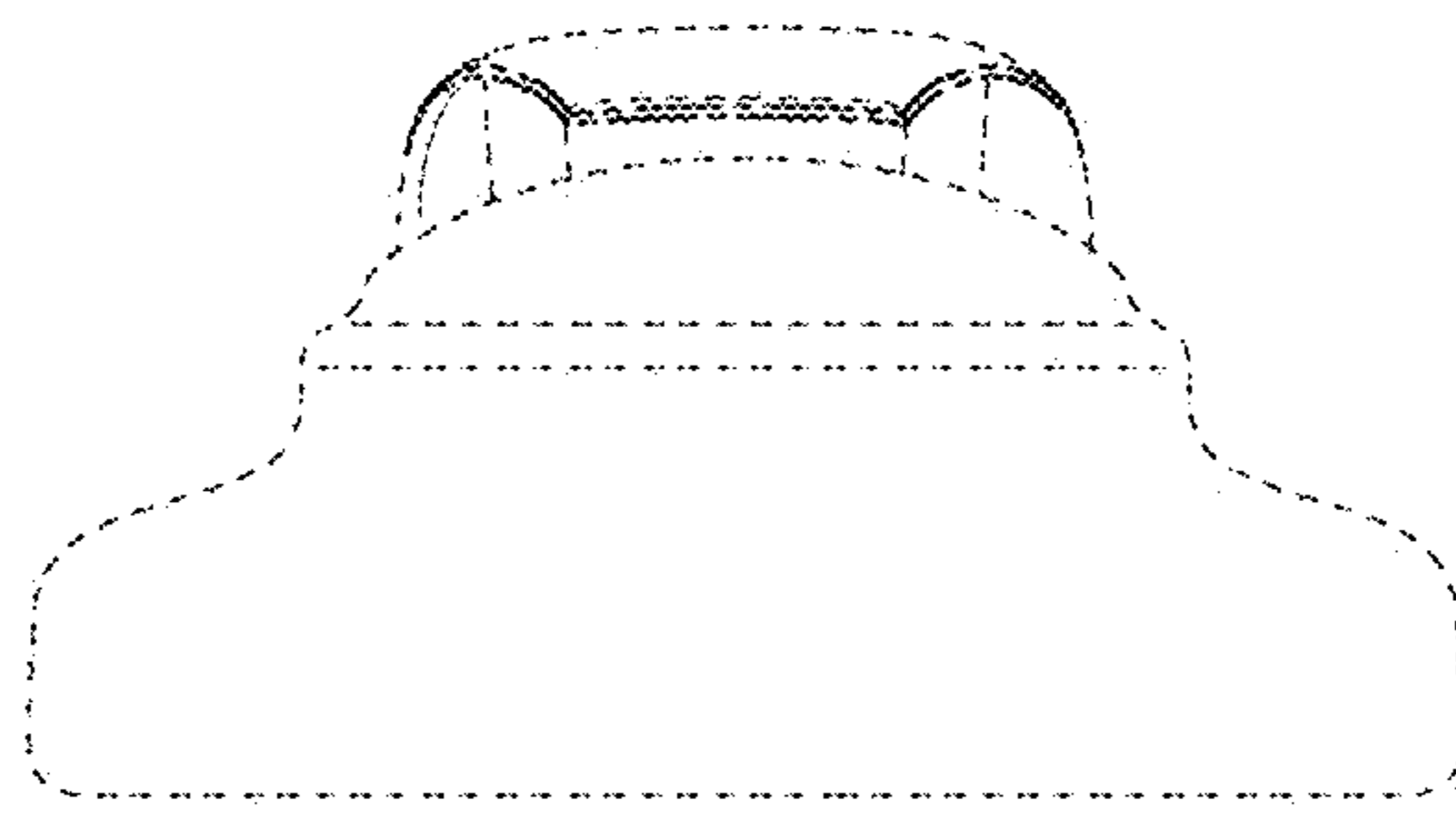


FIG. 2



**FIG. 3**

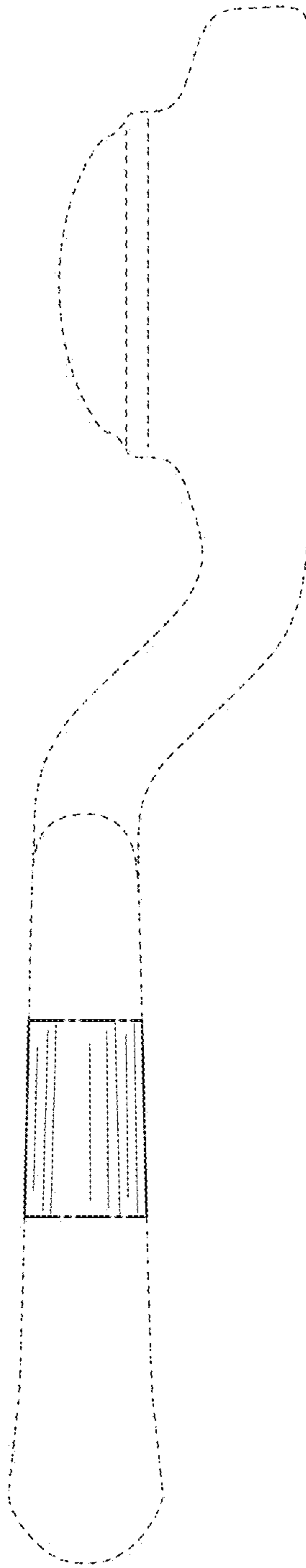


FIG. 4

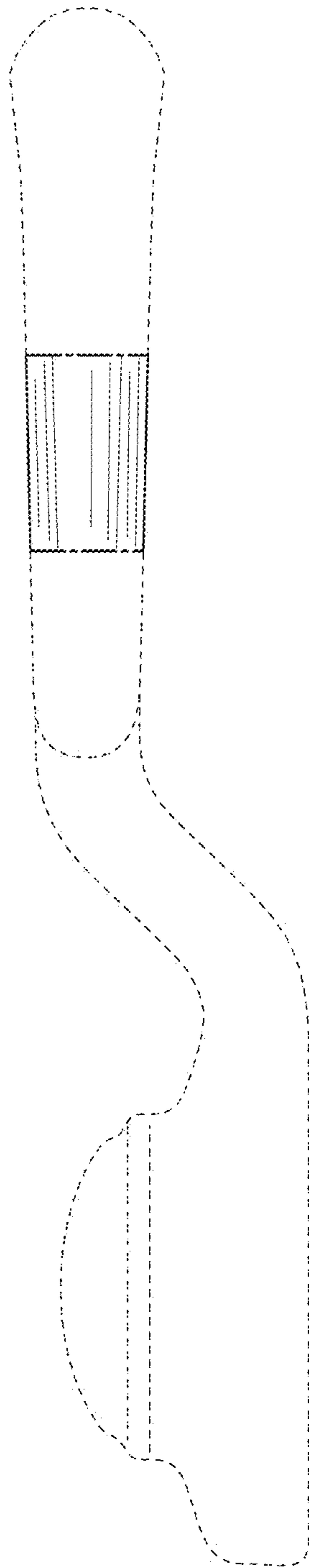


FIG. 5

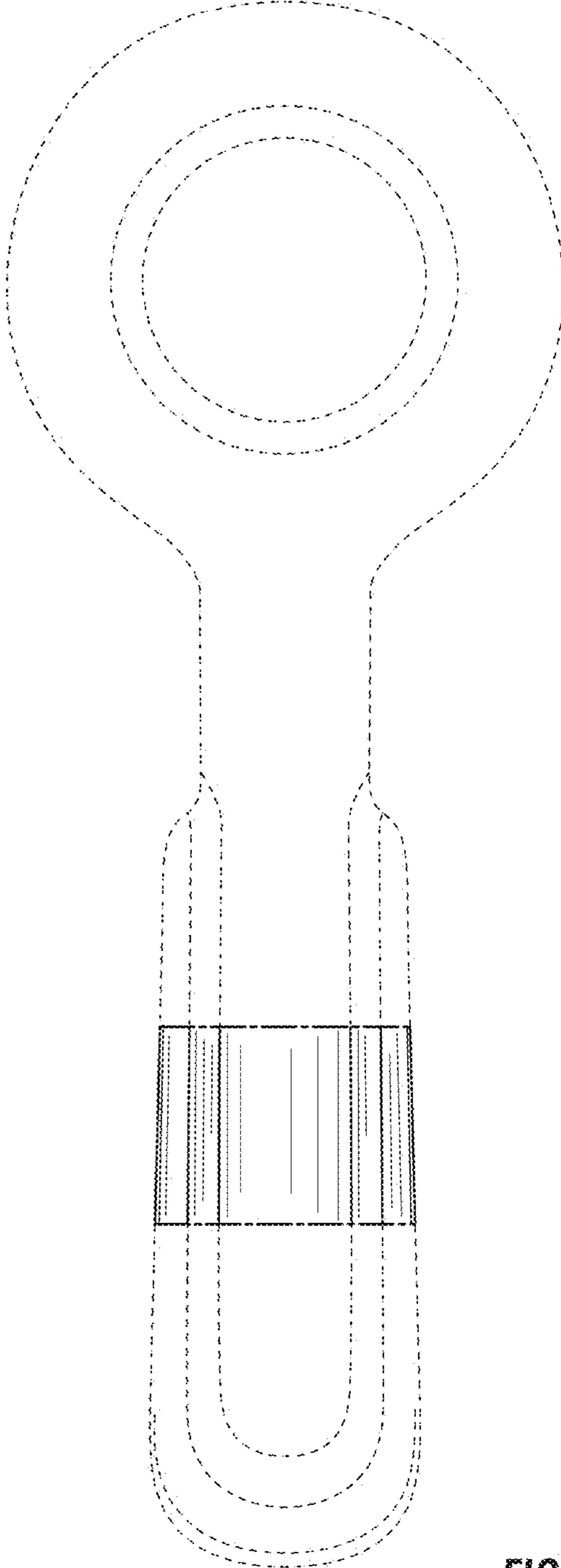
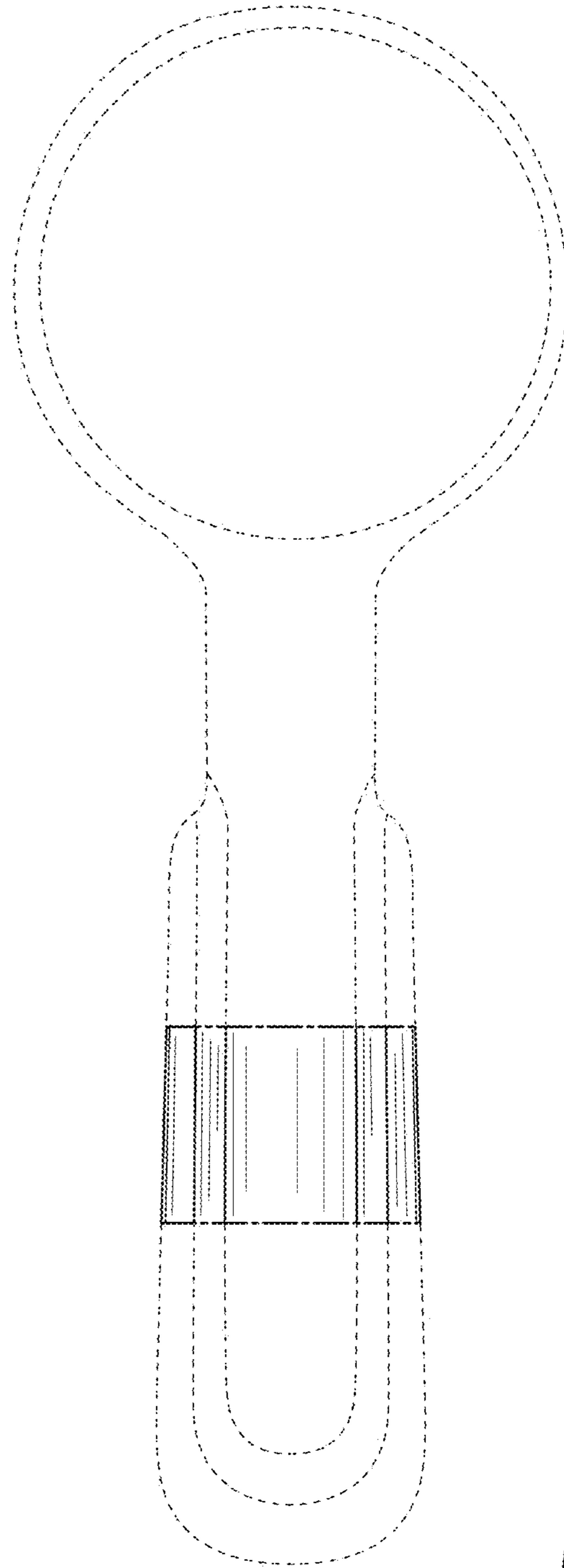


FIG. 6



**FIG. 7**