



US00D822176S

(12) **United States Design Patent**  
**Thun et al.**

(10) **Patent No.:** **US D822,176 S**  
(45) **Date of Patent:** **\*\* Jul. 3, 2018**

(54) **HANDLE FOR FAUCET**  
(71) Applicant: **Fratelli Fantini S.p.A.**, Pella NO (IT)  
(72) Inventors: **Matteo Thun**, Milan (IT); **Antonio Rodriguez**, Milan (IT)  
(73) Assignee: **FRATELLI FANTINI S.P.A.**, Pella NO (IT)  
(\*\*) Term: **15 Years**  
(21) Appl. No.: **29/580,539**  
(22) Filed: **Oct. 11, 2016**

D337,373 S \* 7/1993 Gottwald ..... D23/250  
D597,632 S \* 8/2009 Obara ..... D23/250  
D731,623 S \* 6/2015 Flowers ..... D23/252

\* cited by examiner

*Primary Examiner* — Robert A Delehanty  
(74) *Attorney, Agent, or Firm* — Nixon & Vanderhye, PC

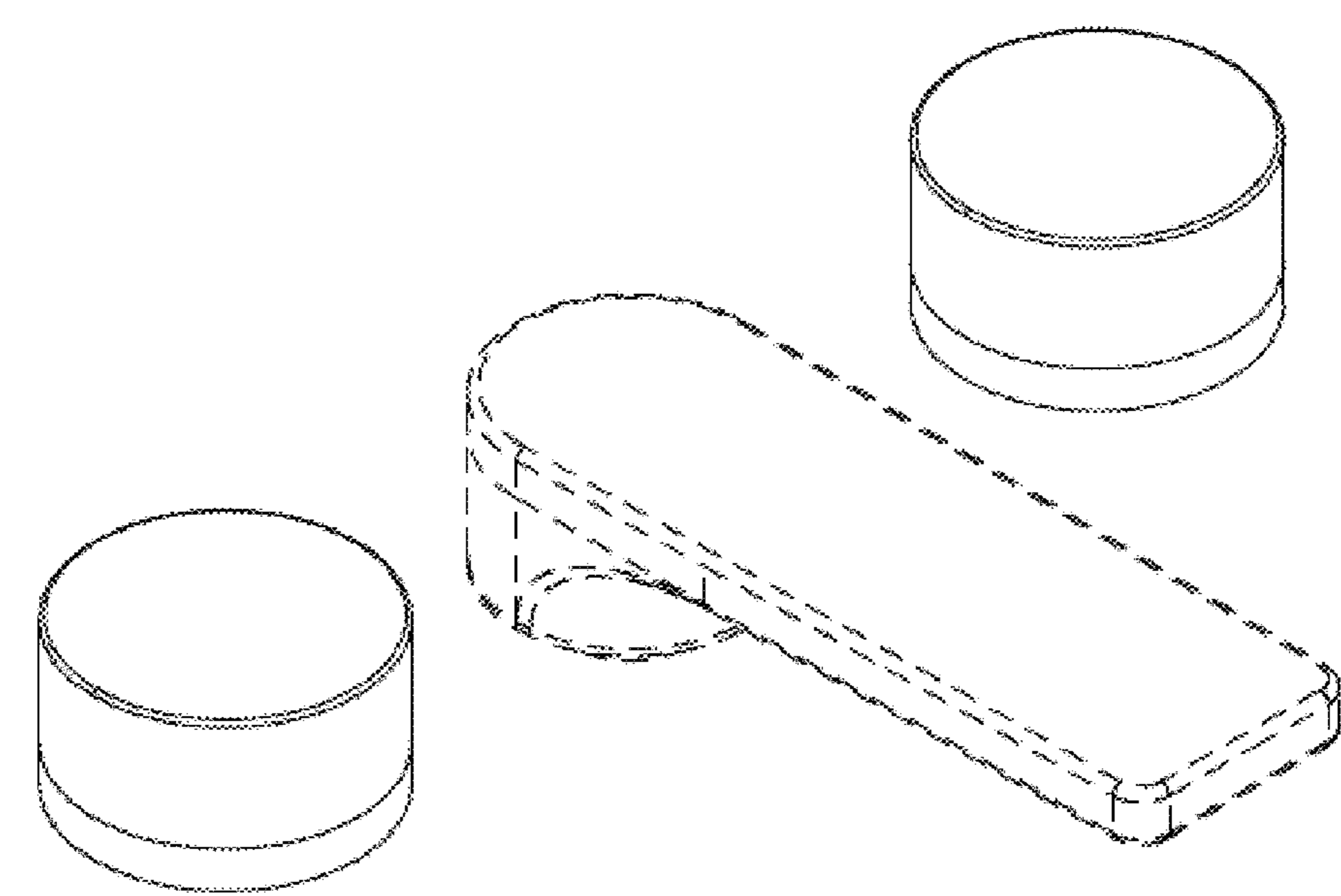
(30) **Foreign Application Priority Data**  
Apr. 11, 2016 (EM) ..... 003064252-0012  
(51) **LOC (11) Cl.** ..... **23-01**  
(52) **U.S. Cl.**  
USPC ..... **D23/250**  
(58) **Field of Classification Search**  
USPC ..... D23/238–243, 249–250, 252, 254, 224;  
D8/307–308; D7/393  
CPC ..... Y10T 137/9464  
See application file for complete search history.

(57) **CLAIM**  
The ornamental design for a handle for faucet, as shown and described.

(56) **References Cited**  
U.S. PATENT DOCUMENTS  
D298,731 S \* 11/1988 Cook ..... D8/310  
D326,899 S \* 6/1992 Haug ..... D23/250  
D326,900 S \* 6/1992 Haug ..... D23/250

**DESCRIPTION**  
FIG. 1 is a plan view of the bottom of the faucet showing my new handle design with bottom surfaces of flat planar configuration;  
FIG. 2 is an elevational view of the rear thereof;  
FIG. 3 is an elevational view of one side thereof;  
FIG. 4 is an elevational view of the front thereof;  
FIG. 5 is a plan view of the top thereof; and,  
FIG. 6 is a perspective view of the spout and handles thereof. The spout of the faucet shown in broken lines in the drawings forms no part of the present design.

**1 Claim, 6 Drawing Sheets**



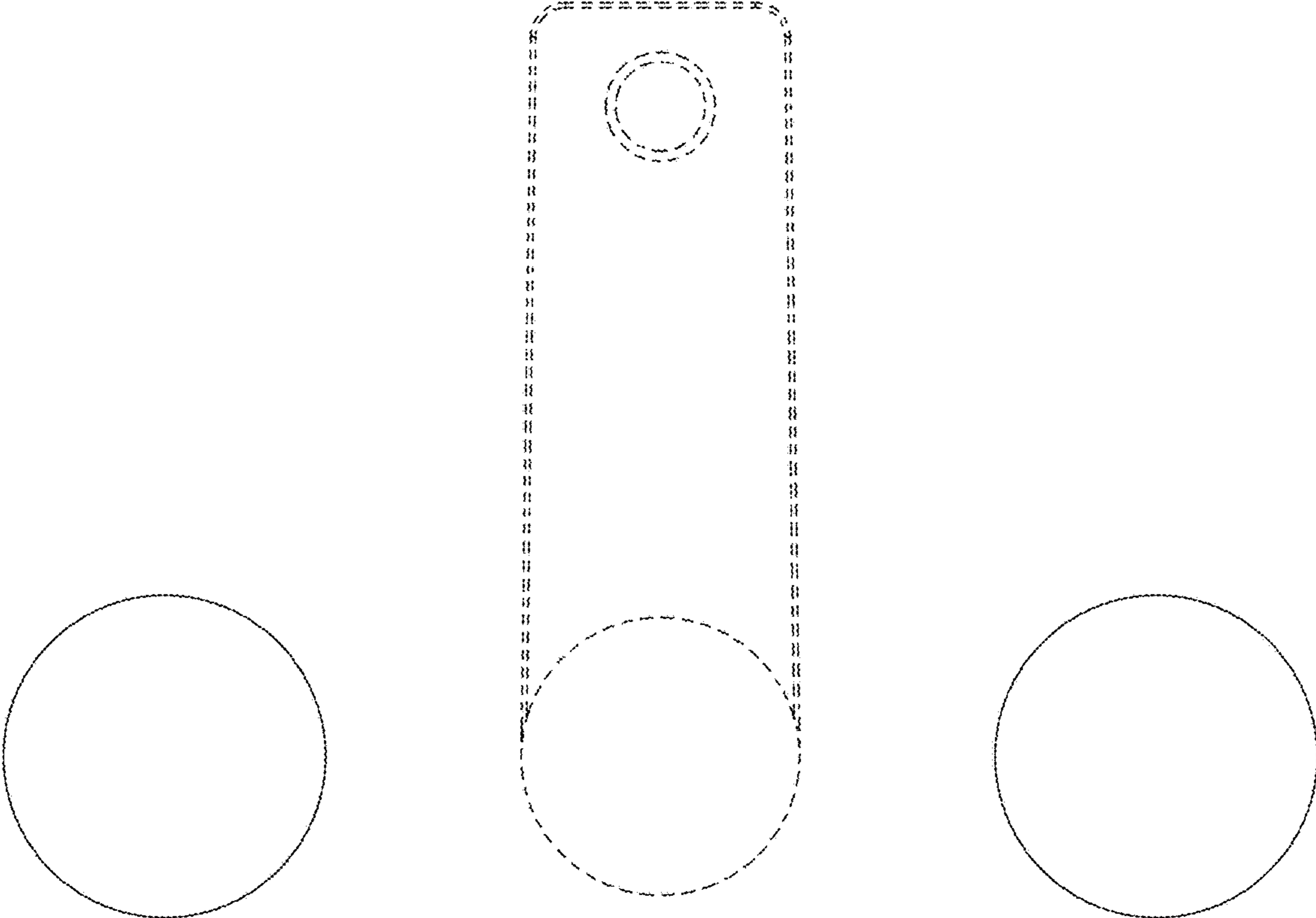


Figure 1

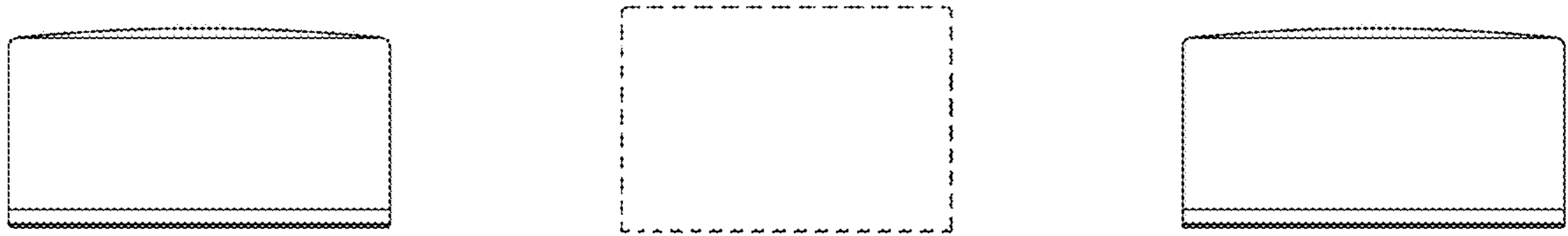


Figure 2

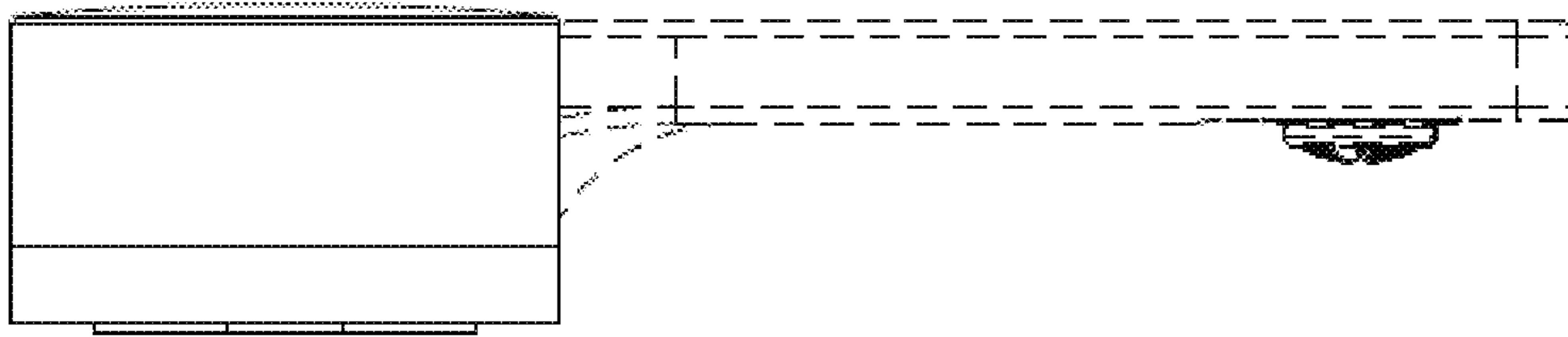


Figure 3



Figure 4

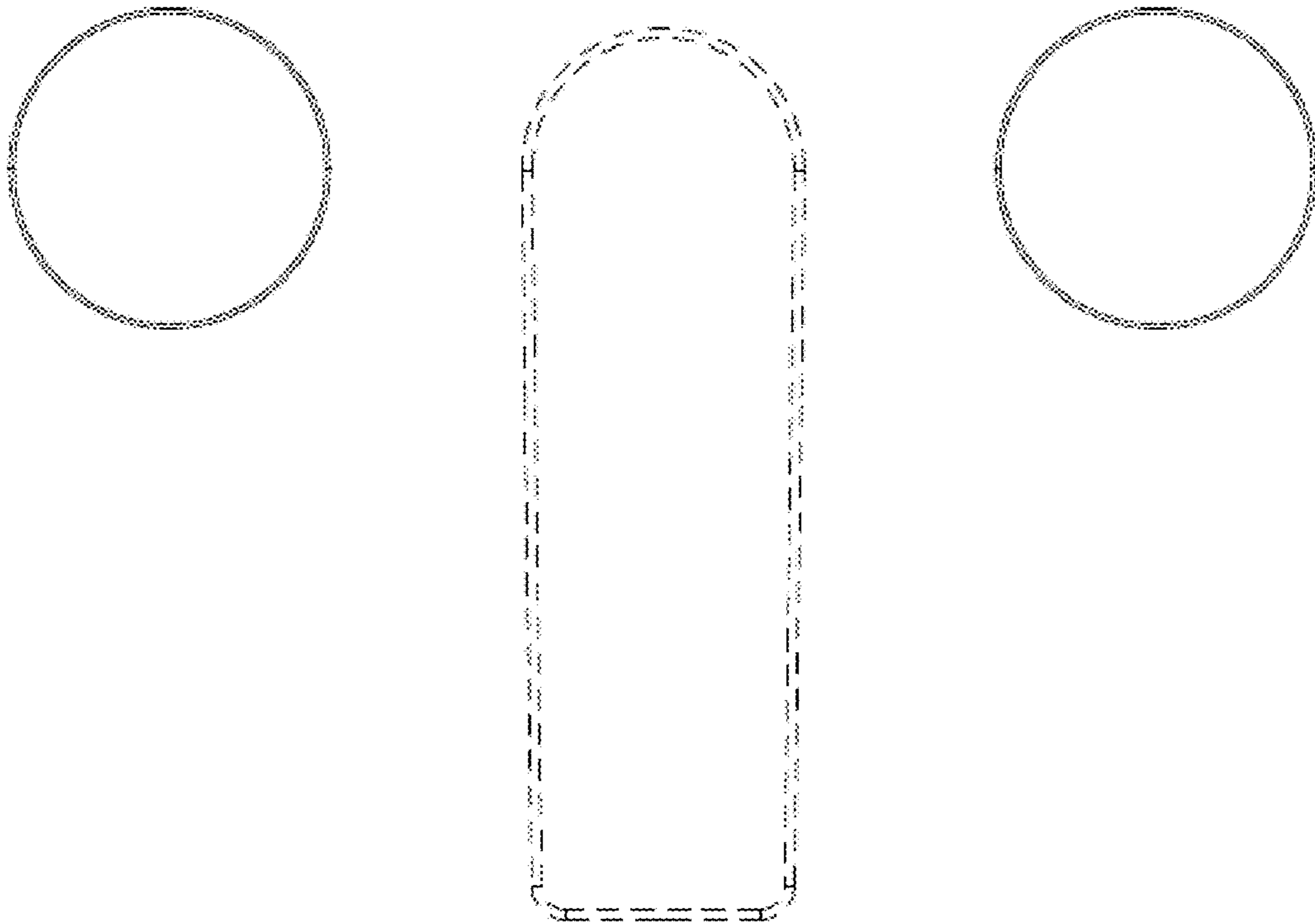


Figure 5

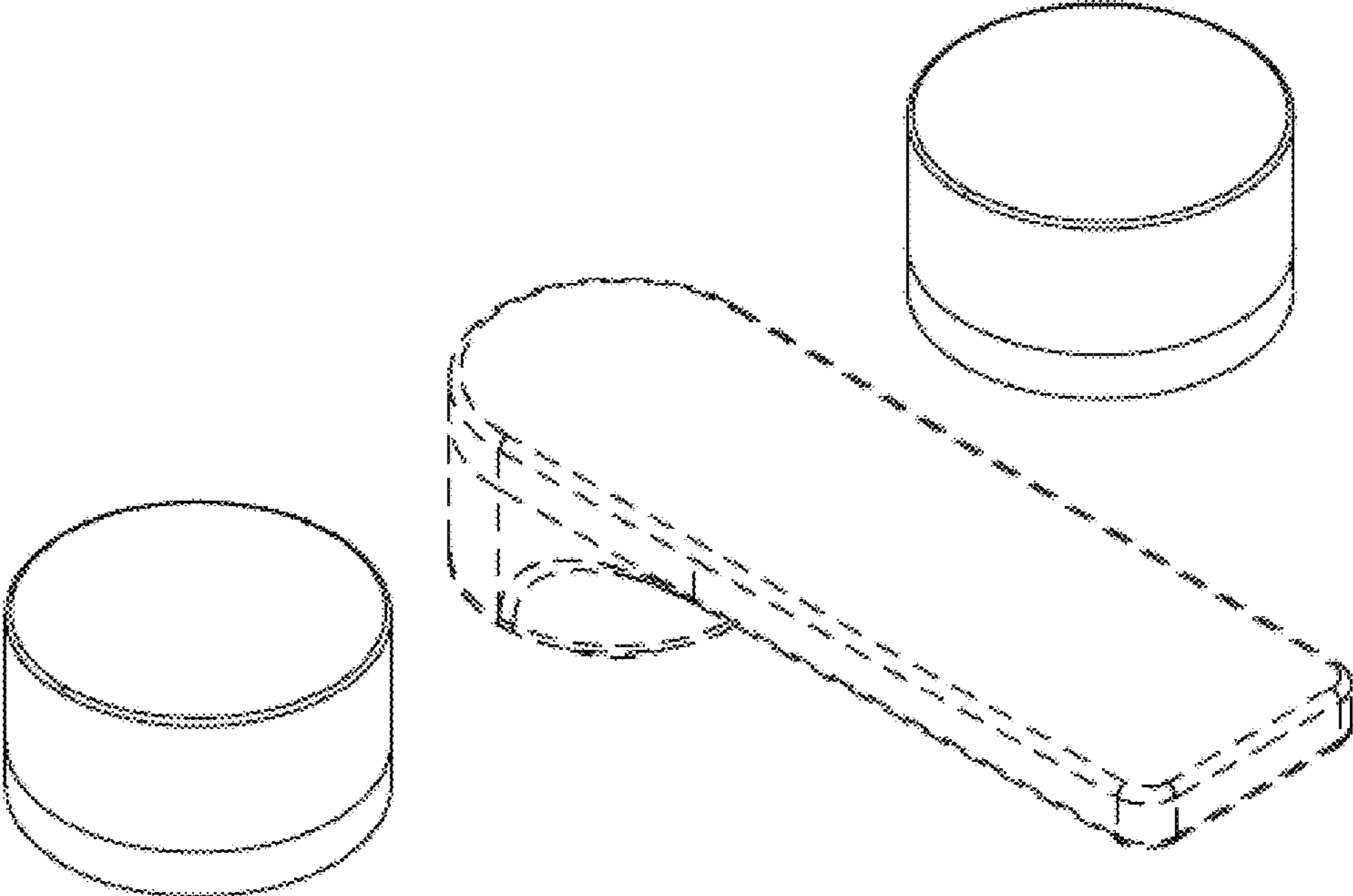


Figure 6