



US00D822175S

(12) **United States Design Patent**
Darby

(10) **Patent No.:** **US D822,175 S**
(45) **Date of Patent:** **** Jul. 3, 2018**

- (54) **FAUCET COVER**
- (71) Applicant: **Nation Wide Products LLC**, Abilene, TX (US)
- (72) Inventor: **Jason Darby**, Abilene, TX (US)
- (73) Assignee: **Nation Wide Products LLC**, Abilene, TX (US)

4,244,394 A *	1/1981	Hartselle, III	F16K 27/12 137/375
4,456,027 A *	6/1984	Belgard	F16K 27/08 137/375
4,577,655 A *	3/1986	Carroll	F16K 49/00 137/375
D290,990 S *	7/1987	Izzi	D23/249
D417,491 S *	12/1999	Frazer	D23/303
D757,224 S *	5/2016	Reinhart	D23/249
2012/0067439 A1 *	3/2012	Vulpitta	E03B 9/027 137/381

(**) Term: **15 Years**

* cited by examiner

(21) Appl. No.: **29/608,430**

Primary Examiner — Cynthia Ramirez

(22) Filed: **Jun. 21, 2017**

Assistant Examiner — Gino Colan

(51) **LOC (11) Cl.** **23-01**

(74) *Attorney, Agent, or Firm* — Norton Rose Fulbright
US LLP

(52) **U.S. Cl.**
USPC **D23/249**

(57) **CLAIM**

(58) **Field of Classification Search**
USPC D23/233, 238, 242, 245, 246, 249, 250,
D23/303, 260, 227; 137/382, 381, 377,
137/800, 375
CPC F16K 27/12; F16K 31/605; F16K 35/10;
F16K 49/00; E03C 2001/321; A47K
3/005; E03B 7/12; F16L 59/161
See application file for complete search history.

The ornamental design for a faucet cover, as shown and described.

DESCRIPTION

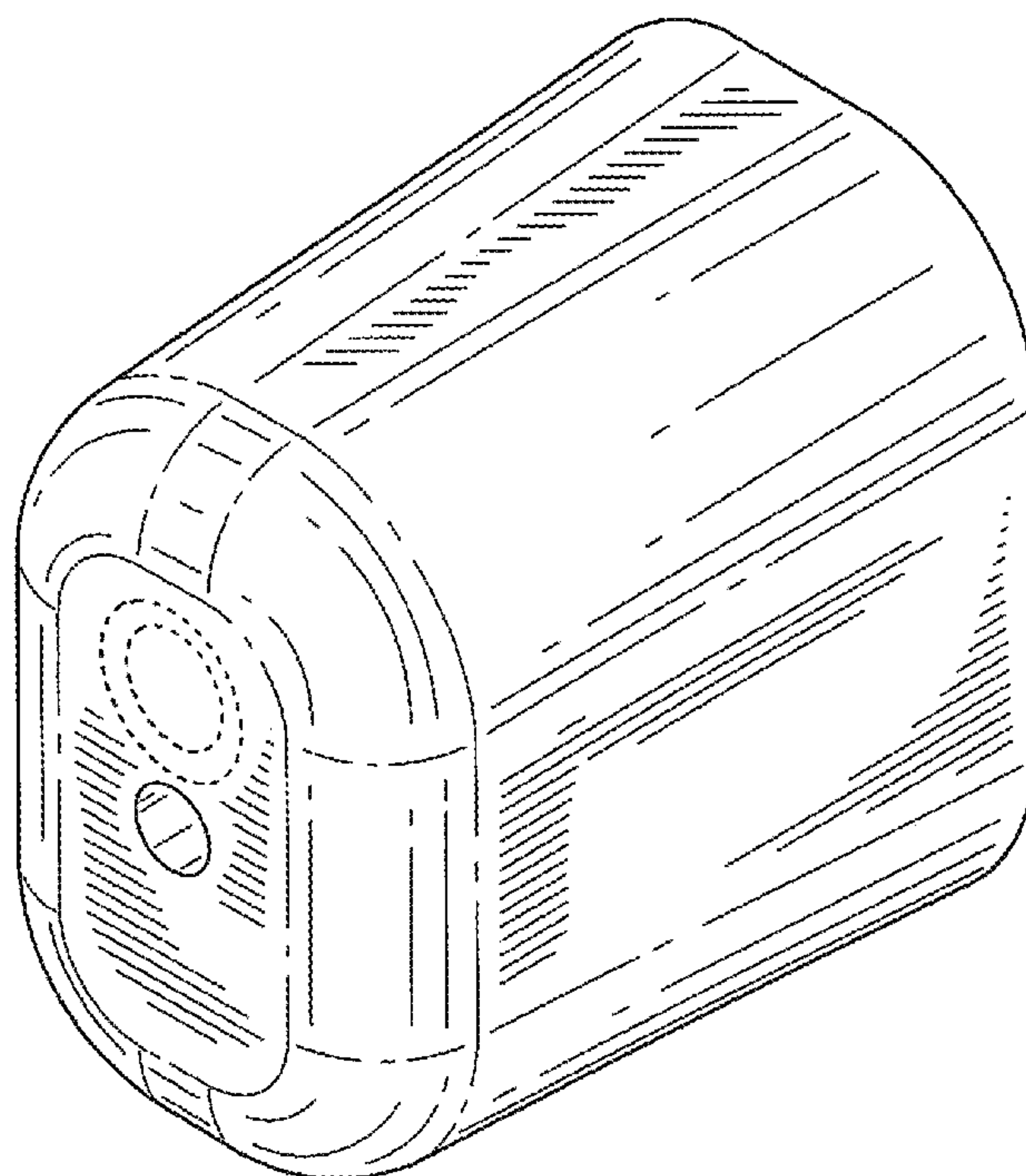
(56) **References Cited**

U.S. PATENT DOCUMENTS

3,858,632 A *	1/1975	Stout	F16L 59/161 137/375
4,103,701 A *	8/1978	Jeng	E03B 7/12 137/375

FIG. 1 is a front perspective view of a faucet cover;
FIG. 2 is a front elevation view thereof;
FIG. 3 is a rear elevation view thereof;
FIG. 4 is a right side elevation view thereof;
FIG. 5 is a left side elevation view thereof;
FIG. 6 is a top plan view thereof; and,
FIG. 7 is a bottom plan view thereof.
The broken lines shown in the figures are included for the purpose of illustrating portions of the faucet cover that form no part of the claimed design.

1 Claim, 4 Drawing Sheets



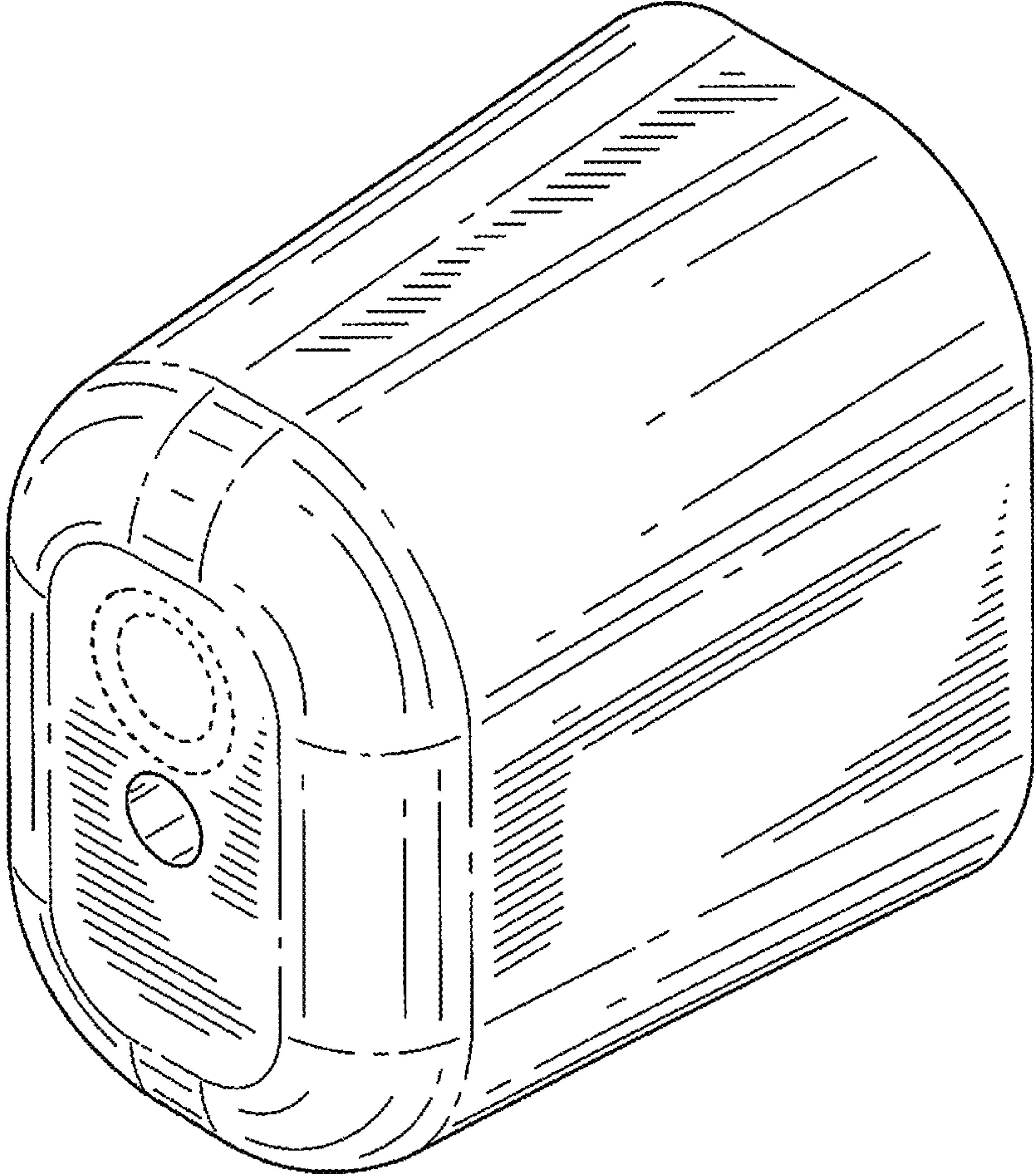


FIG. 1

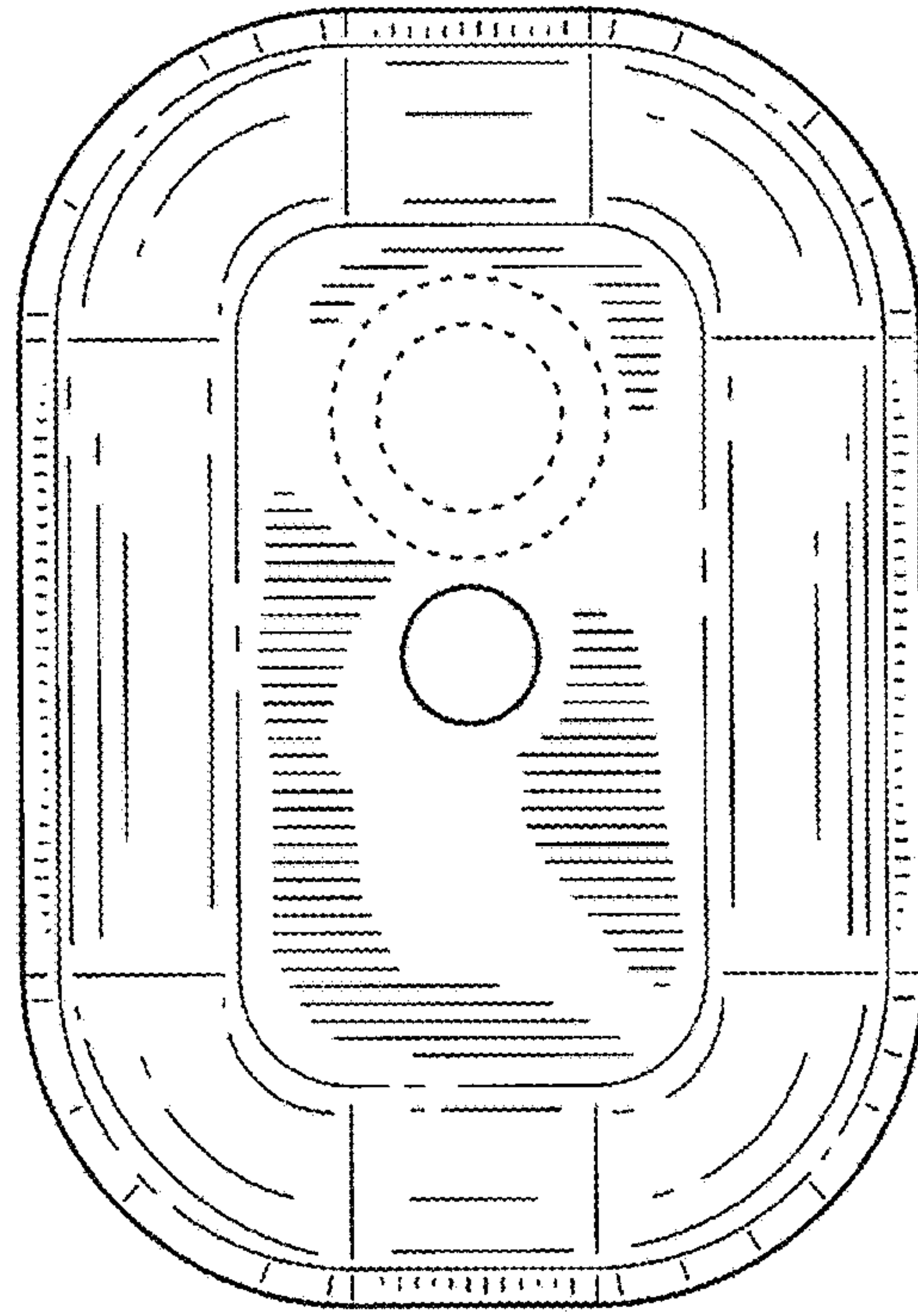


FIG. 2

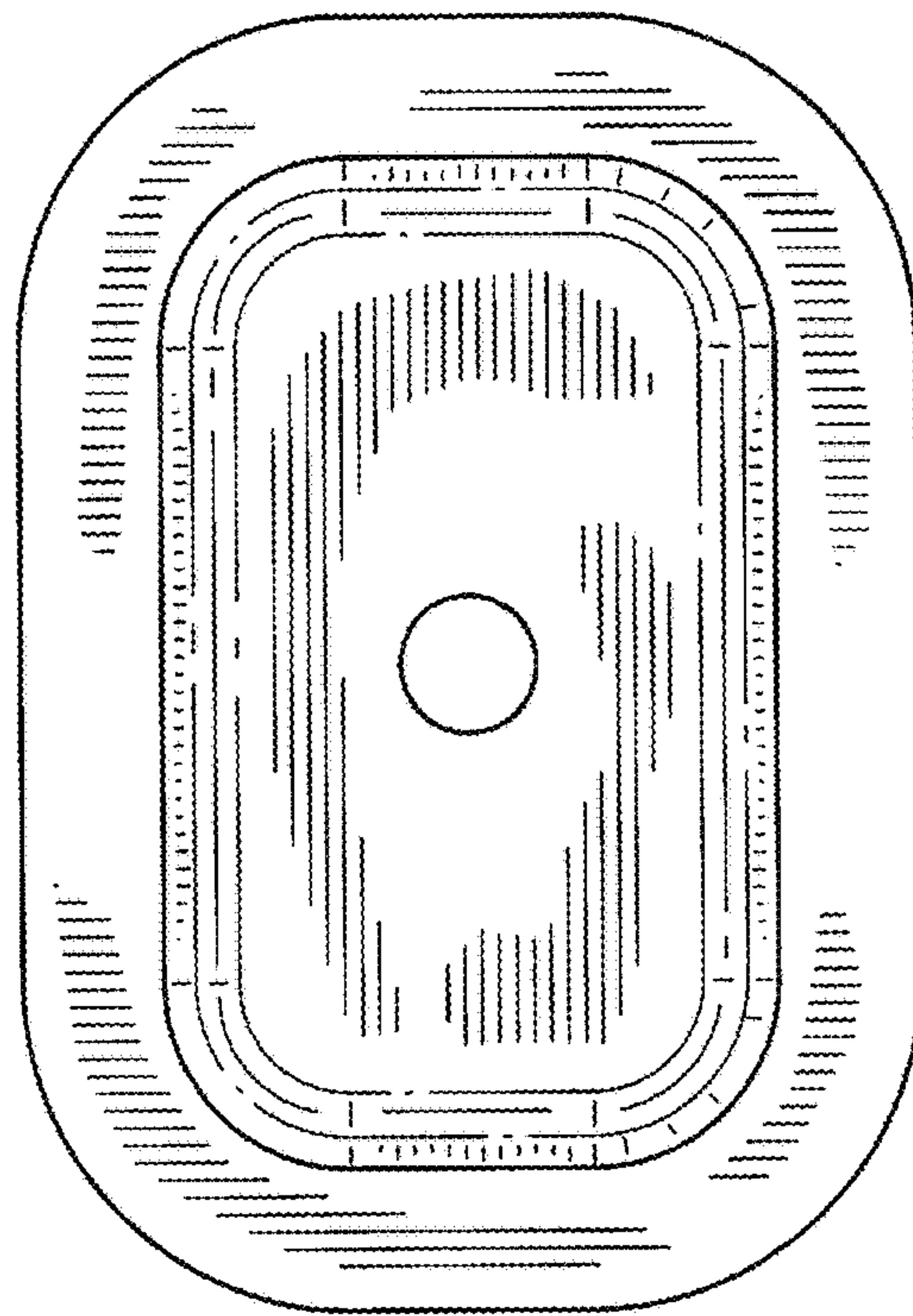


FIG. 3

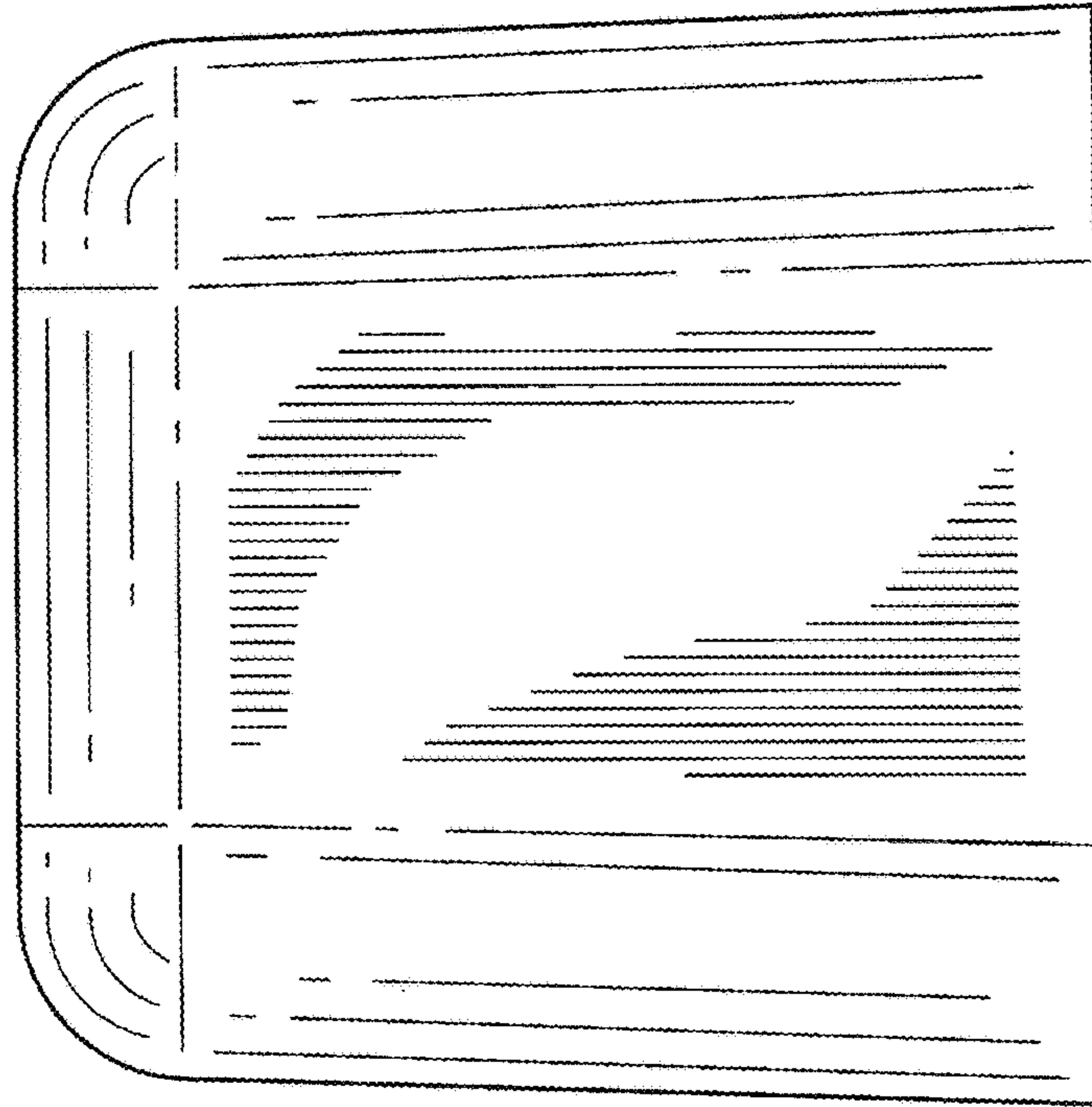


FIG. 4

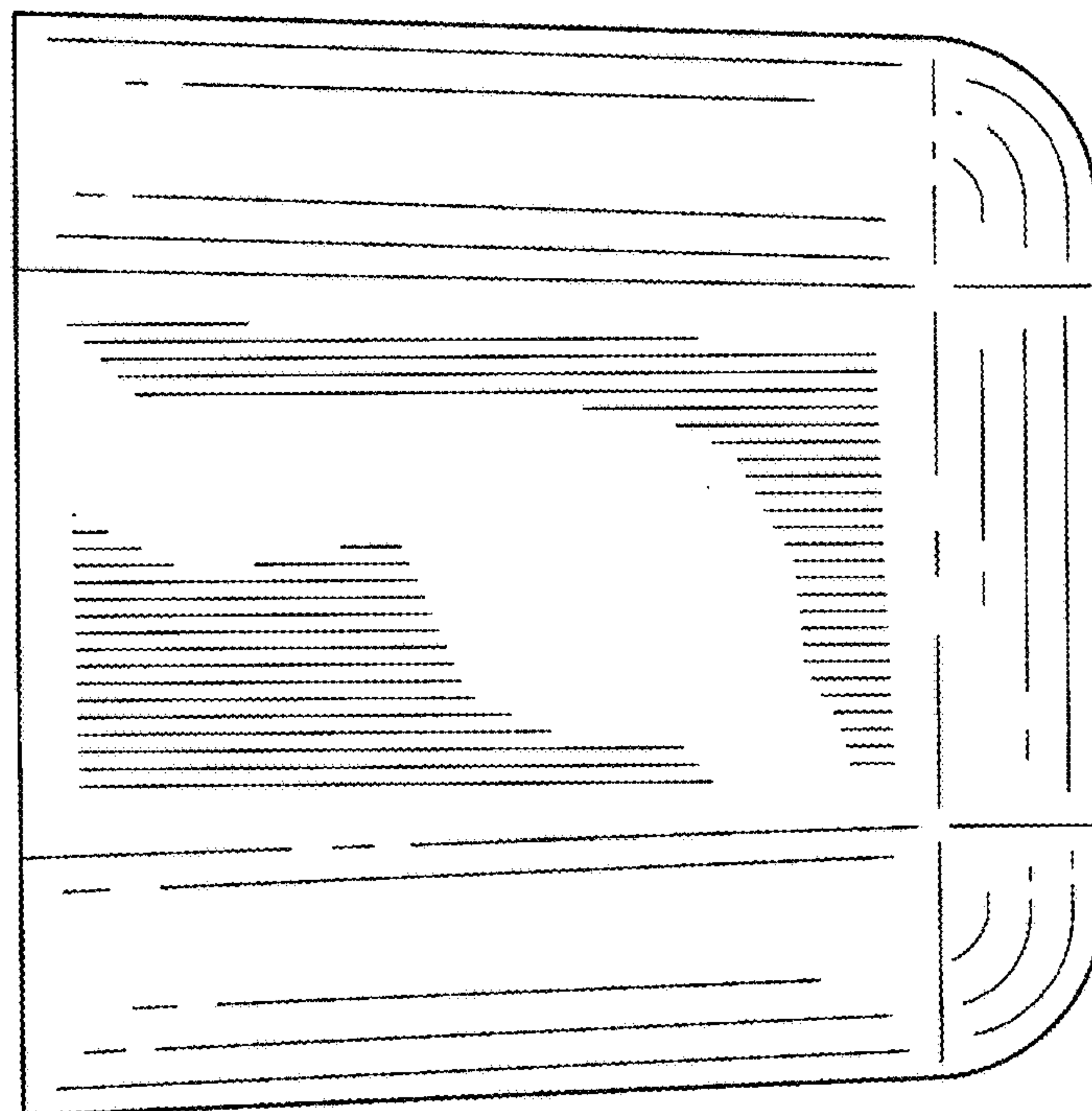


FIG. 5

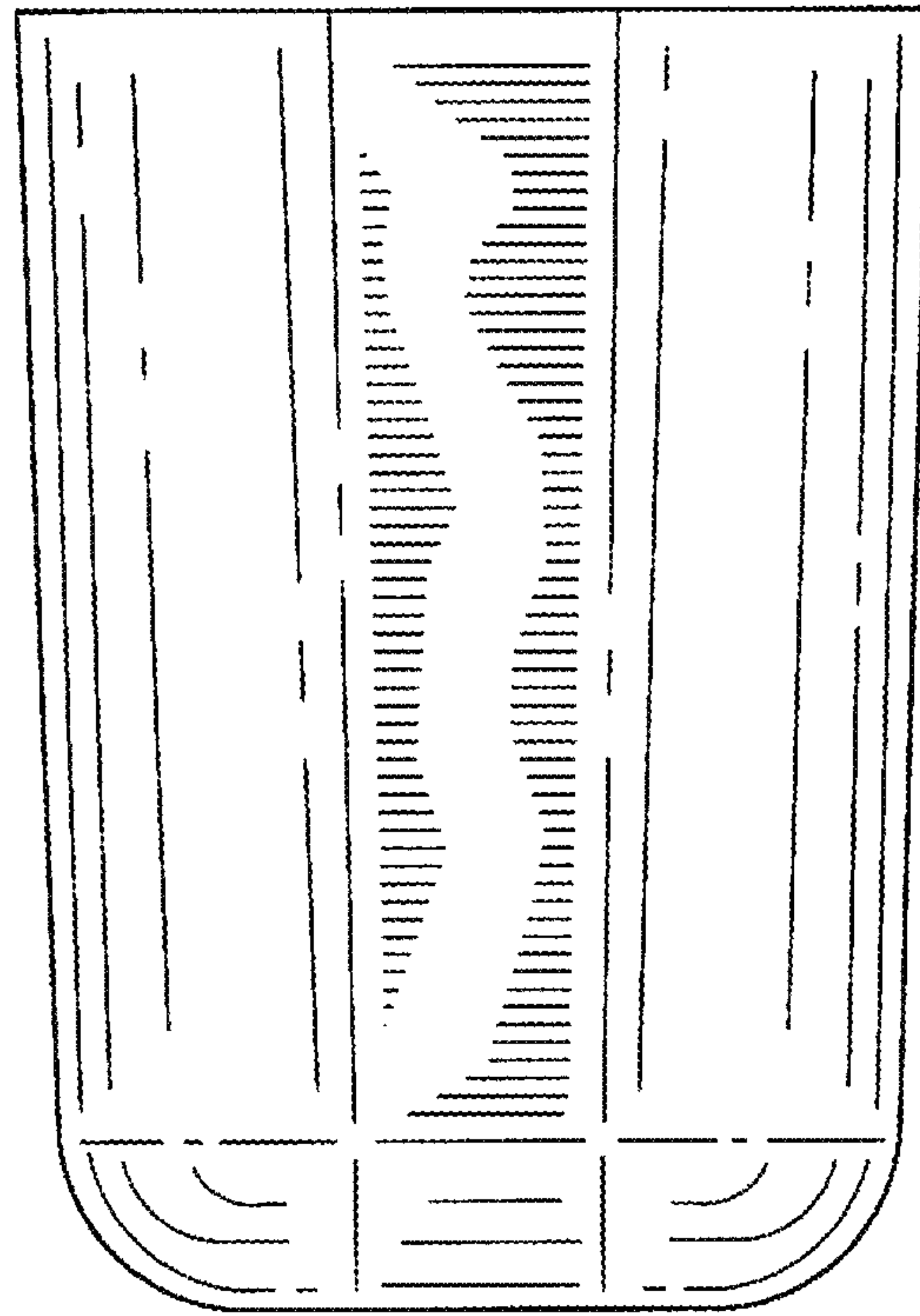


FIG. 6

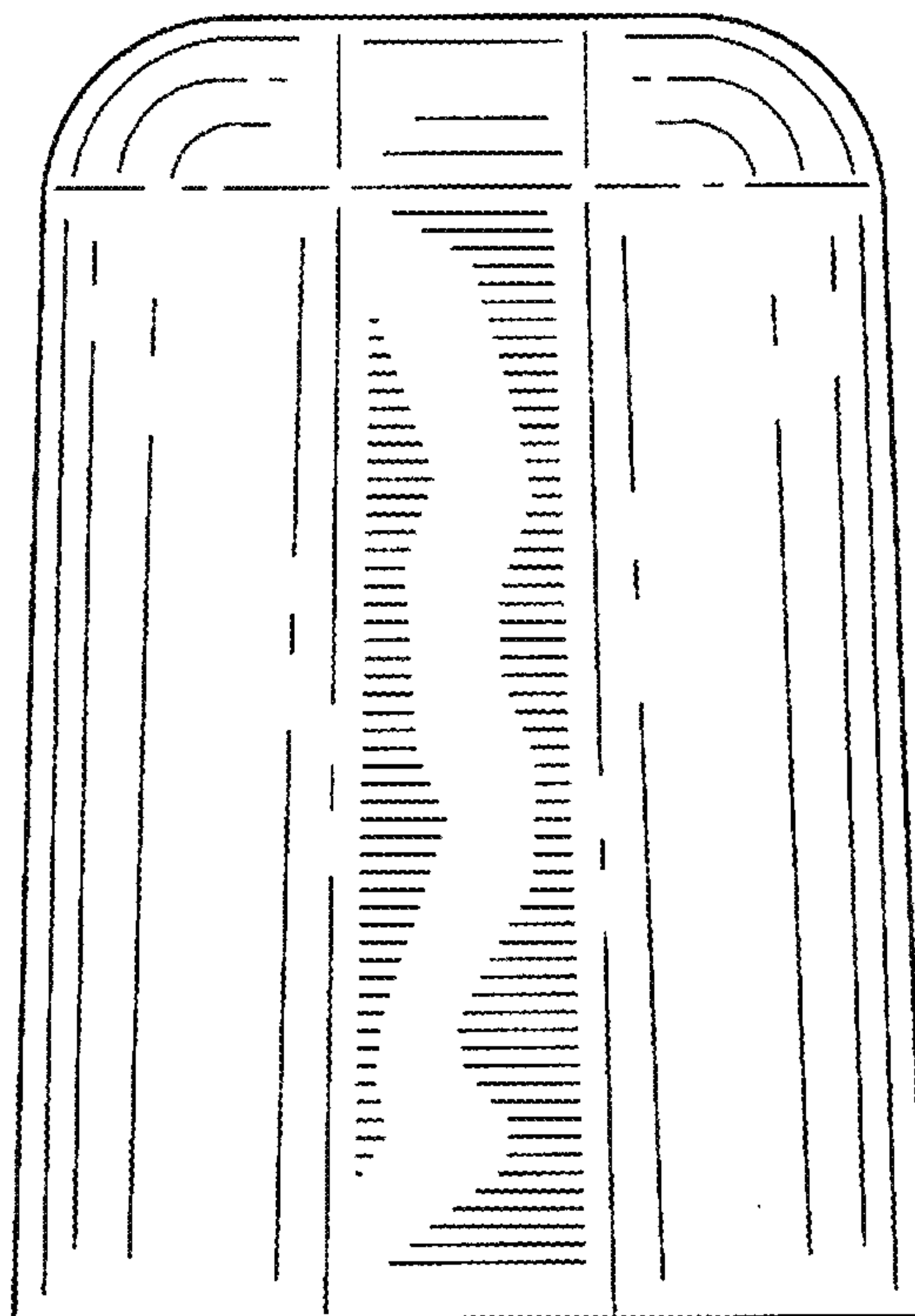


FIG. 7