



US00D822172S

(12) **United States Design Patent**  
**Bennett**

(10) **Patent No.:** **US D822,172 S**  
(45) **Date of Patent:** **\*\* Jul. 3, 2018**

(54) **FAUCET**

(71) Applicant: **DELTA FAUCET COMPANY,**  
Indianapolis, IN (US)

(72) Inventor: **Samantha Bennett,** Bayou Vista, TX  
(US)

(73) Assignee: **DELTA FAUCET COMPANY,**  
Indianapolis, IN (US)

(\*\*) Term: **15 Years**

(21) Appl. No.: **29/587,831**

(22) Filed: **Dec. 15, 2016**

(51) **LOC (11) Cl.** ..... **23-01**

(52) **U.S. Cl.**  
USPC ..... **D23/242**

(58) **Field of Classification Search**

USPC ..... D23/238-243, 249-250, 252, 254-255,  
D23/257; D08/307-308  
CPC ..... Y10T 137/9464  
See application file for complete search history.

(56) **References Cited**

U.S. PATENT DOCUMENTS

D415,259 S *	10/1999	Slothower .....	D23/255
D468,807 S *	1/2003	Panis .....	D23/241
D469,162 S *	1/2003	Panis .....	D23/238
D510,127 S *	9/2005	Spangler .....	D23/241
D524,425 S *	7/2006	Singtoroj .....	D23/255

\* cited by examiner

*Primary Examiner* — Robert A Delehanty

(74) *Attorney, Agent, or Firm* — Edgar A. Zarins; Nirav D. Parikh

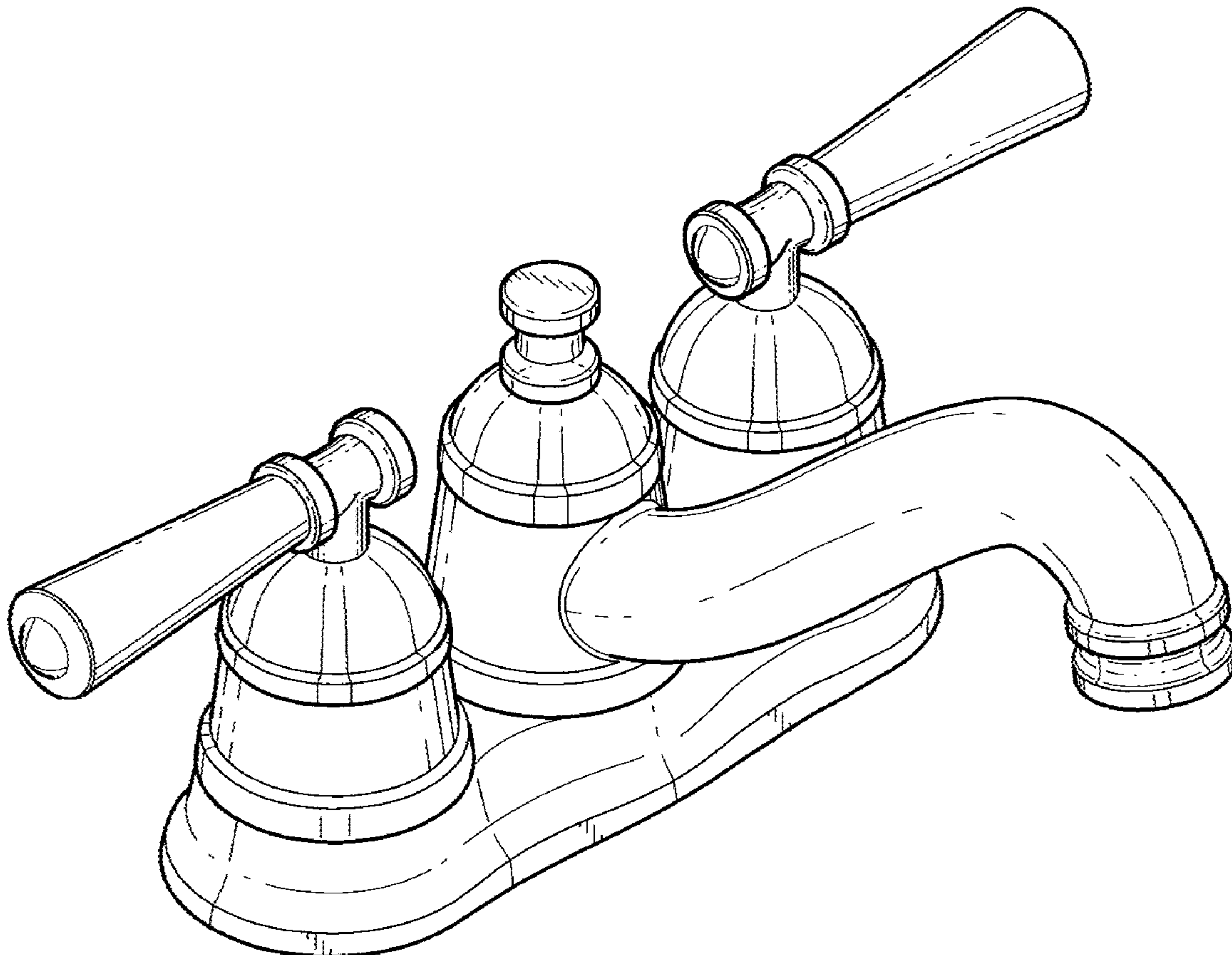
(57) **CLAIM**

The ornamental design for a faucet, as shown and described.

**DESCRIPTION**

FIG. 1 is a perspective view of a faucet showing my new design;  
FIG. 2 is a front elevational view thereof;  
FIG. 3 is a rear view thereof;  
FIG. 4 is a left side view thereof, the opposite side being a mirror image of the side shown;  
FIG. 5 is a top plan view thereof; and,  
FIG. 6 is a bottom view thereof.

**1 Claim, 3 Drawing Sheets**



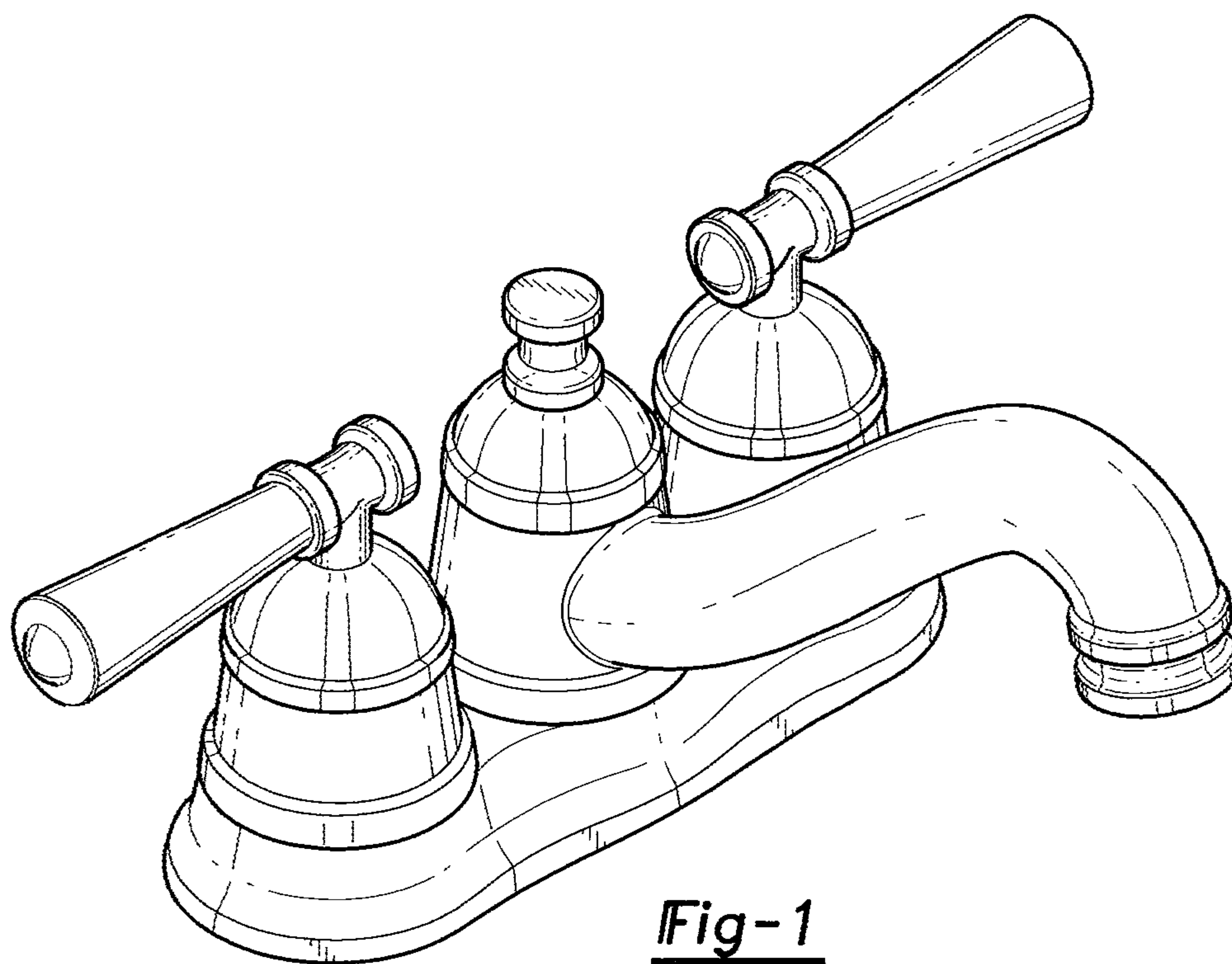


Fig-1

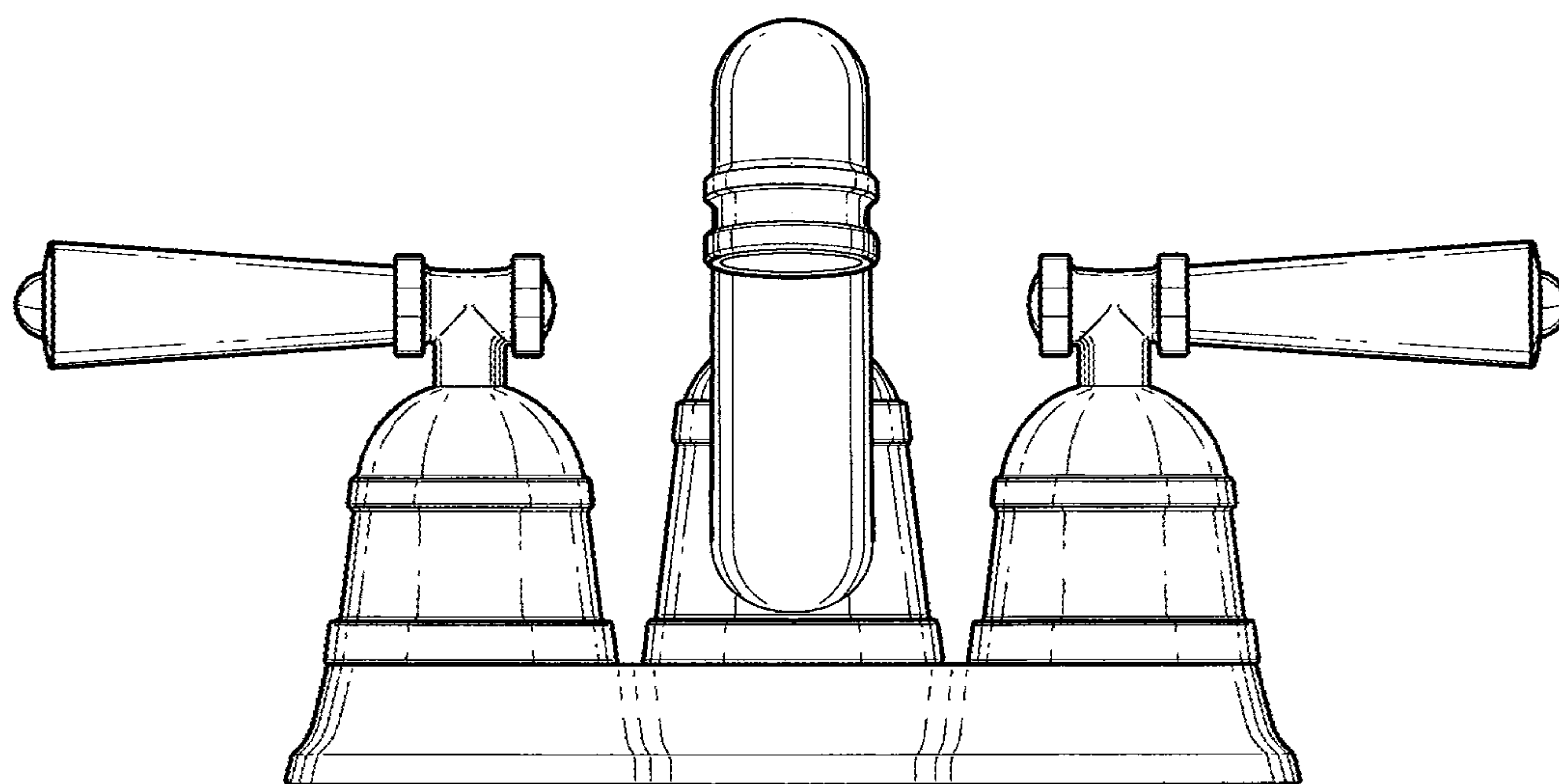


Fig-2

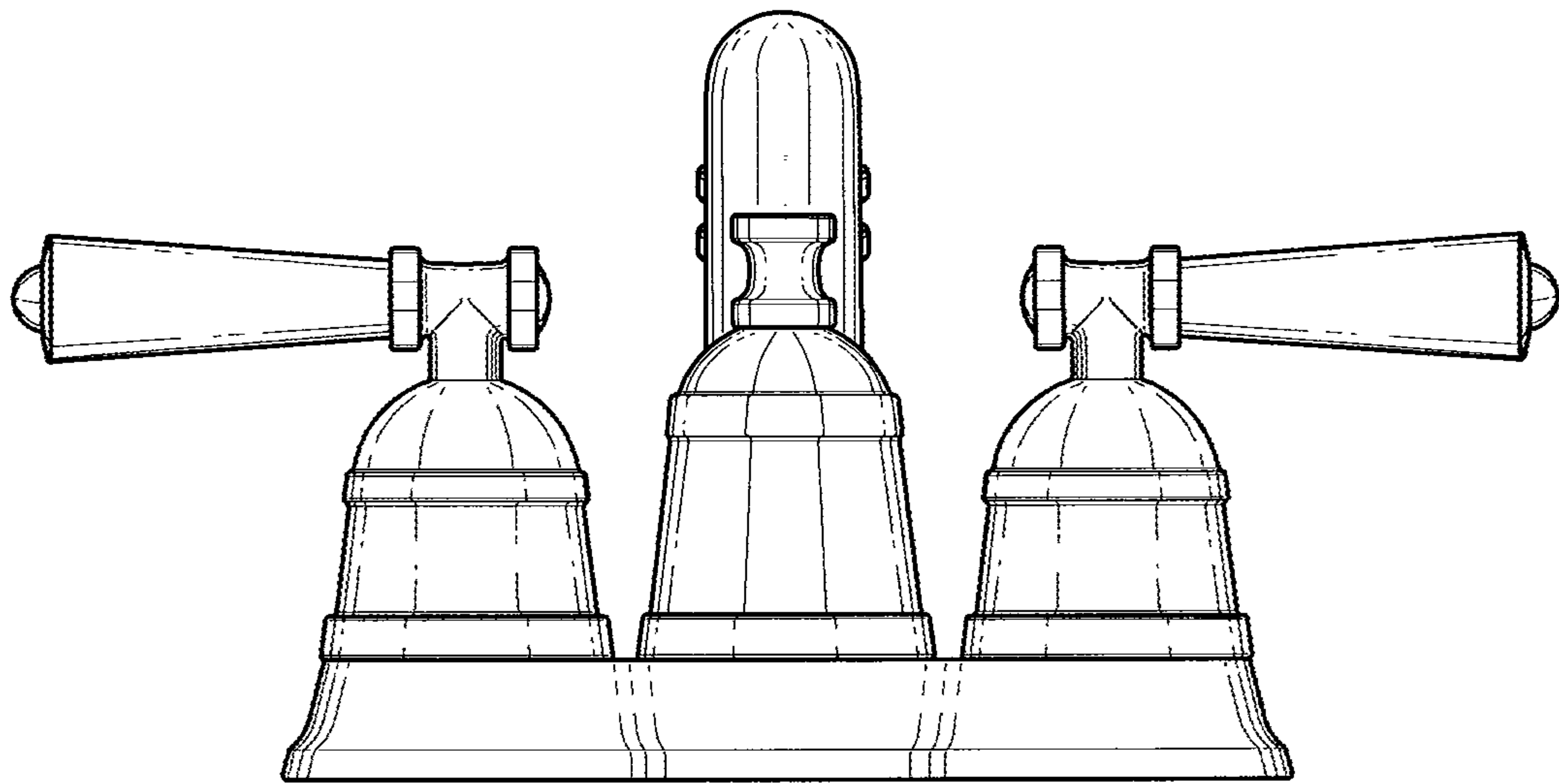


Fig-3

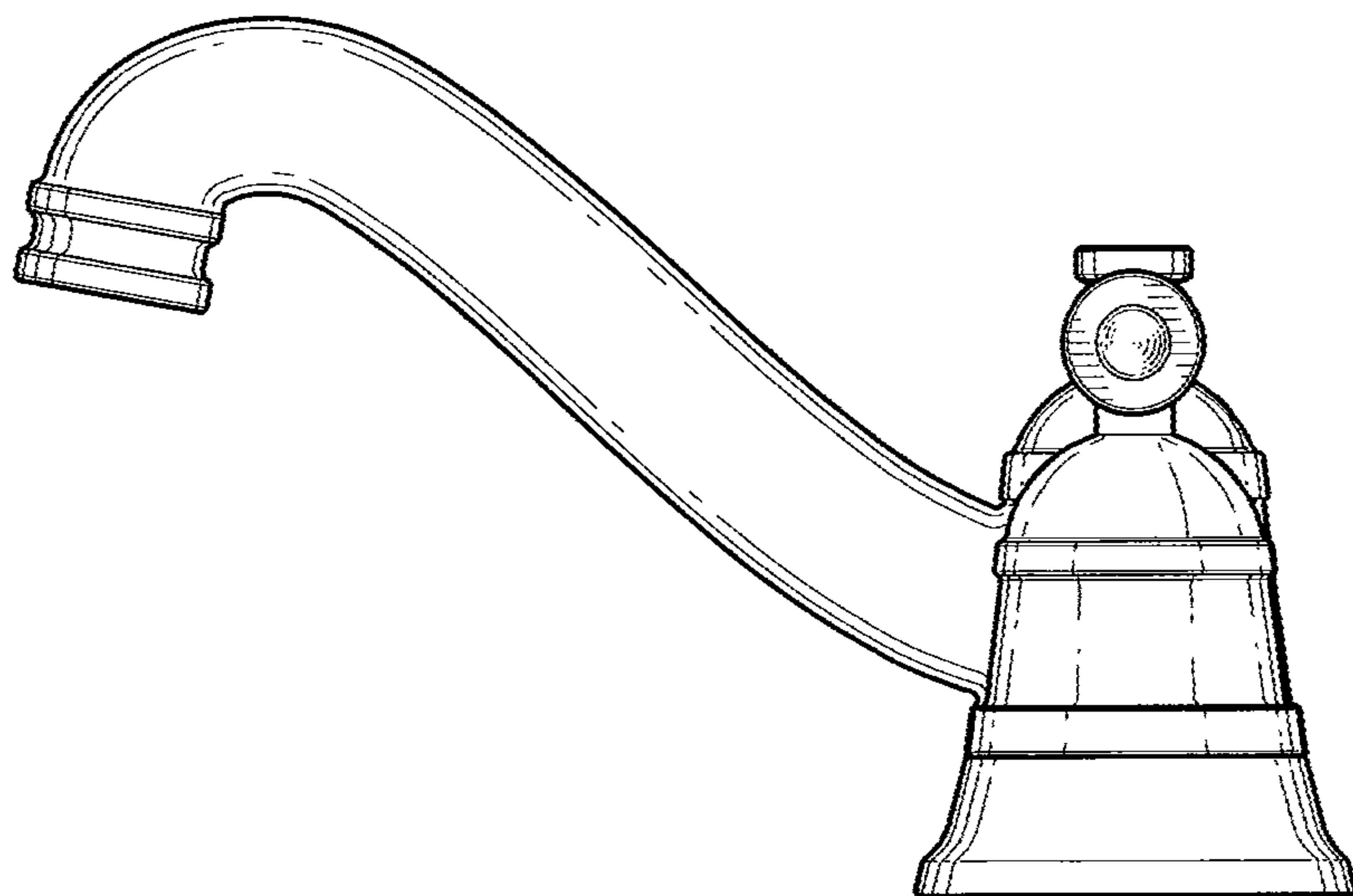


Fig-4

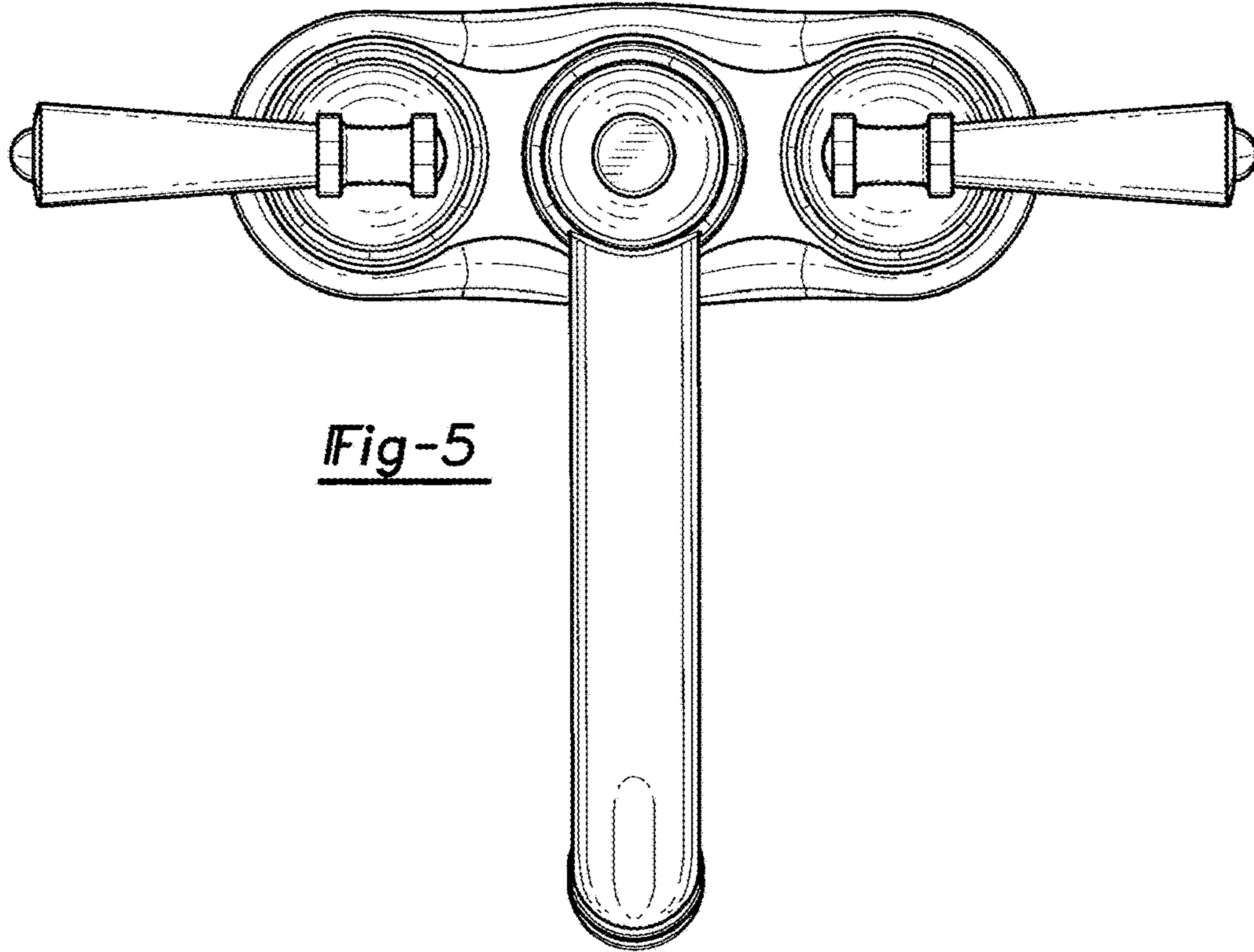


Fig-5

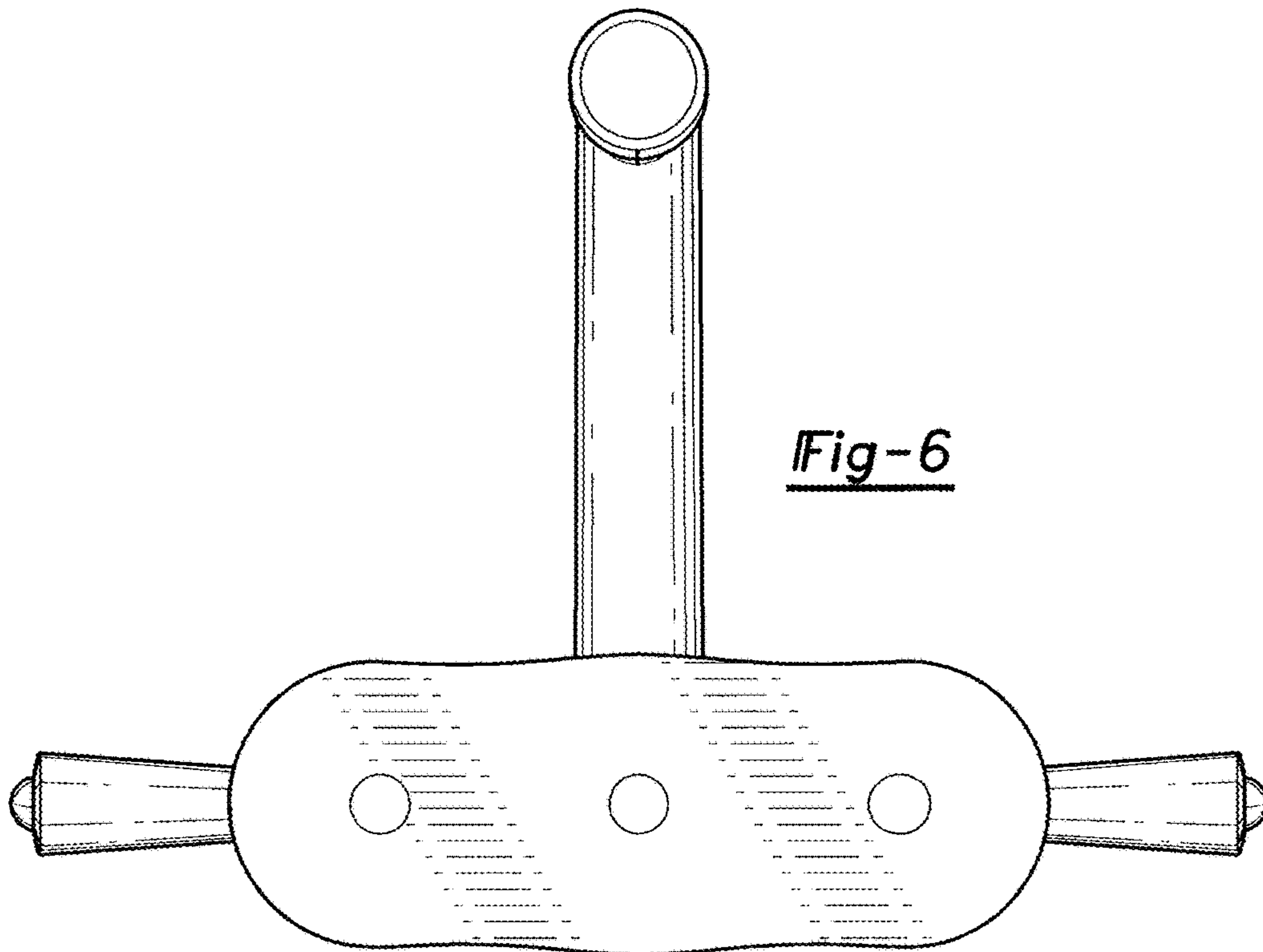


Fig-6