



US00D822171S

(12) **United States Design Patent**  
**Bennett**

(10) **Patent No.:** **US D822,171 S**  
(45) **Date of Patent:** **\*\* Jul. 3, 2018**

(54) **FAUCET**

D634,815 S \* 3/2011 Barry ..... D23/252  
D762,821 S \* 8/2016 Ingels ..... D23/242  
D791,280 S \* 7/2017 Fritz ..... D23/242

(71) Applicant: **DELTA FAUCET COMPANY,**  
Indianapolis, IN (US)

\* cited by examiner

(72) Inventor: **Samantha Bennett,** Bayou Vista, TX  
(US)

*Primary Examiner* — Robert A Delehanty

(73) Assignee: **DELTA FAUCET COMPANY,**  
Indianapolis, IN (US)

(74) *Attorney, Agent, or Firm* — Edgar A. Zarins; Nirav  
D. Parikh

(\*\*) Term: **15 Years**

(21) Appl. No.: **29/587,784**

(57) **CLAIM**

(22) Filed: **Dec. 15, 2016**

The ornamental design for a faucet, as shown and described.

(51) **LOC (11) Cl.** ..... **23-01**

(52) **U.S. Cl.**  
USPC ..... **D23/242**

**DESCRIPTION**

(58) **Field of Classification Search**  
USPC ..... D23/238–243, 249–250, 252, 254–255,  
D23/257; D08/307–308  
CPC ..... Y10T 137/9464  
See application file for complete search history.

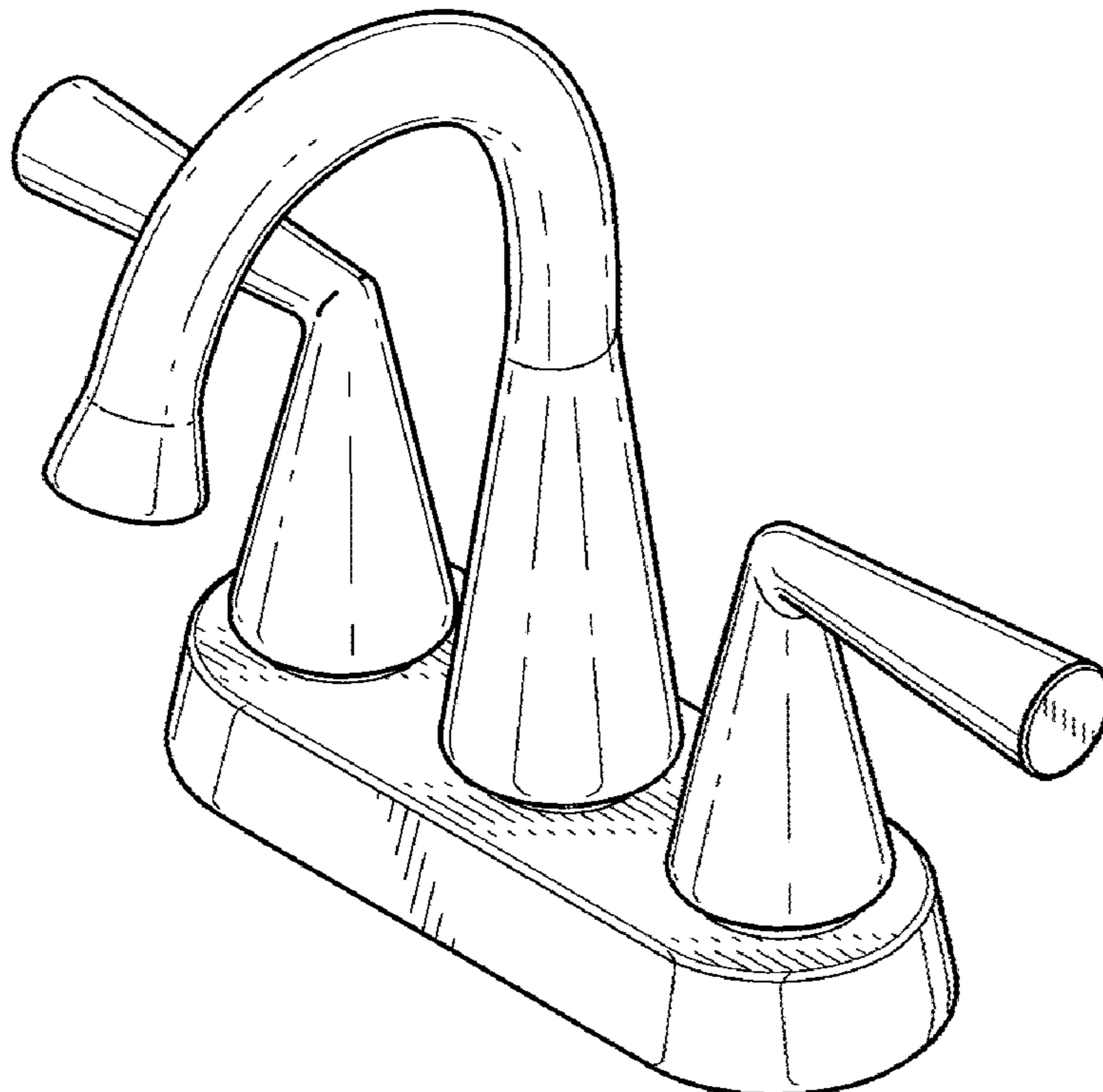
FIG. 1 is a perspective view of a faucet showing my new design;  
FIG. 2 is a top plan view thereof;  
FIG. 3 is a left side view thereof, the opposite side being a mirror image of the side shown;  
FIG. 4 is a bottom view thereof;  
FIG. 5 is a front elevational view thereof; and,  
FIG. 6 is a rear view thereof.

(56) **References Cited**

**U.S. PATENT DOCUMENTS**

**1 Claim, 3 Drawing Sheets**

D603,021 S \* 10/2009 Roy ..... D23/238



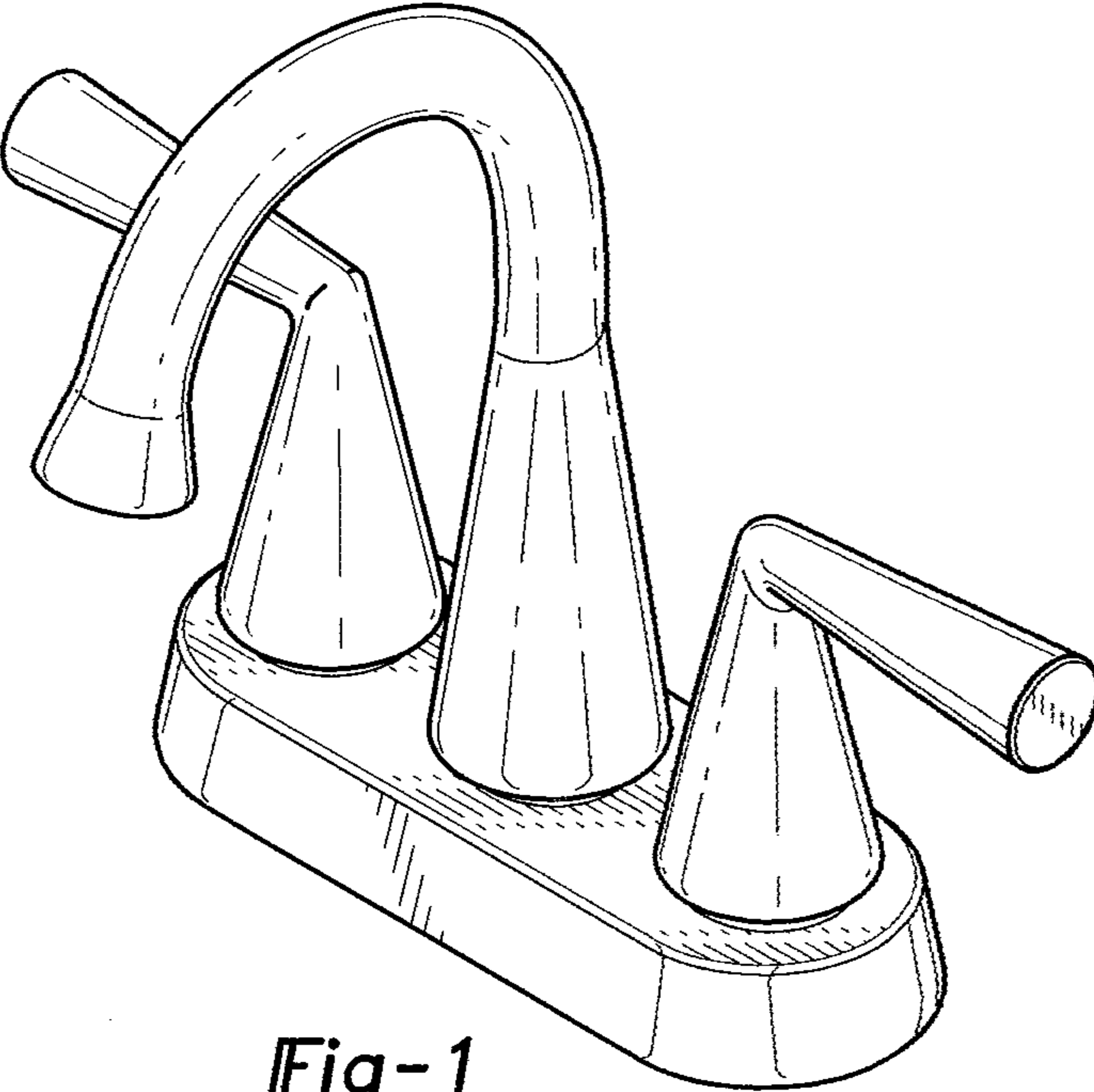


Fig-1

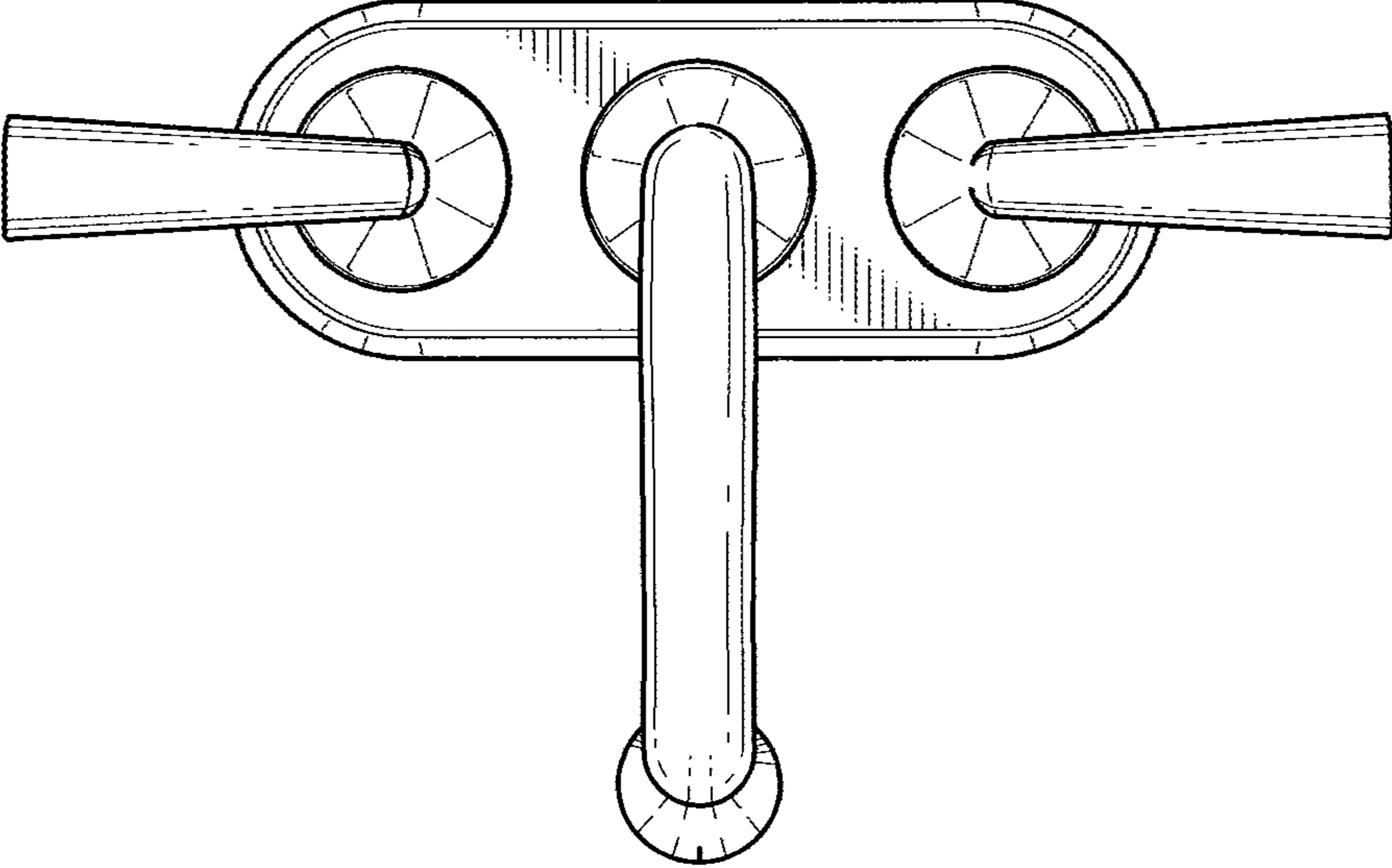
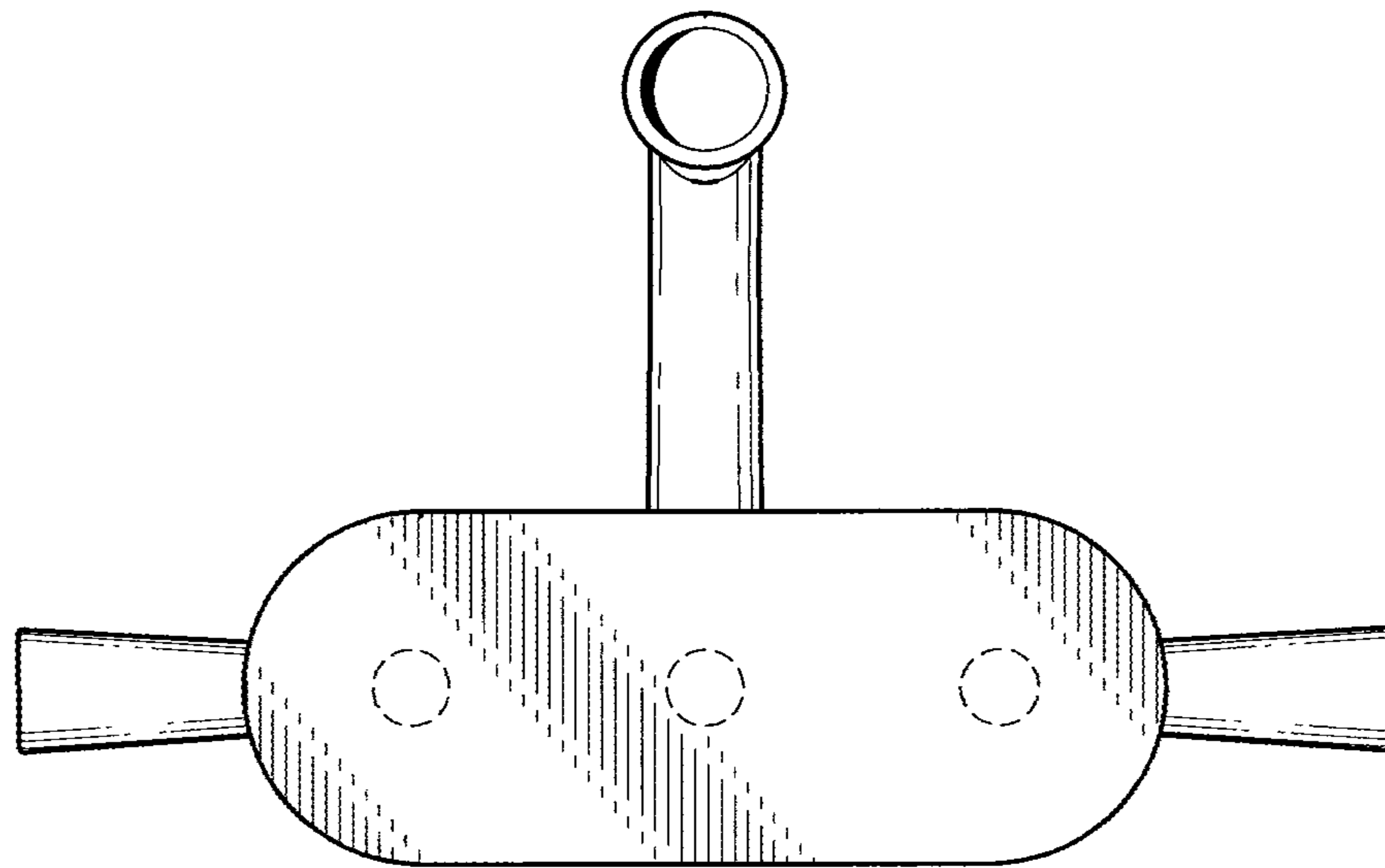
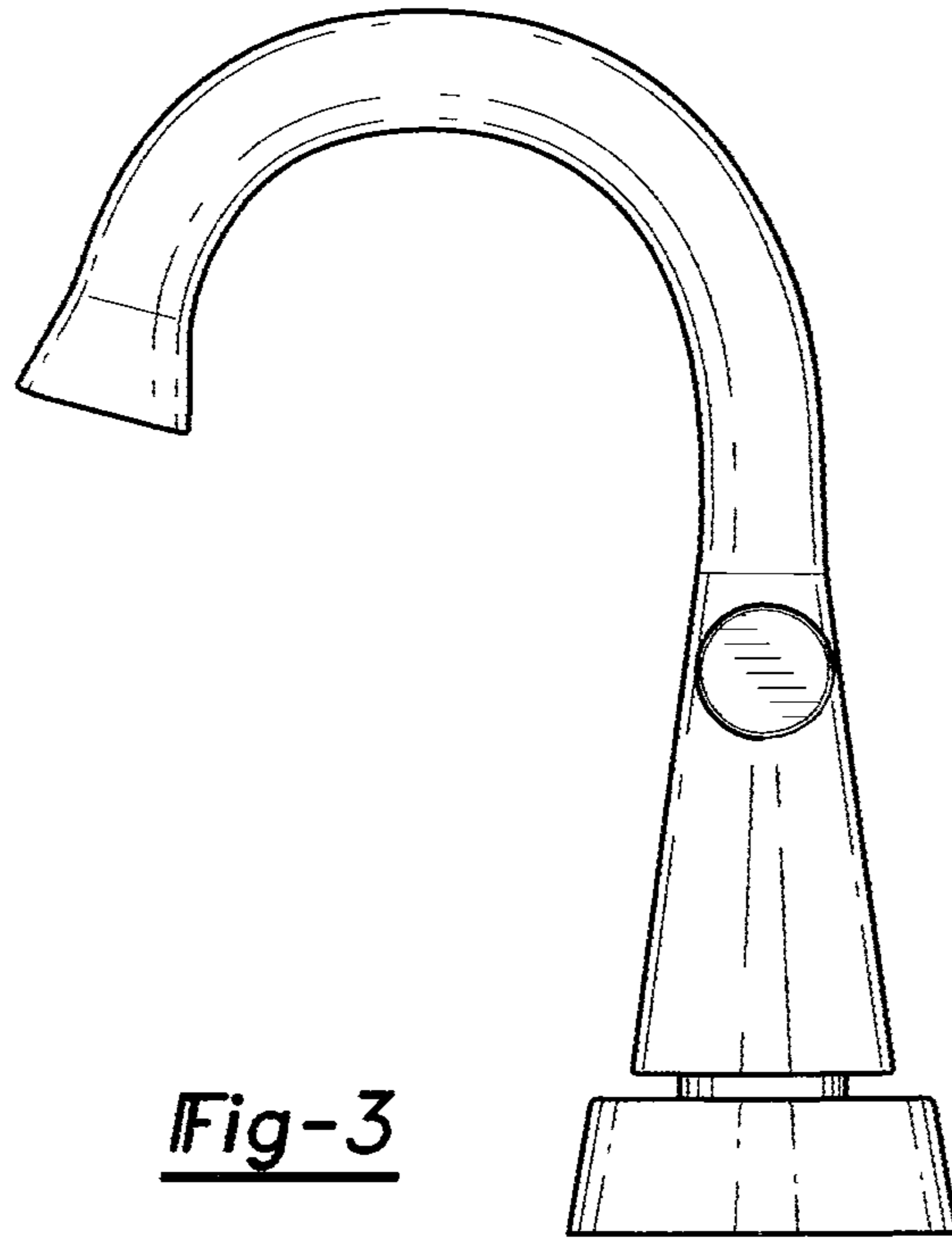


Fig-2



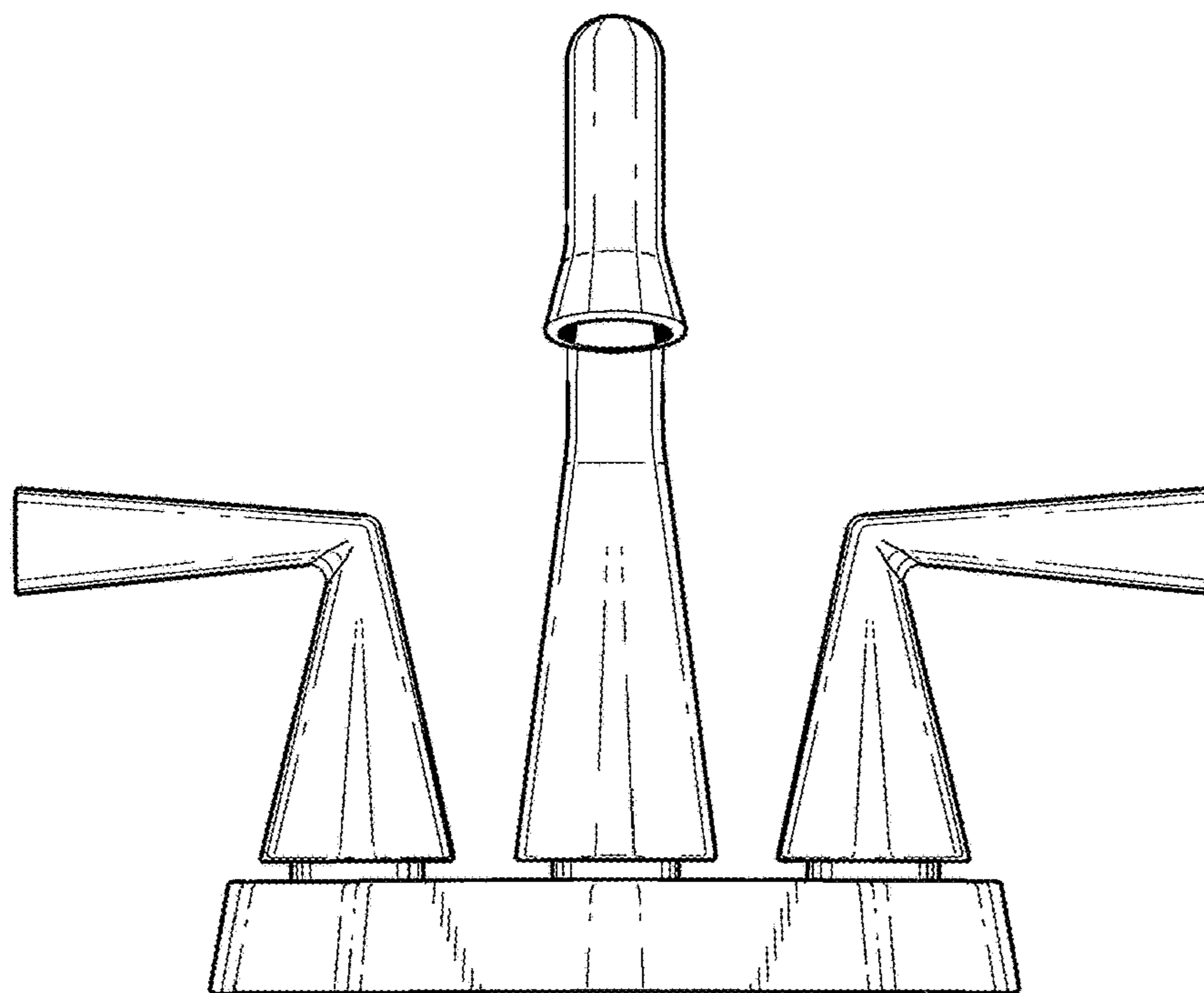


Fig-5

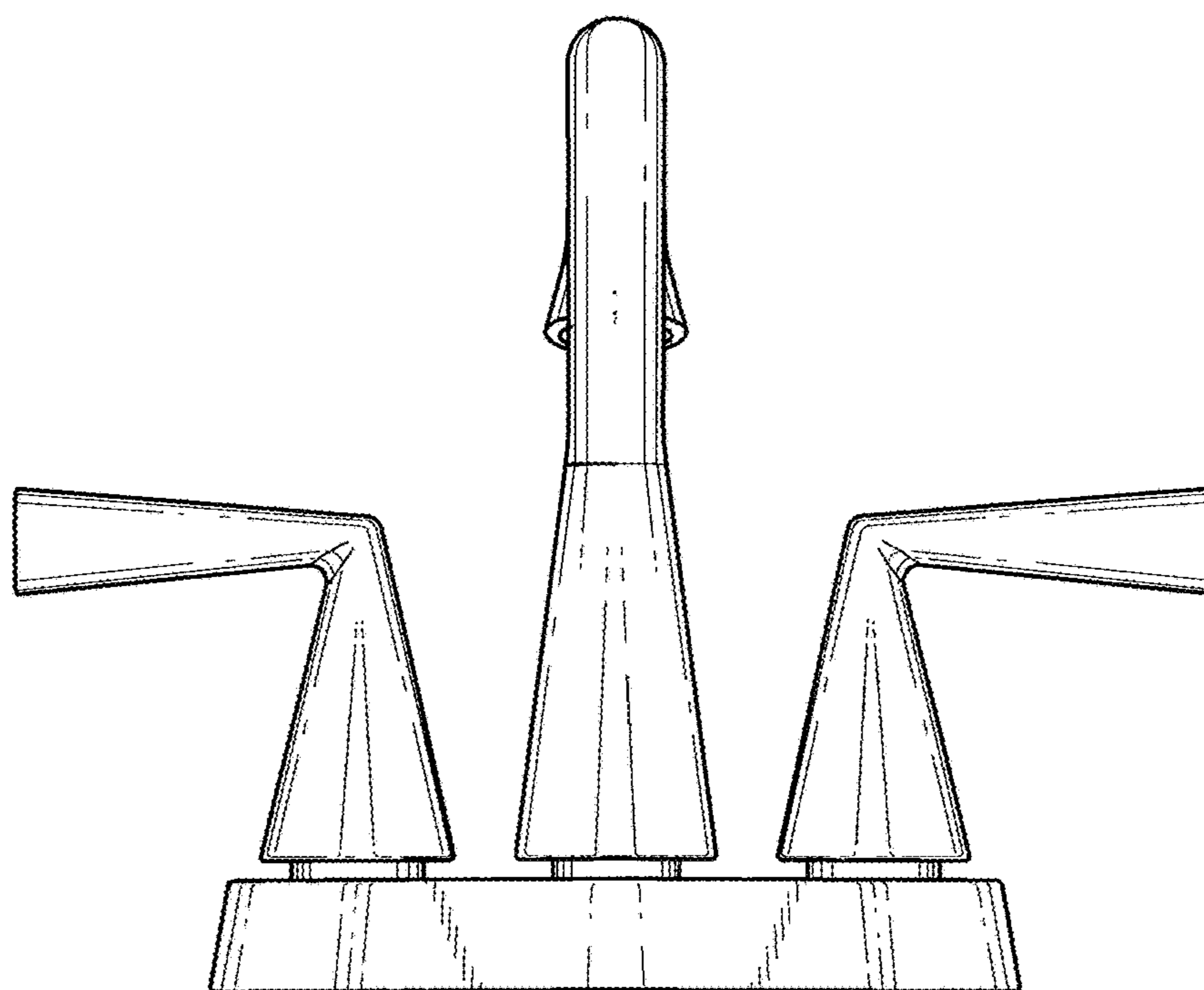


Fig-6