



US00D822169S

(12) **United States Design Patent**
Spangler

(10) **Patent No.:** **US D822,169 S**

(45) **Date of Patent:** **** Jul. 3, 2018**

(54) **FAUCET**

(71) Applicant: **DELTA FAUCET COMPANY,**
Indianapolis, IN (US)

(72) Inventor: **Anthony Spangler,** Indianapolis, IN
(US)

(73) Assignee: **DELTA FAUCET COMPANY,**
Indianapolis, IN (US)

(**) Term: **15 Years**

(21) Appl. No.: **29/572,222**

(22) Filed: **Jul. 26, 2016**

(51) **LOC (11) Cl.** **23-01**

(52) **U.S. Cl.**
USPC **D23/238**

(58) **Field of Classification Search**
USPC D23/238-243, 249-250, 252, 254-255,
D23/257; D8/307-308
CPC Y10T 137/9464
See application file for complete search history.

(56) **References Cited**

U.S. PATENT DOCUMENTS

D525,679 S * 7/2006 Gilbert D23/238
D554,236 S * 10/2007 Dolan D23/255

D591,835 S * 5/2009 Williams D23/252
D599,440 S * 9/2009 Williams D23/252
D601,668 S * 10/2009 Williams D23/255
D681,166 S 4/2013 Romero et al.
D681,167 S 4/2013 Romero et al.
D797,892 S * 9/2017 Fritz D23/238
D797,893 S * 9/2017 Fritz D23/242

* cited by examiner

Primary Examiner — Robert A Delehanty

(74) *Attorney, Agent, or Firm* — Edgar A. Zarins; Nirav
D. Parikh

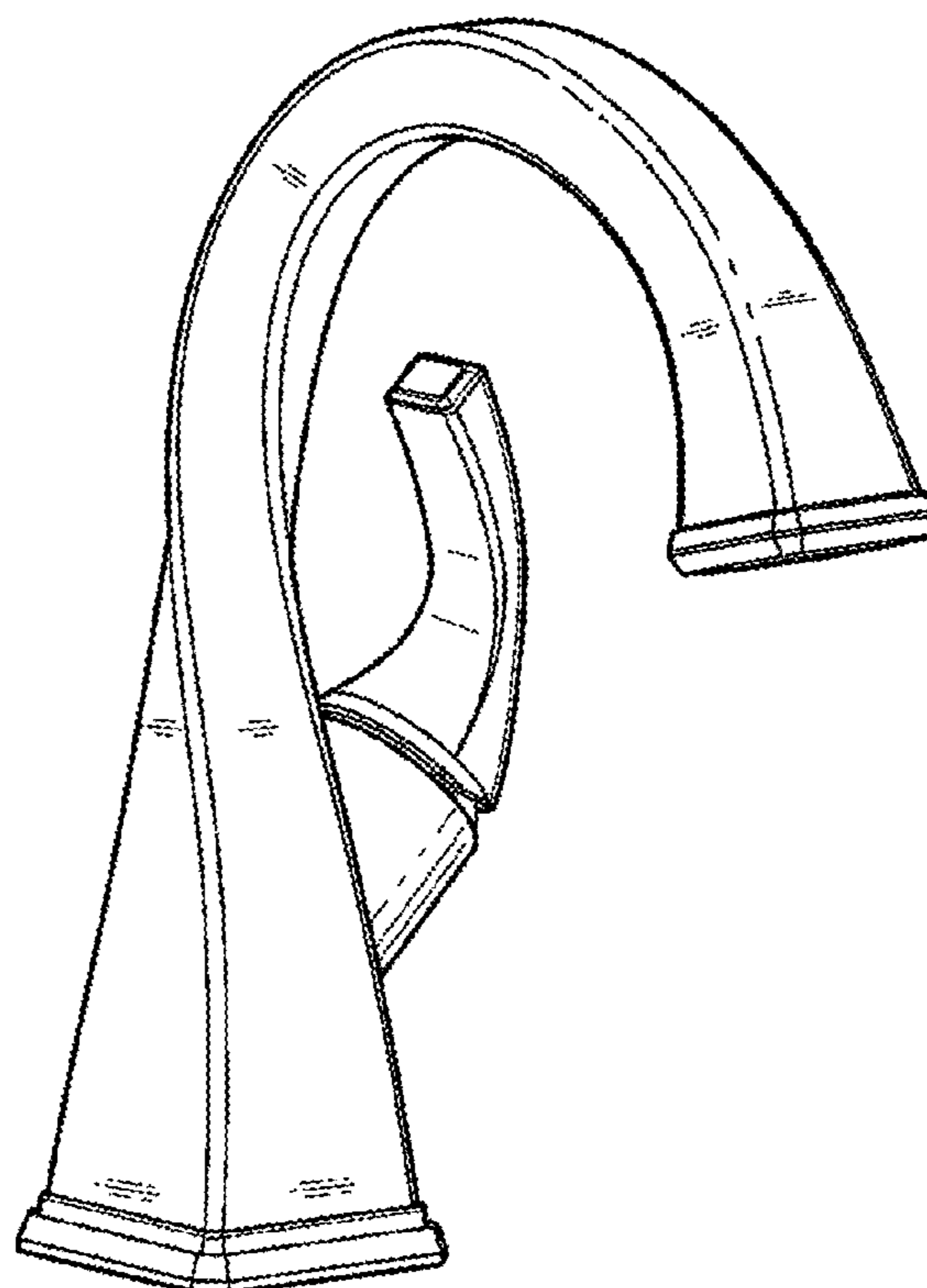
(57) **CLAIM**

The ornamental design for a faucet, as shown and described.

DESCRIPTION

FIG. 1 is a perspective view of a faucet showing my new design;
FIG. 2 is a front elevational view thereof;
FIG. 3 is a rear perspective view thereof;
FIG. 4 is a rear view thereof;
FIG. 5 is a top plan view thereof;
FIG. 6 is a right side view thereof;
FIG. 7 is a left side view thereof; and,
FIG. 8 is a bottom view thereof.

1 Claim, 4 Drawing Sheets



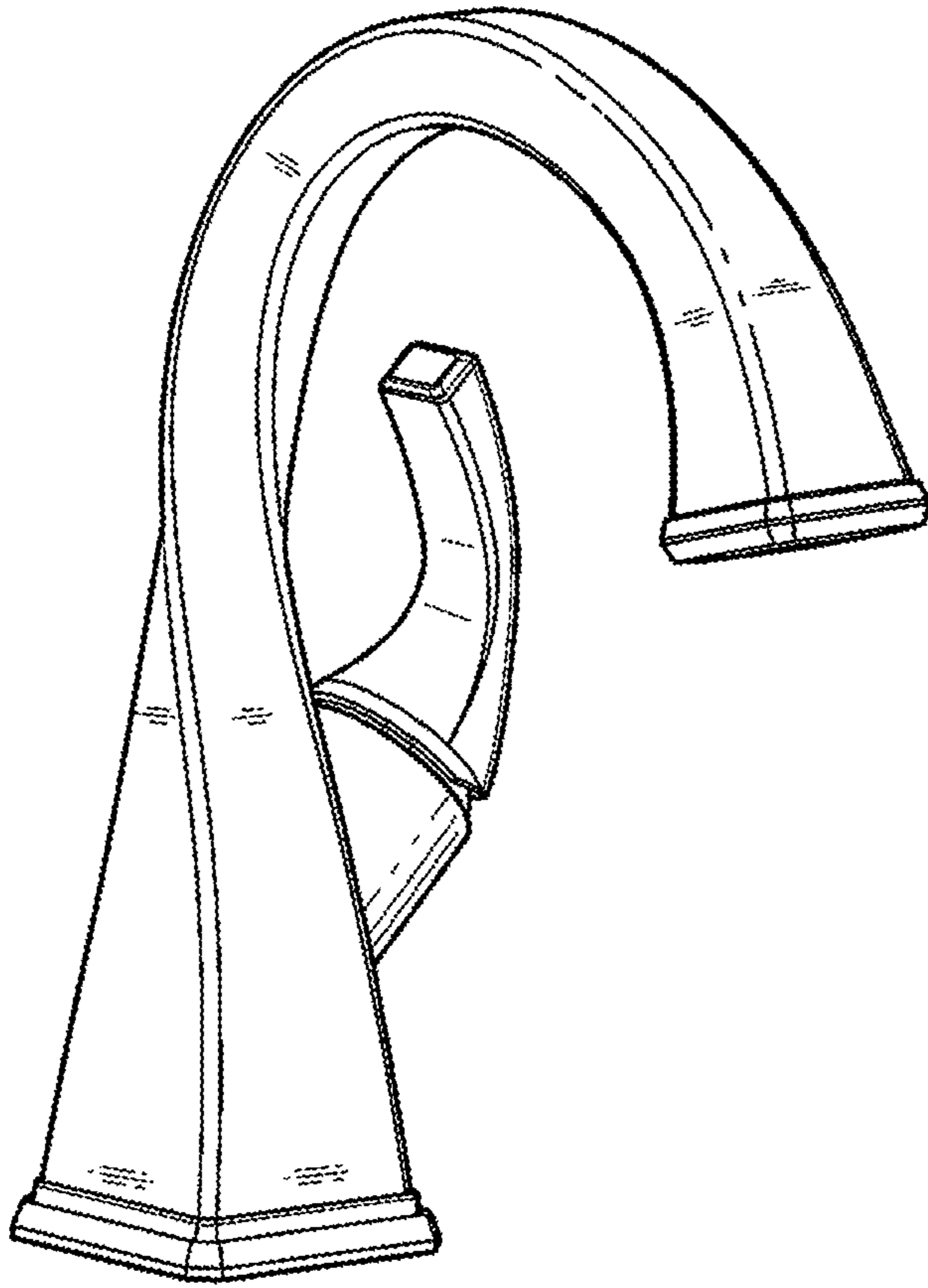


Fig-1

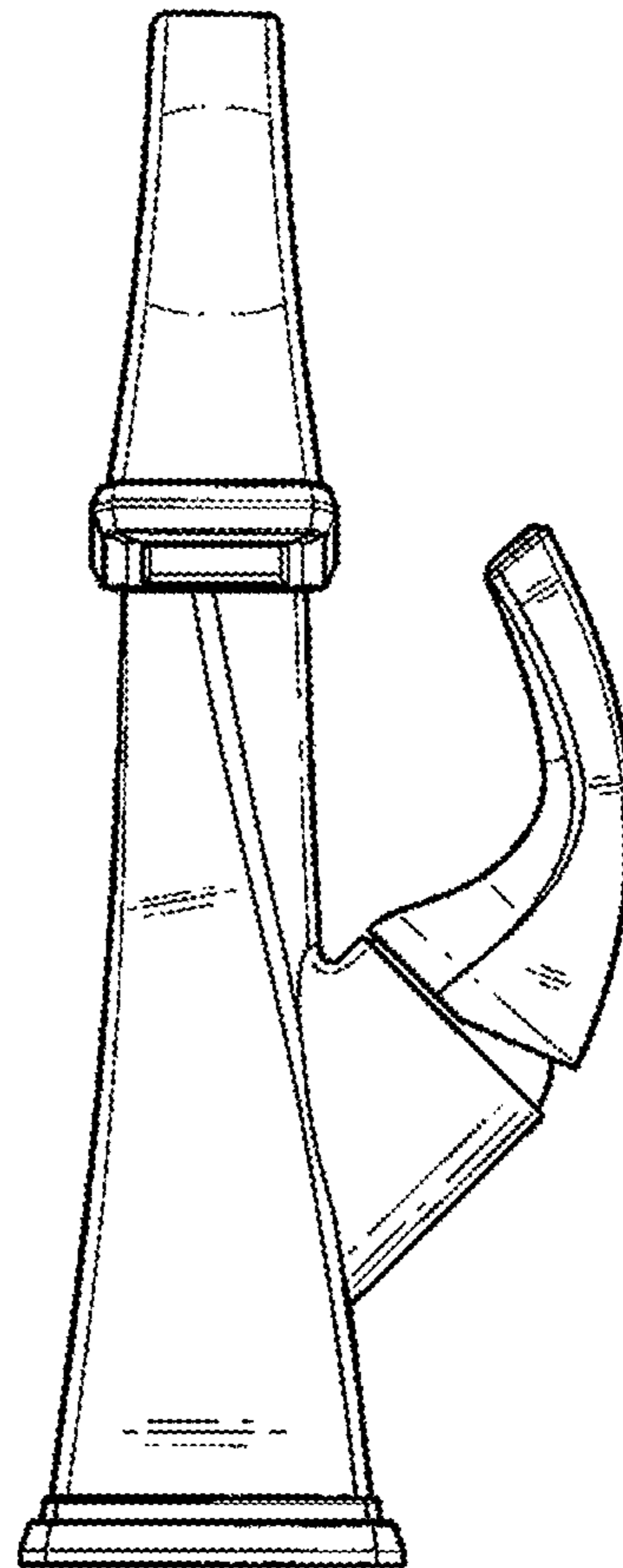


Fig-2

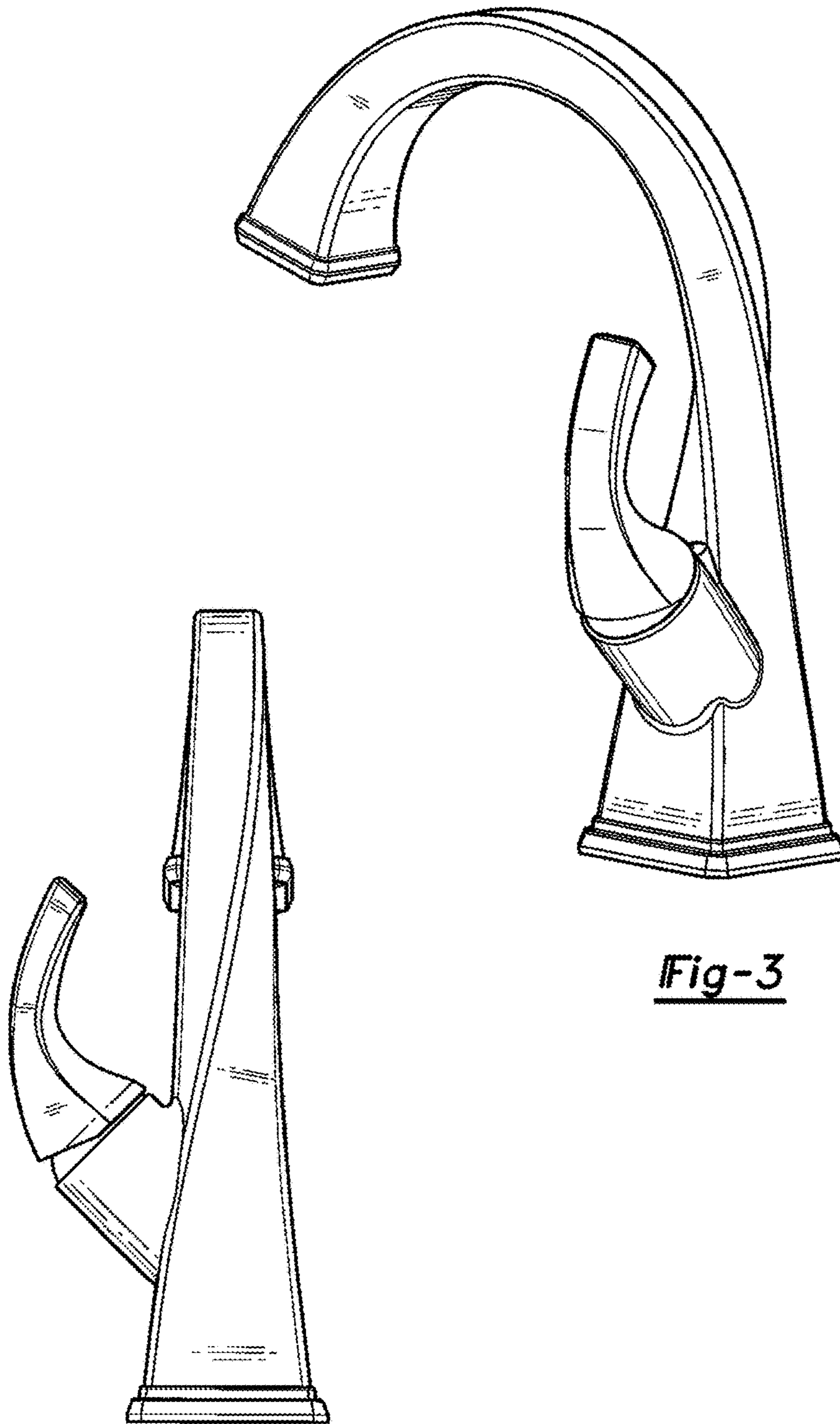


Fig-3

Fig-4

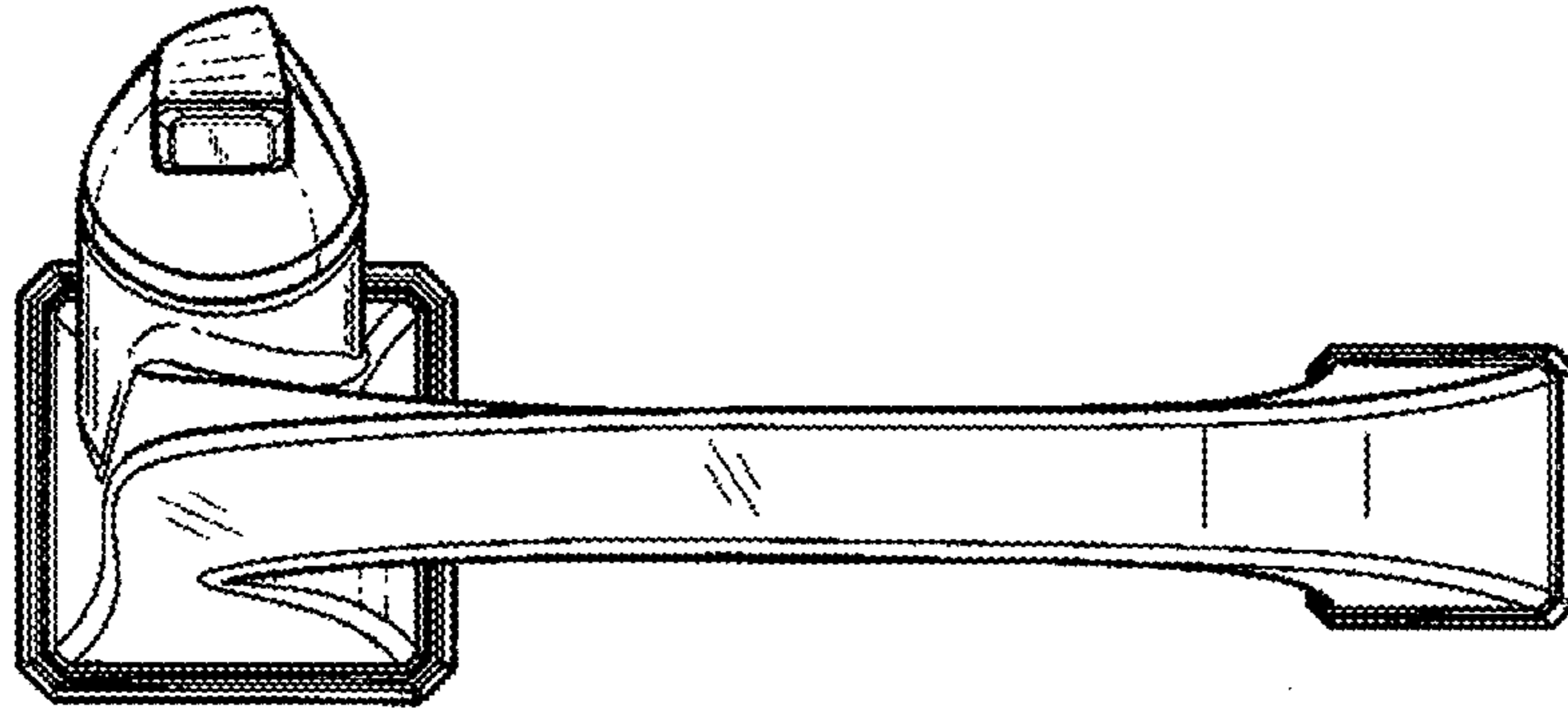


Fig-5

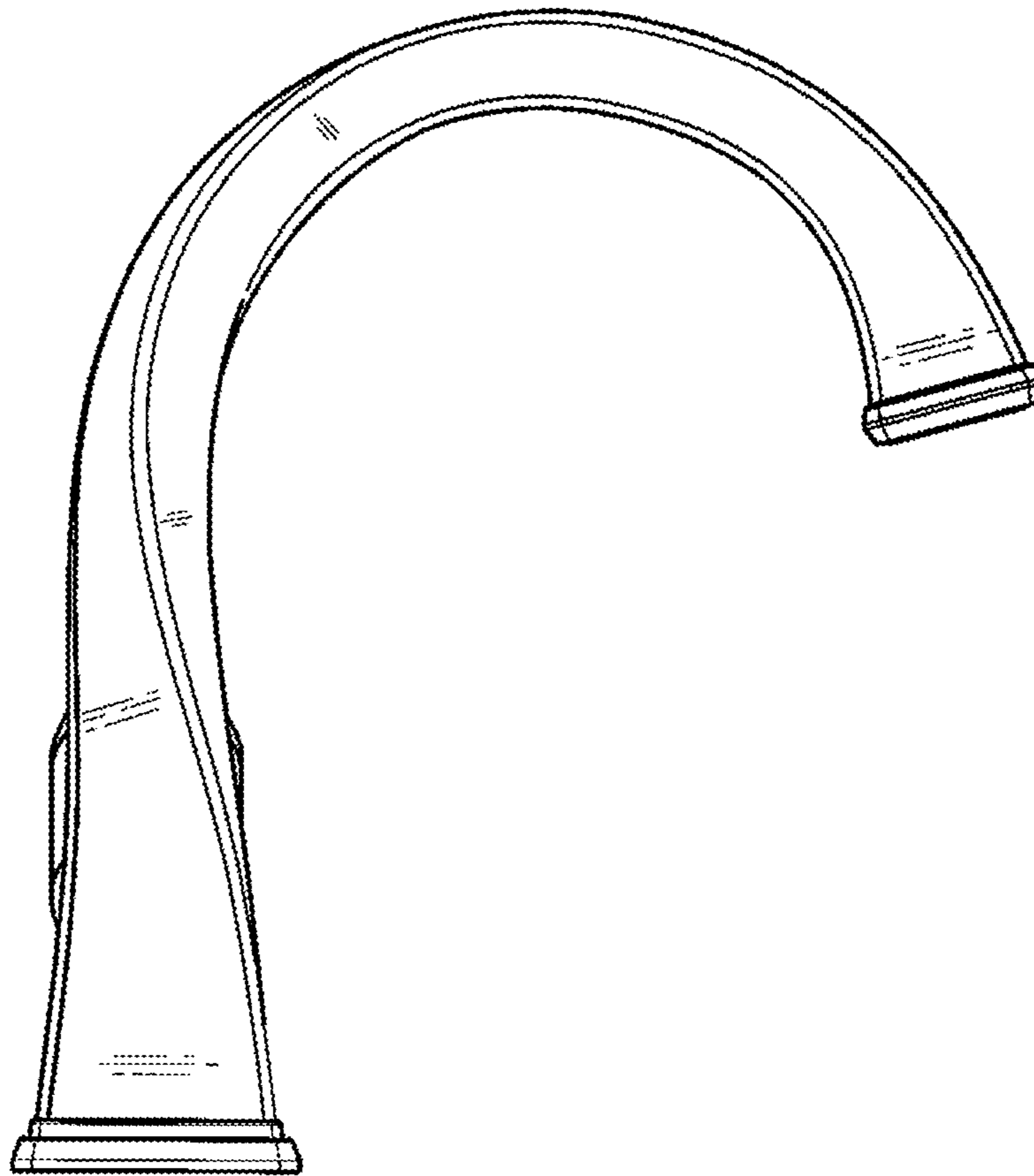


Fig-6

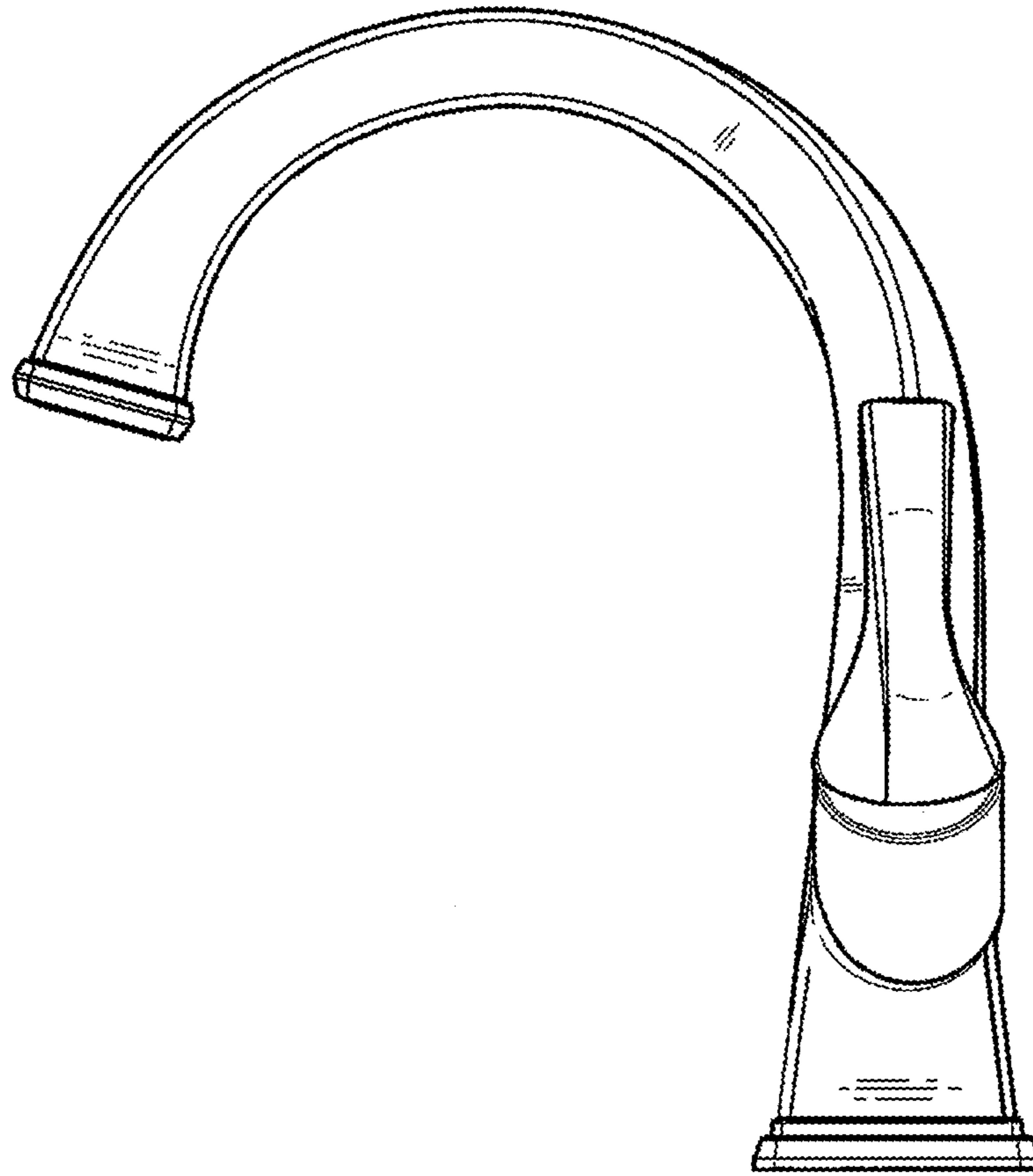


Fig-7

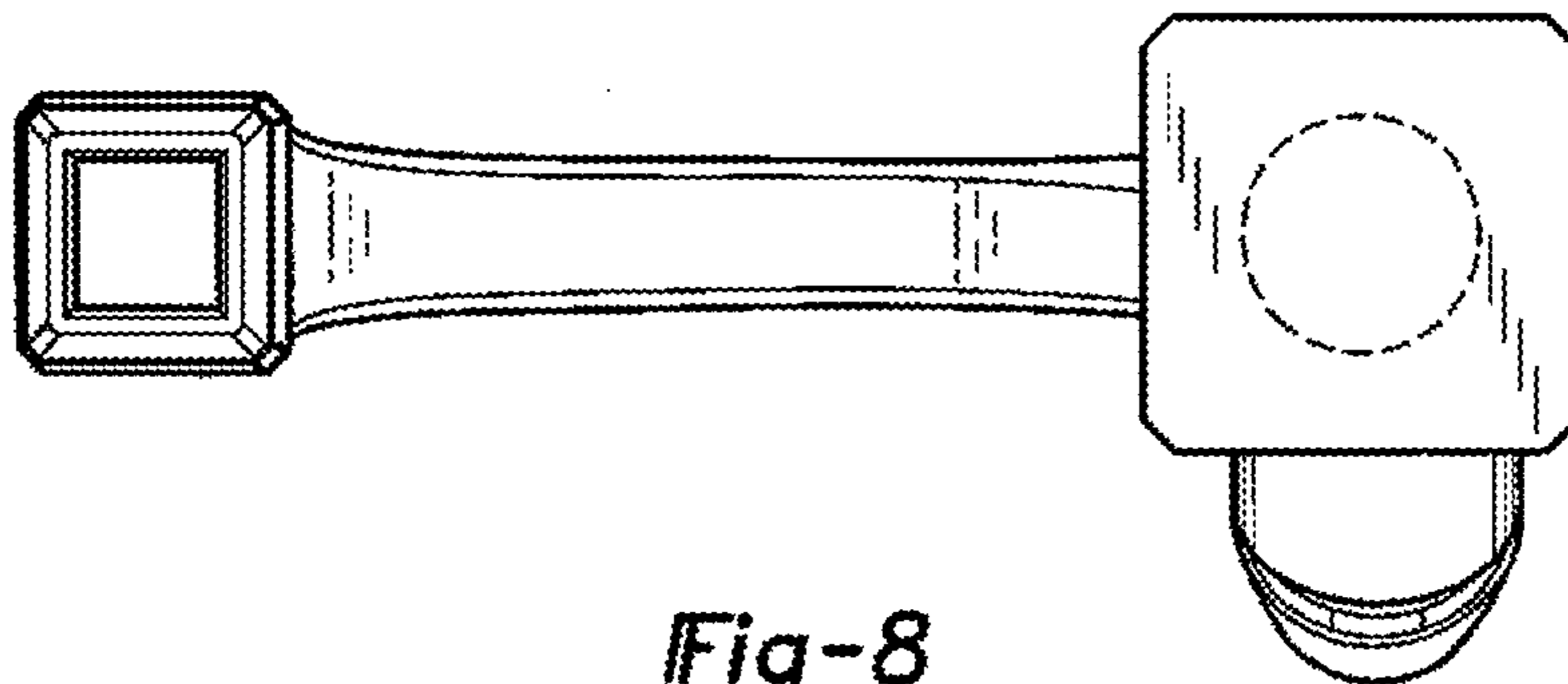


Fig-8