

US00D822167S

(12) **United States Design Patent** (10) **Patent No.:** **US D822,167 S**  
**Baker** (45) **Date of Patent:** **\*\* Jul. 3, 2018**

- (54) **VALVE HOUSING**
- (71) Applicant: **Magarl, LLC**, Naples, FL (US)
- (72) Inventor: **Thomas R. Baker**, Noblesville, IN (US)
- (73) Assignee: **Magarl, LLC**, Naples, FL (US)
- (\*\*) Term: **15 Years**
- (21) Appl. No.: **29/624,098**
- (22) Filed: **Oct. 30, 2017**

D647,598 S 10/2011 Matusche  
 D678,470 S 3/2013 Montensen  
 D720,048 S 12/2014 Winborn  
 D773,611 S \* 12/2016 Baker ..... D23/233  
 D801,480 S \* 10/2017 Baker ..... D23/233  
 2011/0056015 A1 3/2011 Perrin et al.

**OTHER PUBLICATIONS**

Bradley, "Pedestal-Mount Halo Eyewash or Eye/Face Wash;" S19214 Series; Menomonee Falls, WI, 5 pgs. Sep. 15, 2015.  
 Bradley, Model S19214BSS; <https://www.bradleycorp.com/safety/safety-eyewashes-drench-showers/pedestal-mounted-eyewashes/halo/stainless-steel-eye-face-wash-and-bowl> No Date Jan. 1, 2000.

\* cited by examiner

*Primary Examiner* — Cynthia Ramirez  
*Assistant Examiner* — Gino Colan

(74) *Attorney, Agent, or Firm* — John V Daniluck;  
 Bingham Greenebaum Doll LLP

**Related U.S. Application Data**

- (62) Division of application No. 29/586,515, filed on Dec. 5, 2016, now Pat. No. Des. 801,480, which is a division of application No. 29/522,350, filed on Mar. 30, 2015, now Pat. No. Des. 773,611.
- (51) **LOC (11) Cl.** ..... **23-01**
- (52) **U.S. Cl.**  
USPC ..... **D23/233**
- (58) **Field of Classification Search**  
USPC ..... D23/233–250; 137/488, 12, 14, 15.19, 137/493, 486, 505.11, 218, 318, 140, 137/636.2, 625.4, 625.41, 625.17, 137/170–174, 549, 625.22, 625.47, 343  
CPC ..... F16K 31/12; F16K 27/12; F16K 3/0227  
See application file for complete search history.

**CLAIM**

The ornamental design for a valve housing, as shown and described.

**DESCRIPTION**

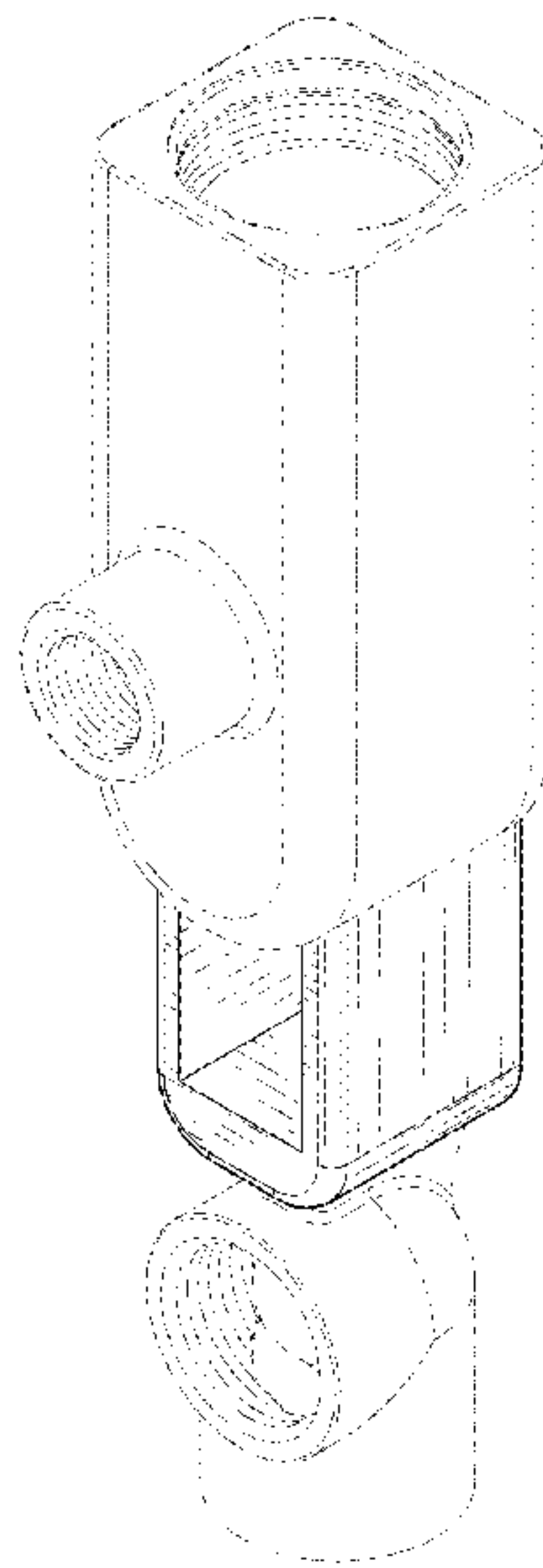
FIG. 1 is a right, front, top perspective view of a valve housing showing my new design;  
 FIG. 2 is a left, front, bottom perspective view thereof;  
 FIG. 3 is a front elevational view thereof;  
 FIG. 4 is a right elevational view thereof;  
 FIG. 5 is a rear elevational view thereof;  
 FIG. 6 is a left elevational view thereof;  
 FIG. 7 is another right elevational view thereof; and,  
 FIG. 8 is another right, front, top perspective view thereof.  
 The dotted lines shown in the figures are included for the purpose of illustrating environment and form no part of the claimed design.

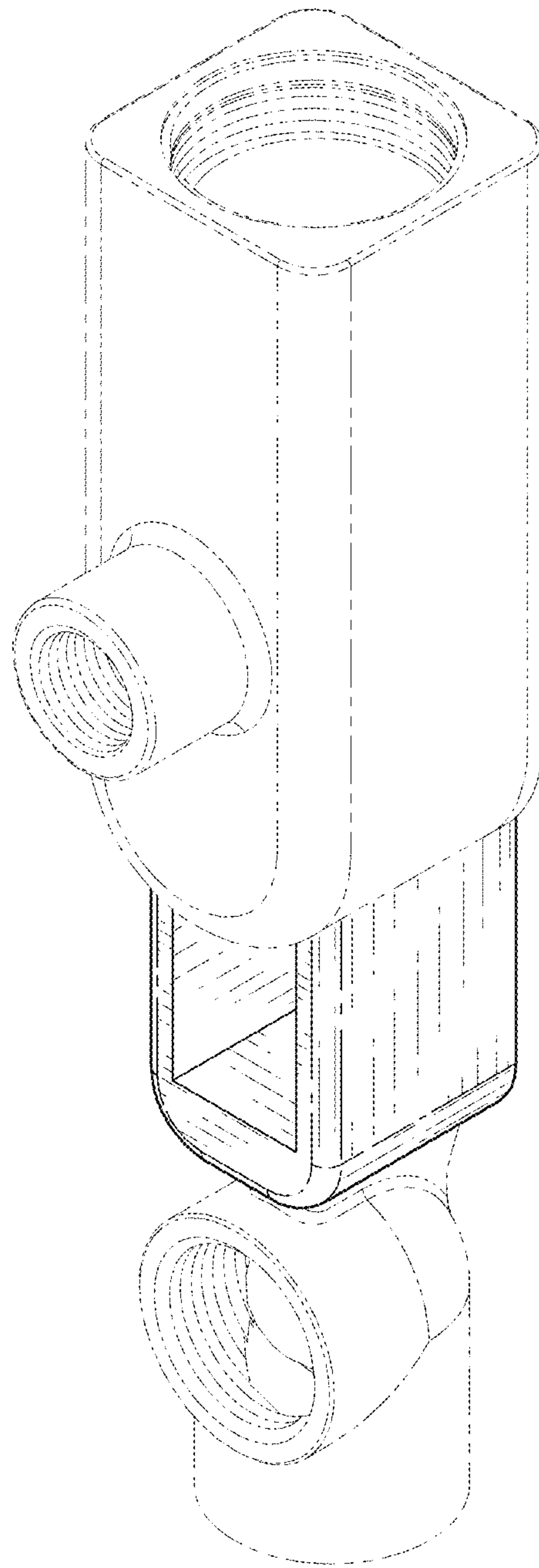
**References Cited**

**U.S. PATENT DOCUMENTS**

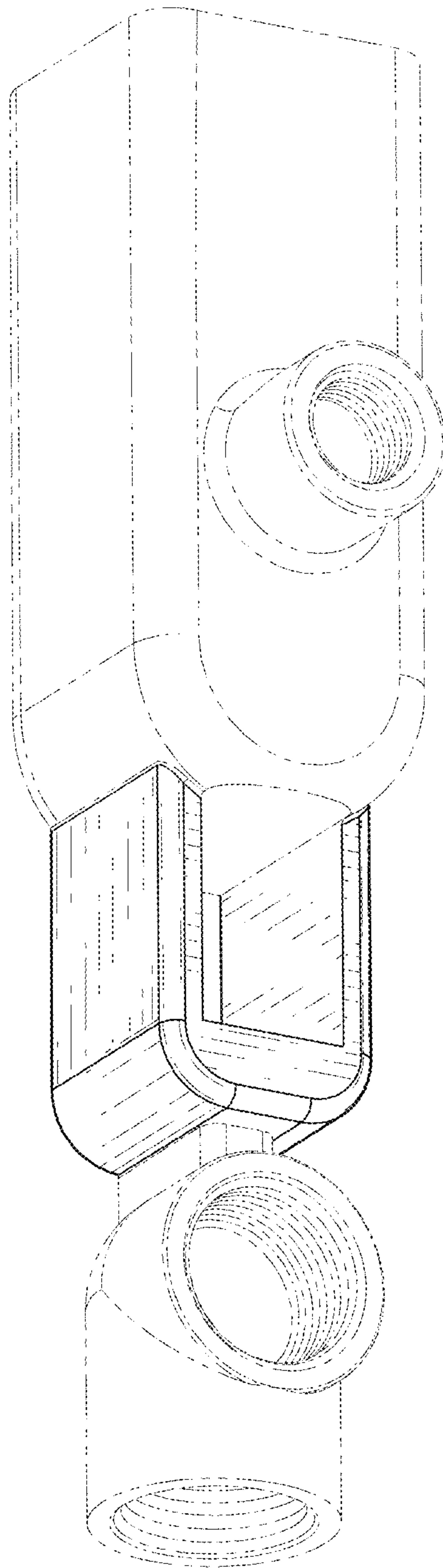
D304,486 S 11/1989 Elder  
 D568,965 S 5/2008 Johnson  
 D620,081 S 7/2010 Geideman  
 D638,521 S 5/2011 Matusche  
 D638,915 S 5/2011 Cardno

**1 Claim, 6 Drawing Sheets**

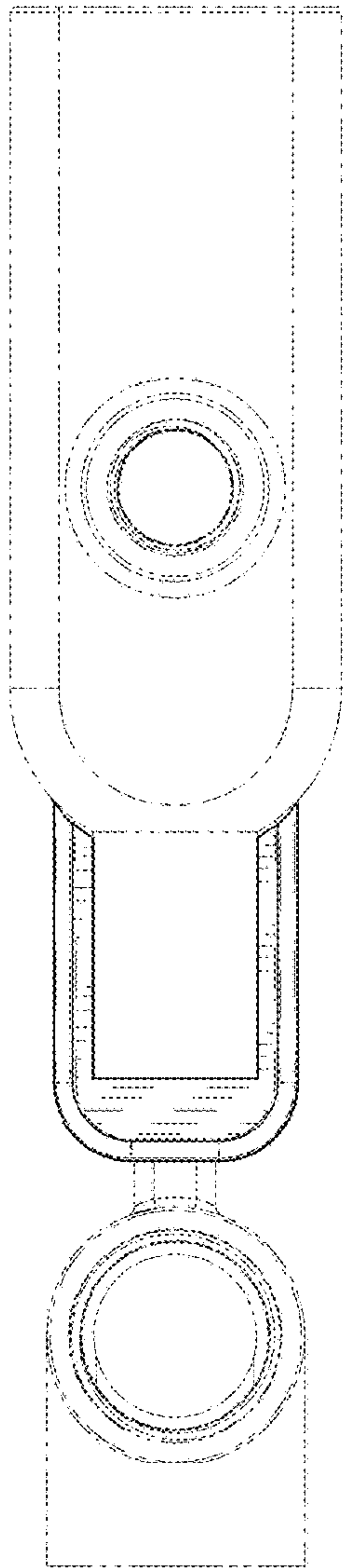




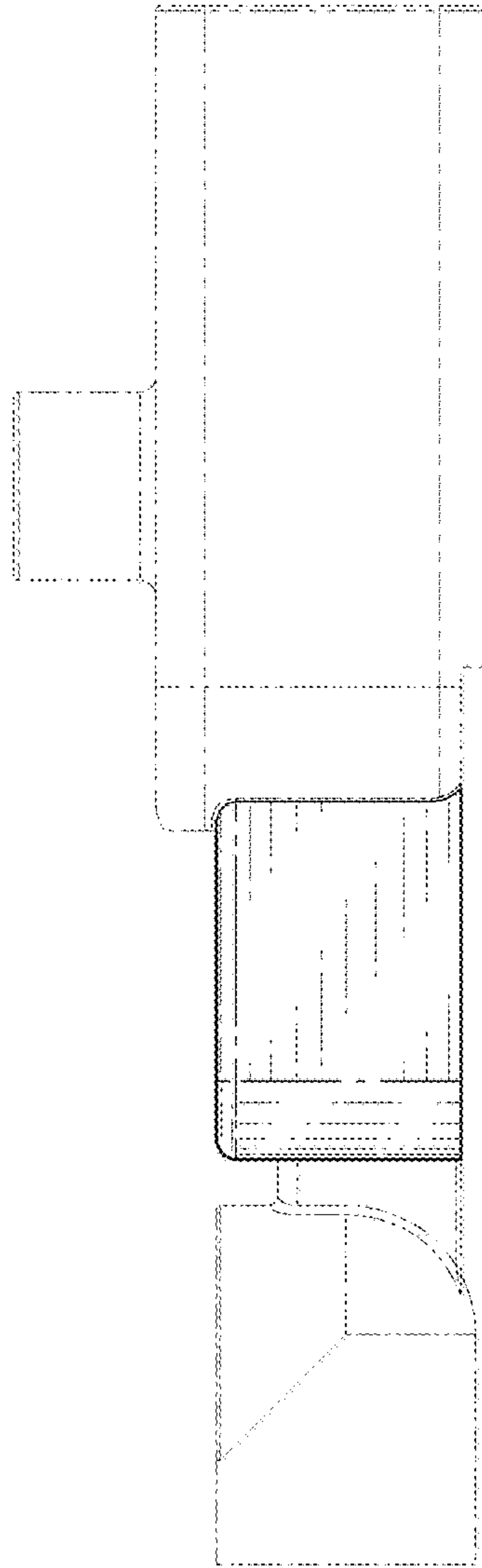
**FIG. 1**



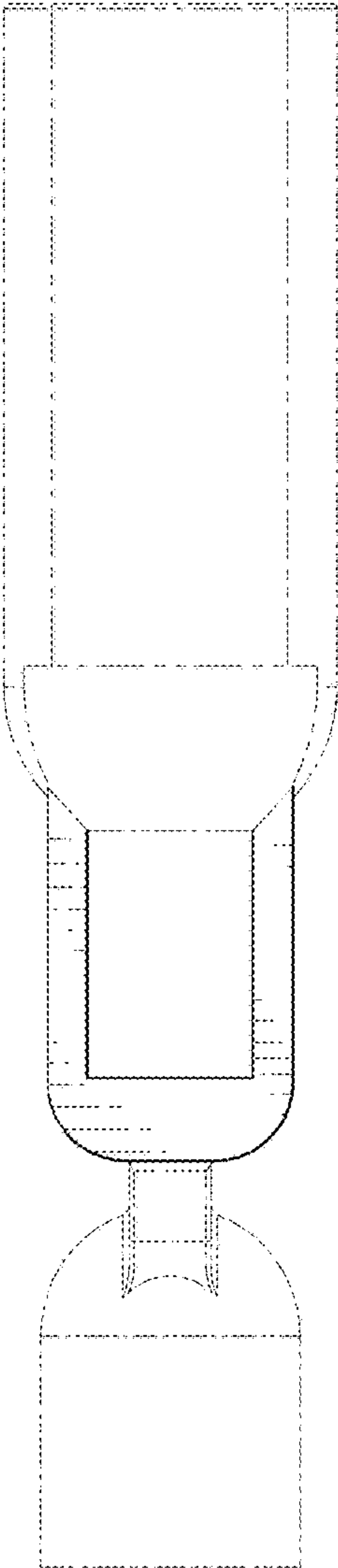
**FIG. 2**



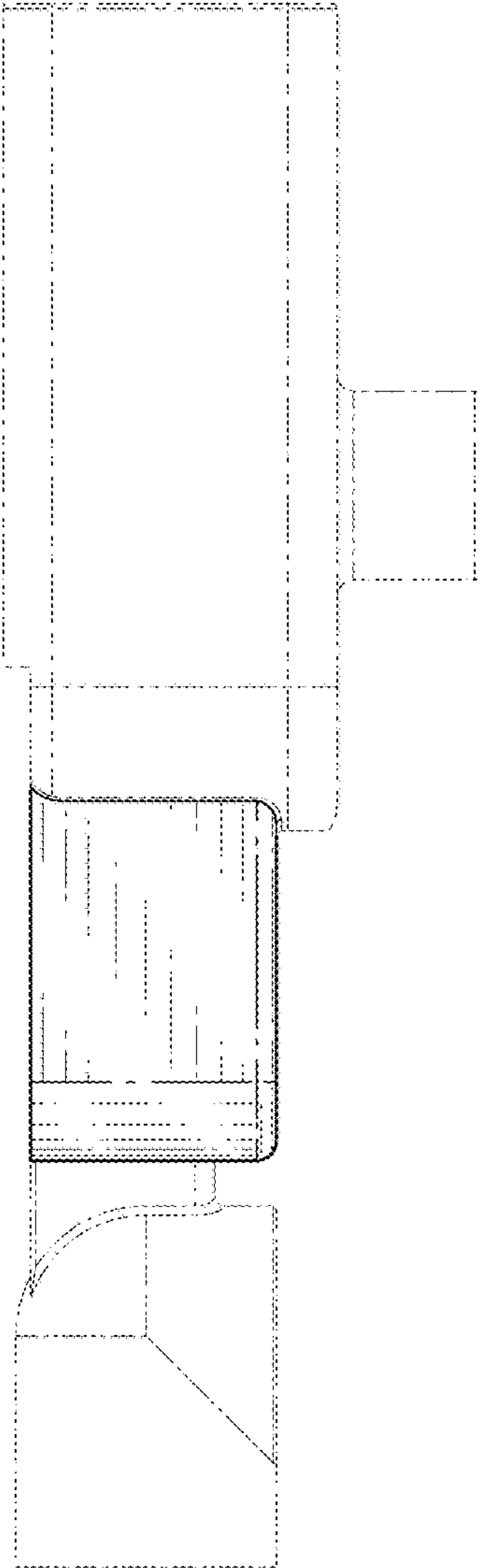
**FIG. 3**



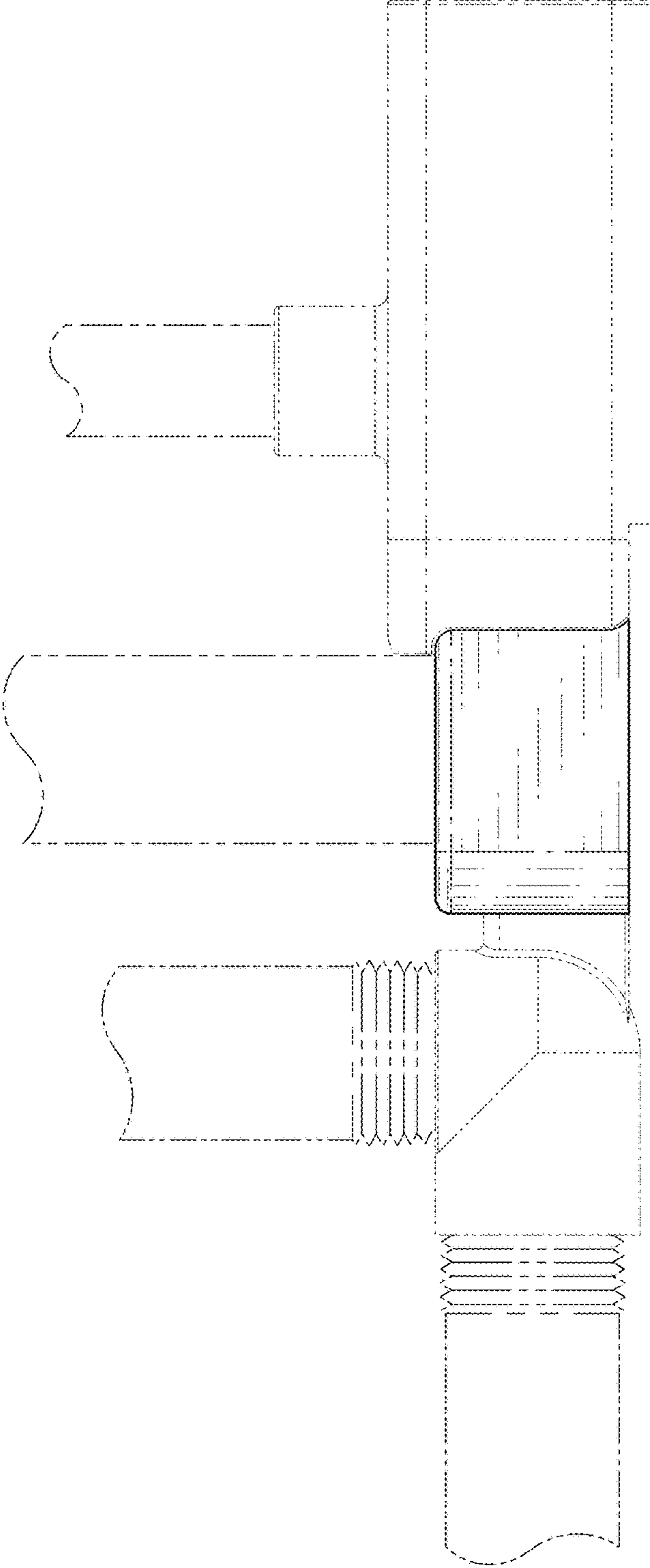
**FIG. 4**



**FIG. 5**

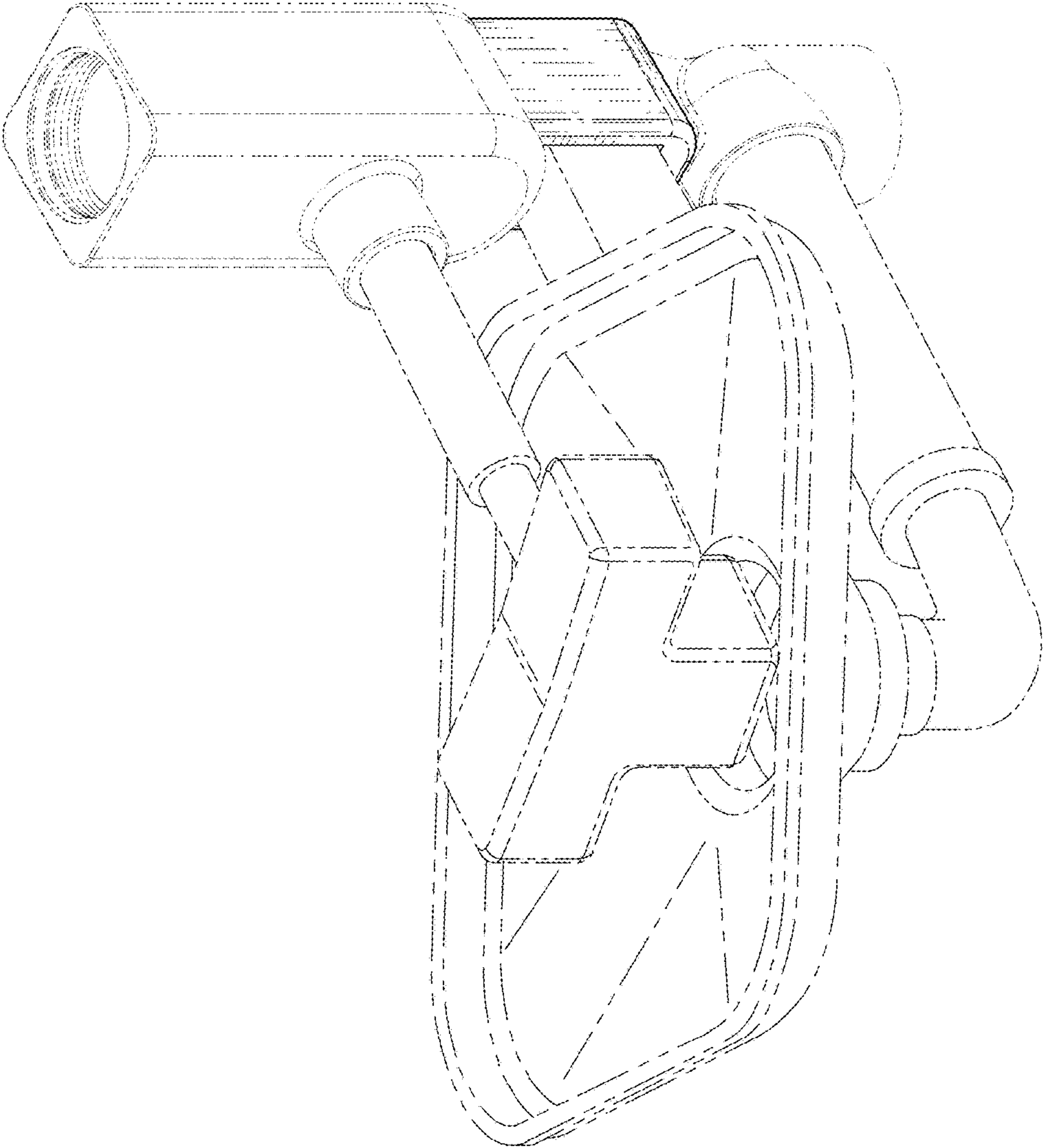


**FIG. 6**



**FIG. 7**





**FIG. 8**