



US00D822166S

(12) **United States Design Patent**
Obermöller

(10) **Patent No.:** **US D822,166 S**

(45) **Date of Patent:** **** *Jul. 3, 2018**

(54) **VALVE**

(71) Applicant: **Karl Dungs GmbH & Co. KG**,
Urbach (DE)

(72) Inventor: **Nils Obermöller**, Schorndorf (DE)

(73) Assignee: **KARL DUNGS GMBH & CO. KG**,
Urbach (DE)

(*) Notice: This patent is subject to a terminal disclaimer.

(**) Term: **15 Years**

(21) Appl. No.: **29/577,657**

(22) Filed: **Sep. 14, 2016**

(51) **LOC (11) Cl.** **23-01**

(52) **U.S. Cl.**
USPC **D23/233**

(58) **Field of Classification Search**
USPC D23/233; D13/118; 436/160; 422/51
CPC .. F01L 9/04; F01L 1/143; F04B 1/063; F16K
27/08

See application file for complete search history.

(56) **References Cited**

U.S. PATENT DOCUMENTS

D246,907 S *	1/1978	Fialkowski	D23/233
D410,522 S *	6/1999	Hayashi	D23/233
D463,011 S *	9/2002	Hirose	D23/245
D504,715 S *	5/2005	Hagihara	D23/235
D537,919 S *	3/2007	Yamashita	D23/233
D636,460 S *	4/2011	Hayashi	D23/233
7,947,223 B2 *	5/2011	Carlsson	G01N 25/20 374/31
D731,028 S *	6/2015	Weidner	D23/233
2009/0301581 A1 *	12/2009	MacNeal	F16K 1/306 137/505.14
2016/0040800 A1 *	2/2016	Gosling	F16K 27/065 251/367

FOREIGN PATENT DOCUMENTS

DE	102012202569	A1 *	8/2013	F01L 1/143
EM	EP002765309	A1 *	8/2014	F04B 1/063
EM	0003029149-0004	*	3/2016		
EM	0003029149-0006	*	3/2016		

(Continued)

OTHER PUBLICATIONS

MultiBlock posted by Dungs posted date unknown, © Dungs Combustion Control, [online], [site visited Aug. 31, 2017]. Available from Internet, <https://www.dungs.com/en/service/press-information/>.*

(Continued)

Primary Examiner — Cynthia Ramirez

Assistant Examiner — Laura H Yu

(74) *Attorney, Agent, or Firm* — Fitch, Even, Tabin & Flannery, LLP

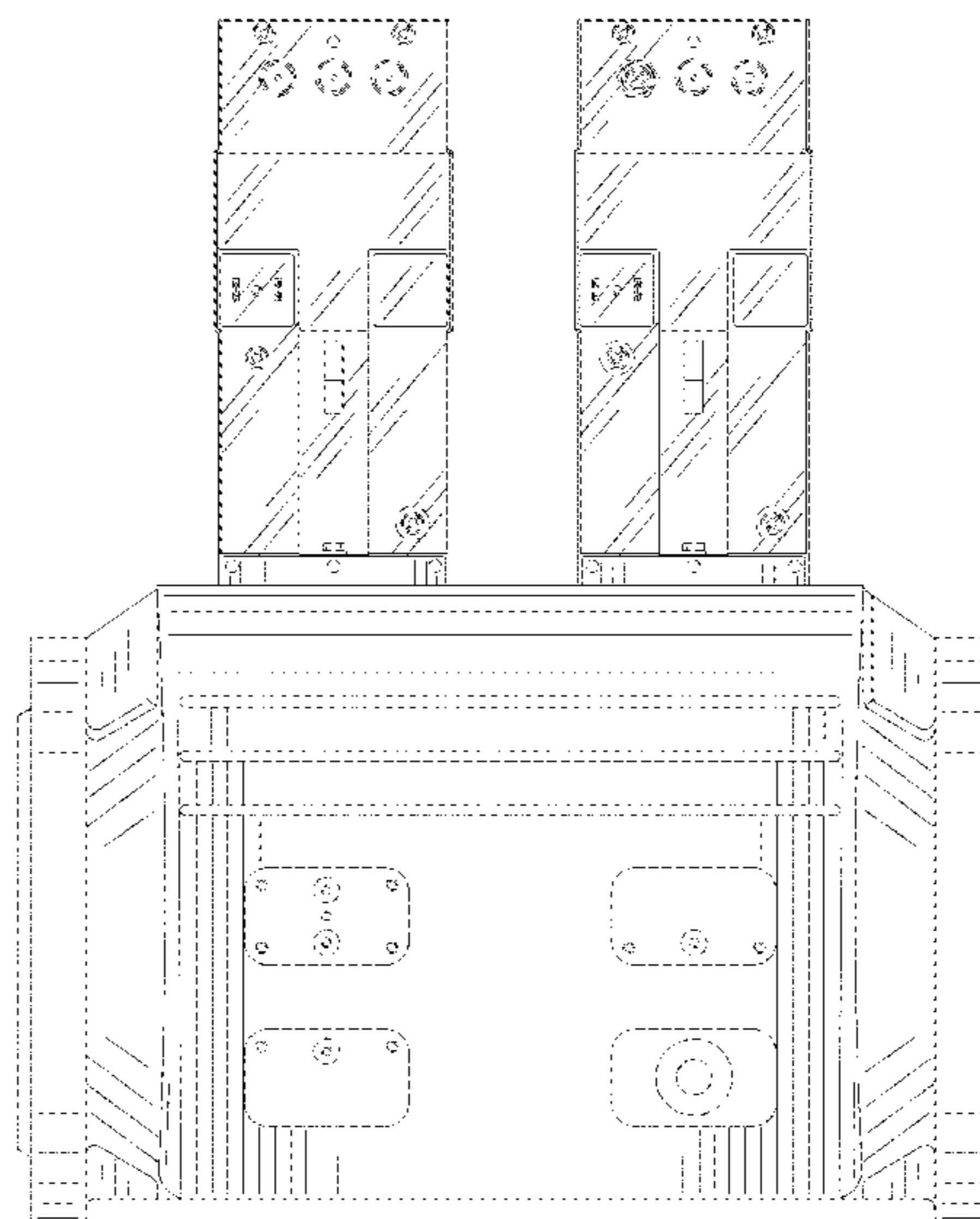
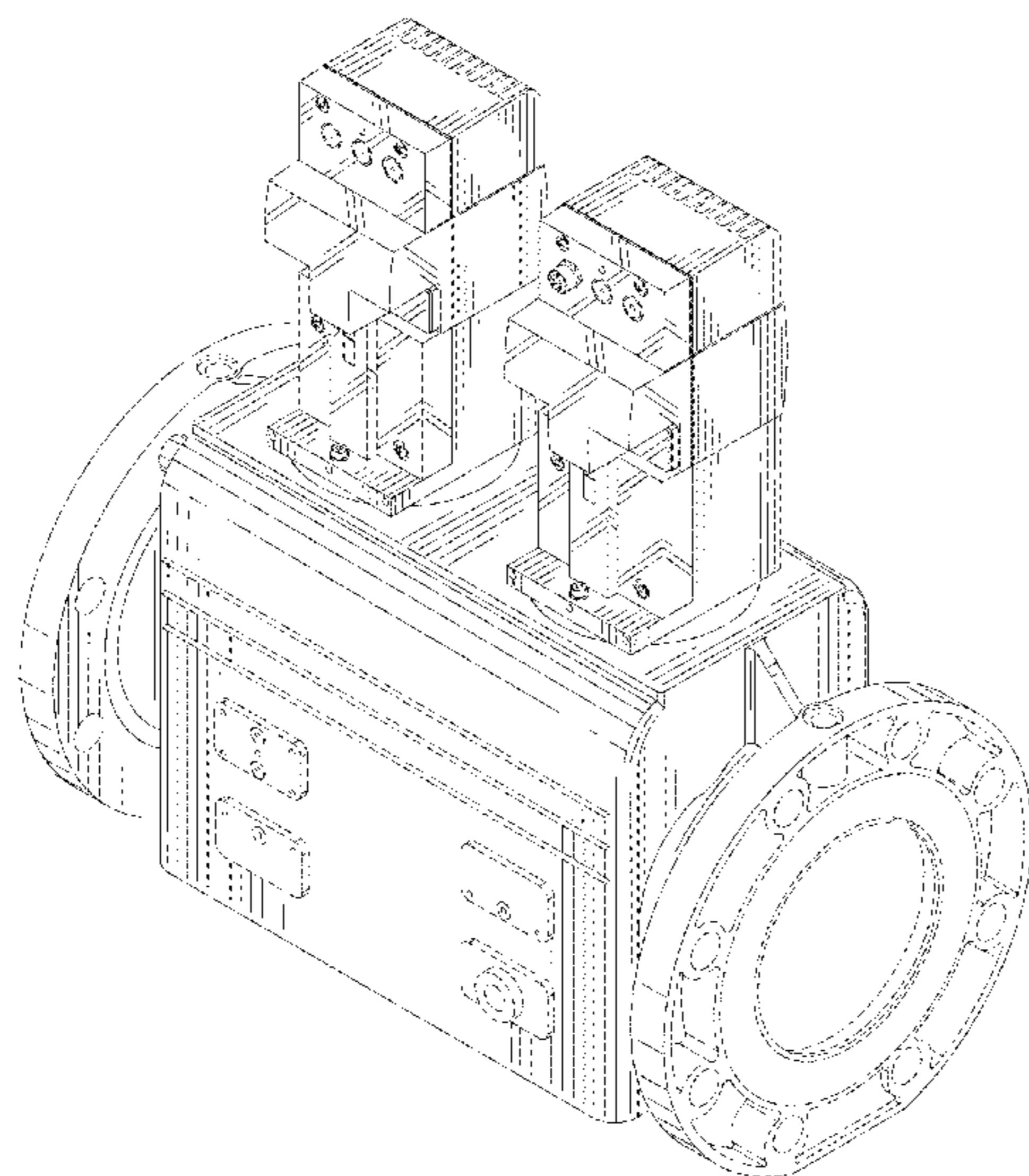
(57) **CLAIM**

I claim the ornamental design for a valve, as shown and described.

DESCRIPTION

FIG. 1 is a perspective view of a valve of my new design; FIG. 2 is a front elevational view of the valve of FIG. 1; FIG. 3 is a rear elevational view of the valve of FIG. 1; FIG. 4 is a right side elevational view of the valve of FIG. 1; FIG. 5 is a left side elevational view of the valve of FIG. 1; FIG. 6 is a top plan view of the valve of FIG. 1; and, FIG. 7 is a bottom plan view of the valve of FIG. 1. The broken lines in the figures are for the purpose of illustrating portions of the valve that form no part of the claimed design.

1 Claim, 6 Drawing Sheets



(56)

References Cited

FOREIGN PATENT DOCUMENTS

EM 0003029149-0007 * 3/2016
JP 2015037856 * 9/2016 F16K 31/44

OTHER PUBLICATIONS

Combustion Controls posted by Dungs posted date Mar. 10, 2017, © Dungs Combustion Control, [online], [site visited Aug. 31, 2017]. Available from Internet, <https://www.dungs.com/en/service/press-information/>.*

* cited by examiner

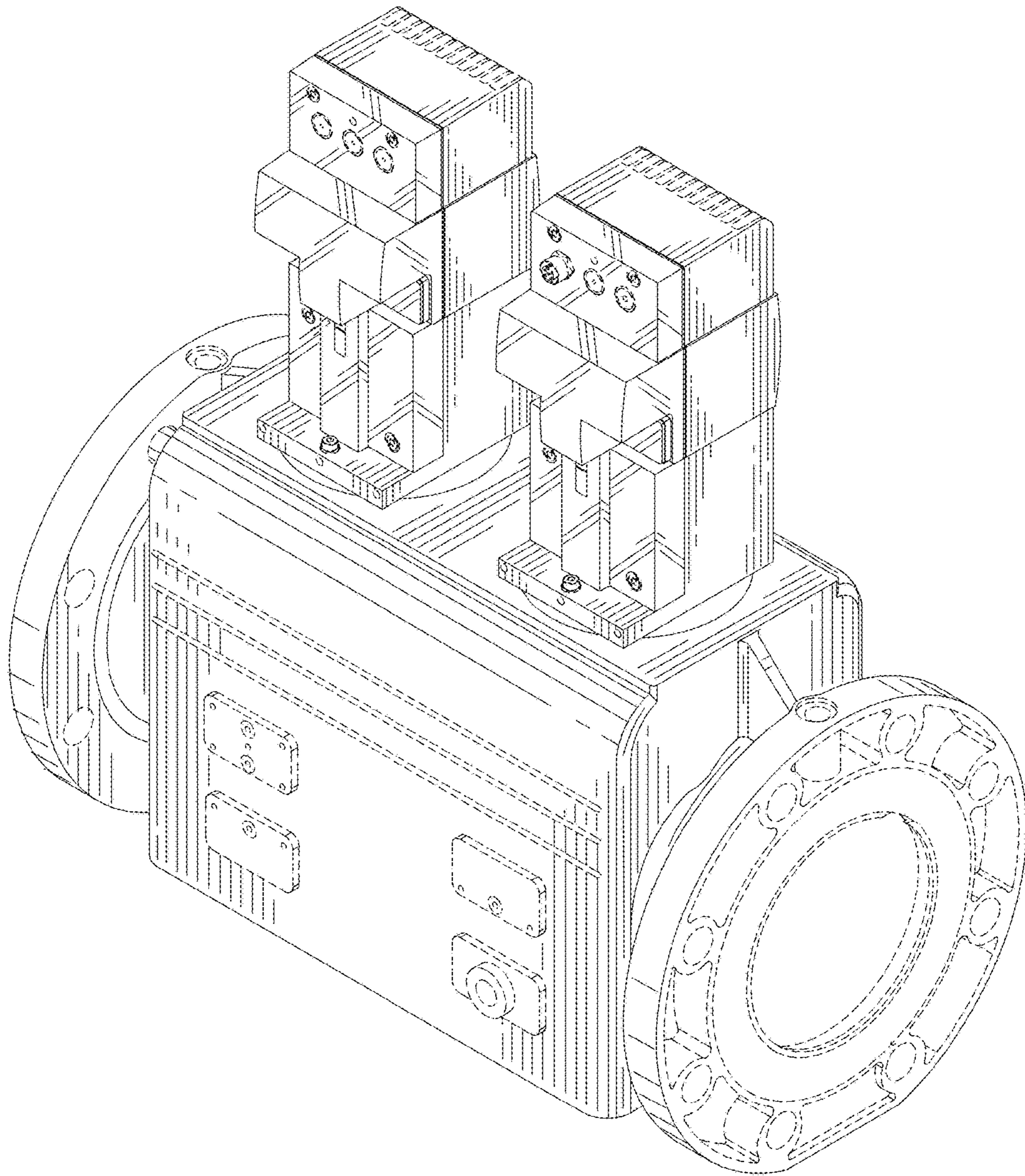


FIG. 1

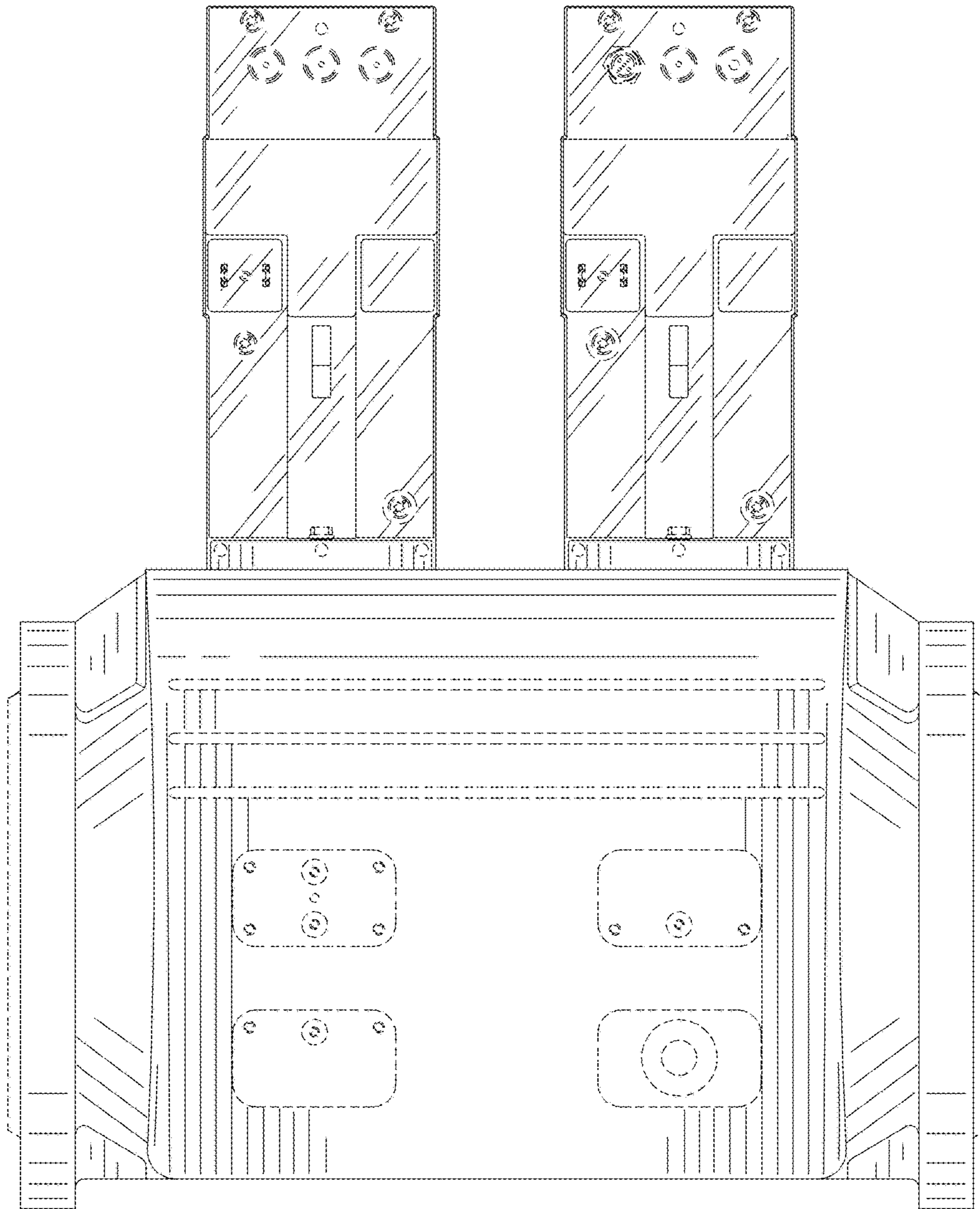


FIG. 2

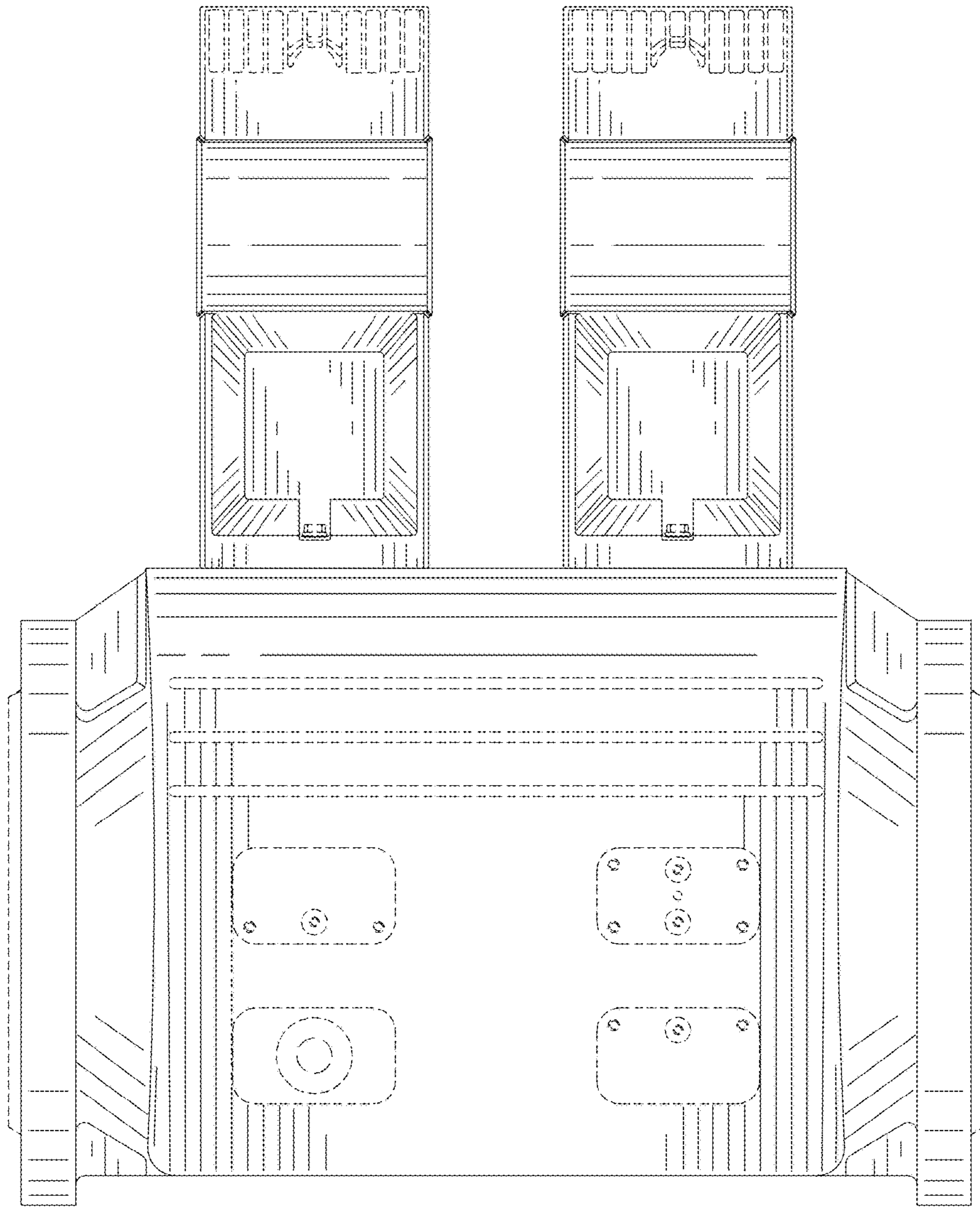


FIG. 3

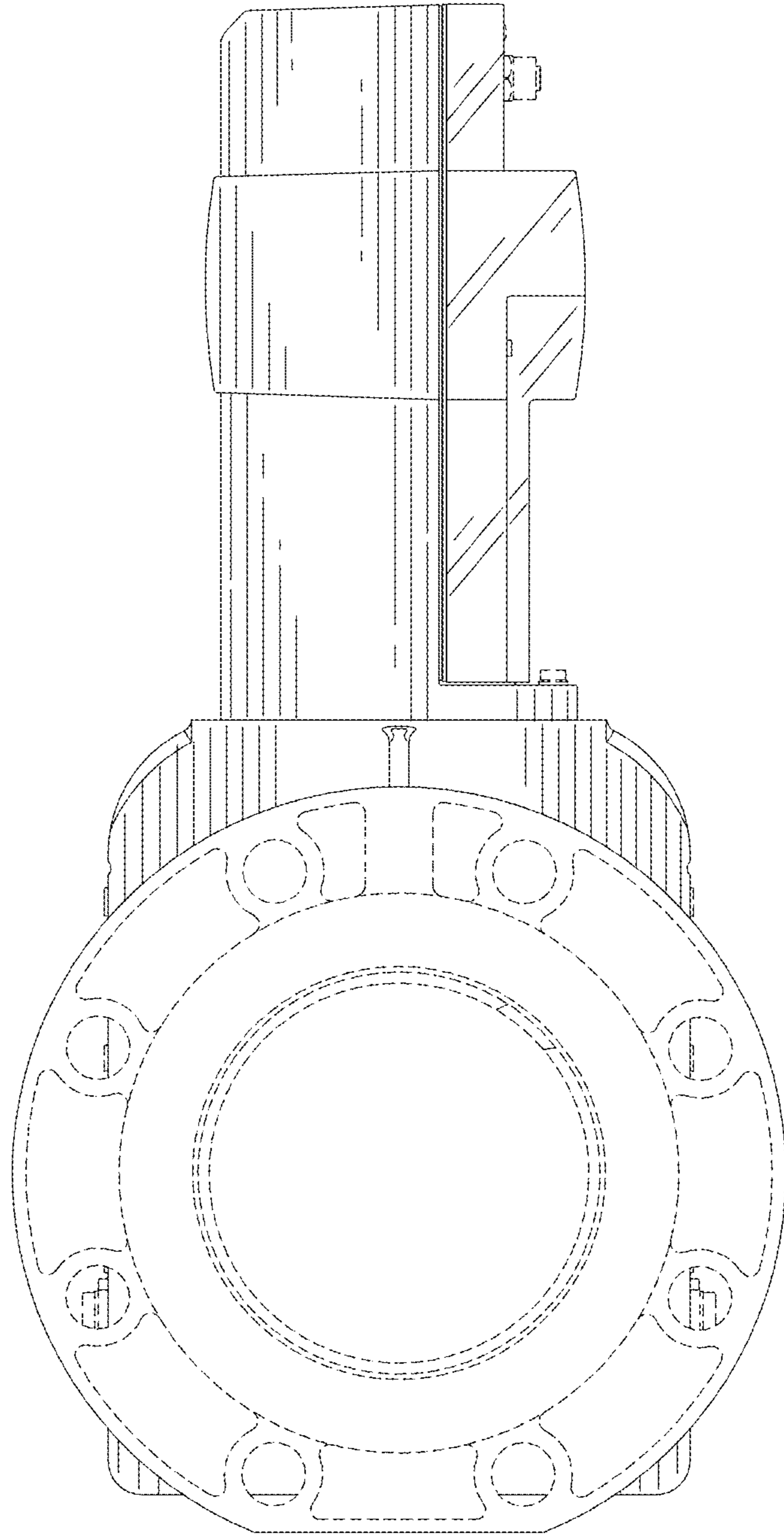


FIG. 4

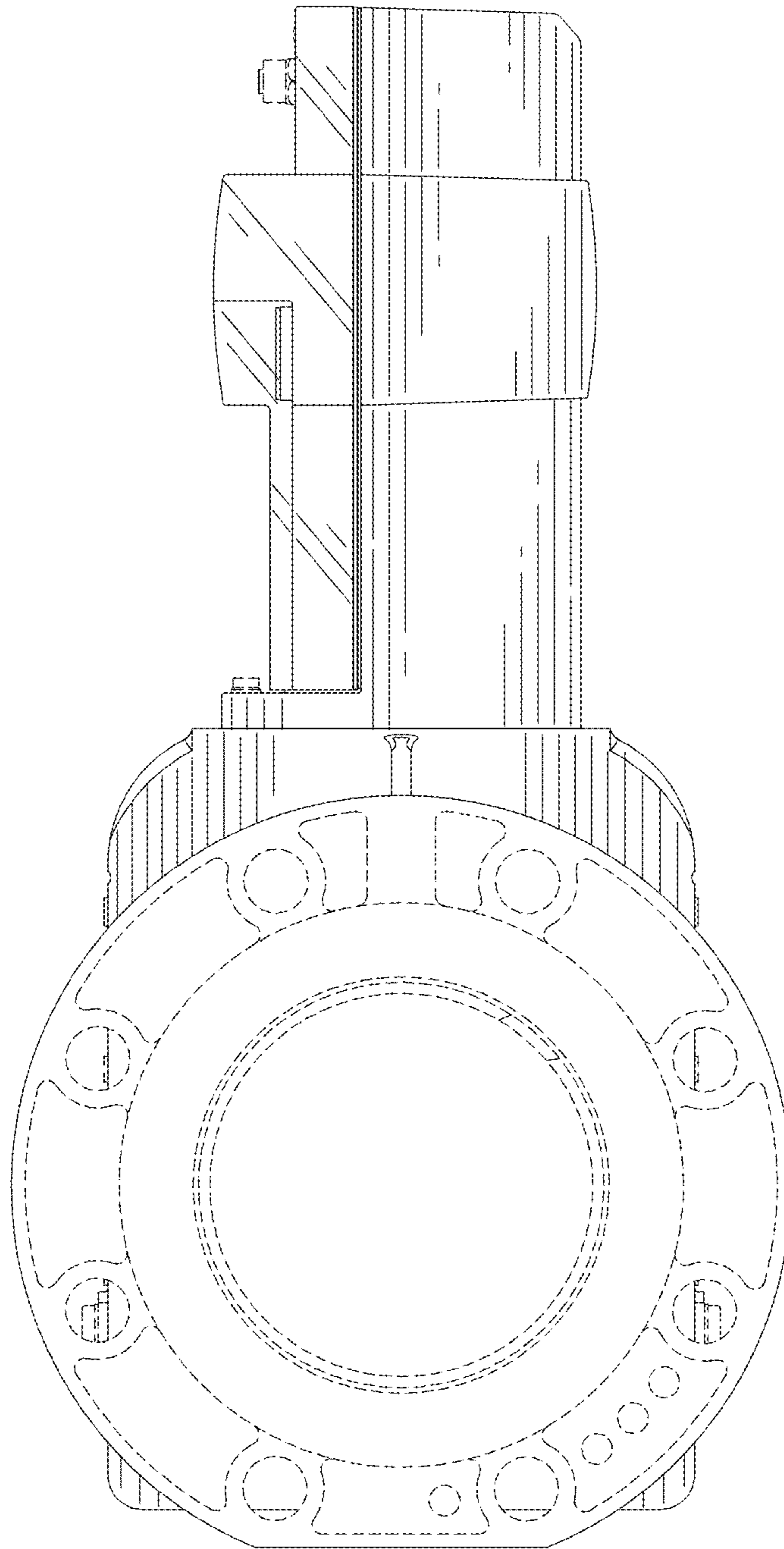


FIG. 5

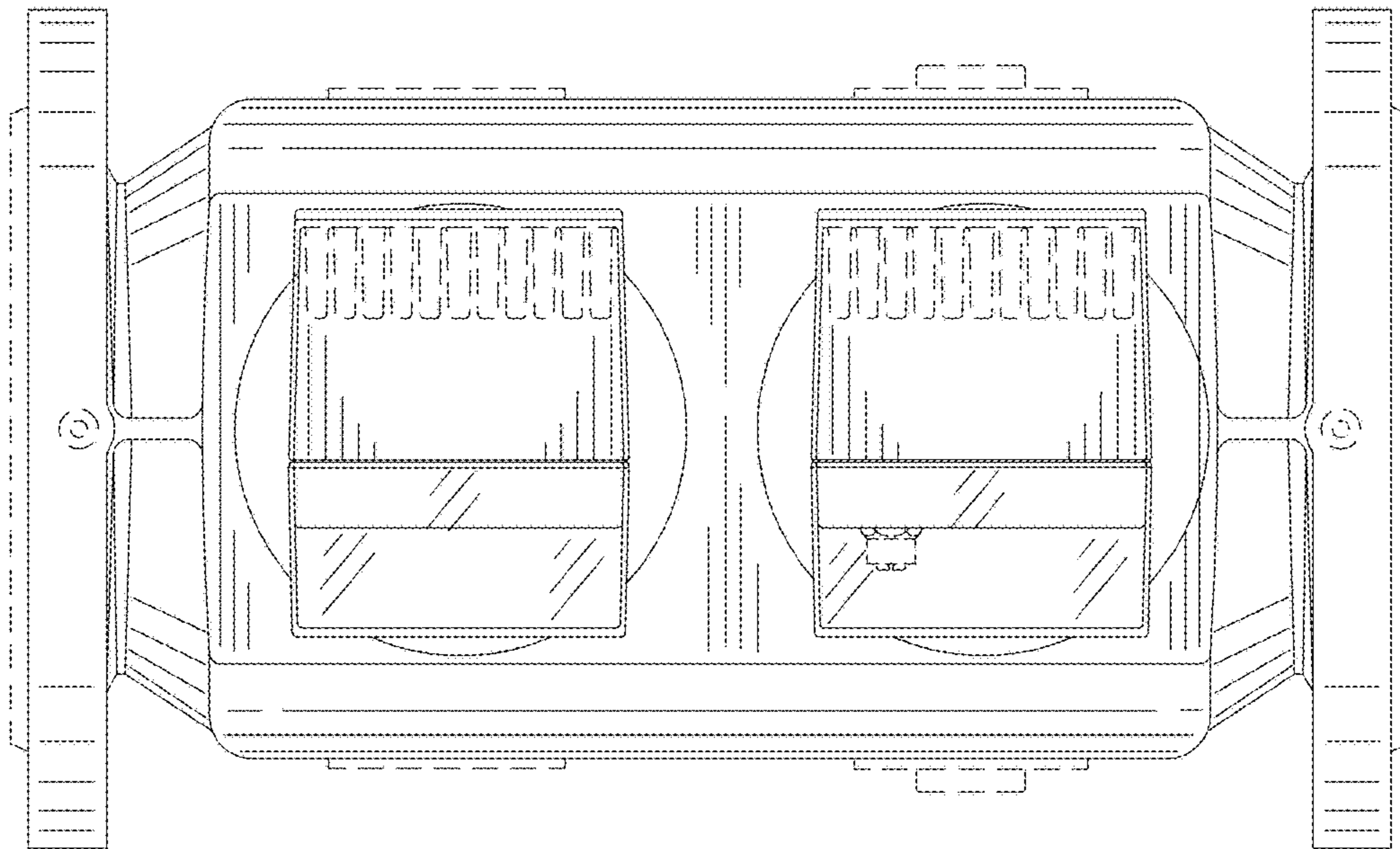


FIG. 6

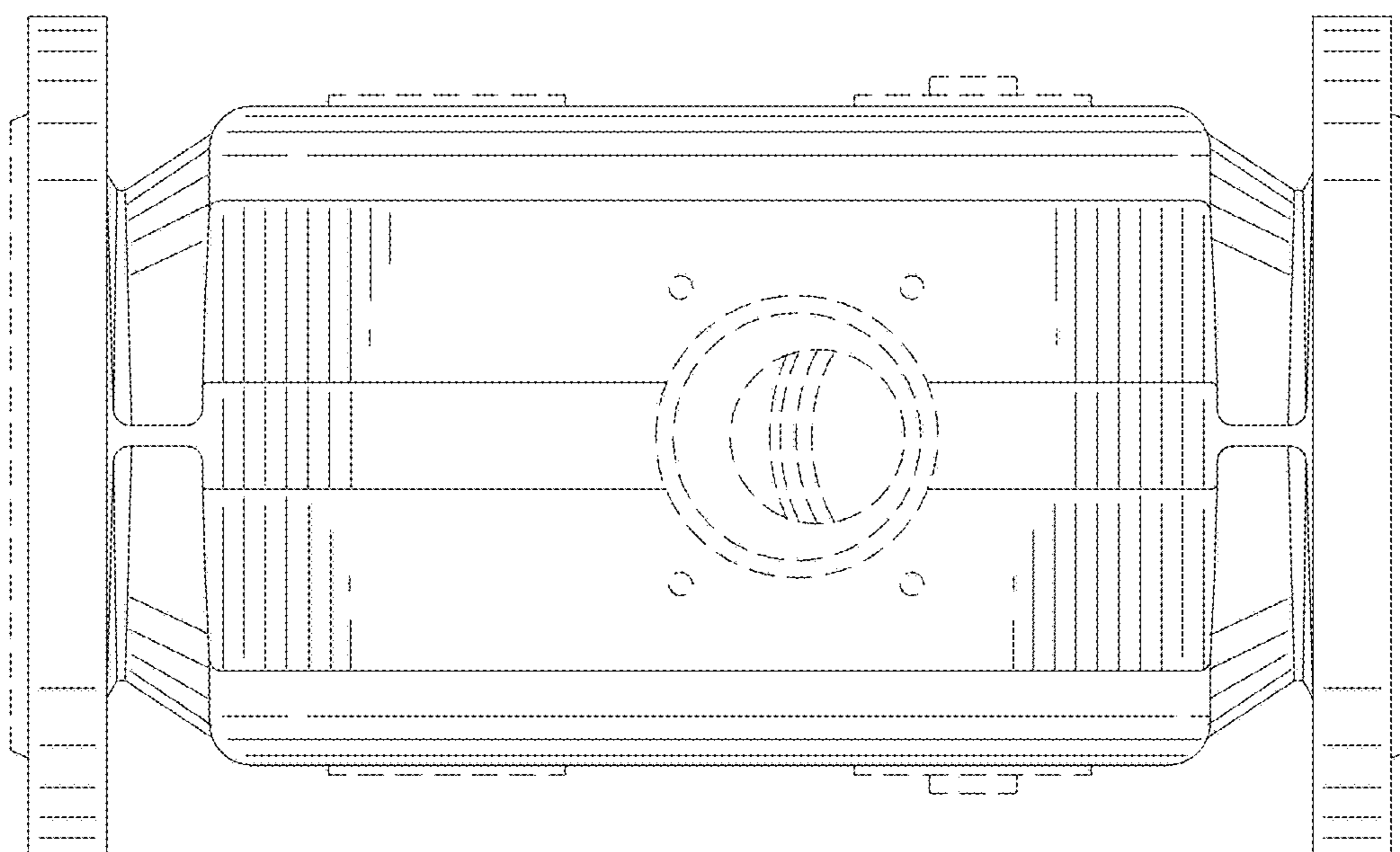


FIG. 7