



US00D822165S

(12) **United States Design Patent**
Rycroft

(10) **Patent No.:** **US D822,165 S**
(45) **Date of Patent:** **** Jul. 3, 2018**

- (54) **VALVE WITH ANGLED FLANGE**
- (71) Applicant: **Reliance Worldwide Corporation (Aust.) Pty. Ltd., Melbourne (AU)**
- (72) Inventor: **Alex Rycroft, Melbourne (AU)**
- (73) Assignee: **Reliance Worldwide Corporation (Aust.) Pty. Ltd., Melbourne (AU)**
- (**) Term: **15 Years**
- (21) Appl. No.: **29/564,523**
- (22) Filed: **May 13, 2016**

D690,390 S *	9/2013	Garm	D23/233
D693,429 S	11/2013	Thibodeaux, Jr.	
D722,362 S	2/2015	Kluss et al.	
D722,363 S	2/2015	Kluss et al.	
D736,896 S *	8/2015	Nishimura	D23/233
D746,951 S	1/2016	Gledhill et al.	
D746,952 S	1/2016	Gledhill et al.	
D746,953 S	1/2016	Gledhill et al.	
D746,954 S	1/2016	Gledhill et al.	
D746,958 S	1/2016	Gledhill et al.	
D747,361 S	1/2016	Franklin	
D747,444 S	1/2016	Gledhill et al.	
9,228,681 B2	1/2016	Kluss	
D751,673 S	3/2016	Gledhill et al.	
D751,674 S	3/2016	Gledhill et al.	
D751,675 S	3/2016	Gledhill et al.	
D756,494 S	5/2016	Gledhill et al.	

(Continued)

(30) **Foreign Application Priority Data**

Nov. 16, 2015 (AU) 201516180

(51) **LOC (11) Cl.** **23-01**

(52) **U.S. Cl.**
USPC **D23/233**

(58) **Field of Classification Search**
USPC D23/233, 235, 241, 242, 244, 245, 246,
D23/247, 248; 137/625.4, 15.18, 876;
251/129.11, 249.5, 318, 335.3, 305, 335
CPC . F16K 11/07; F16K 11/22; F16K 5/00; F16K
31/04; G05D 16/16; G05D 7/01; F16L
27/12

See application file for complete search history.

(56) **References Cited**

U.S. PATENT DOCUMENTS

D437,917 S *	2/2001	Weingarten	D23/244
D621,003 S *	8/2010	Gramegna	D23/233
8,322,755 B2	12/2012	Kluss et al.	
8,327,871 B1	12/2012	Franklin et al.	
D676,940 S	2/2013	Kluss et al.	
D676,941 S	2/2013	Kluss et al.	
D676,942 S	2/2013	Kluss et al.	
D676,943 S	2/2013	Kluss et al.	

Primary Examiner — Cynthia Ramirez

Assistant Examiner — Gino Colan

(74) *Attorney, Agent, or Firm* — Bush Intellectual Property Law; Kenneth M. Bush

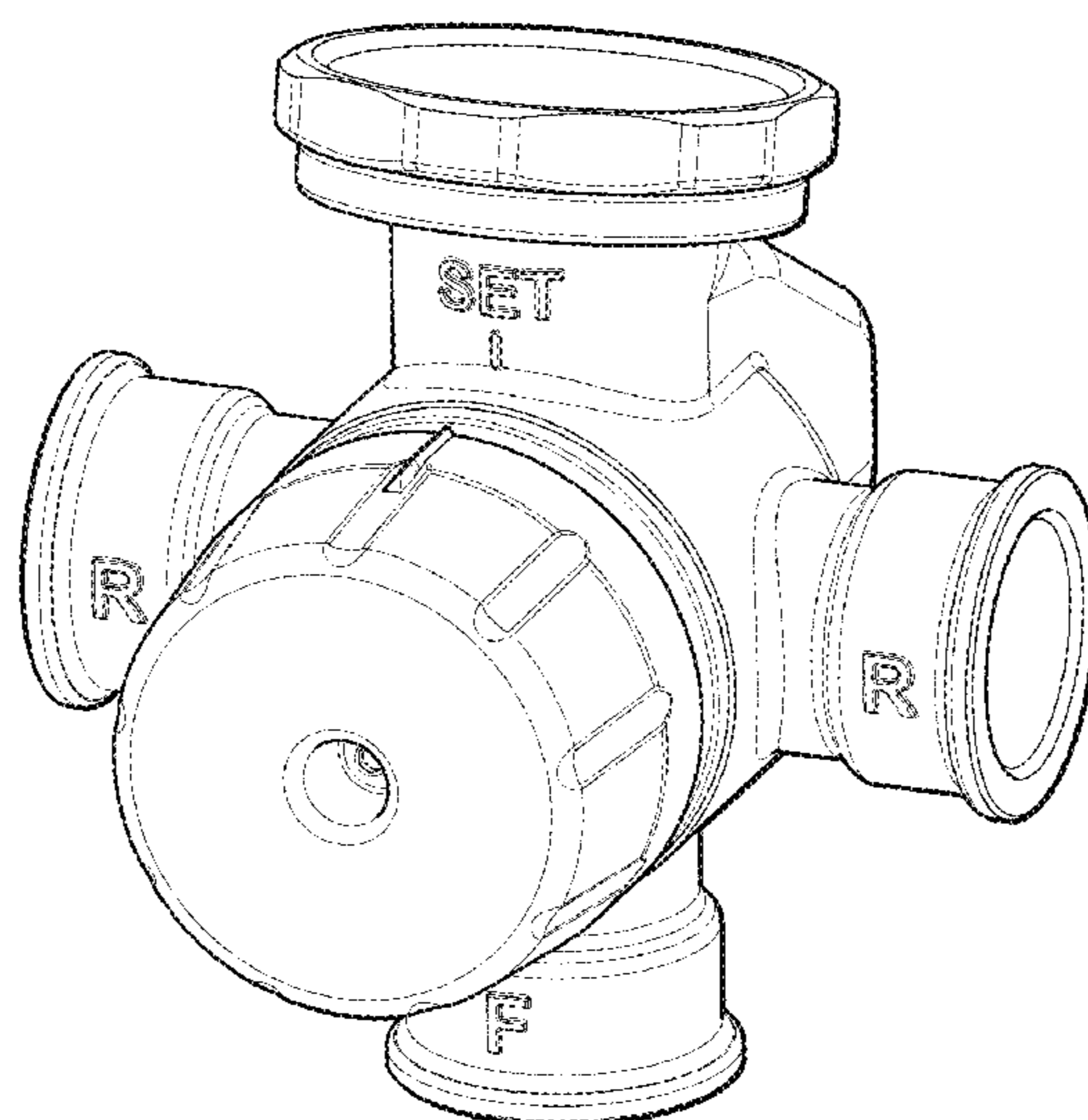
(57) **CLAIM**

I claim the ornamental design for a valve with angled flange, as shown and described.

DESCRIPTION

FIG. 1 is a front top perspective view of a valve with angled flange showing my new design;
 FIG. 2 is a rear bottom perspective view thereof;
 FIG. 3 is a front view thereof;
 FIG. 4 is a rear view thereof;
 FIG. 5 is a top view thereof;
 FIG. 6 is a bottom view thereof;
 FIG. 7 is a left side view thereof; and,
 FIG. 8 is a right side view thereof.
 The broken lines shown in the figures are included for the purpose of illustrating portions of the valve with angled flange and form no part of the claimed design.

1 Claim, 8 Drawing Sheets



(56)

References Cited

U.S. PATENT DOCUMENTS

D758,540 S * 6/2016 Shishido D23/233
D796,633 S * 9/2017 Adey D23/233
2016/0018010 A1 1/2016 Forrestal
2016/0033065 A1 2/2016 Graham et al.
2016/0246306 A1* 8/2016 Giubertoni G05D 7/01
2016/0266586 A1* 9/2016 Pettinaroli F16K 1/32

* cited by examiner

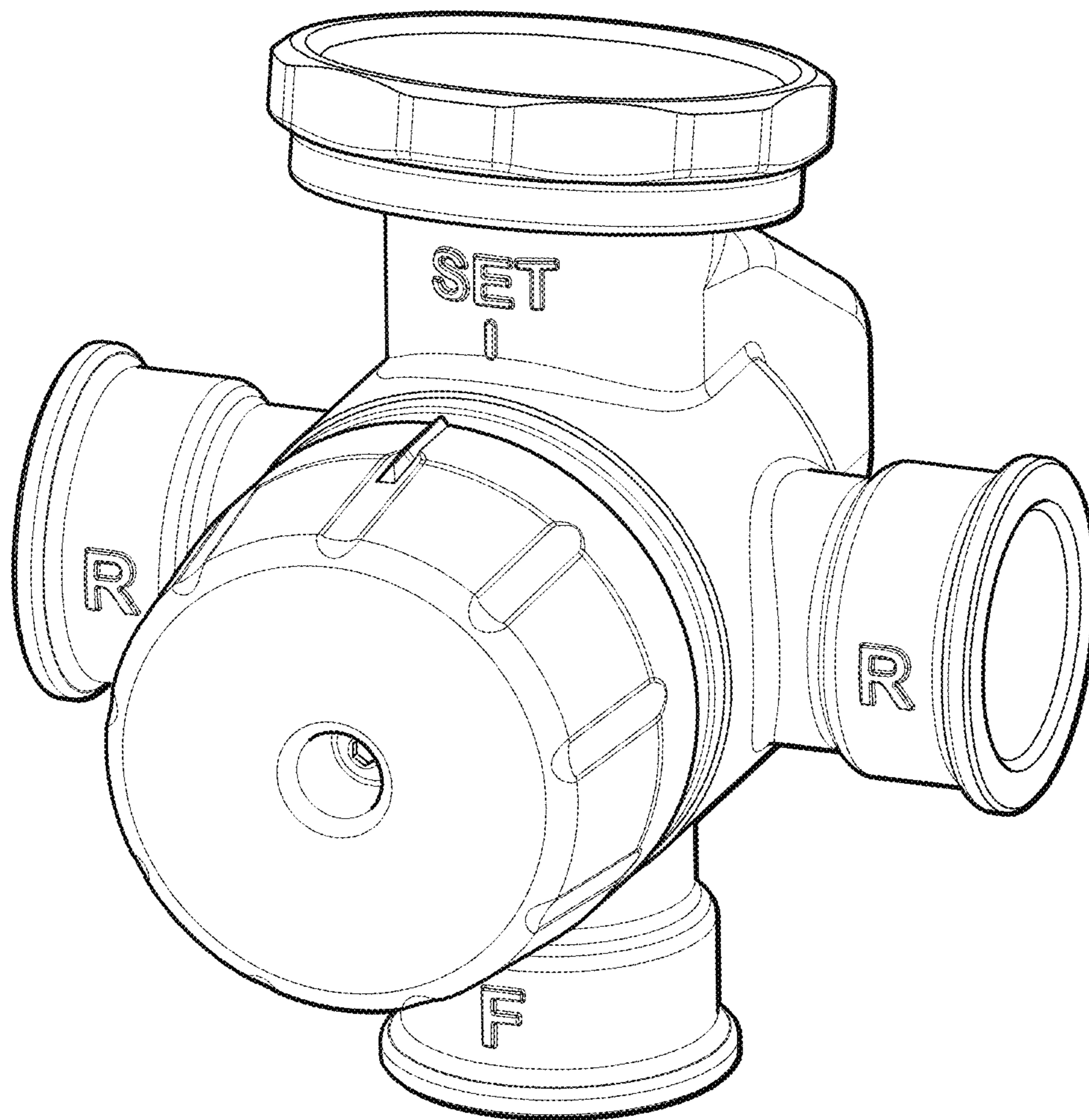


FIG. 1

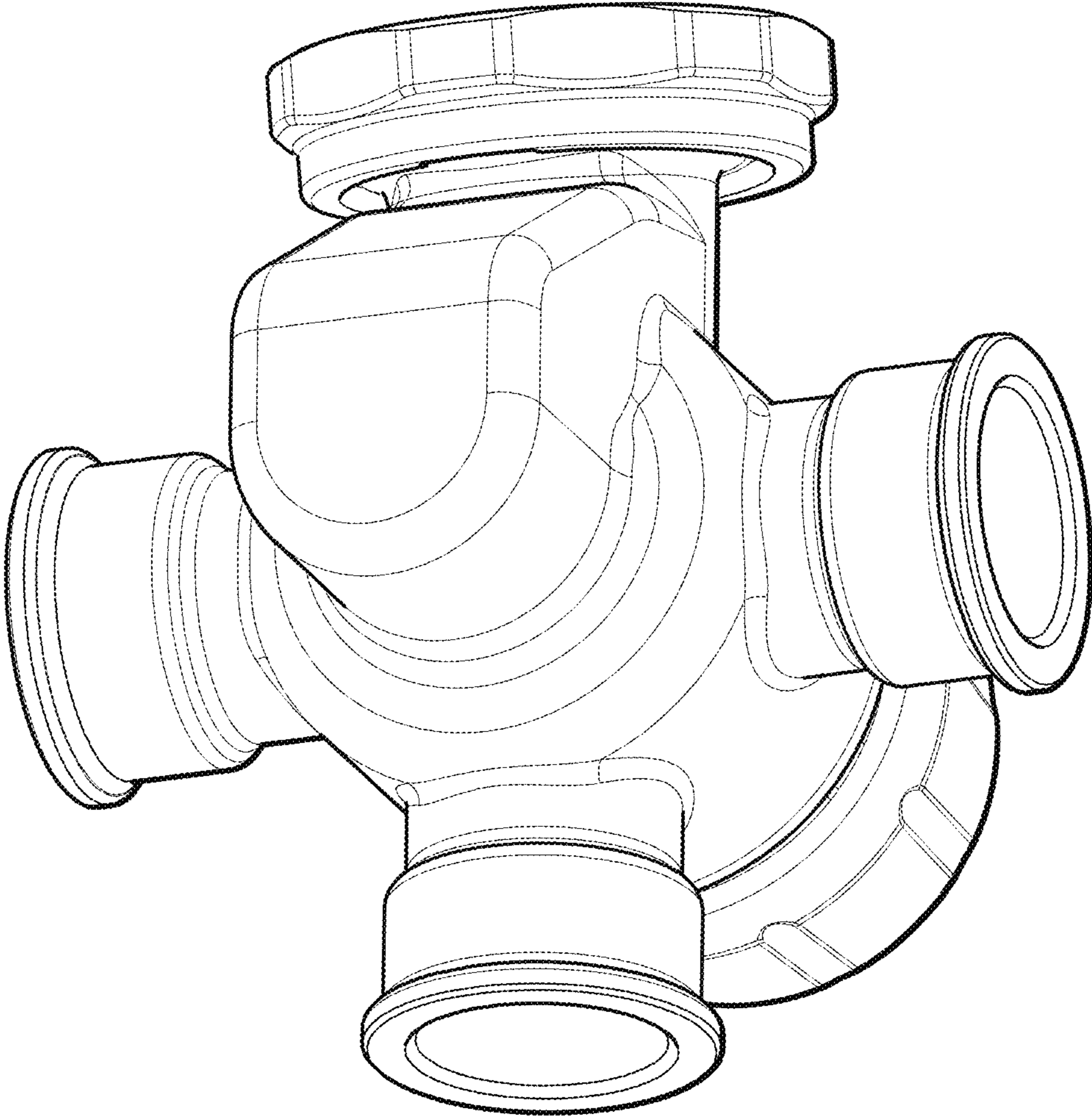


FIG. 2

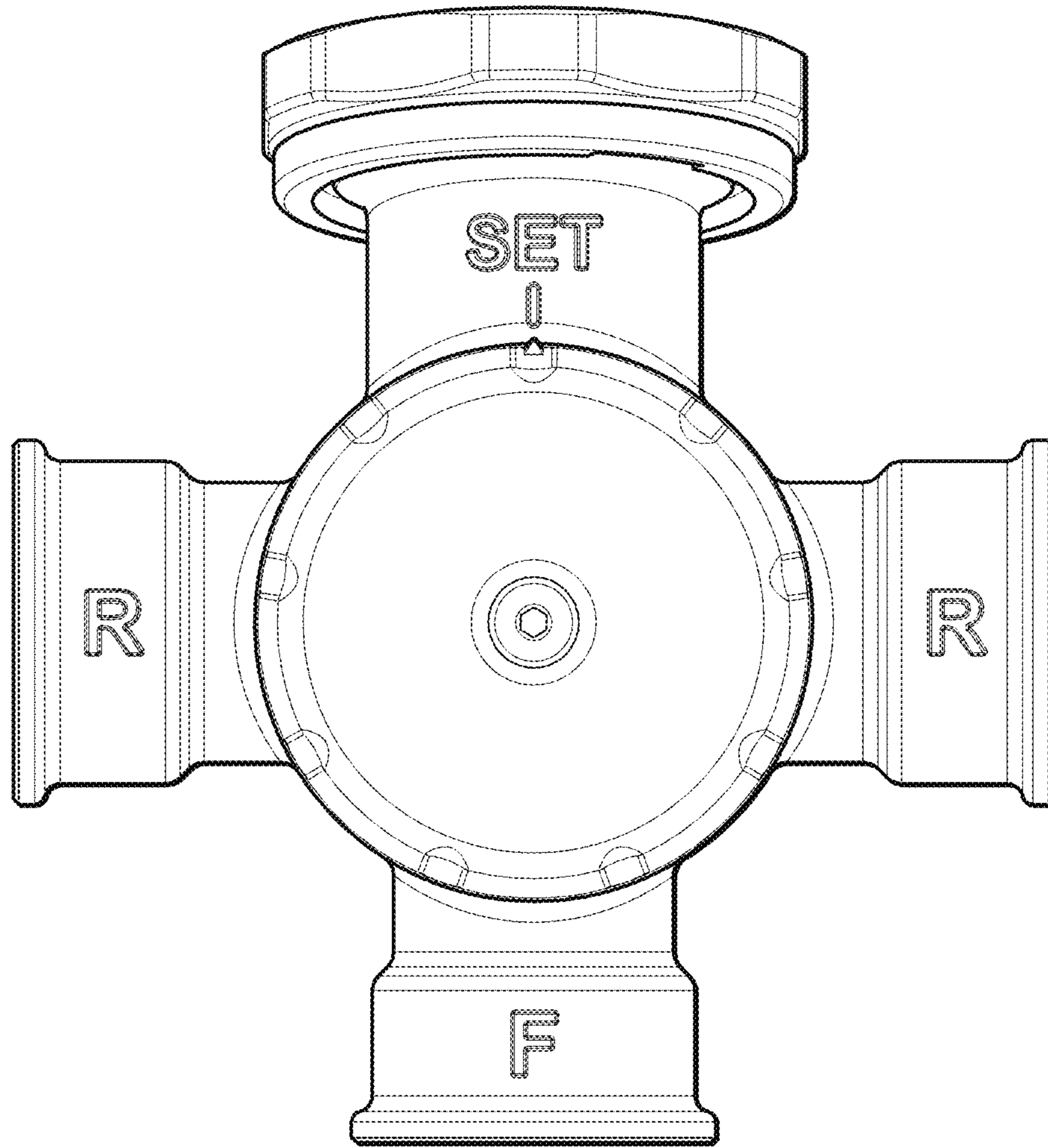


FIG. 3

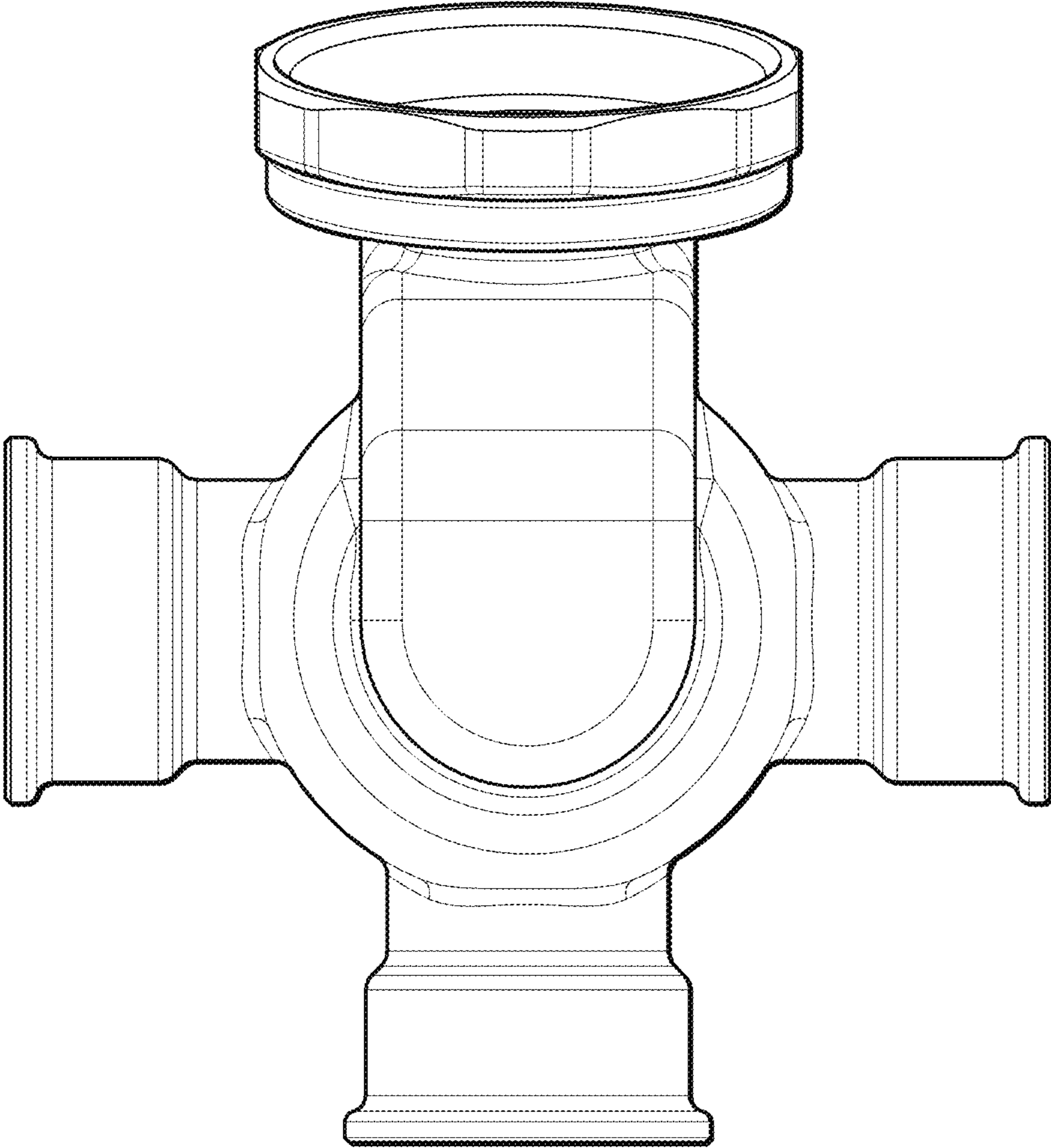


FIG. 4

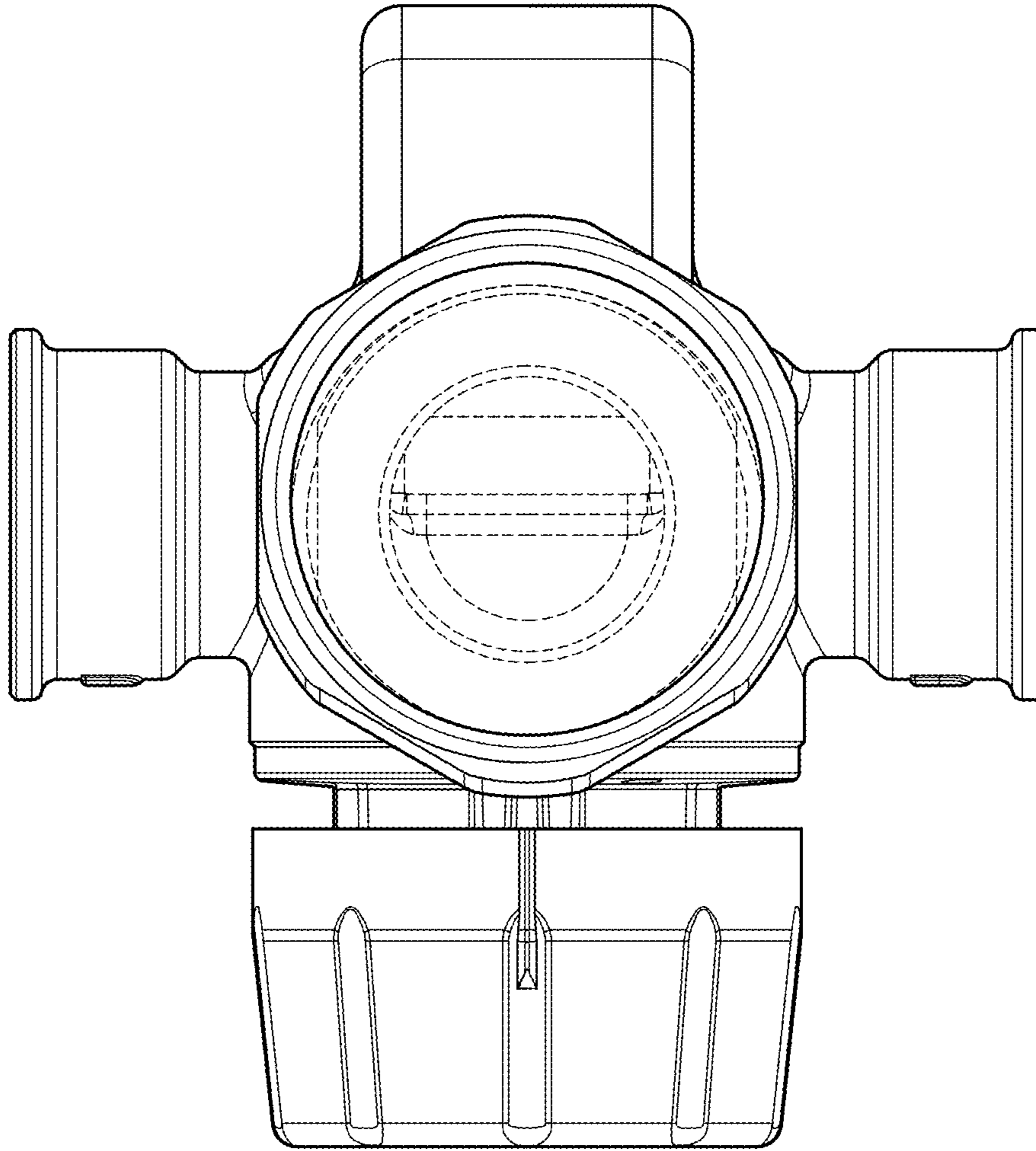


FIG. 5

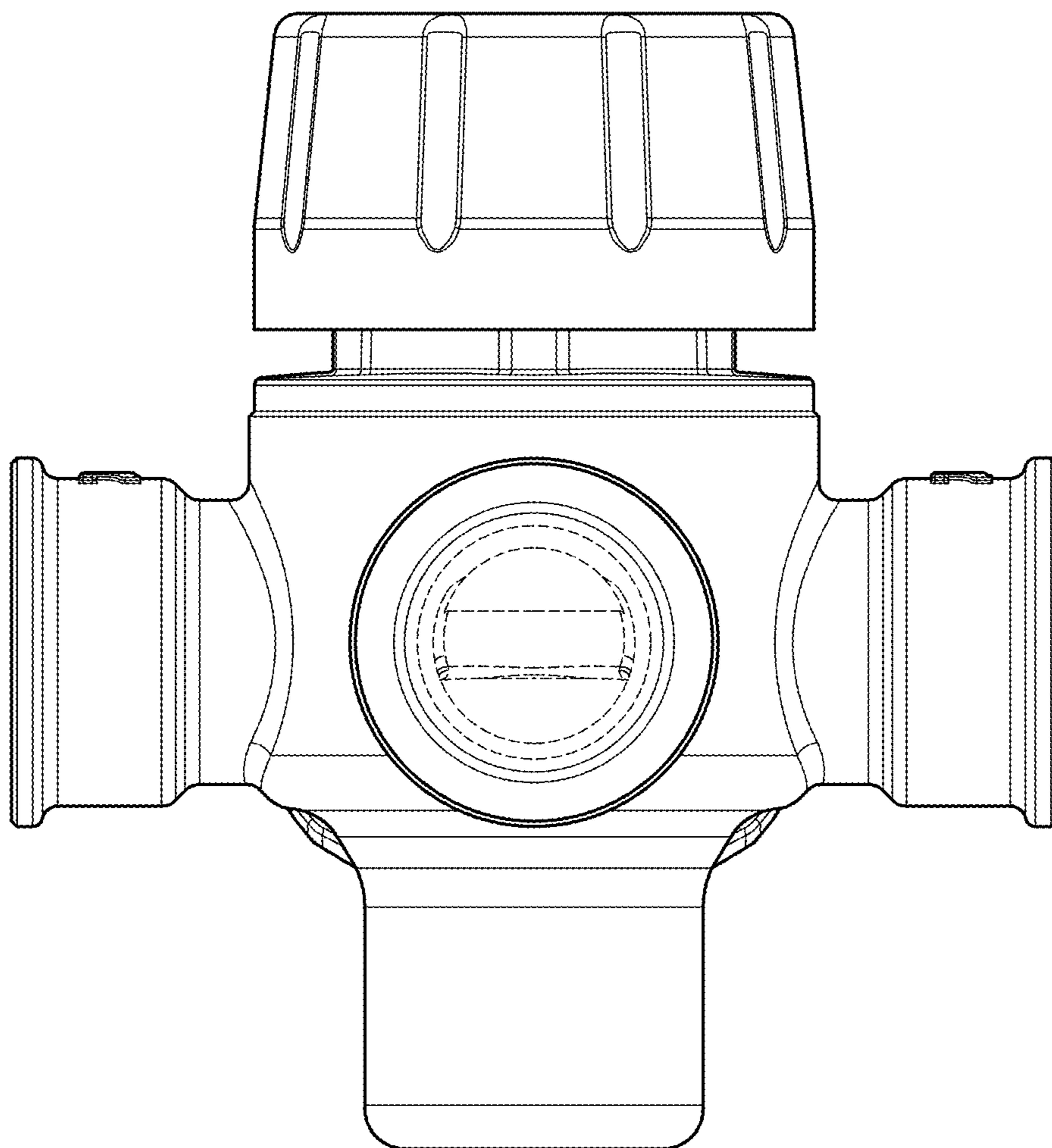


FIG. 6

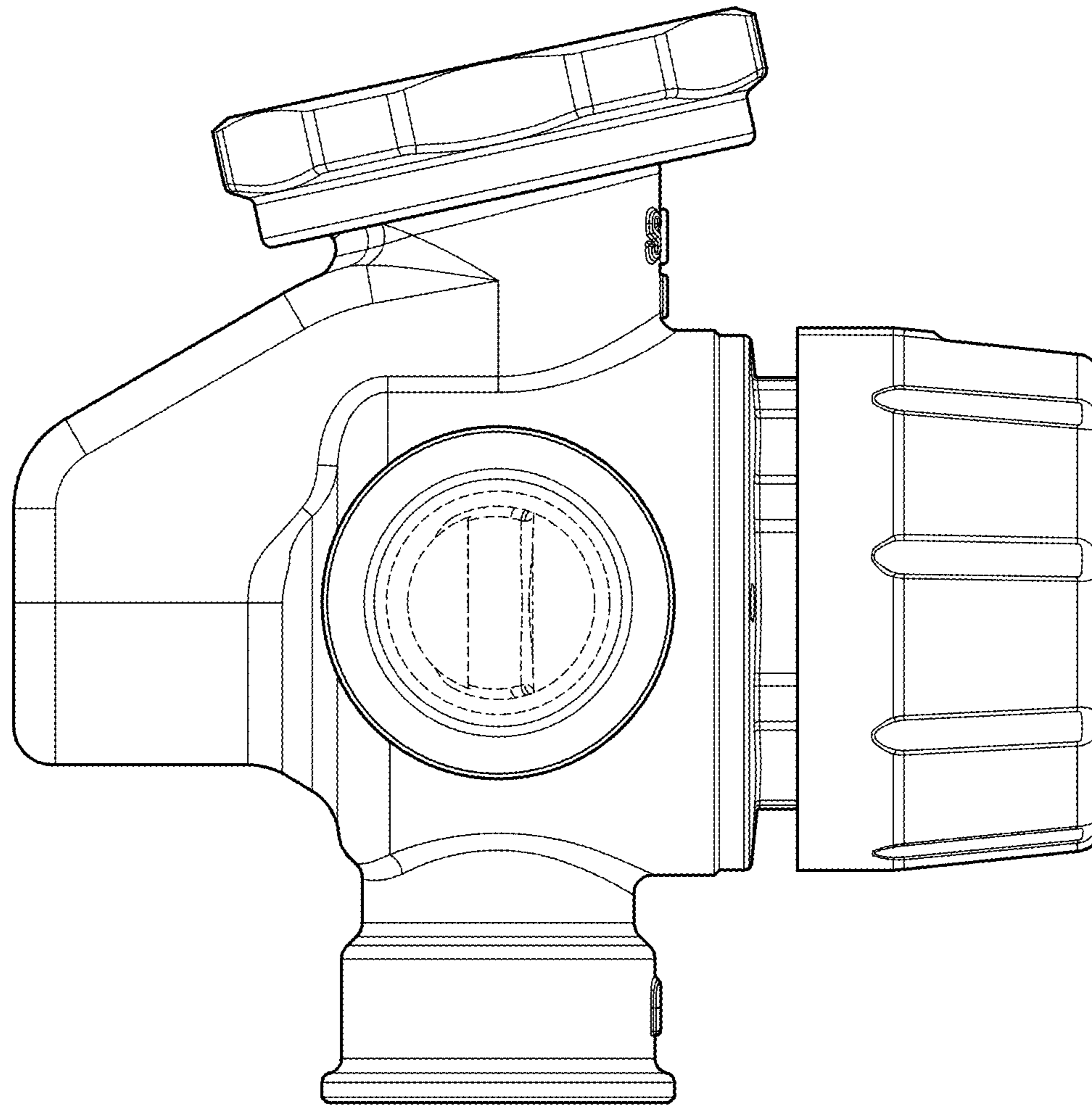


FIG. 7

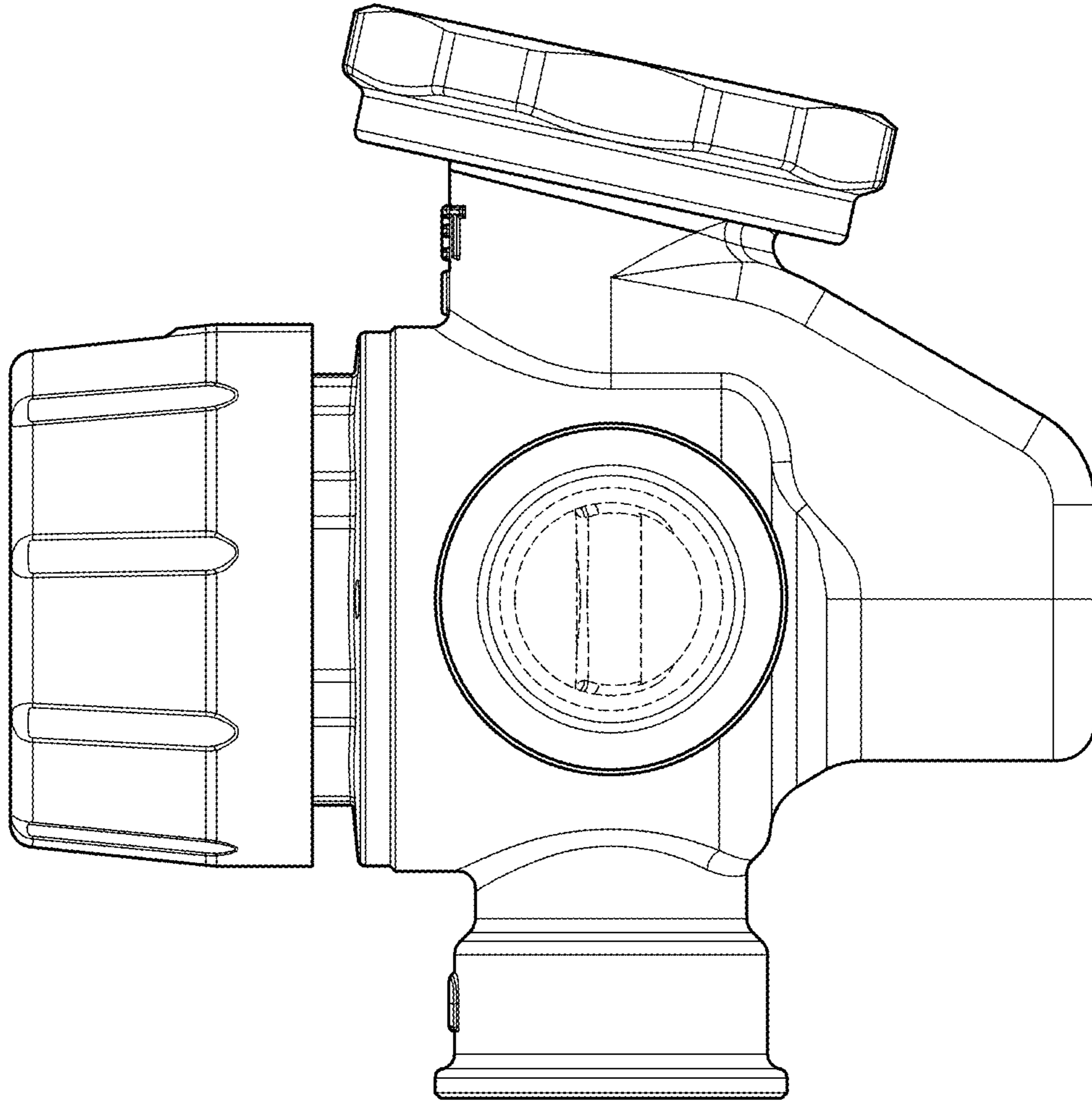


FIG. 8