



US00D822162S

(12) **United States Design Patent**
Bonaventura

(10) **Patent No.:** **US D822,162 S**
(45) **Date of Patent:** **** Jul. 3, 2018**

- (54) **INSECTICIDE FOGGER**
- (71) Applicant: **The Fountainhead Group, Inc.**, New York Mills, NY (US)
- (72) Inventor: **Jason Bonaventura**, Oneida, NY (US)
- (73) Assignee: **The Fountainhead Group, Inc.**, New York Mills, NY (US)

3,986,670 A * 10/1976 Syveson A01M 13/00
239/133
D421,204 S * 2/2000 McBride D23/225
D433,603 S * 11/2000 Kohls D8/2
D742,999 S * 11/2015 Moya A01M 1/2088
D23/225
D743,000 S * 11/2015 Moya A01M 13/00
D23/225
D743,001 S * 11/2015 Moya D23/225
D809,097 S * 1/2018 Bates B05B 7/168
D23/225

(**) Term: **15 Years**

* cited by examiner

- (21) Appl. No.: **29/613,570**
- (22) Filed: **Aug. 11, 2017**
- (51) **LOC (11) Cl.** **23-01**
- (52) **U.S. Cl.**
USPC **D23/225; D8/2**
- (58) **Field of Classification Search**
USPC D23/213, 225, 202; 239/152-154, 337,
239/373, 302, 308, 312, 317; D8/2;
43/129
CPC B05B 9/08; B05B 9/0816; B05B 7/2443;
B05B 7/2408; B05B 7/2421
See application file for complete search history.

Primary Examiner — Robin Valery Webster
(74) *Attorney, Agent, or Firm* — Bond Schoeneck & King, PLLC; George McGuire

(57) **CLAIM**

The ornamental design for an insecticide fogger, as shown and described.

DESCRIPTION

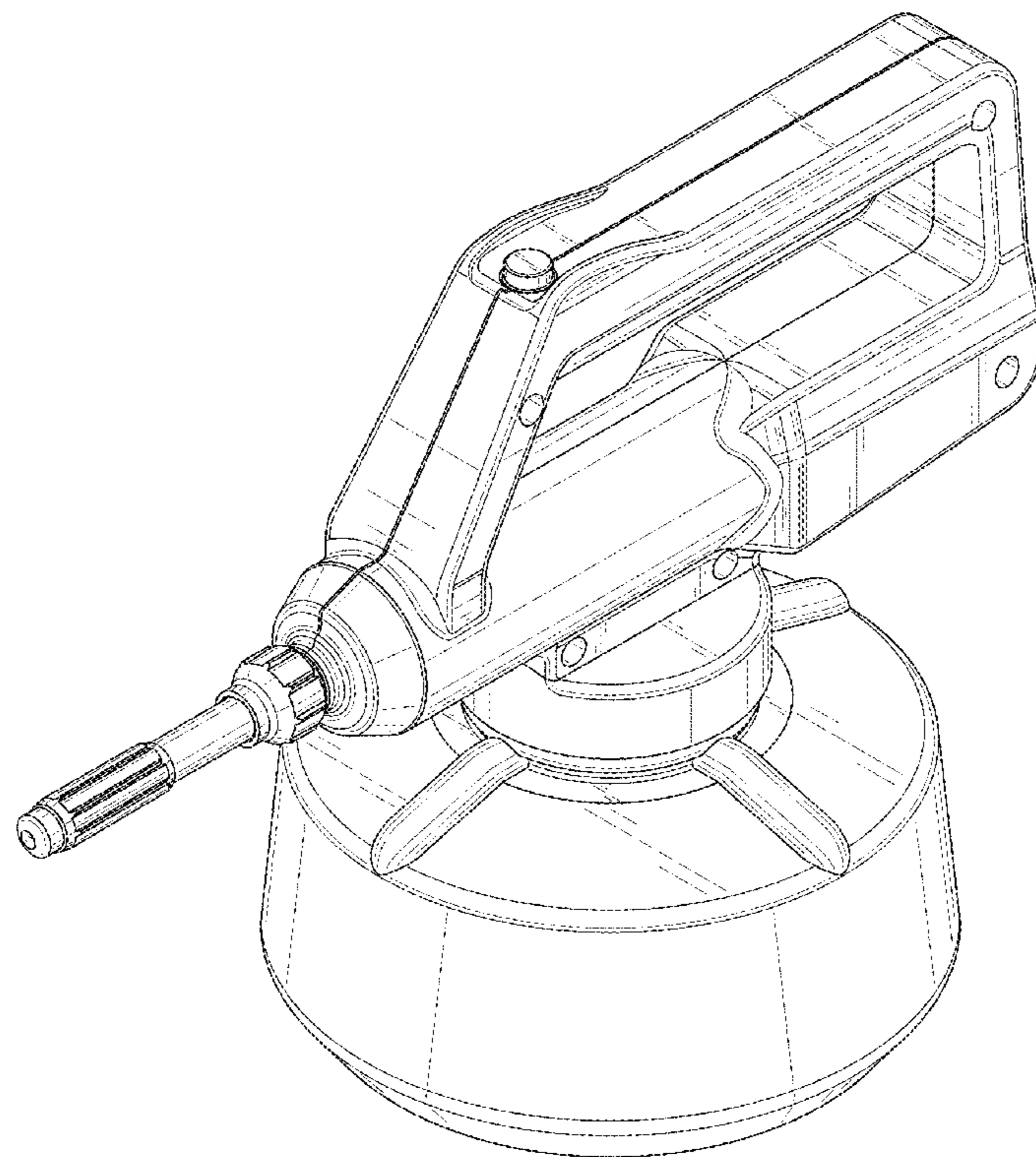
FIG. 1 is a perspective view of a new and ornamental design for an insecticide fogger;
FIG. 2 is a front elevation view thereof;
FIG. 3 is a rear elevation view thereof;
FIG. 4 is a first side elevation view thereof;
FIG. 5 is a second side elevation view thereof;
FIG. 6 is top plan view thereof; and,
FIG. 7 is a bottom plan view thereof.

(56) **References Cited**

U.S. PATENT DOCUMENTS

- 3,465,469 A * 9/1969 Winter B05B 7/168
239/133
- 3,548,532 A * 12/1970 Landwer A01M 1/2088
43/129

1 Claim, 7 Drawing Sheets



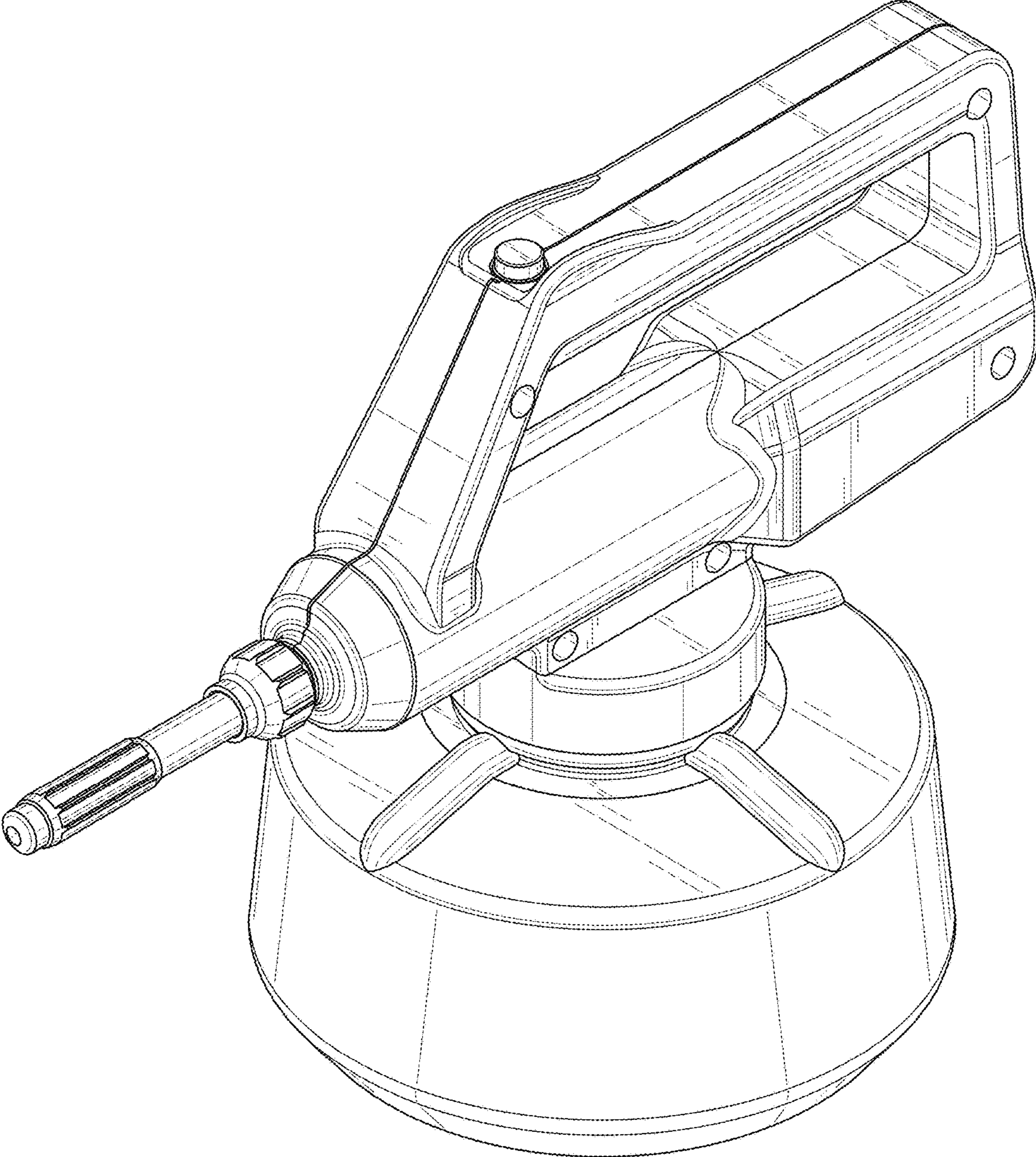


FIG. 1

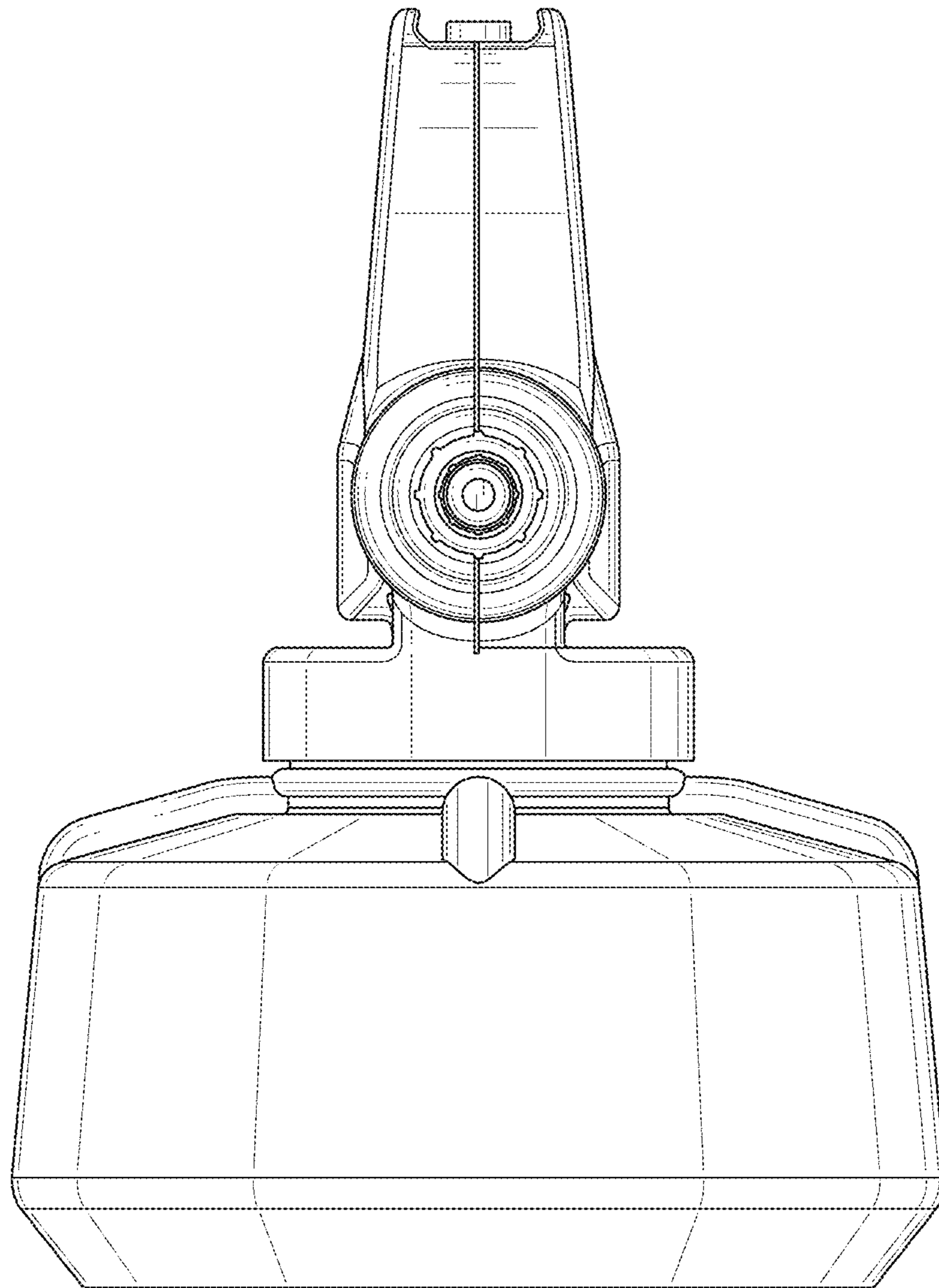


FIG. 2

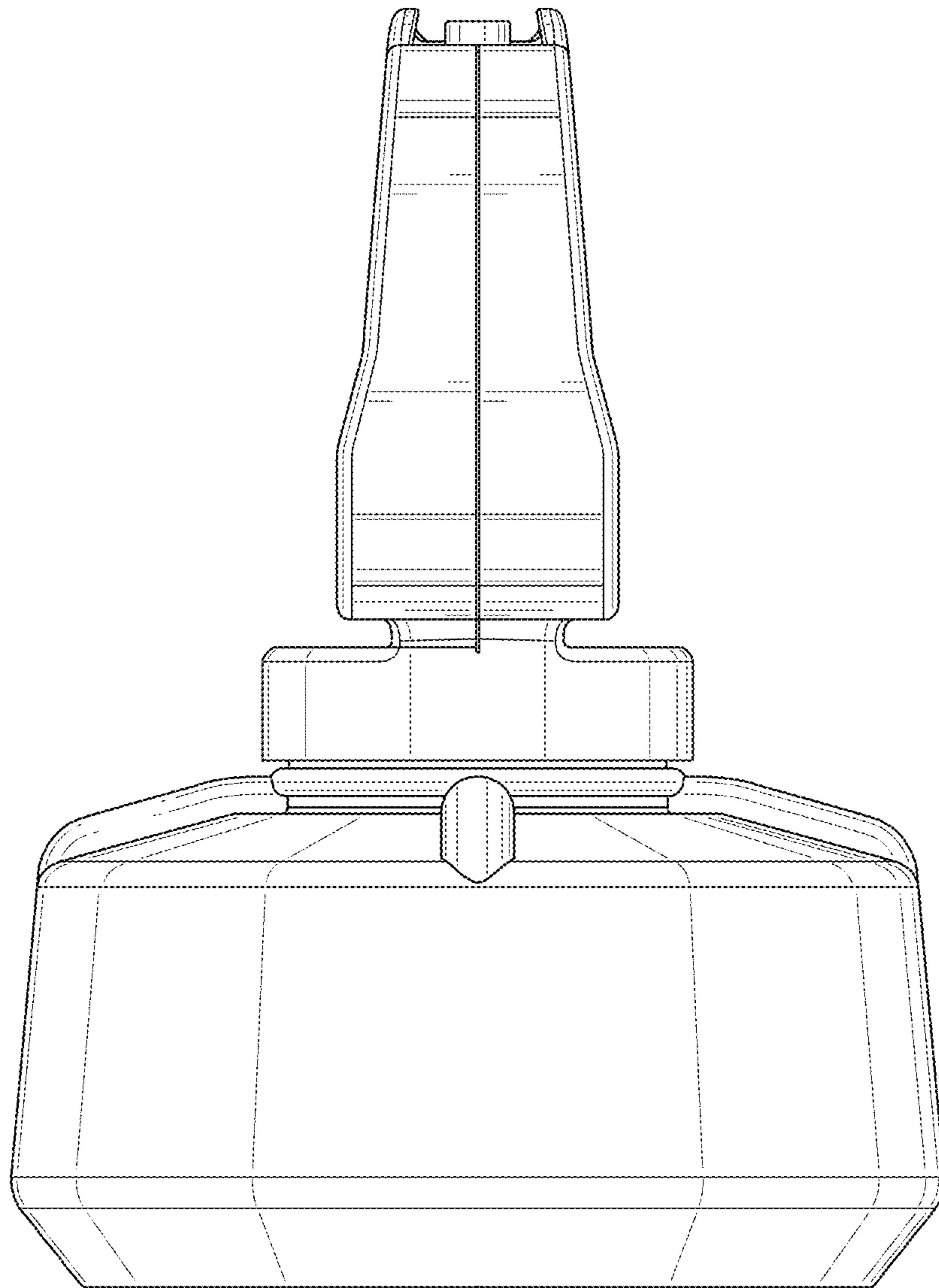


FIG. 3

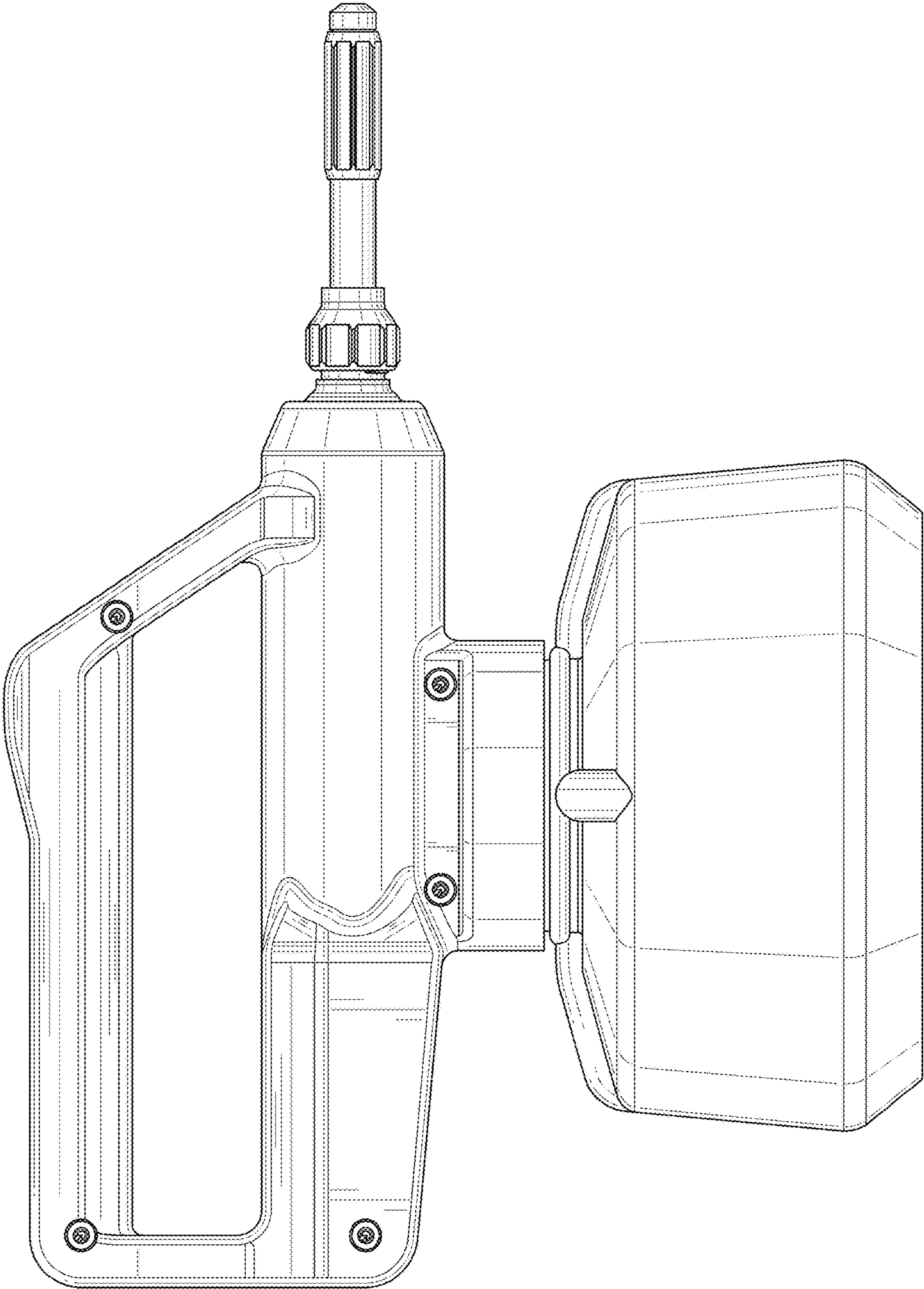


FIG. 4

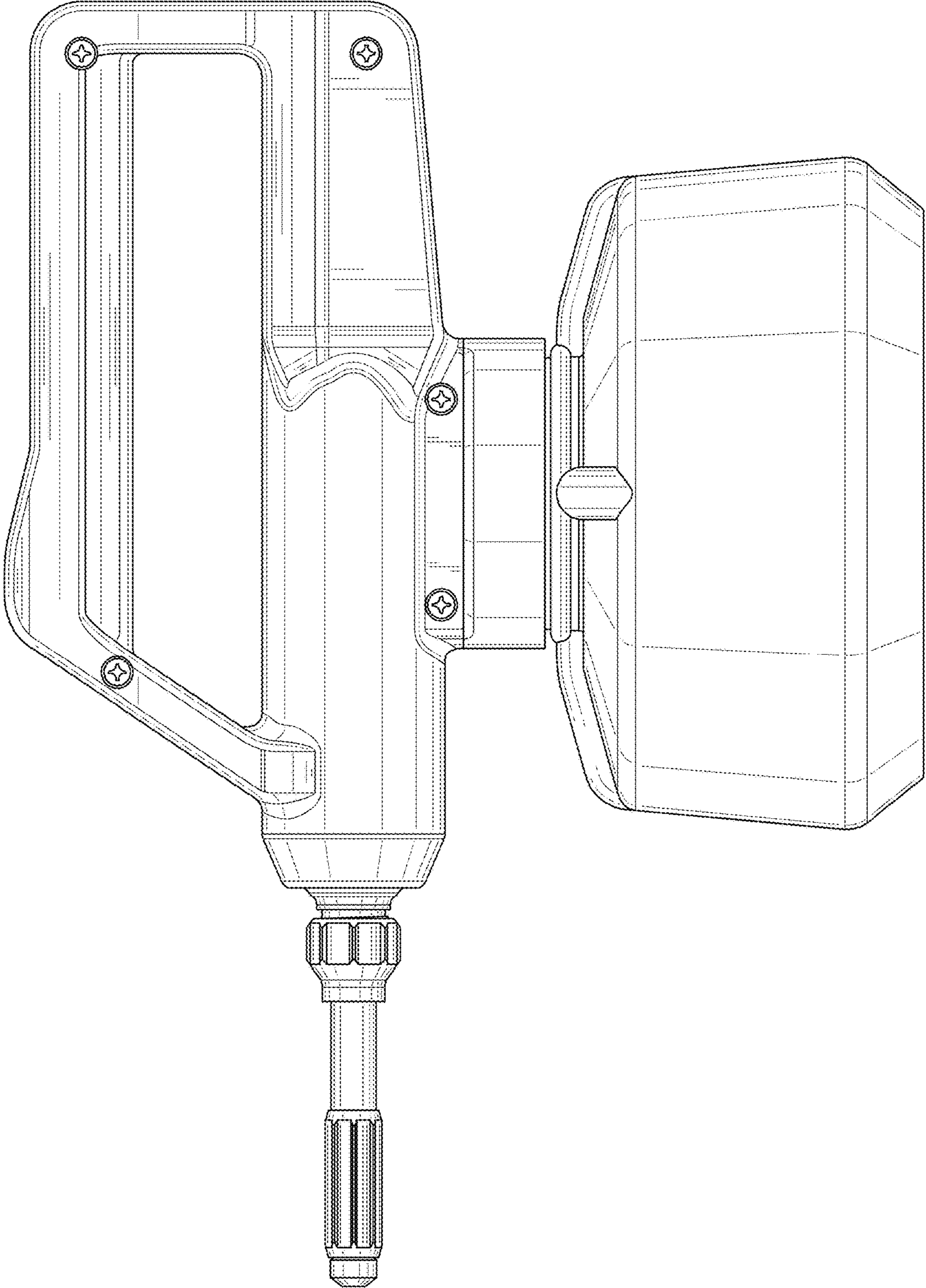


FIG. 5

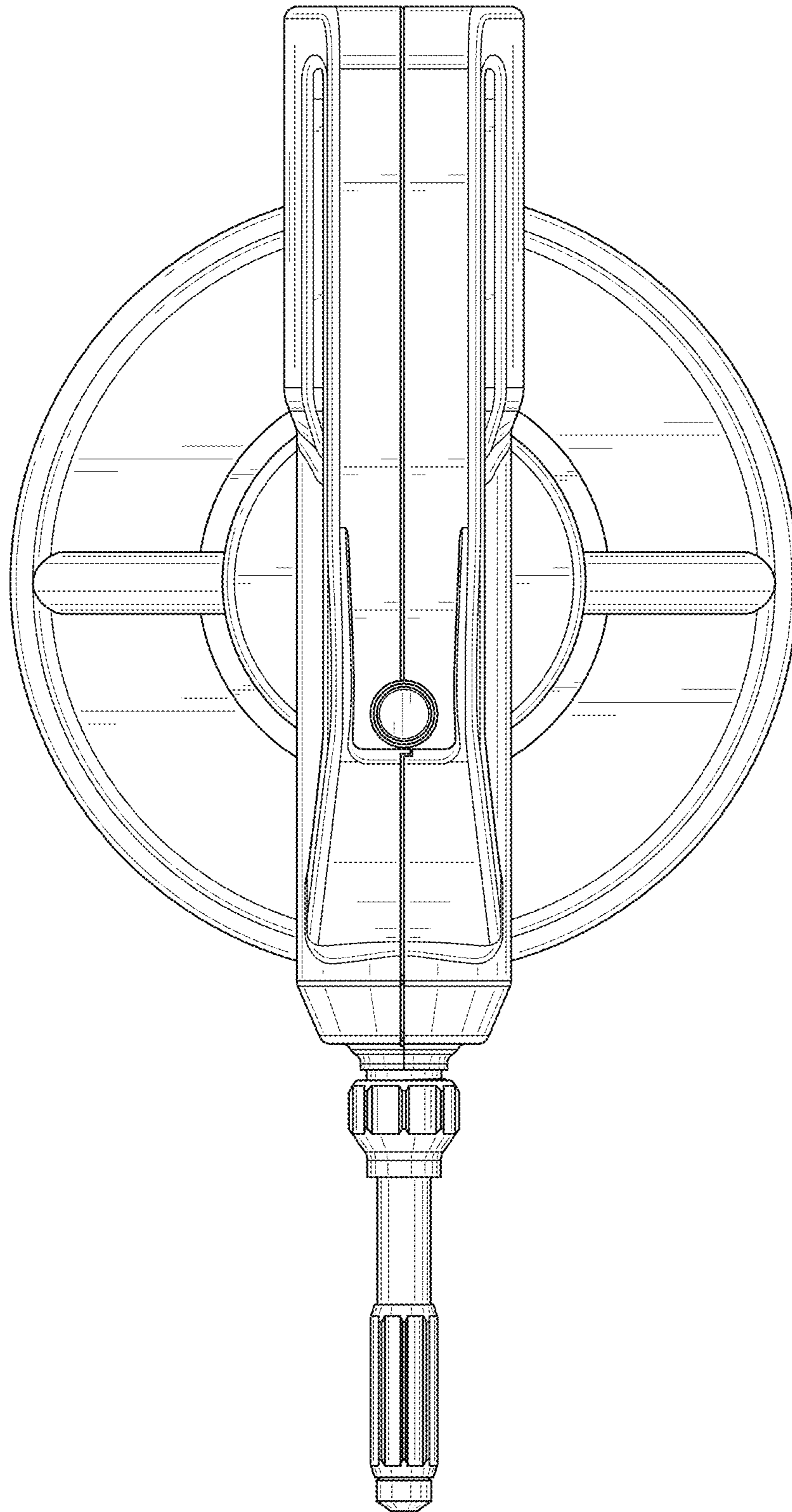


FIG. 6

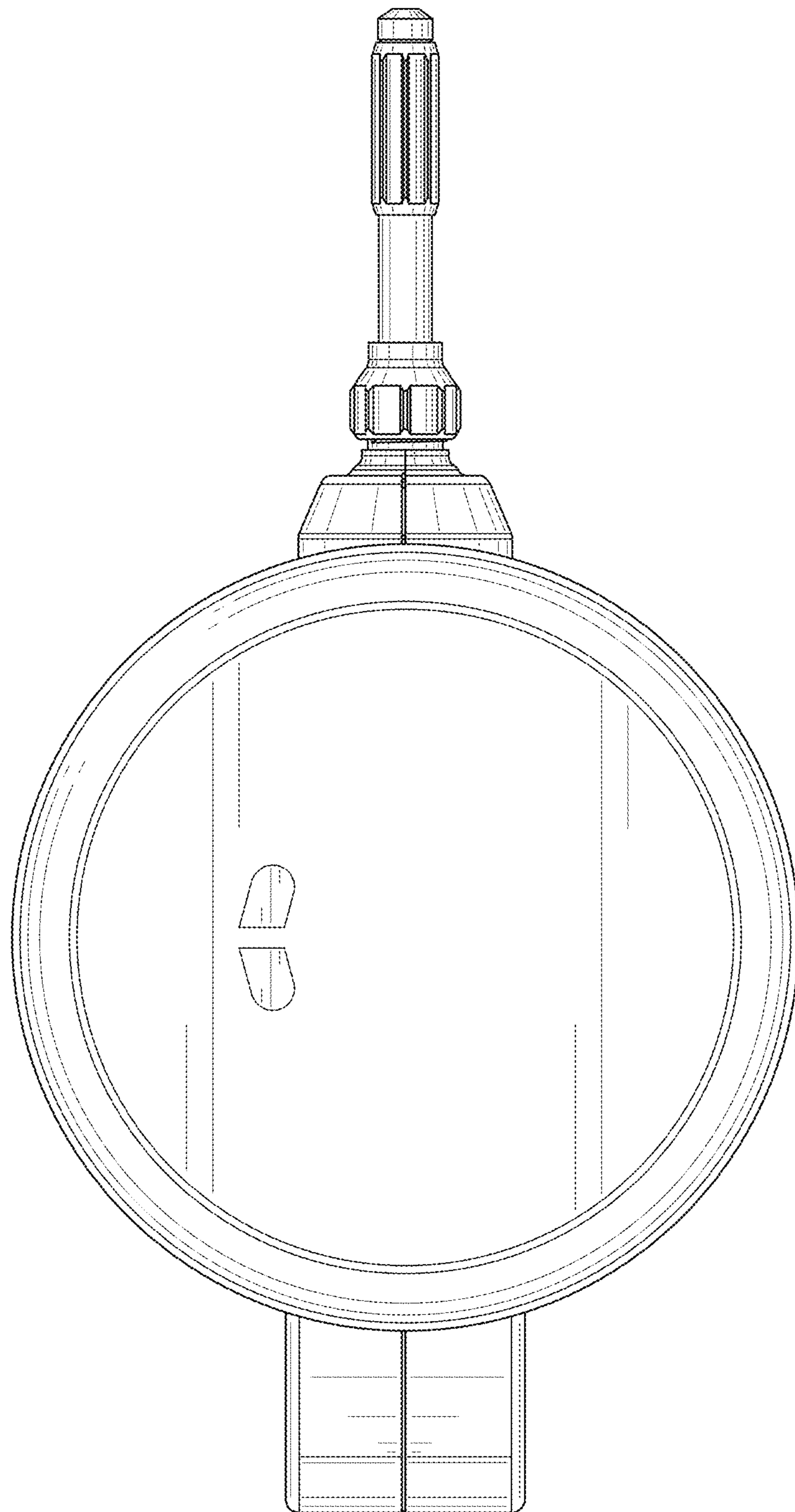


FIG. 7