



US00D822161S

(12) **United States Design Patent**
Bonaventura

(10) **Patent No.:** **US D822,161 S**
(45) **Date of Patent:** **** Jul. 3, 2018**

(54) **SPRAY TANK**
(71) Applicant: **The Fountainhead Group, Inc.**, New York Mills, NY (US)
(72) Inventor: **Jason Bonaventura**, Oneida, NY (US)
(73) Assignee: **The Fountainhead Group, Inc.**, New York Mills, NY (US)
(**) Term: **15 Years**

D391,626 S * 3/1998 Spiegel D23/205
D431,279 S * 9/2000 Spiegel B05B 9/0406
D23/202
7,913,932 B2 * 3/2011 Wu A01M 7/0046
239/288
8,205,808 B2 * 6/2012 Leer B05B 9/0816
222/401
8,672,364 B2 * 3/2014 Schrum B05B 9/0406
137/493.8
D749,699 S * 2/2016 Nicolia D23/202

* cited by examiner

(21) Appl. No.: **29/608,490**
(22) Filed: **Jun. 22, 2017**
(51) **LOC (11) Cl.** **23-01**
(52) **U.S. Cl.**
USPC **D23/225; D23/202**
(58) **Field of Classification Search**
USPC D23/213, 225, 202; 239/152-154, 337,
239/373, 302, 308, 312, 317
CPC B05B 9/08; B05B 9/0816; B05B 7/2443;
B05B 7/2408; B05B 7/2421
See application file for complete search history.

Primary Examiner — Robin Valery Webster
(74) *Attorney, Agent, or Firm* — Bond Schoeneck & King, PLLC; George McGuire

(57) **CLAIM**

The ornamental design for a spray tank, as shown and described.

DESCRIPTION

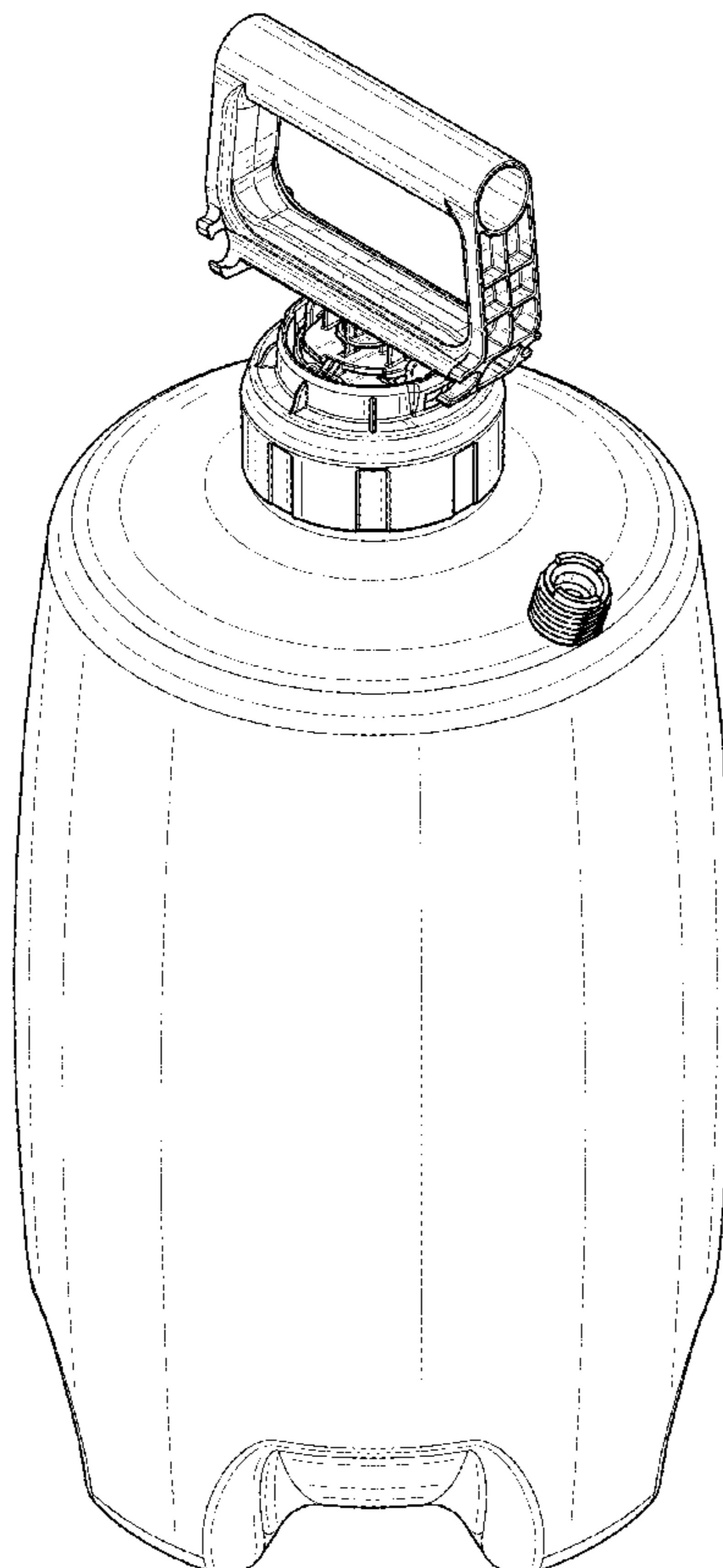
FIG. 1 is a perspective view of a new and ornamental design for a spray tank;
FIG. 2 is a front elevation view thereof;
FIG. 3 is a rear elevation view thereof;
FIG. 4 is a first side elevation view thereof;
FIG. 5 is a second side elevation view thereof;
FIG. 6 is top plan view thereof; and,
FIG. 7 is a bottom plan view thereof.

(56) **References Cited**

U.S. PATENT DOCUMENTS

D288,586 S * 3/1987 Moskalik D23/225
5,072,884 A * 12/1991 Ellison A01M 7/0085
215/365

1 Claim, 7 Drawing Sheets



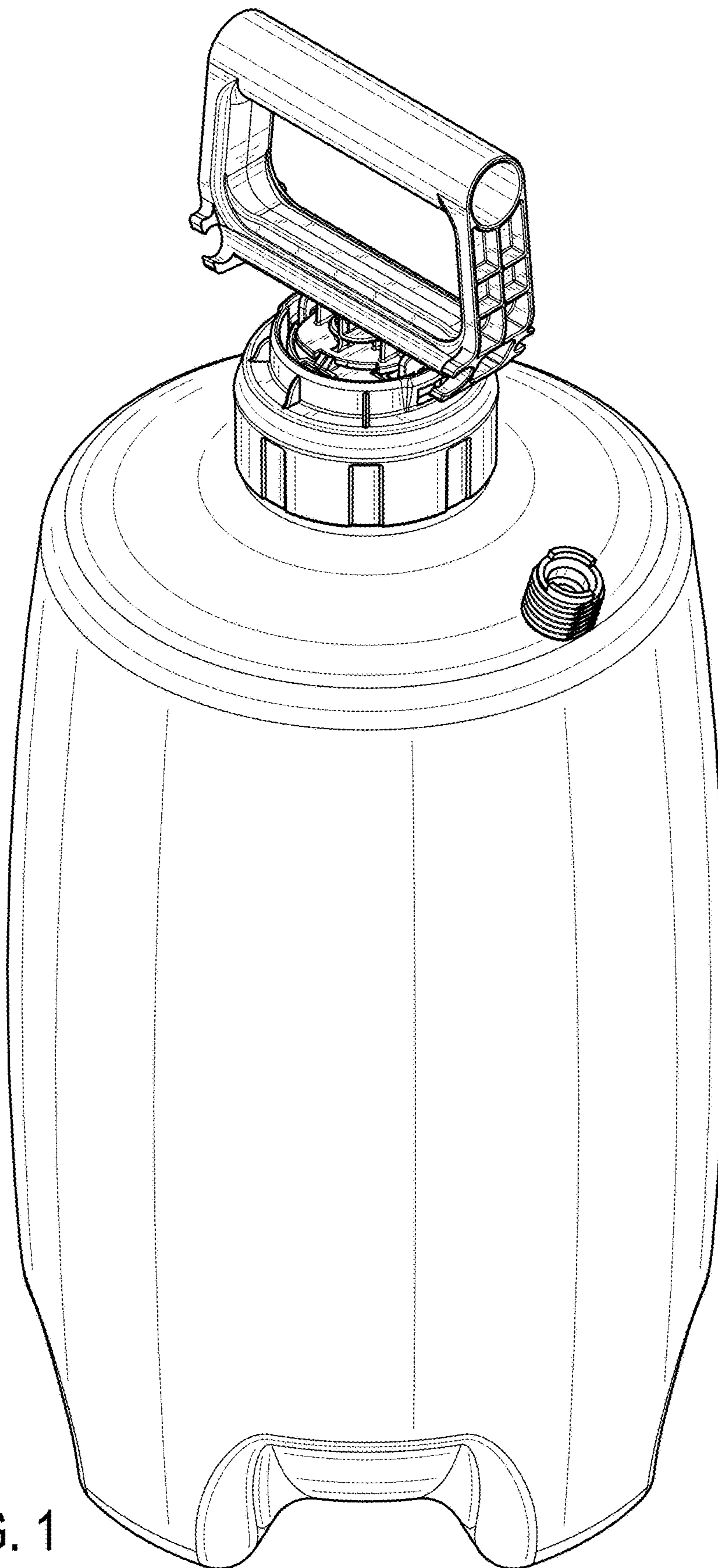


FIG. 1

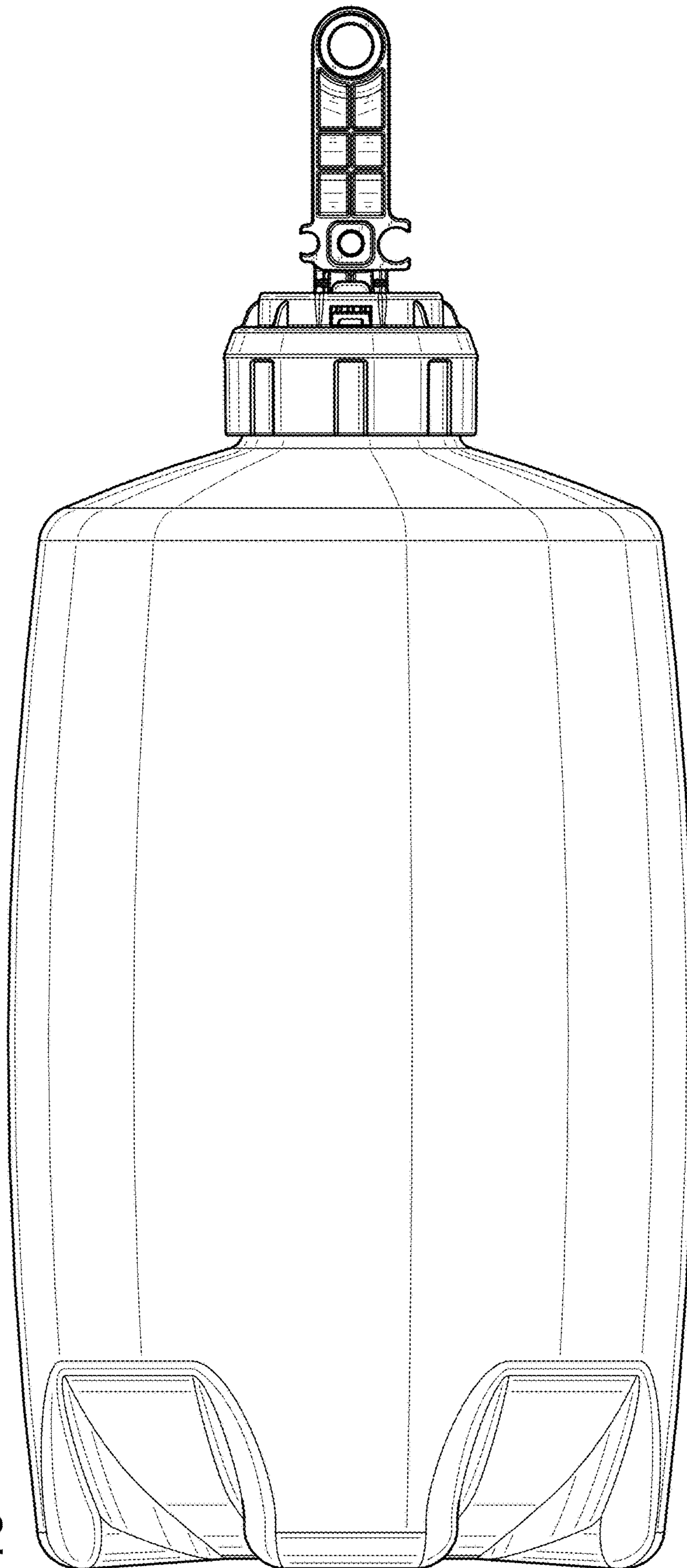


FIG. 2

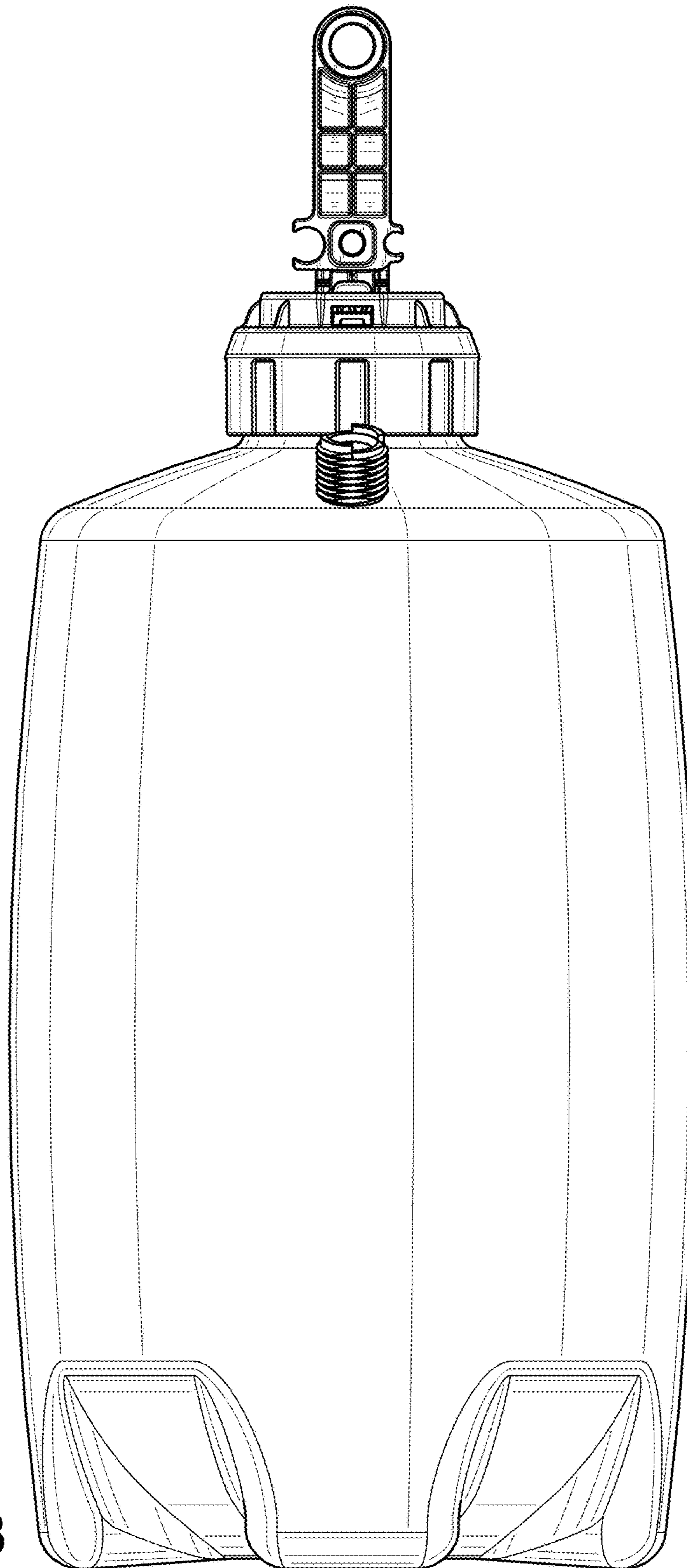


FIG. 3

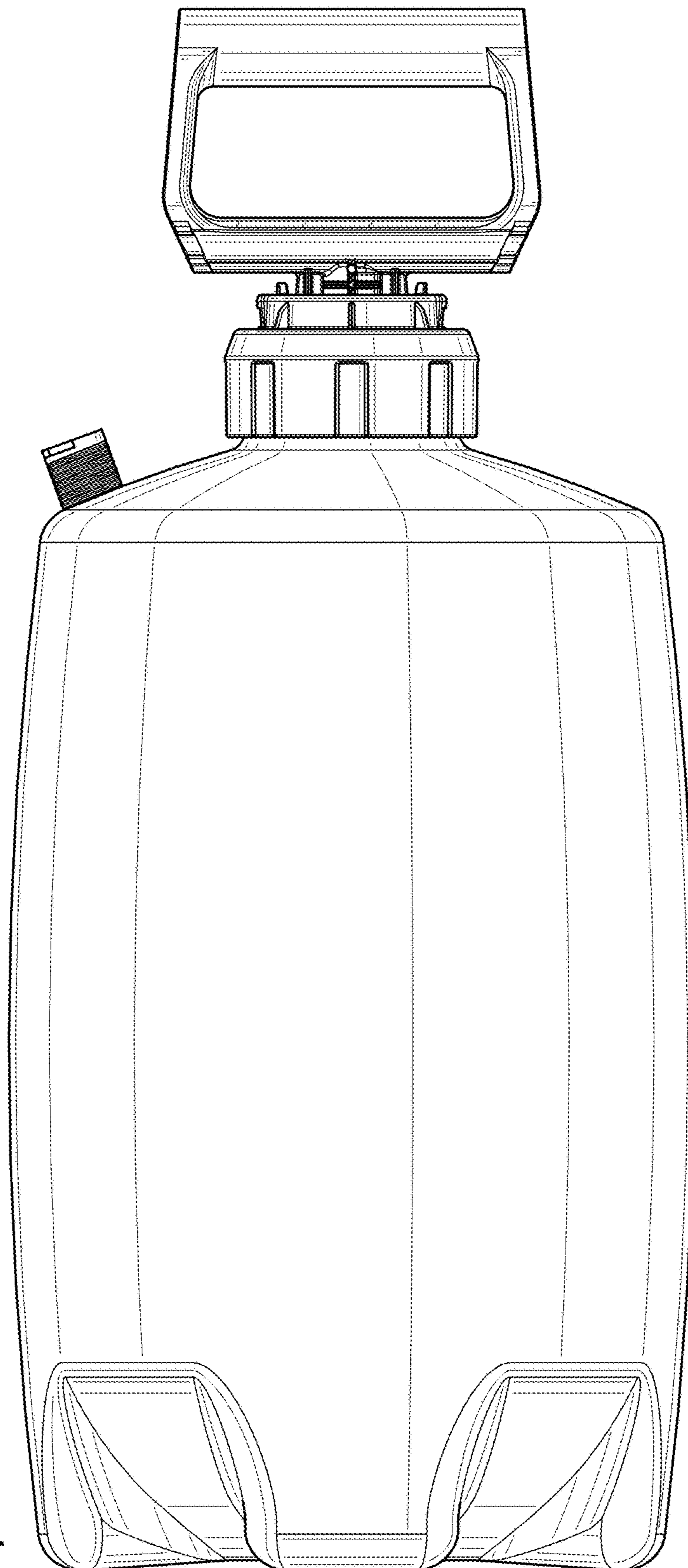


FIG. 4

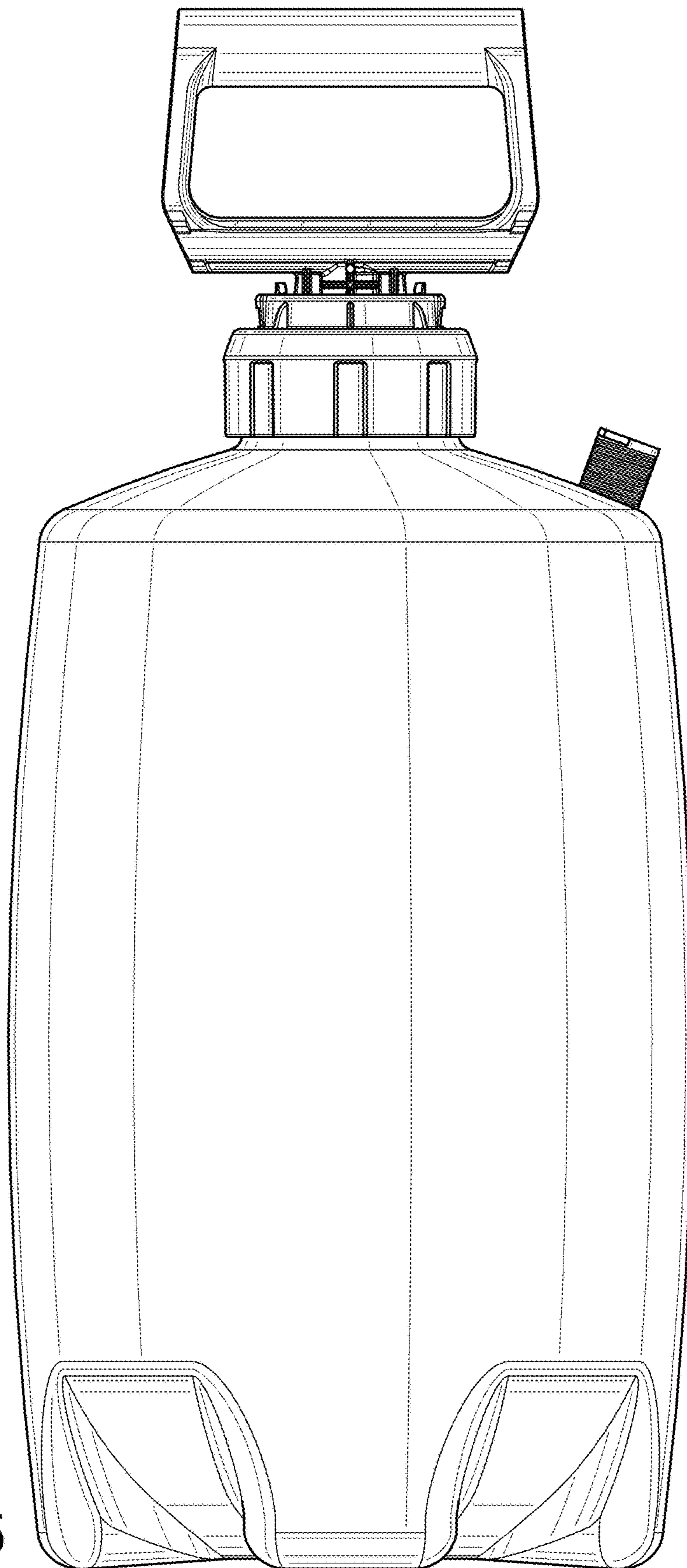


FIG. 5

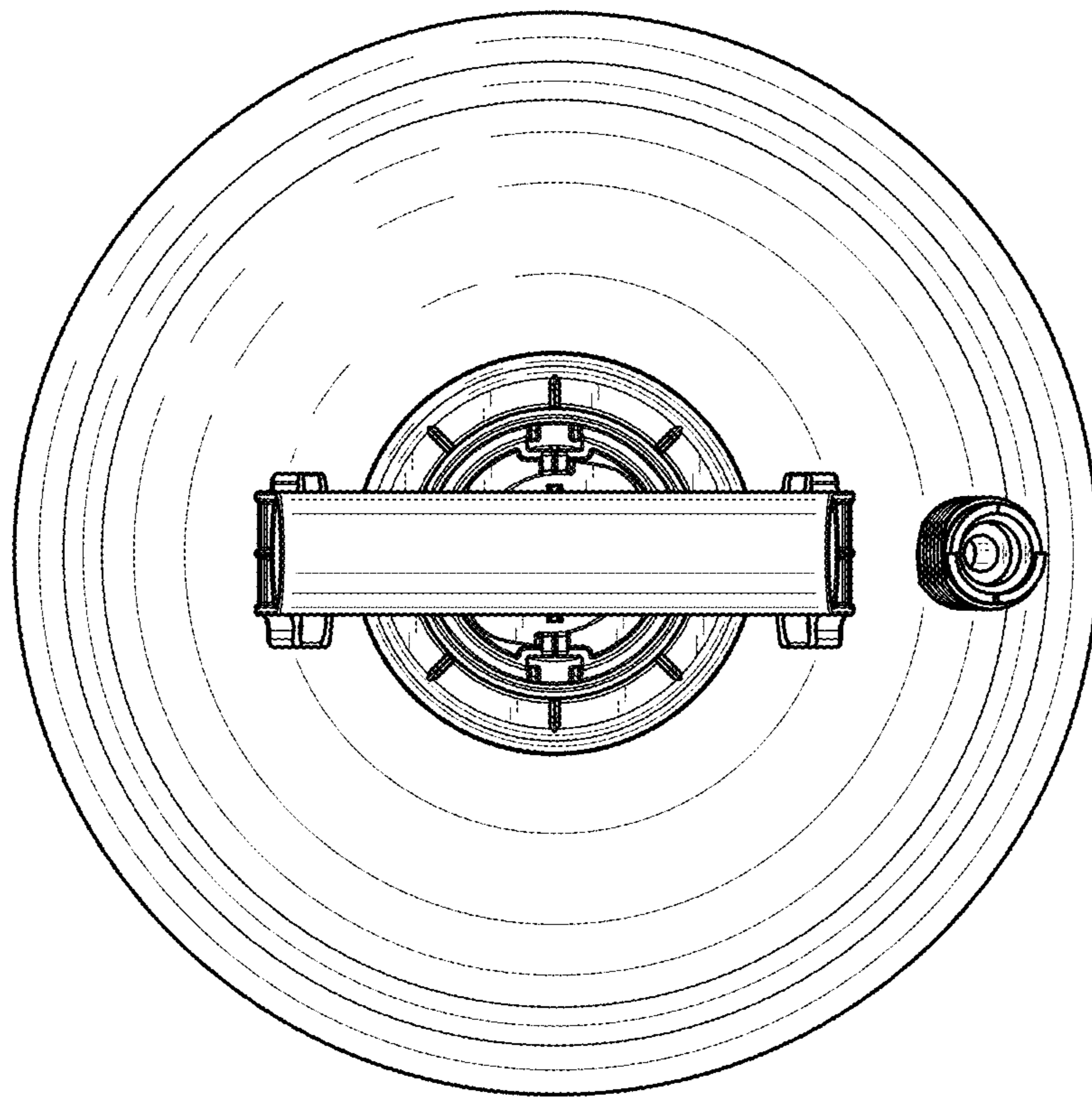


FIG. 6

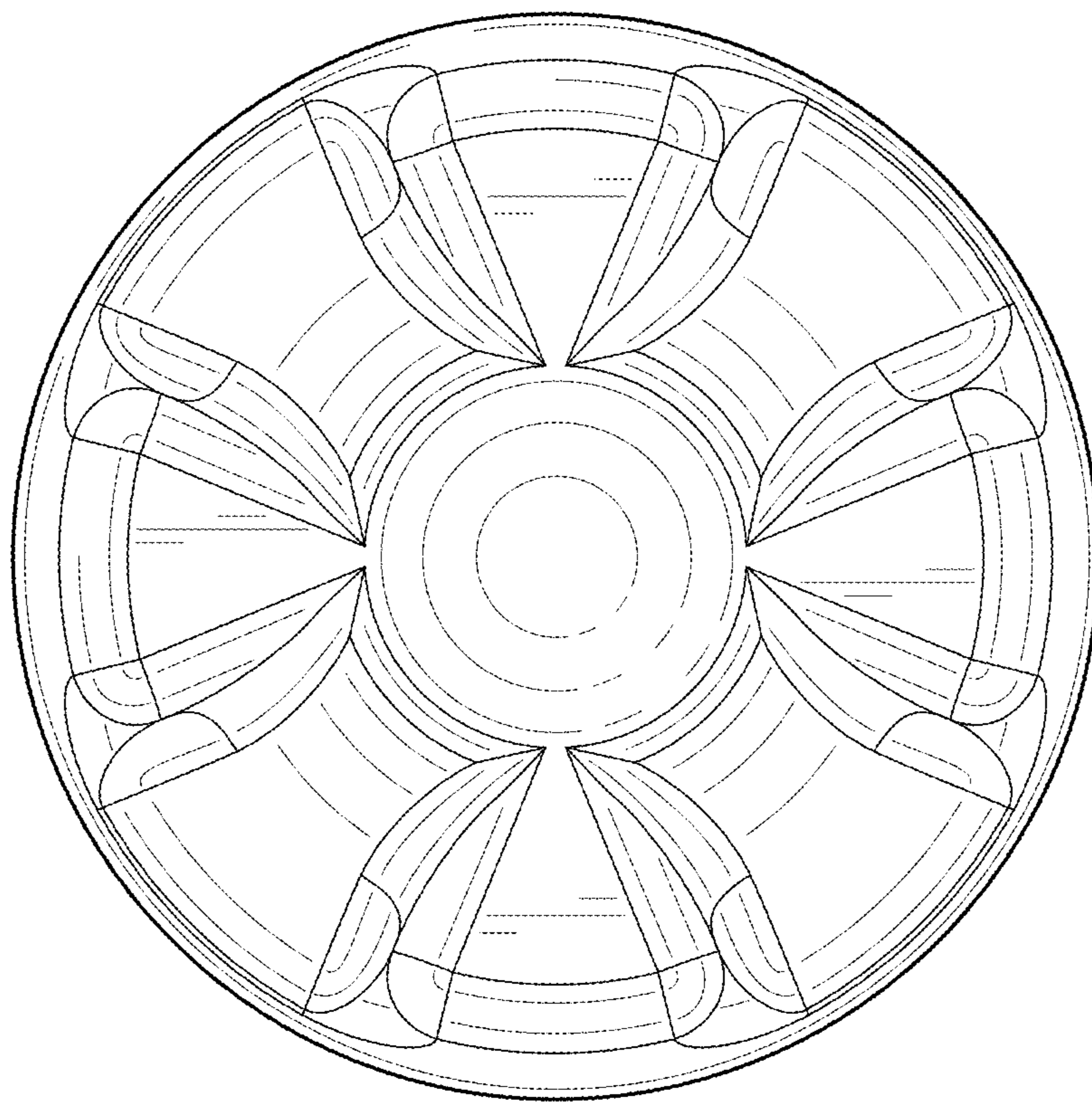


FIG. 7