



US00D822160S

(12) **United States Design Patent**
Urry

(10) **Patent No.:** **US D822,160 S**
(45) **Date of Patent:** **** Jul. 3, 2018**

(54) **HOSE NOZZLE**

D377,966 S 2/1997 Wang
D382,939 S 8/1997 Wang
5,806,770 A 9/1998 Wang
D408,498 S 4/1999 Wang

(71) Applicant: **Orbit Irrigation Products, Inc.**, North Salt Lake, UT (US)

(Continued)

(72) Inventor: **Andrew Mark Urry**, Herriman, UT (US)

OTHER PUBLICATIONS

(73) Assignee: **Orbit Irrigation Products, Inc.**, North Salt Lake, UT (US)

Ray Padula (Brand Name) Product No. RP-SRSP, shown in Attachment 1, was apparently sold or offered for sale at least by May of 2008.

(**) Term: **15 Years**

(Continued)

(21) Appl. No.: **29/603,568**

Primary Examiner — Robin V Webster

(22) Filed: **May 10, 2017**

(74) *Attorney, Agent, or Firm* — Austin Rapp

(51) **LOC (11) Cl.** **23-01**

(57) **CLAIM**

(52) **U.S. Cl.**

The ornamental design for a hose nozzle, as shown and described.

USPC **D23/223**

DESCRIPTION

(58) **Field of Classification Search**

USPC D23/213, 223, 226; D8/2; 239/532

CPC B05B 15/061; B05B 1/00; B05B 5/00;

B05B 1/005; B05B 3/00; B05B 9/01;

B05B 7/1209

See application file for complete search history.

FIG. 1 is a first top perspective view of a hose nozzle, according to my new design;

FIG. 2 is a second top perspective view of the hose nozzle;

FIG. 3 is a first bottom perspective view of the hose nozzle;

FIG. 4 is a second bottom perspective view of the hose nozzle;

FIG. 5 is a front side elevational view of the hose nozzle;

FIG. 6 is a rear side elevational view of the hose nozzle;

FIG. 7 is a top side view of the hose nozzle;

FIG. 8 is a bottom side view of the hose nozzle;

FIG. 9 is a left side elevational view of the hose nozzle;

FIG. 10 is a right side elevational view of the hose nozzle;

and,

FIG. 11 is a right side elevational view of the hose nozzle in an alternative position.

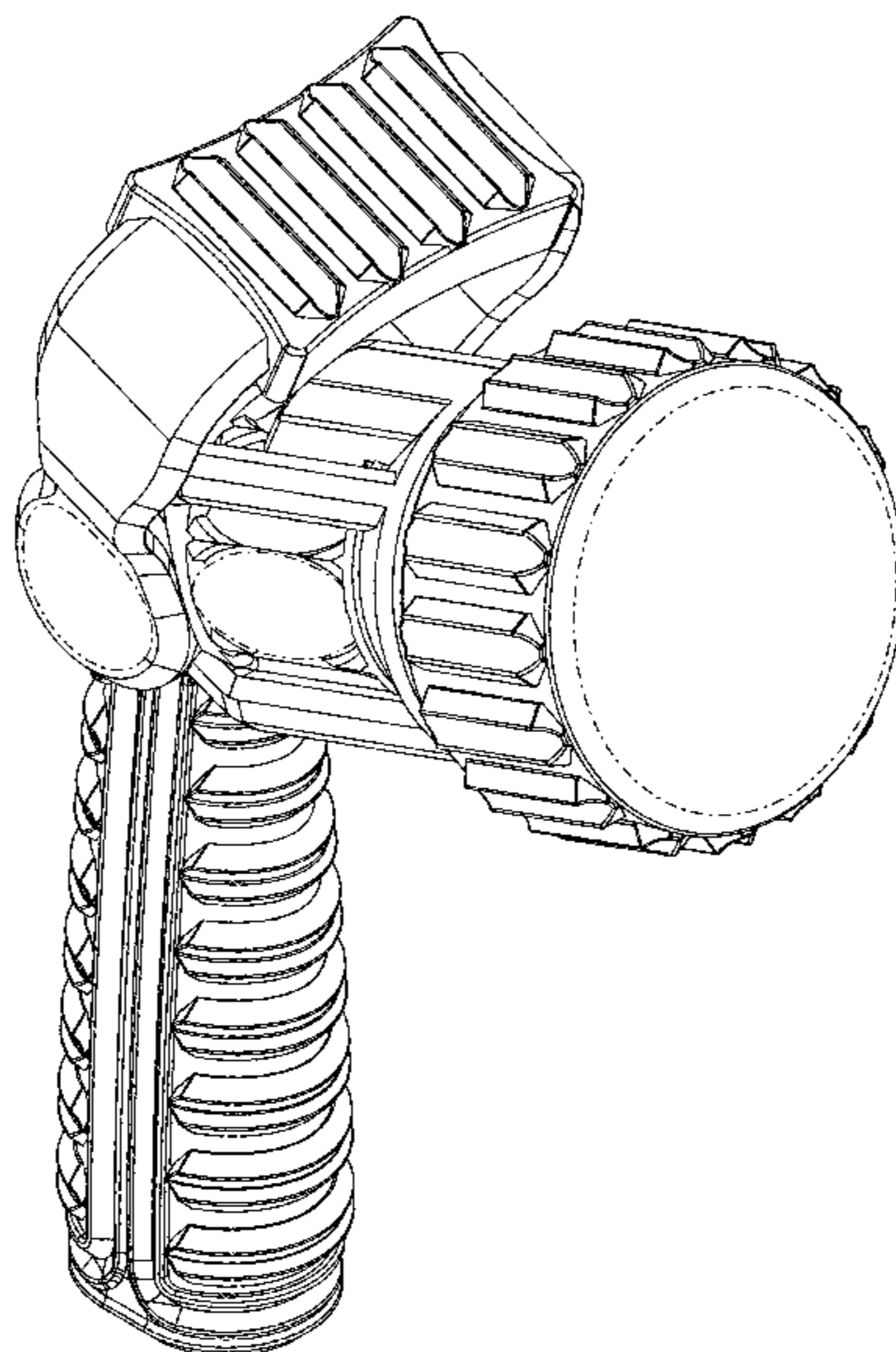
The broken lines in the figures illustrate boundaries between claimed and unclaimed regions of the hose nozzle and form no part of the claimed design.

(56) **References Cited**

U.S. PATENT DOCUMENTS

3,514,042 A	5/1970	Freed
D251,917 S	5/1979	Morgan
4,534,512 A	8/1985	Chow et al.
4,618,100 A	10/1986	White et al.
4,666,085 A	5/1987	Liaw
D315,782 S	3/1991	Clivio
D369,207 S	4/1996	Wang
D369,853 S	5/1996	Wang
5,501,400 A	5/1996	Kuo
D370,713 S	6/1996	Guo
D372,297 S	7/1996	Zore
D373,813 S	9/1996	Guo
5,566,886 A	10/1996	Wang

1 Claim, 11 Drawing Sheets



(56)

References Cited

U.S. PATENT DOCUMENTS

D411,607	S	6/1999	Wang	
D422,339	S	4/2000	Ericksen	
D422,682	S	4/2000	Ericksen	
D432,628	S	10/2000	Chao	
D433,099	S	10/2000	Chao et al.	
6,216,965	B1	4/2001	Chao	
6,260,774	B1	7/2001	Erickson	
D446,282	S	8/2001	Wang	
D446,283	S	8/2001	Wang	
D449,671	S	10/2001	Wang	
D451,981	S	12/2001	Ericksen	
D455,815	S	4/2002	Bonzer	
D455,817	S	4/2002	Huang	
D456,487	S	4/2002	Bonzer	
D456,488	S	4/2002	Bonzer	
D456,489	S	4/2002	Bonzer	
D456,490	S	4/2002	Bonzer	
D460,804	S	7/2002	Bonzer	
D461,228	S	8/2002	Huang	
6,568,610	B1	5/2003	Ericksen	
6,592,057	B1	7/2003	Ericksen et al.	
D482,428	S	11/2003	Fulwider	
D489,792	S *	5/2004	Chen	D23/223
D494,656	S	8/2004	Hudman	
D495,026	S	8/2004	Fulwider	
D498,515	S	11/2004	Wilson	
D615,157	S *	5/2010	Chen	D23/226
D615,158	S *	5/2010	Chen	D23/226
D677,362	S	3/2013	Christopher	
D726,872	S *	4/2015	Thurgood	D23/223
D749,696	S *	2/2016	Thurgood	D23/223
D767,091	S *	9/2016	Chen	B05B 1/326 D23/223
D767,094	S *	9/2016	Chen	B05B 1/12 D23/223
D779,036	S *	2/2017	Chen	D23/223
D783,122	S *	4/2017	Chen	D23/226
D783,123	S *	4/2017	Chen	D23/226
9,707,573	B1 *	7/2017	Huang	B05B 1/12
9,770,731	B1 *	9/2017	Chen	B05B 1/326

OTHER PUBLICATIONS

Orbit Irrigation Products, Inc., Product No. 56621, shown in Attachment 2, was sold or offered for sale at least by November of 2008.
 Orbit Irrigation Products, Inc., Product No. 58931, shown in Attachment 3, was sold or offered for sale at least by December of 2009.
 Flexon (Brand Name) Product No. FL-1607-8, shown in Attachment 4, was apparently sold or offered for sale at least by June of 2011.
 Melnor, Inc., Product No. T300, shown in Attachment 5, was apparently sold or offered for sale at least by April of 2013.

Melnor, Inc., Product No. T301, shown in Attachment 6, was apparently sold or offered for sale at least by April of 2013.
 Gilmour Ltd., Product No. 410GWR, shown in Attachment 7, was apparently sold or offered for sale at least by April of 2013).
 Gilmour Ltd., Product No. 410GWT, shown in Attachment 8, was apparently sold or offered for sale at least by April of 2013).
 Sunmate (Brand Name), Deluxe Plastic SunDial Pistol Grip (Stock Nos. 58129 and 58127), Plastic SunDial Pistol Grip (Stock Nos. 58035 and 58037), Zinc SunDial Pistol Grip (Stock Nos. 58036 and 58038), and Sundial Quick Connect Pistol Set (Stock No. 58158), shown in Attachment 9, were apparently sold or offered for sale at least by 1993.
 Orbit Irrigation Products, Inc., Product No. 56557, shown in Attachment 10, was sold or offered for sale at least by Jun. 7, 2012.
 Orbit Irrigation Products, Inc., Product No. 56556, shown in Attachment 11, was sold or offered for sale at least by Jun. 7, 2012.
 Orbit Irrigation Products, Inc., Product No. 56359, shown in Attachment 12, was sold or offered for sale at least by Jun. 7, 2014.
 Orbit Irrigation Products, Inc., Product No. 56049, shown in Attachment 13, was sold or offered for sale at least by Nov. 30, 2012.
 Orbit Irrigation Products, Inc., Product No. 56050, shown in Attachment 14, was sold or offered for sale at least by Nov. 30, 2012.
 Orbit Irrigation Products, Inc., Product No. 26700, shown in Attachment 15, was sold or offered for sale at least by Mar. 31, 2015.
 Orbit Irrigation Products, Inc., Product No. 27823, shown in Attachment 16, was sold or offered for sale at least by Mar. 31, 2016.
 Orbit Irrigation Products, Inc., Product No. 58993, shown in Attachment 17, was sold or offered for sale at least by Oct. 1, 2014.
 Hosezzle (Brand Name), shown in Attachment 18, was disclosed at least by Feb. 12, 2015.
 Ace Hardware Corporation, Ace Front Trigger Dial Hose Nozzle (Product No. 7168289), web page [Online] [retrieved on or before Jan. 16, 2015], was apparently published on or before Jan. 16, 2015, Retrieved from the Internet: <URL: <http://www.acehardware.com/product/index.jsp?productId=3469897&cp=2568443.2568444.2598681.2602621.2602622>> (shown in attachment 19).
 Claber (Brand Name), Aquastop, shown in Attachment 20, was disclosed at least by Feb. 12, 2015.
 Home Gardener (Brand Name), Tri-Pack Spray Nozzles (Product No. 543-441) and Melnor, Inc., 3 Piece Nozzle Set (Product No. 543-441), retail packages, shown in Attachment 21, were apparently sold or offered for sale at least by May 10, 2006.
 Amazon Hose & Rubber Company, Fire Hose Nozzles & Wrenches, Industrial Fog Nozzle (Product Code BFN), and Electrical Fog Nozzle (Product Code FNB), web pages [Online] [retrieved on or before Oct. 15, 2002], was apparently published on or before Jan. 1, 2002, Retrieved from the Internet: <URL: <http://www7.thomasregister.com/olc/amazonhose/firehose.htm>> (shown in attachment 22).
 Orbit Irrigation Products, Inc., Product No. 26800, shown in Attachment 23, was sold or offered for sale at least by Mar. 31, 2017.

* cited by examiner

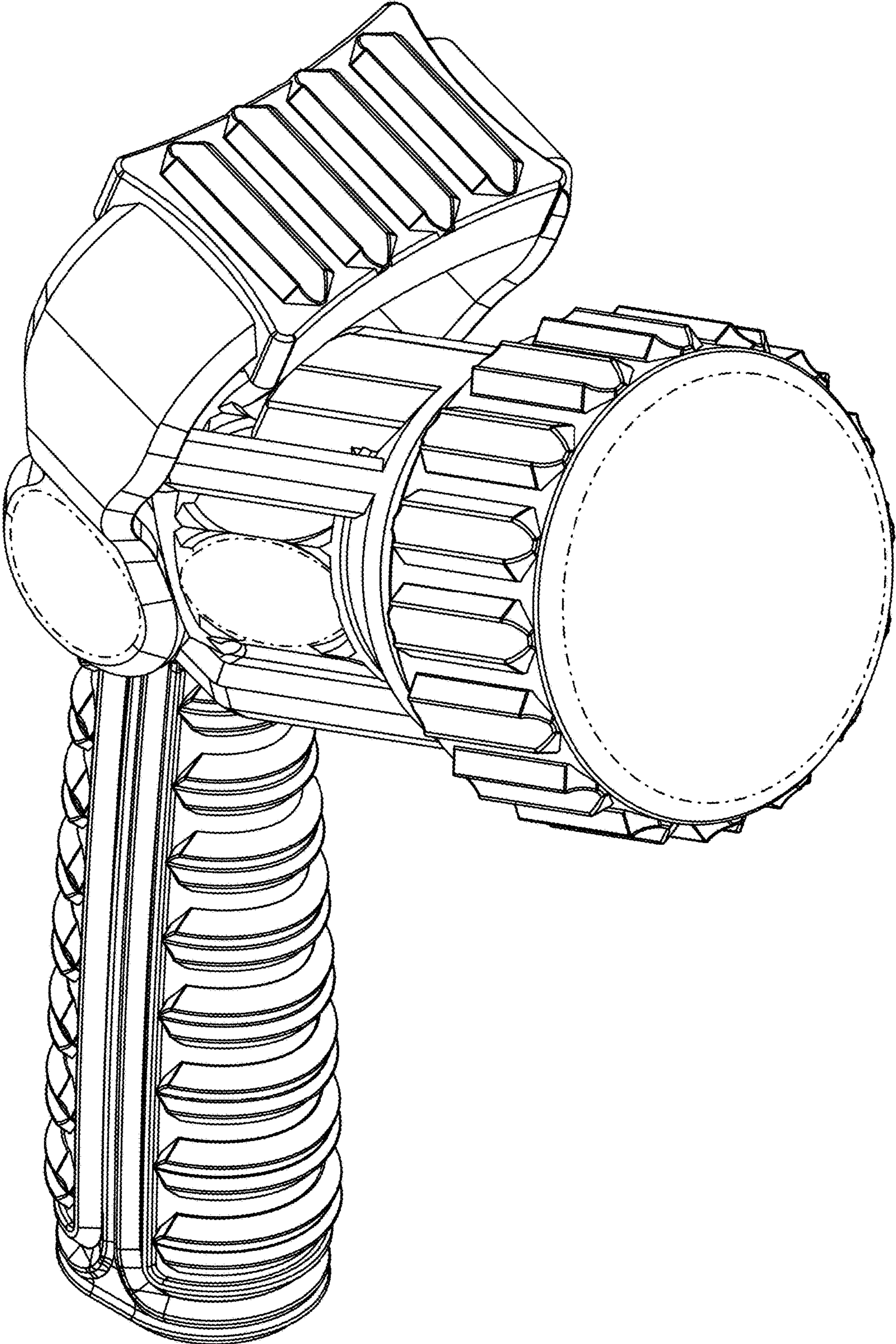


FIG. 1

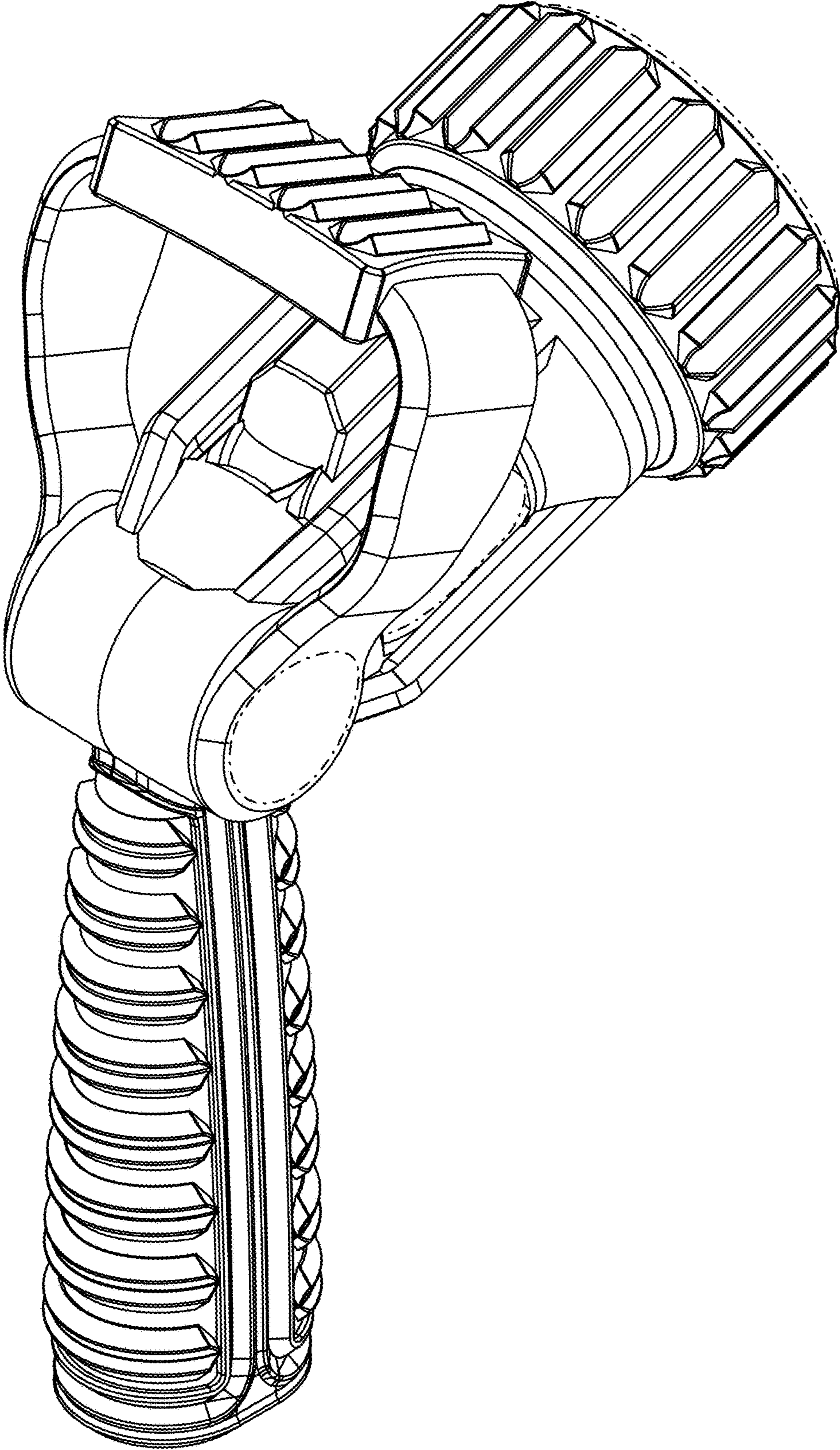


FIG. 2

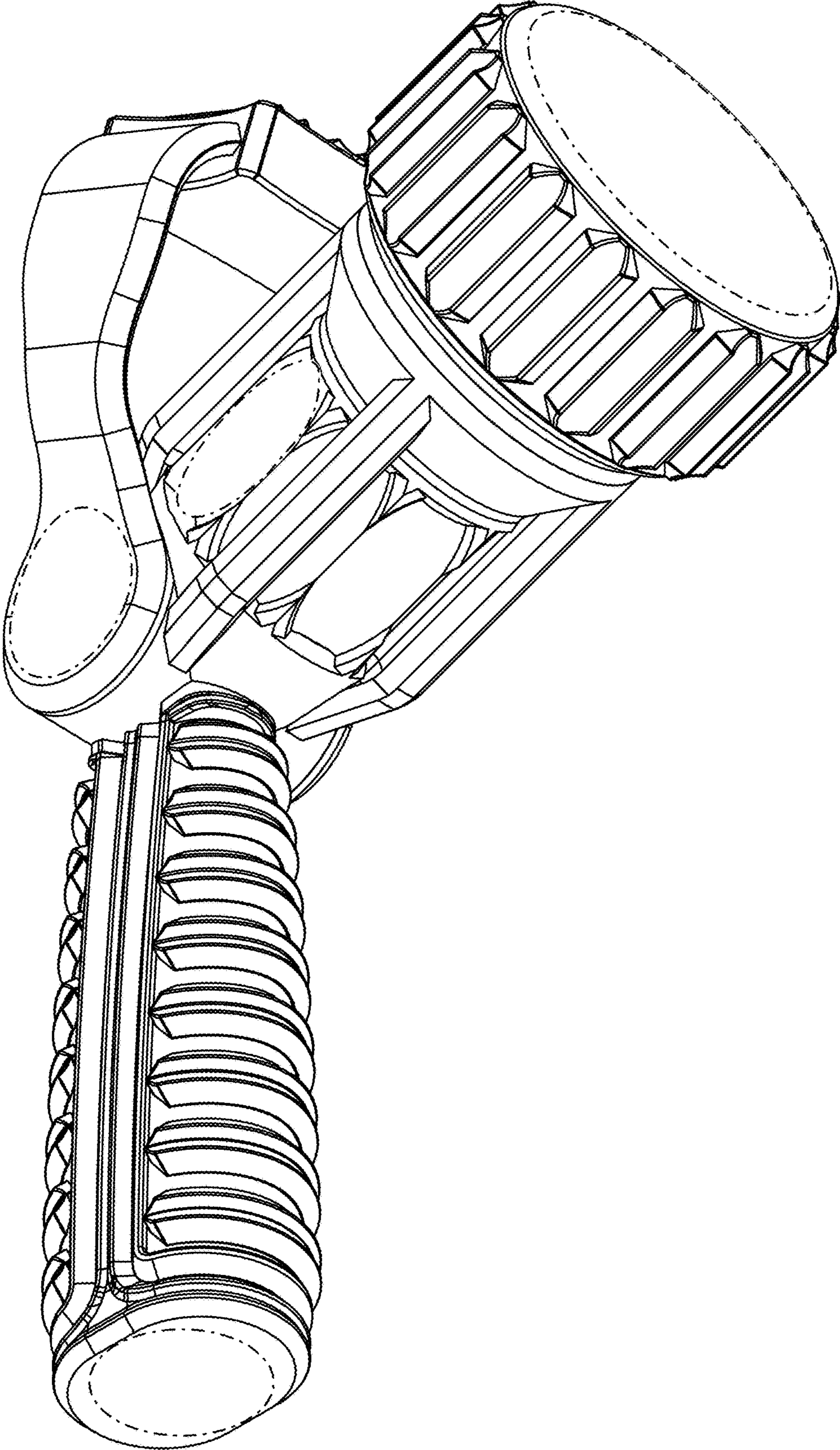


FIG. 3

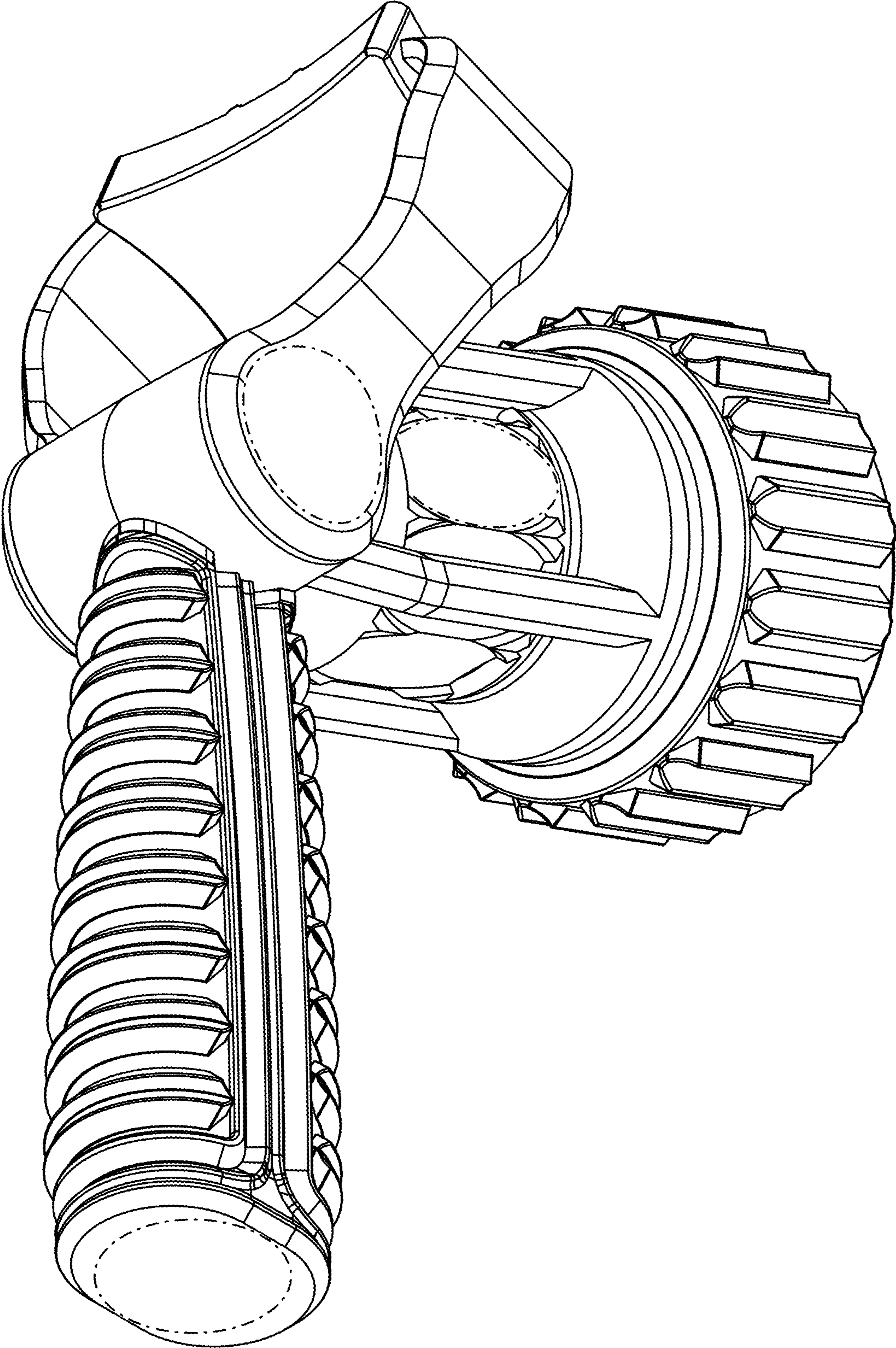


FIG. 4

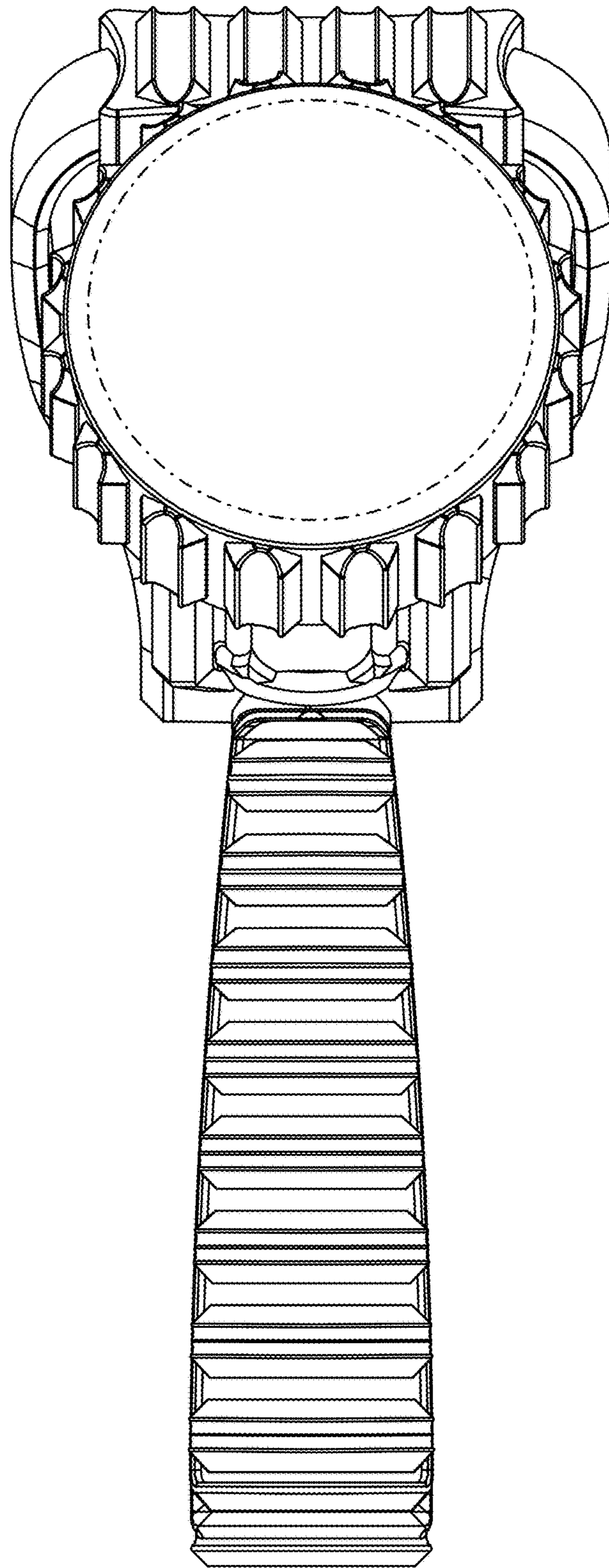


FIG. 5

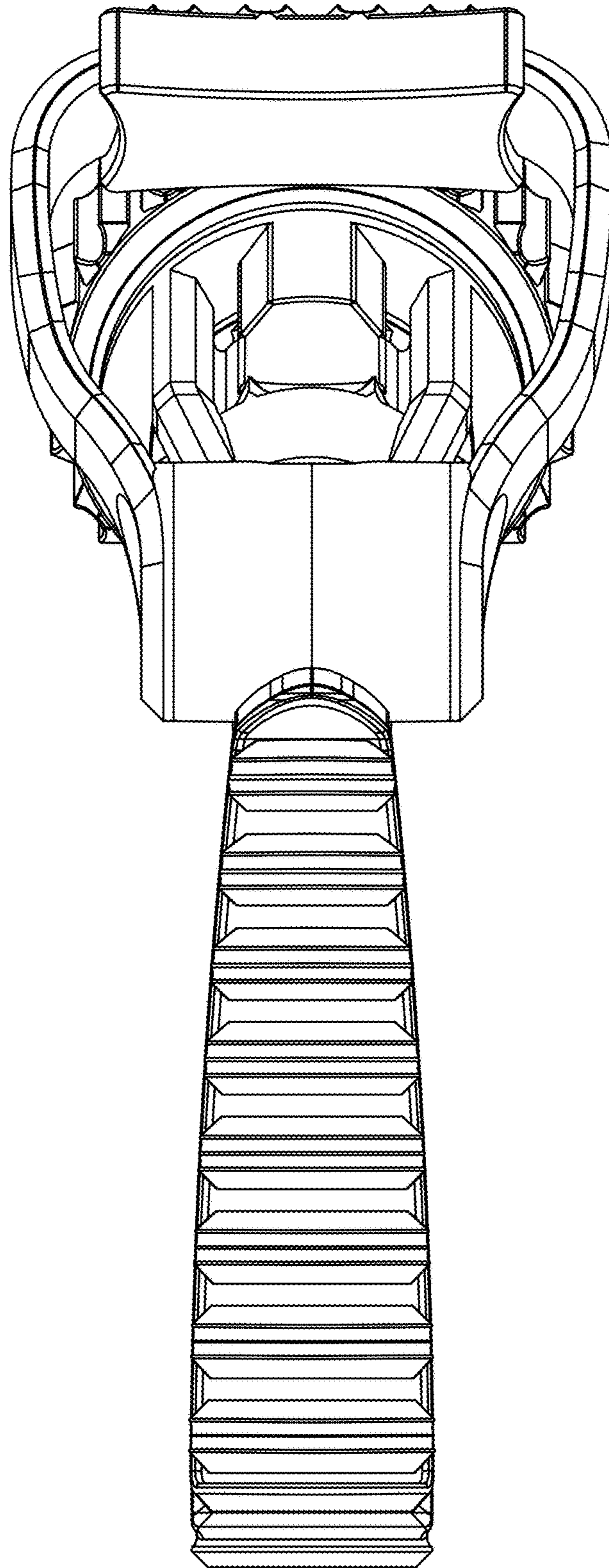


FIG. 6

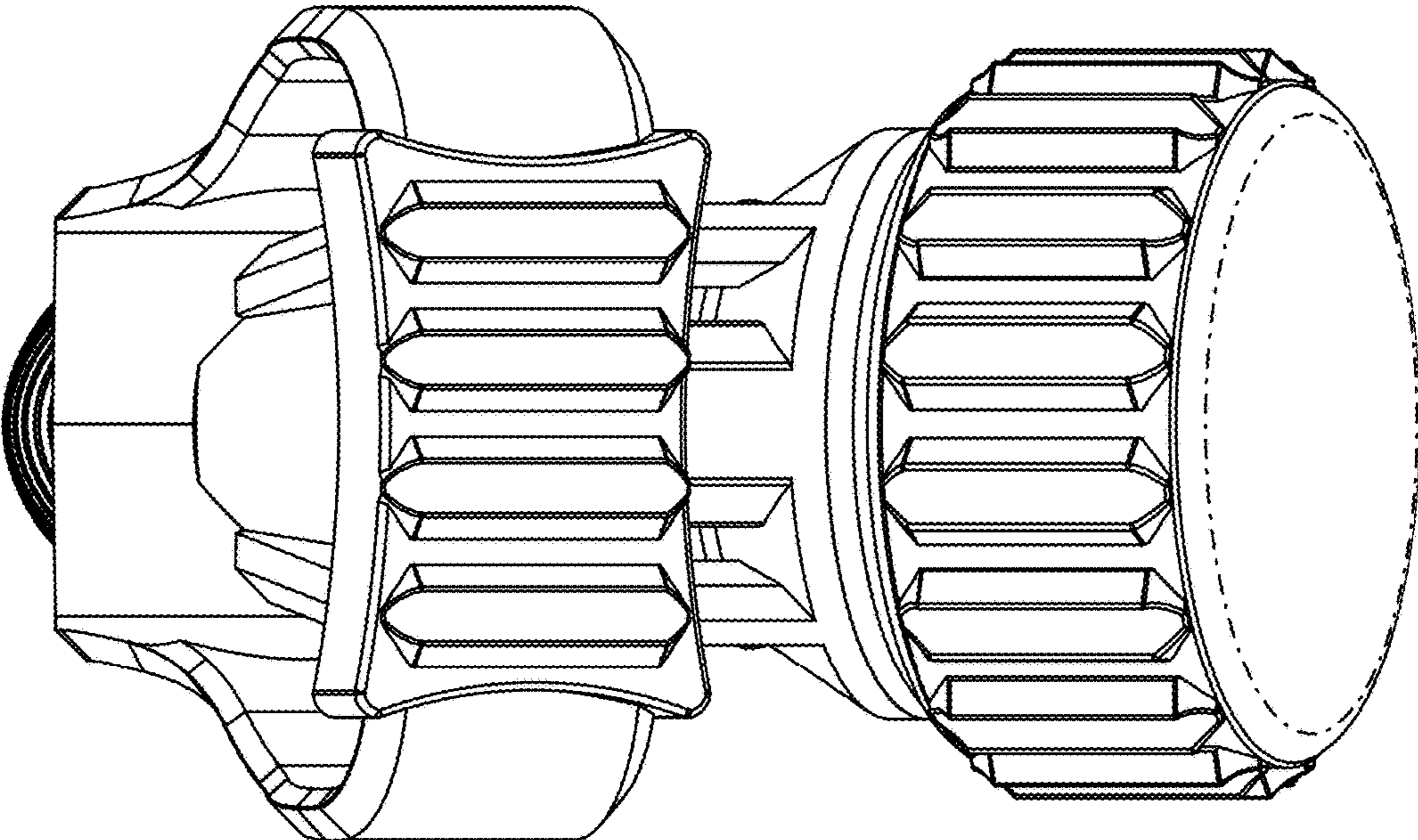


FIG. 7

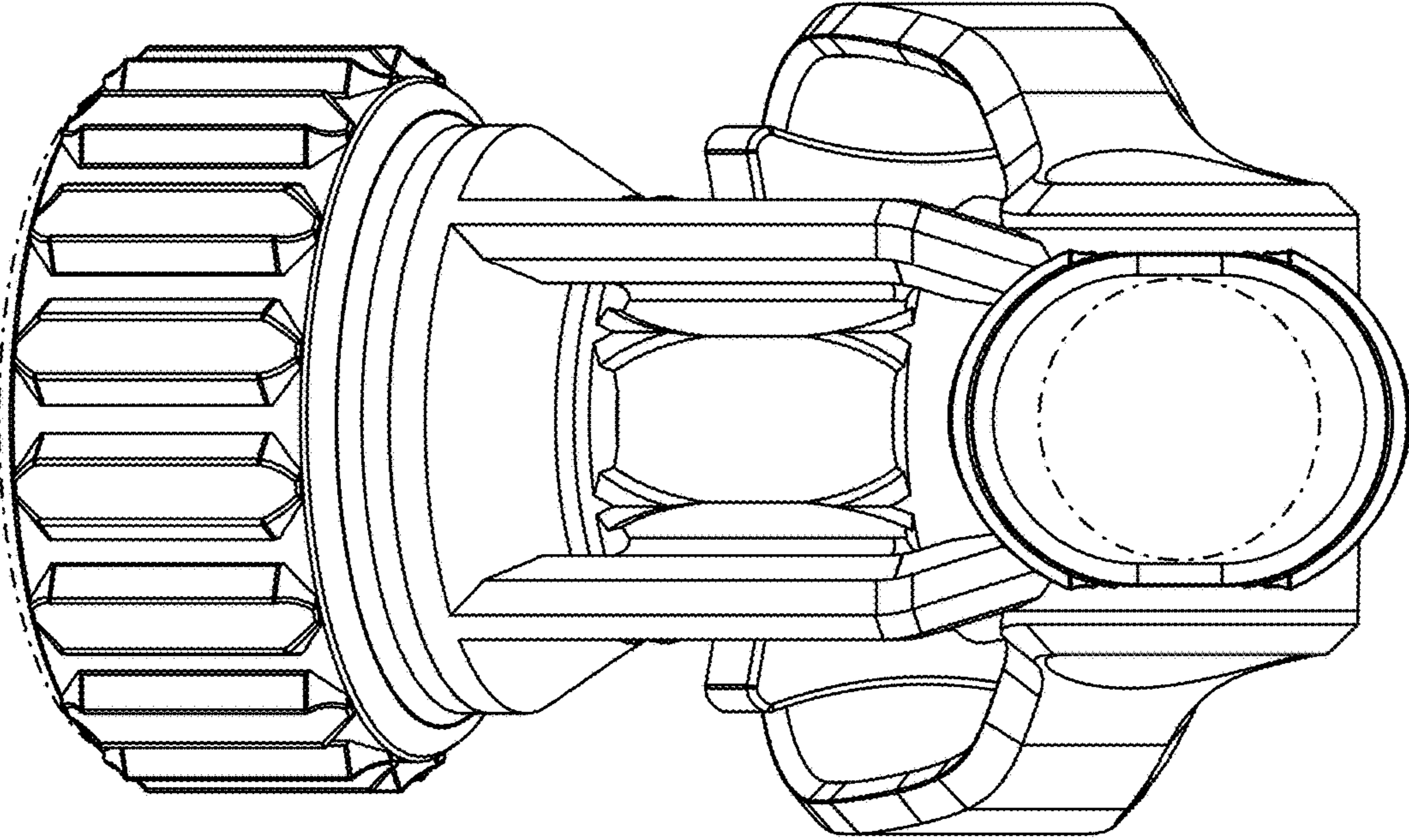


FIG. 8

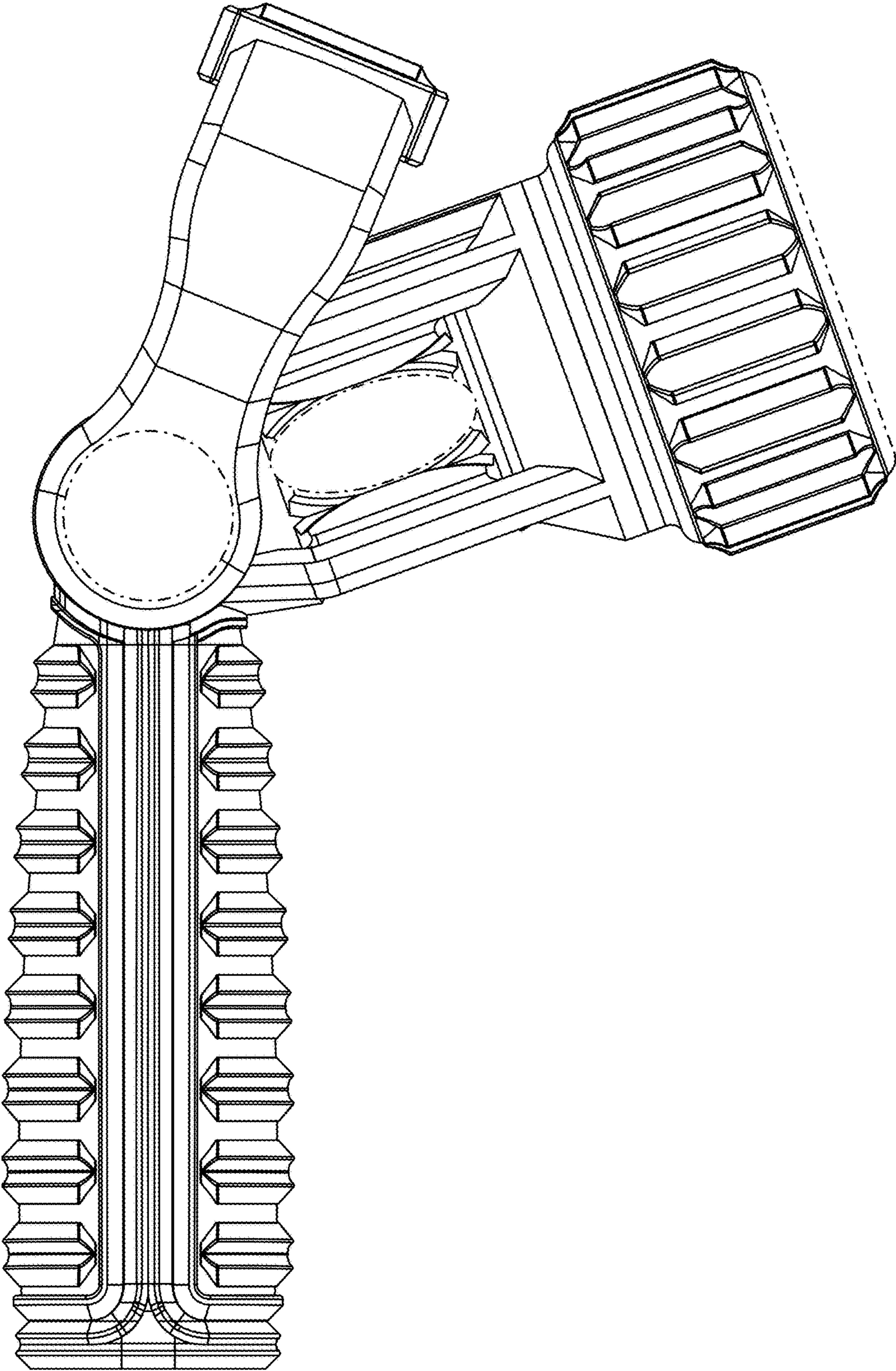


FIG. 9

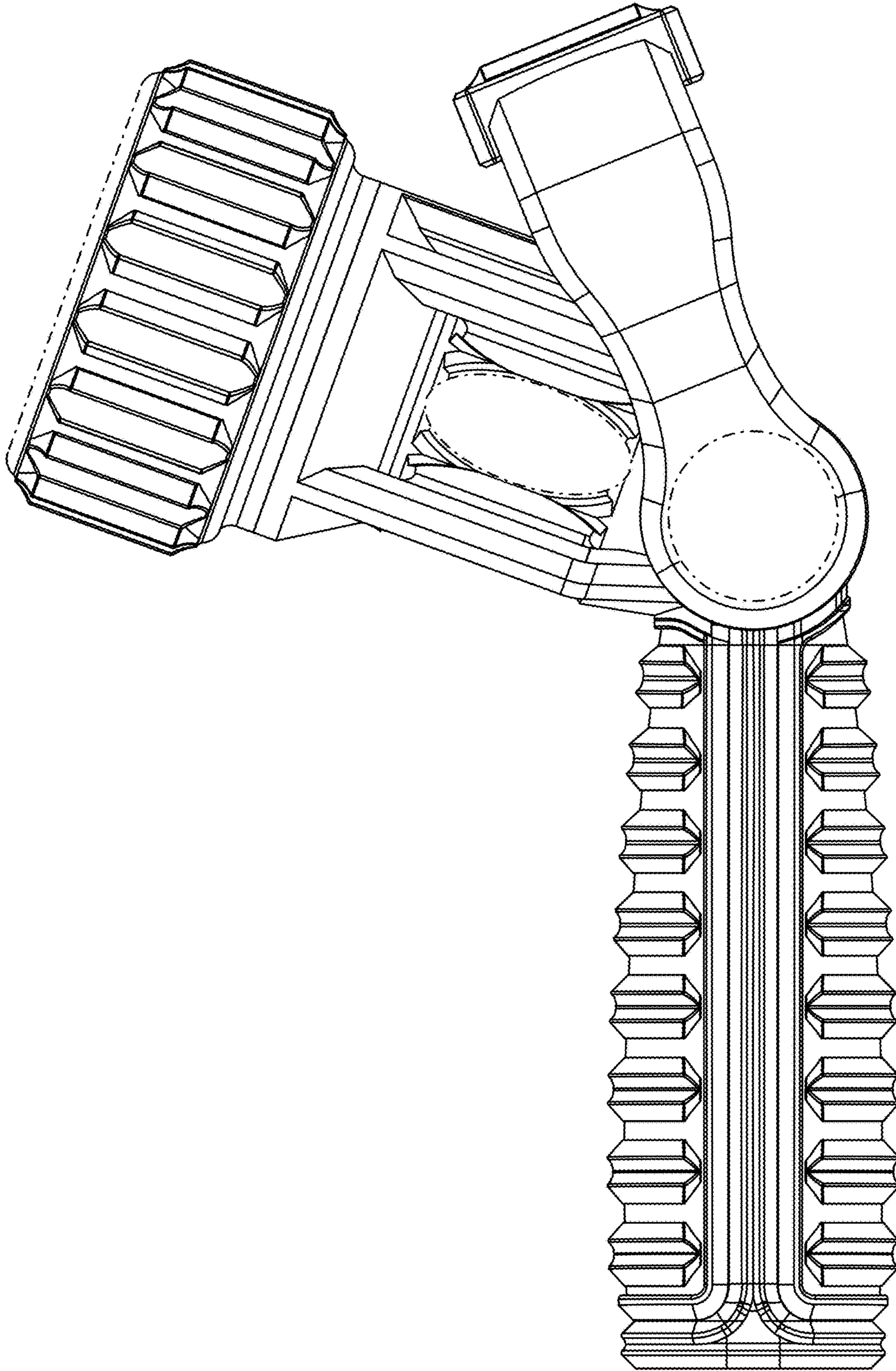


FIG. 10

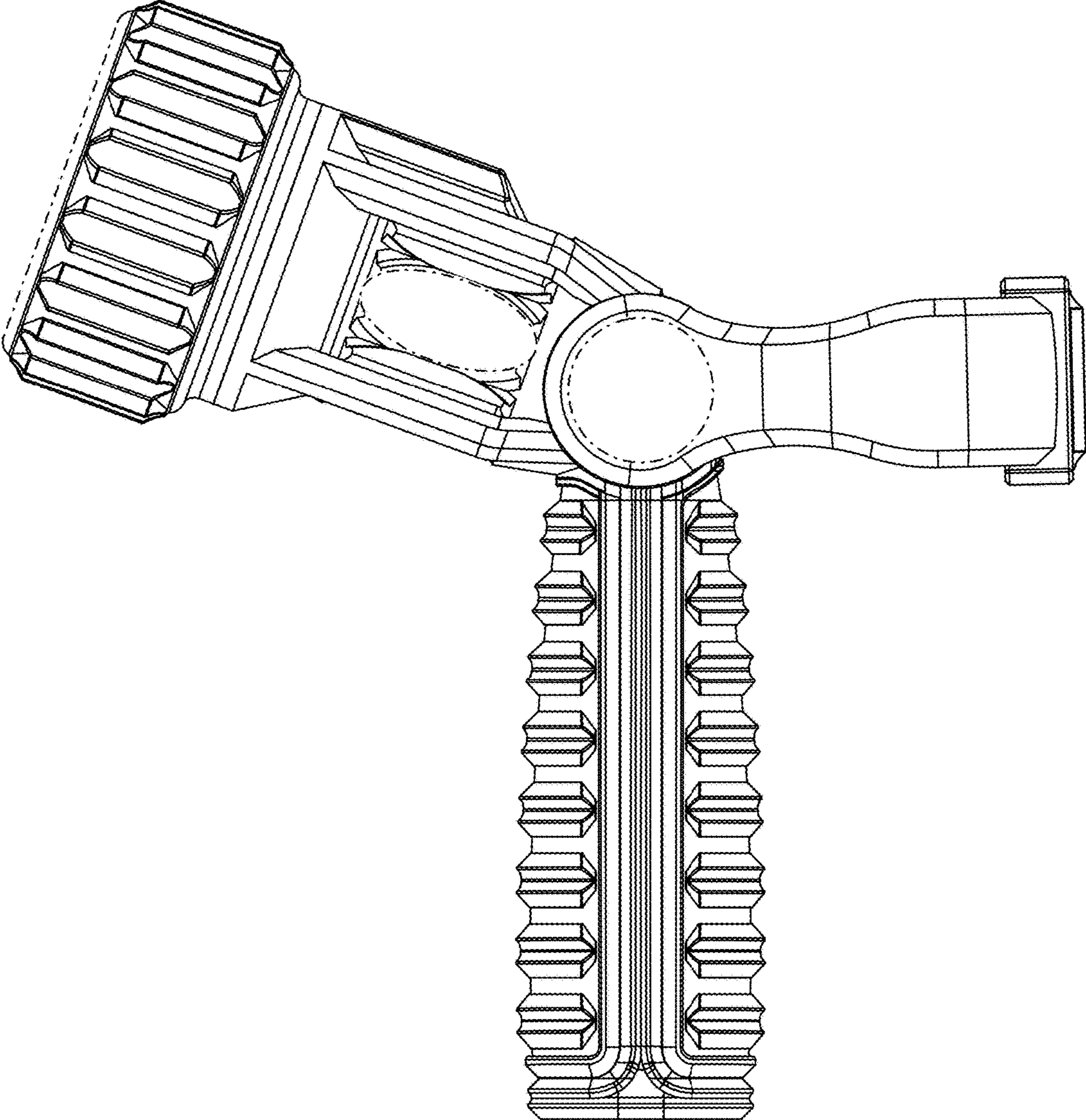


FIG. 11