



US00D822159S

(12) **United States Design Patent**  
**Tempel**

(10) **Patent No.:** **US D822,159 S**

(45) **Date of Patent:** **\*\* Jul. 3, 2018**

(54) **FAUCET STREAM STRAIGHTENER**

(71) Applicant: **NEOPERL GMBH**, Müllheim (DE)

(72) Inventor: **Marc Tempel**, Freiburg i. Br. (DE)

(73) Assignee: **Neoperl GmbH**, Müllheim (DE)

(\*\*) Term: **15 Years**

(21) Appl. No.: **35/502,057**

(22) Filed: **Nov. 23, 2016**

(80) **Hague Agreement Data**

Int. Filing Date: **Nov. 23, 2016**

Int. Reg. No.: **DM/093602**

Int. Reg. Date: **Nov. 23, 2016**

Int. Reg. Pub. Date: **Dec. 9, 2016**

(51) **LOC (11) Cl.** ..... **23-01**

(52) **U.S. Cl.**

USPC ..... **D23/213**

(58) **Field of Classification Search**

USPC ..... 239/428.5, 437; 261/DIG. 22; 366/276,  
366/364, 365

CPC ..... B05B 7/0425; E03C 1/08; E03C 1/084;  
E03C 1/086; E03C 2001/026

See application file for complete search history.

(56) **References Cited**

**U.S. PATENT DOCUMENTS**

D529,588 S	*	10/2006	Grether	.....	D23/249
D539,873 S	*	4/2007	Grether	.....	D23/249
D550,814 S	*	9/2007	Grether	.....	D23/249
D550,815 S	*	9/2007	Grether	.....	D23/249
D550,816 S	*	9/2007	Grether	.....	D23/249
D550,817 S	*	9/2007	Grether	.....	D23/249
D550,818 S	*	9/2007	Grether	.....	D23/249
D605,732 S	*	12/2009	Stein	.....	D23/249

D612,911 S	*	3/2010	Grether	.....	D23/249
D622,355 S	*	8/2010	Grether	.....	D23/249
D684,241 S	*	6/2013	Tempel	.....	D23/213
D688,774 S	*	8/2013	Tempel	.....	D23/213
D691,238 S	*	10/2013	Grether	.....	D23/213
D728,740 S	*	5/2015	Tempel	.....	D23/213
D745,641 S	*	12/2015	Blum	.....	D23/213
D752,710 S	*	3/2016	Tempel	.....	D23/213
D776,240 S	*	1/2017	Huang	.....	D23/213
D776,242 S	*	1/2017	Blum	.....	D23/213
D788,264 S	*	5/2017	Stein	.....	D23/213
D797,236 S	*	9/2017	Blum	.....	D23/213
2009/0173405 A1	*	7/2009	Denzler	.....	E03C 1/08 138/41
2016/0222637 A1	*	8/2016	Stein	.....	E03C 1/084

\* cited by examiner

*Primary Examiner* — Keli L Hill

(74) *Attorney, Agent, or Firm* — Volpe and Koenig, P.C.

(57) **CLAIM**

The ornamental design for a faucet stream straightener, as shown and described.

**DESCRIPTION**

1. and 5. Faucet stream straighteners

1.1 : Top

1.2 : Perspective

1.3 : Bottom

1.4 : Perspective

1.5 : Front

1.6 : Right

1.7 : Back

1.8 : Left

5.1 : Perspective

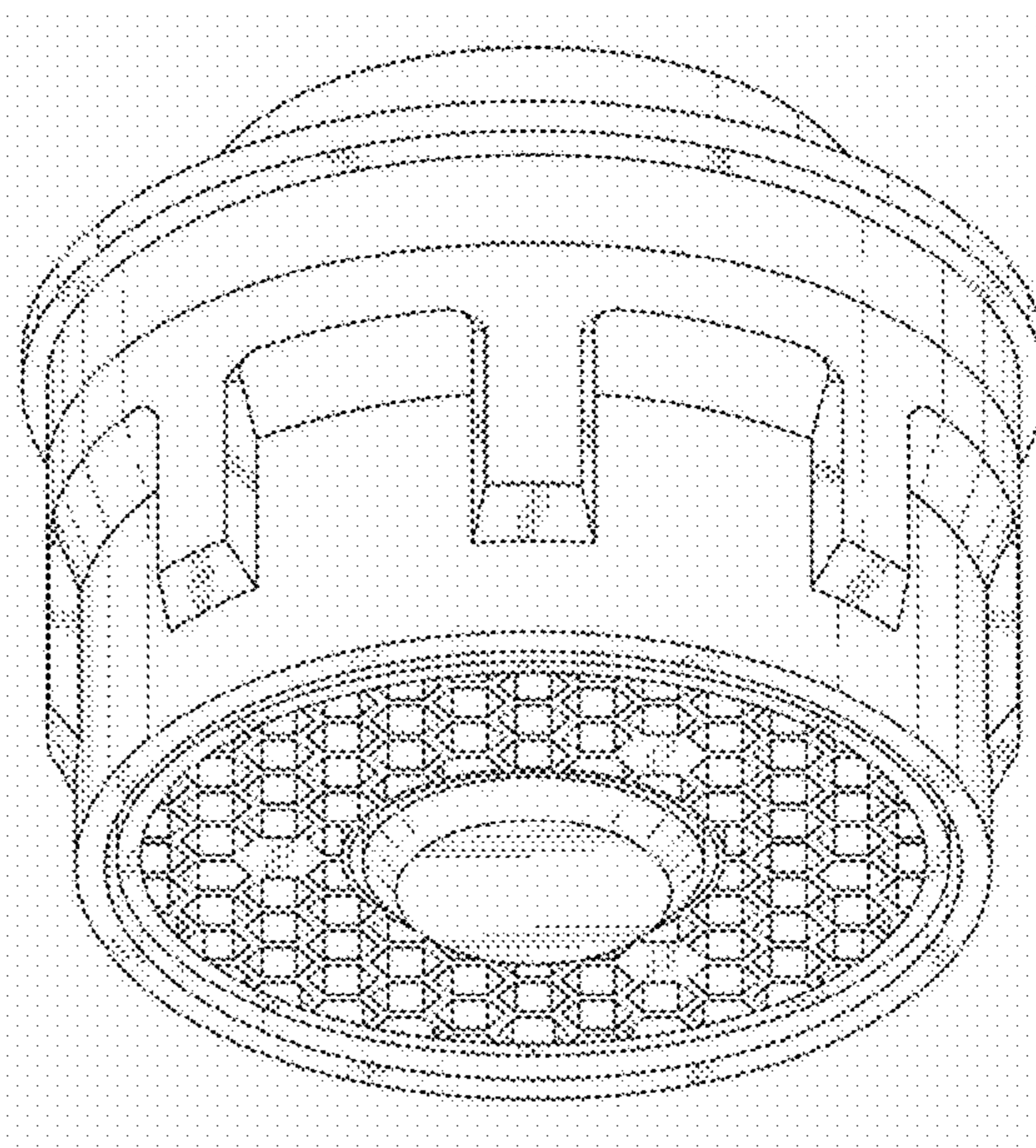
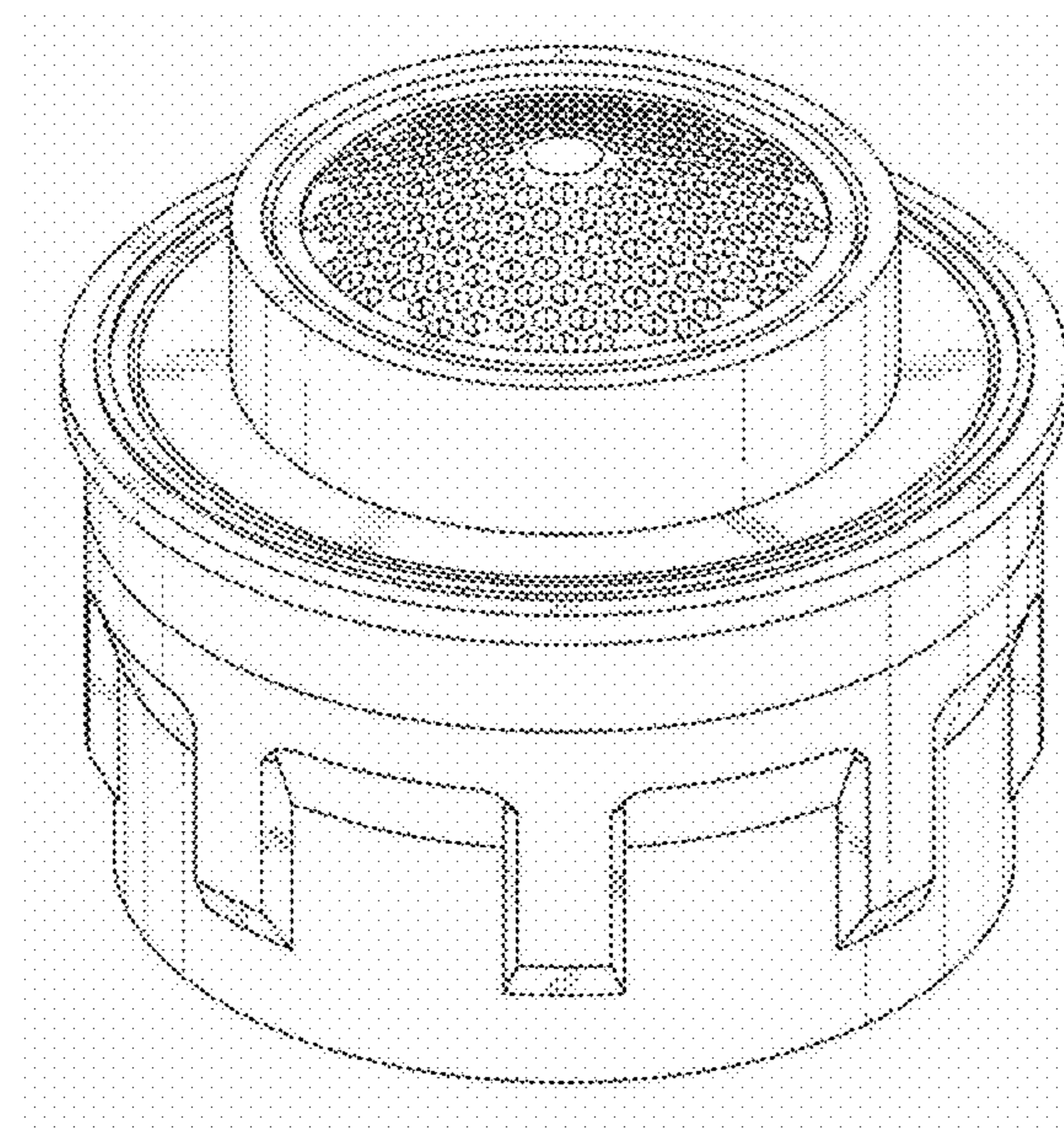
5.2 : Perspective

5.3 : Front

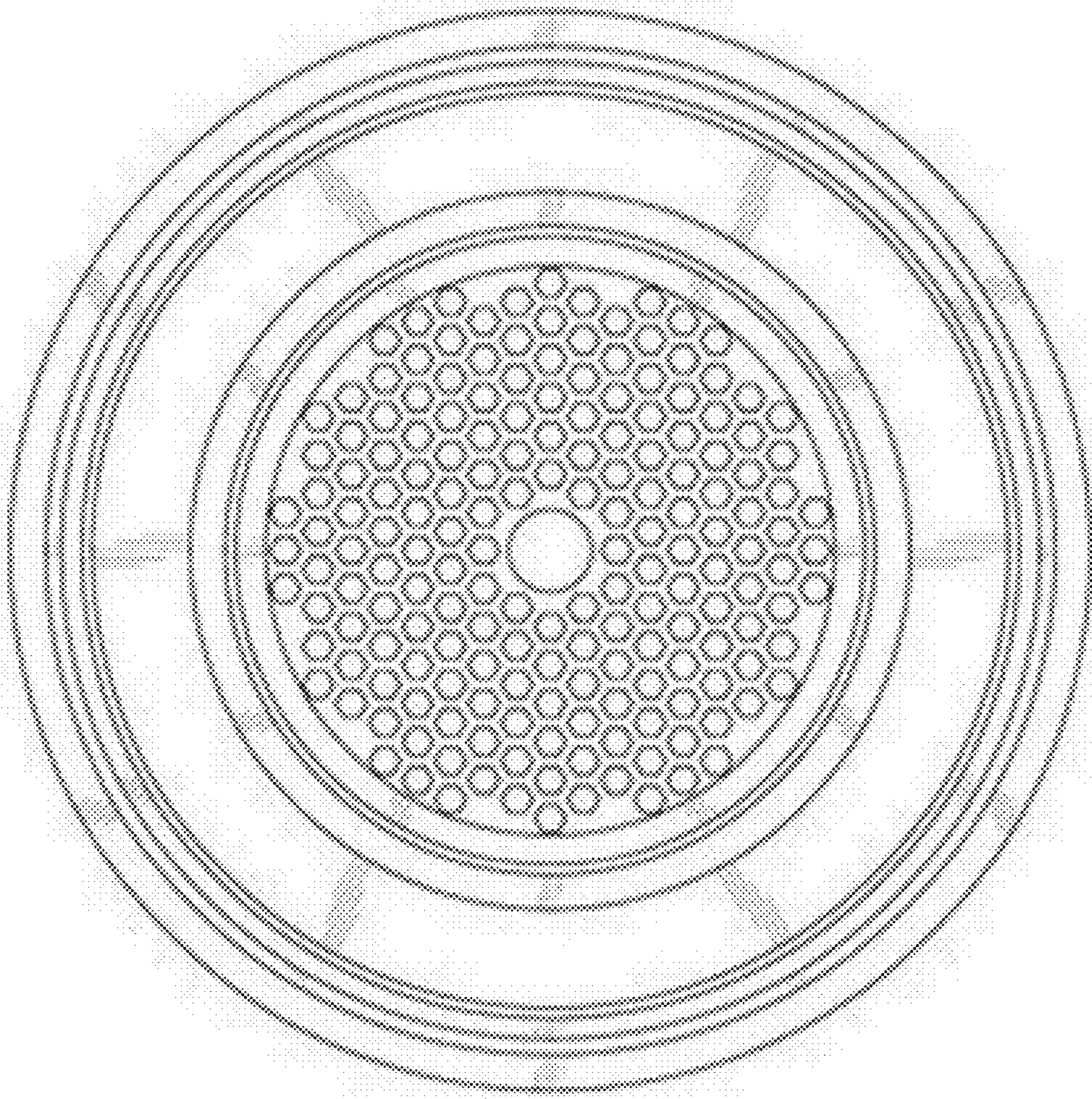
5.4 : Top

5.5 : Bottom

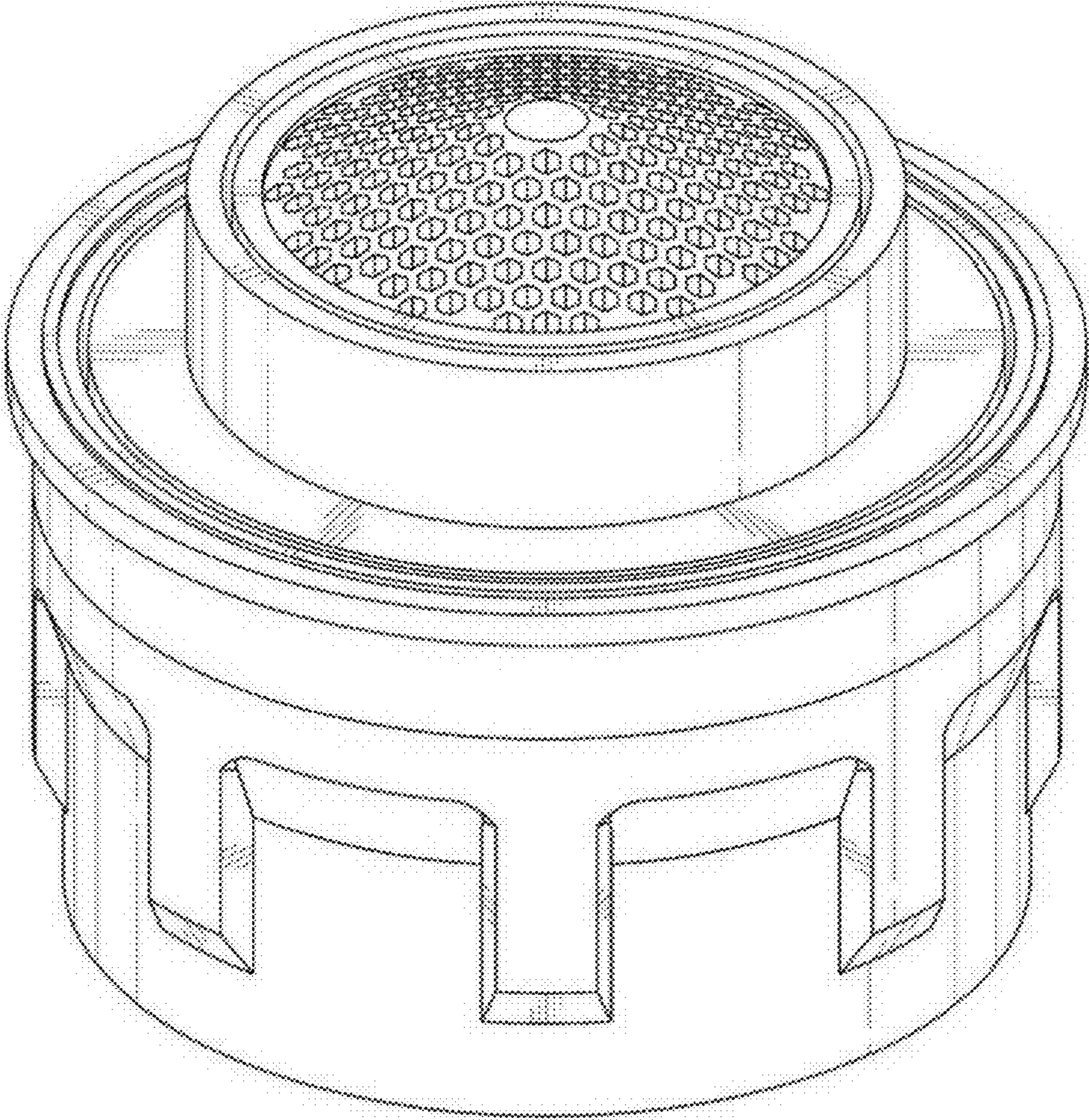
**1 Claim, 13 Drawing Sheets**



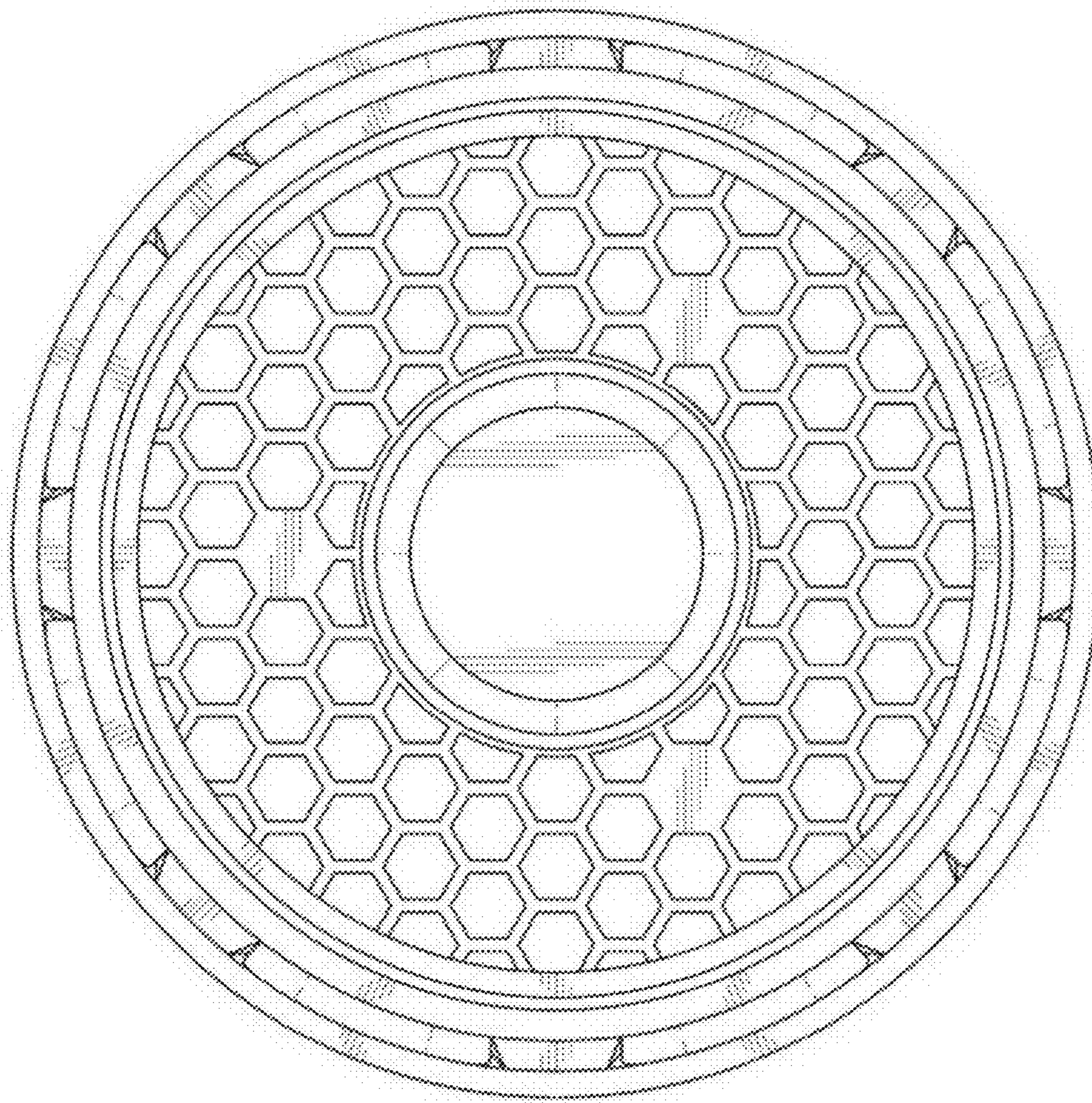
**1.1**



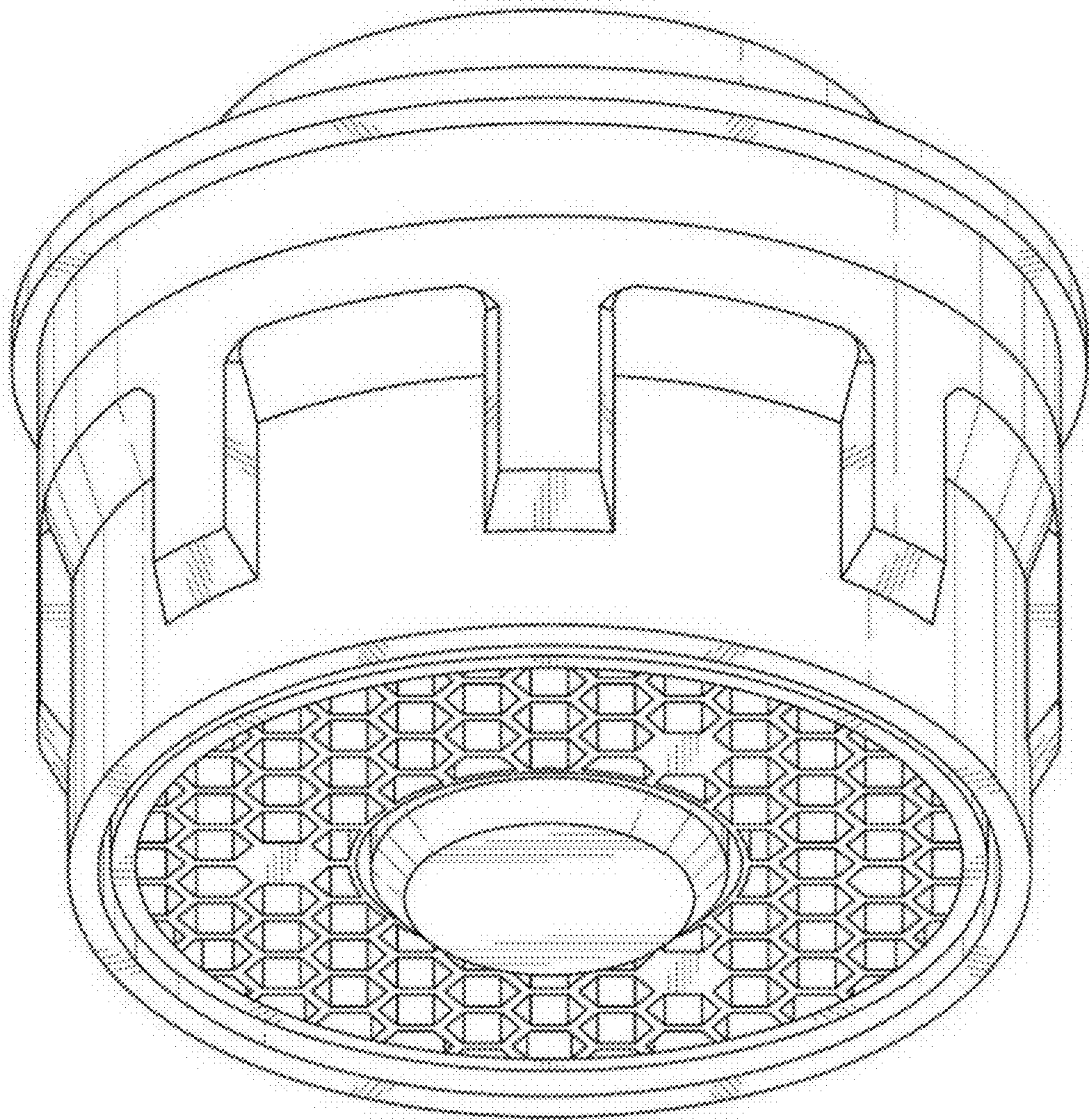
1.2



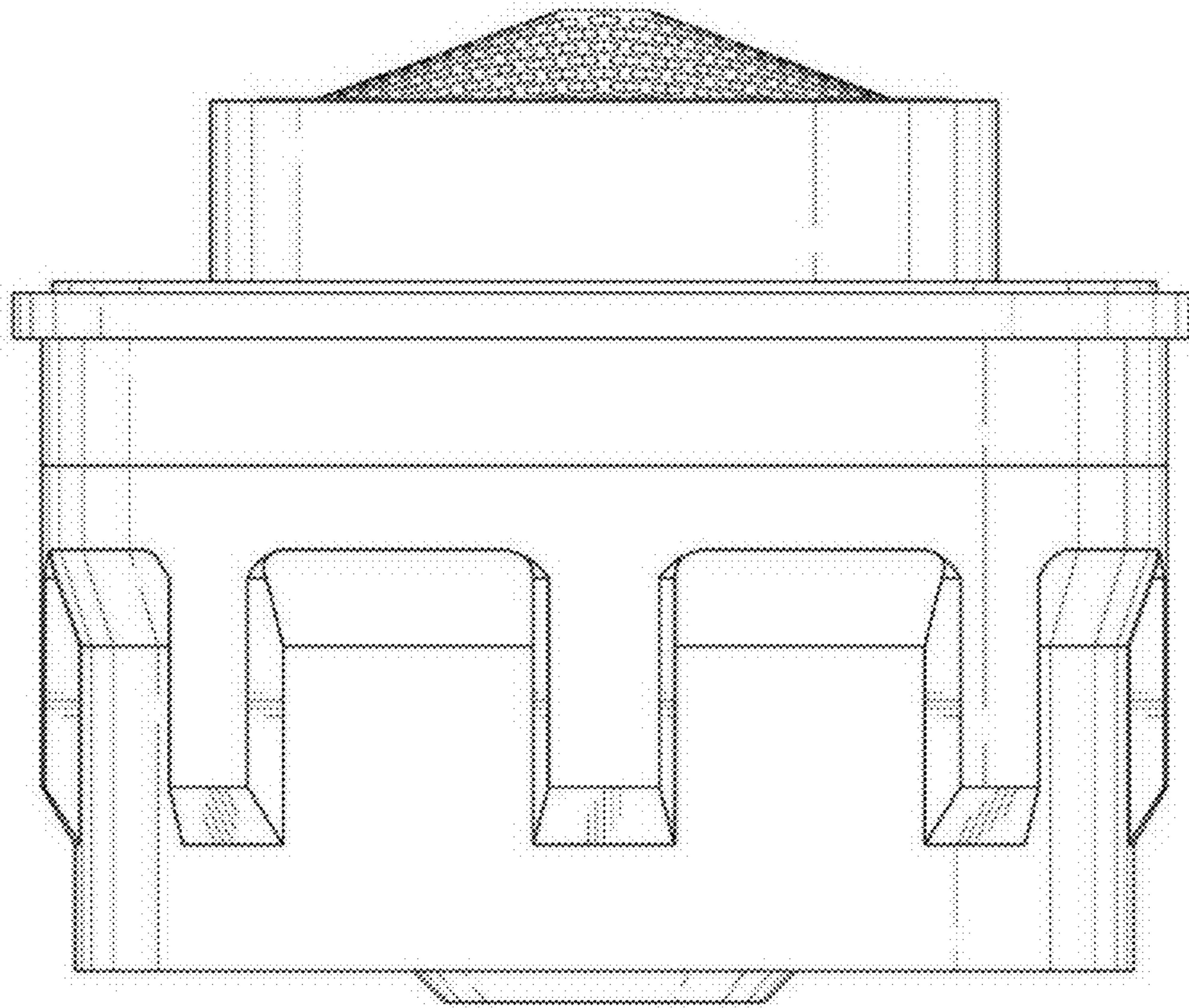
1.3



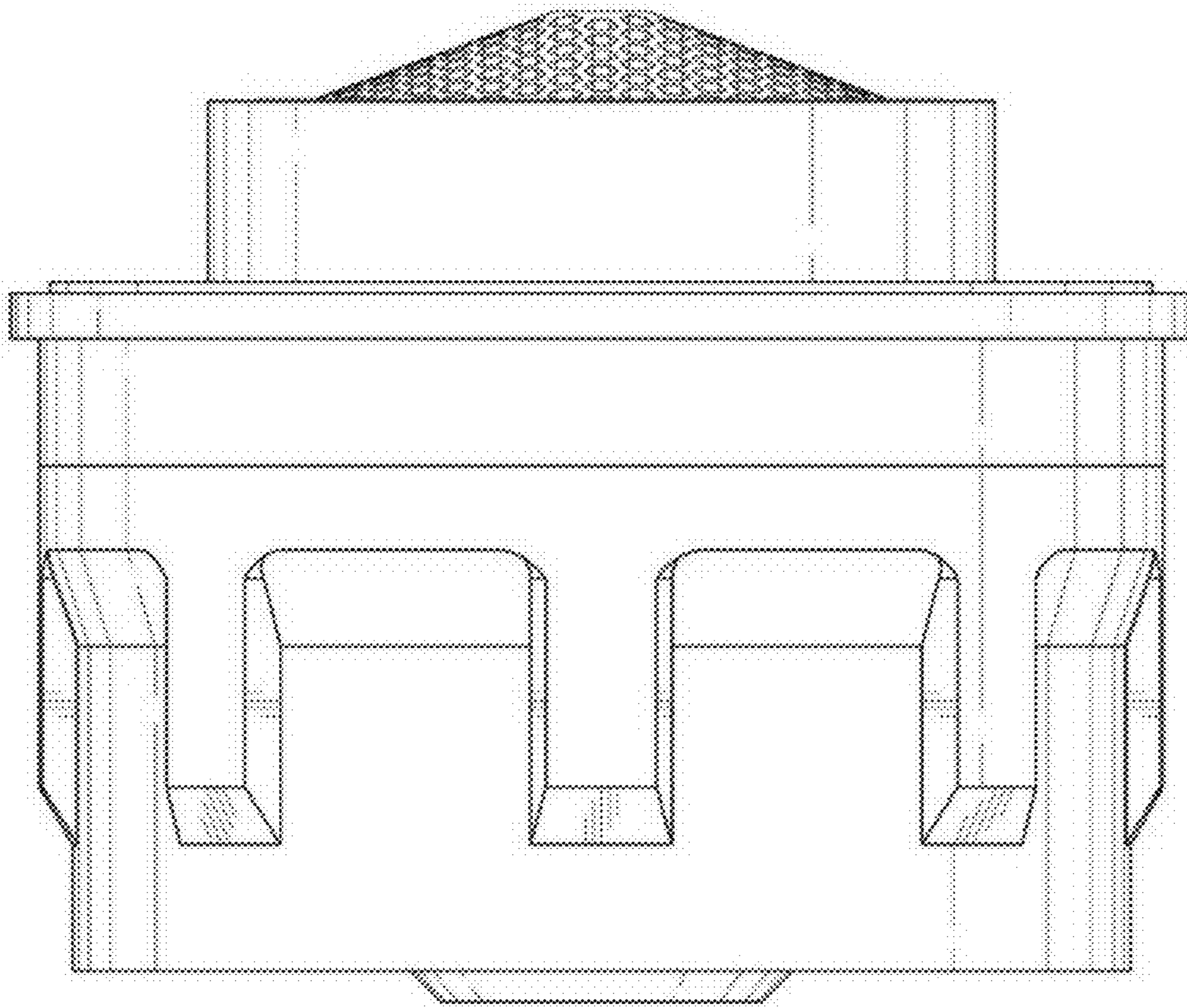
1.4



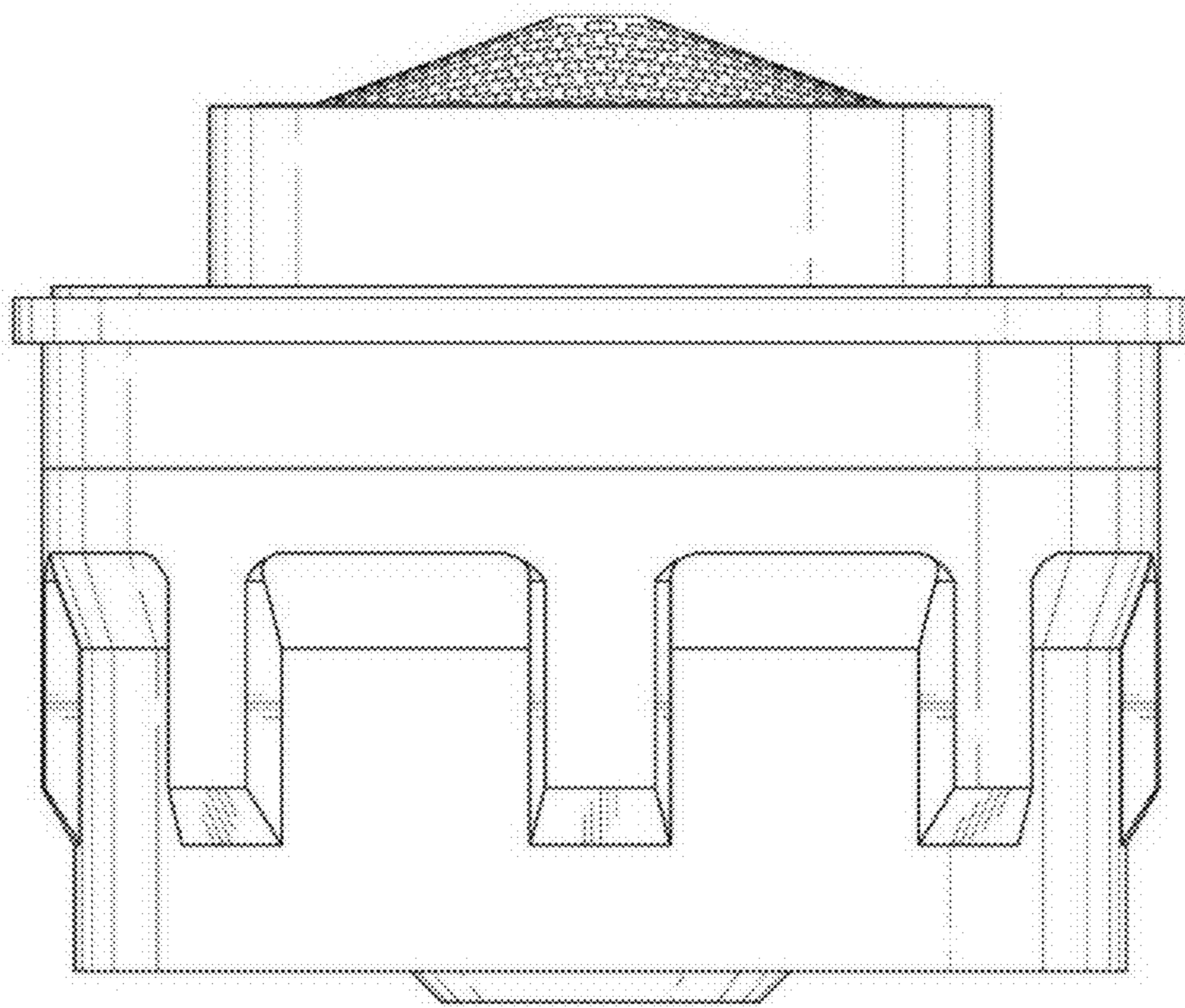
1.5



1.6

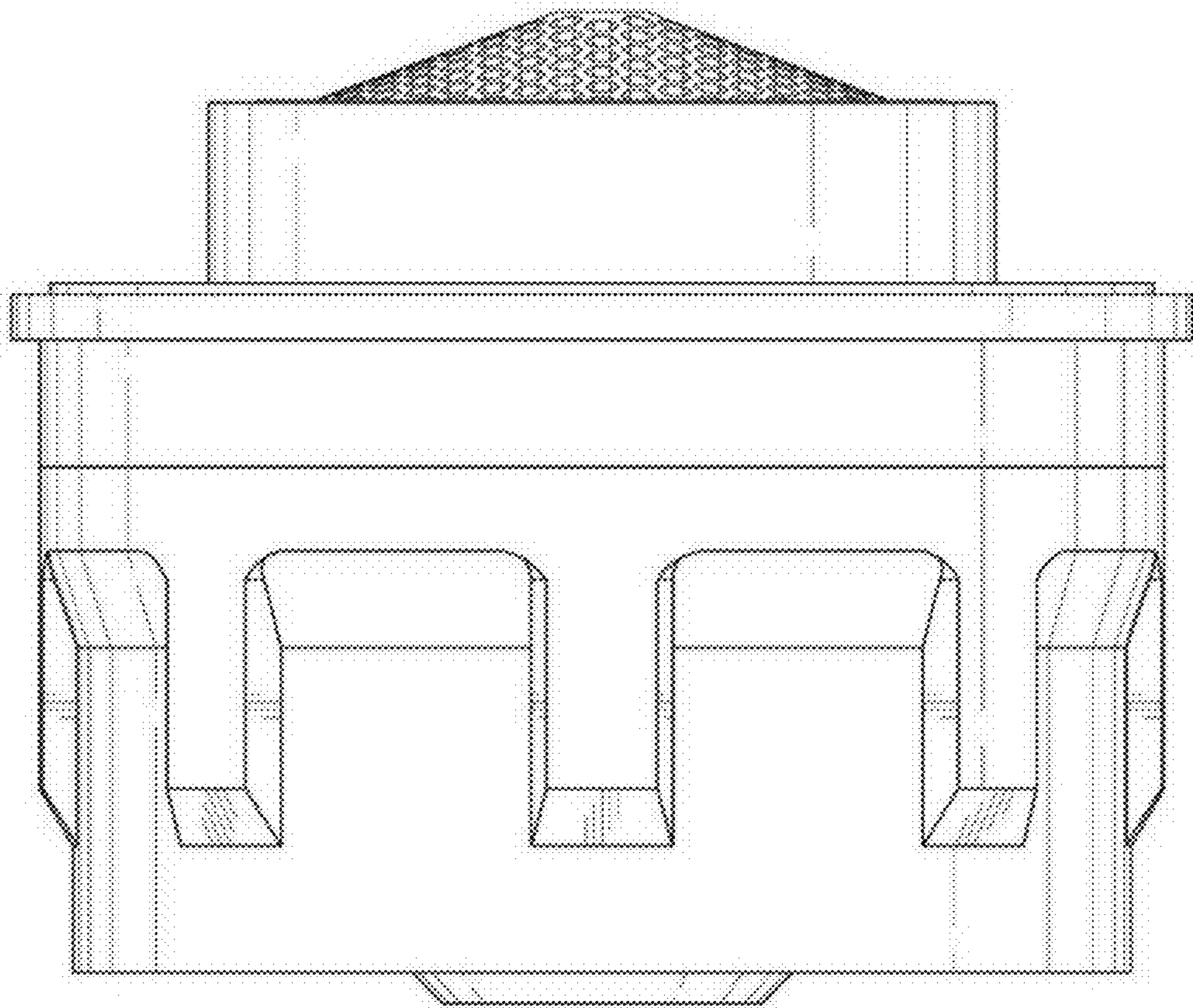


1.7





1.8



5.1



5.2



5.3



5.4



5.5

