



US00D822157S

(12) **United States Design Patent**
L'Henaff et al.

(10) **Patent No.:** **US D822,157 S**
(45) **Date of Patent:** **** Jul. 3, 2018**

(54) **SHOWERHEAD**

(71) Applicant: **AS IP Holdco, LLC**, Piscataway, NJ
(US)

(72) Inventors: **Jean-Jacques L'Henaff**, New Canaan,
CT (US); **Gabriela Ravassa**, Brooklyn,
NY (US)

(73) Assignee: **AS IP Holdco, LLC**, Piscataway, NJ
(US)

(**) Term: **15 Years**

(21) Appl. No.: **29/590,315**

(22) Filed: **Jan. 9, 2017**

(51) **LOC (11) Cl.** **23-01**

(52) **U.S. Cl.**

USPC **D23/213**

(58) **Field of Classification Search**

USPC D23/213, 223, 229, 230; D24/200, 215

CPC E03C 1/06; B05B 1/00; B05B 5/00; B05B

1/005; B05B 13/005

See application file for complete search history.

(56) **References Cited**

U.S. PATENT DOCUMENTS

D524,410 S * 7/2006 Tse D23/229

D681,781 S * 5/2013 Cutler D23/229

D694,359 S * 11/2013 Schoenherr D23/213

D694,856 S * 12/2013 Madsen D23/229

D710,973 S * 8/2014 Madsen D23/229

D730,488 S * 5/2015 Harwanko D23/229

D736,348 S * 8/2015 Tan D23/213

D749,694 S * 2/2016 Madsen D23/213

* cited by examiner

Primary Examiner — Robin V Webster

(74) *Attorney, Agent, or Firm* — Morrison & Foerster
LLP

(57) **CLAIM**

The ornamental design for a showerhead, as shown and described.

DESCRIPTION

FIG. 1 is a front and bottom perspective view of a showerhead showing the new design;

FIG. 2 is a front and top perspective view thereof;

FIG. 3 is a bottom plan view thereof;

FIG. 4 is a top plan view thereof;

FIG. 5 is a front elevational view thereof;

FIG. 6 is a rear elevational view thereof;

FIG. 7 is a left side elevational view thereof; and,

FIG. 8 is a right side elevational view thereof.

The features shown in broken lines form no part of the claimed design.

1 Claim, 4 Drawing Sheets

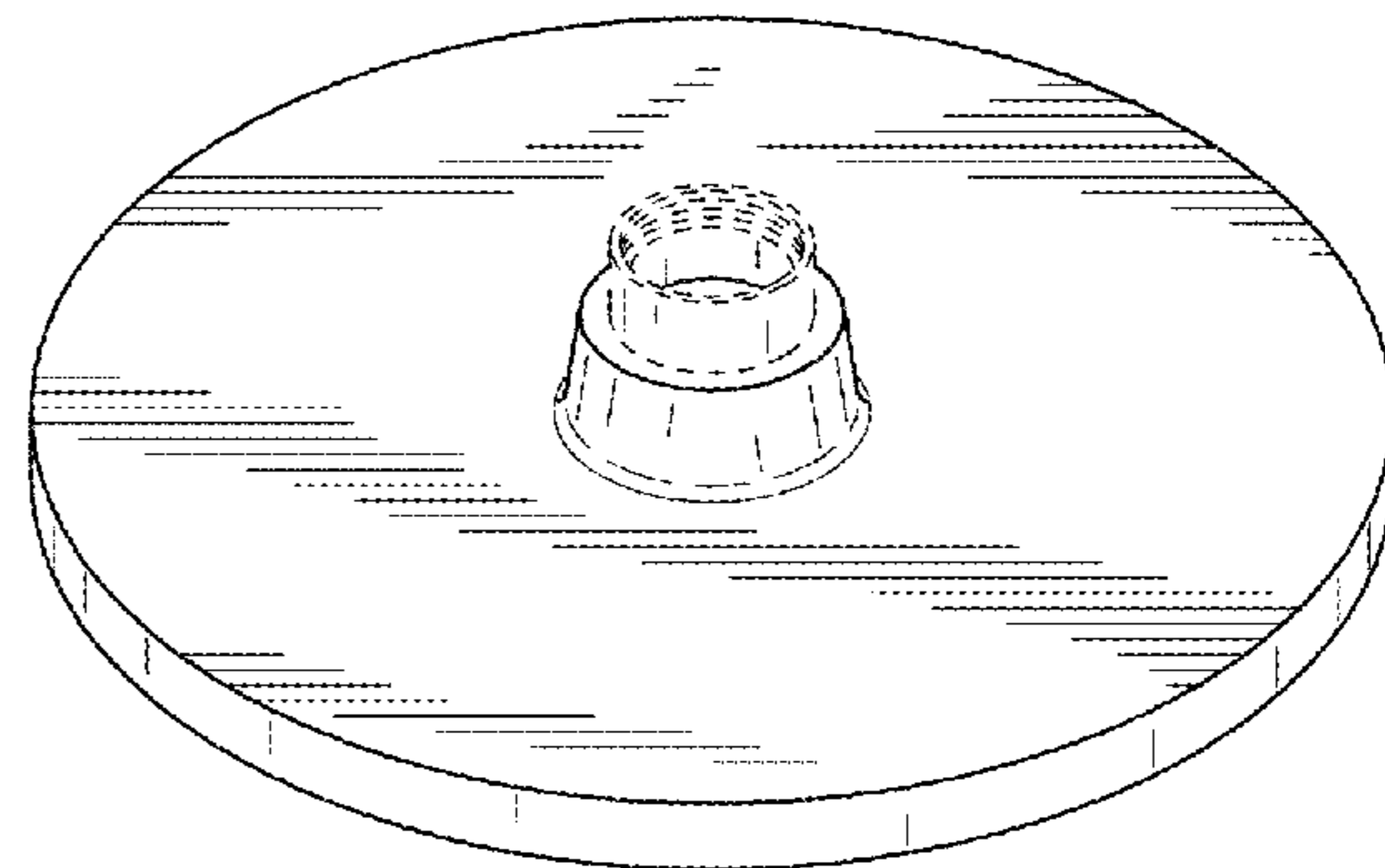
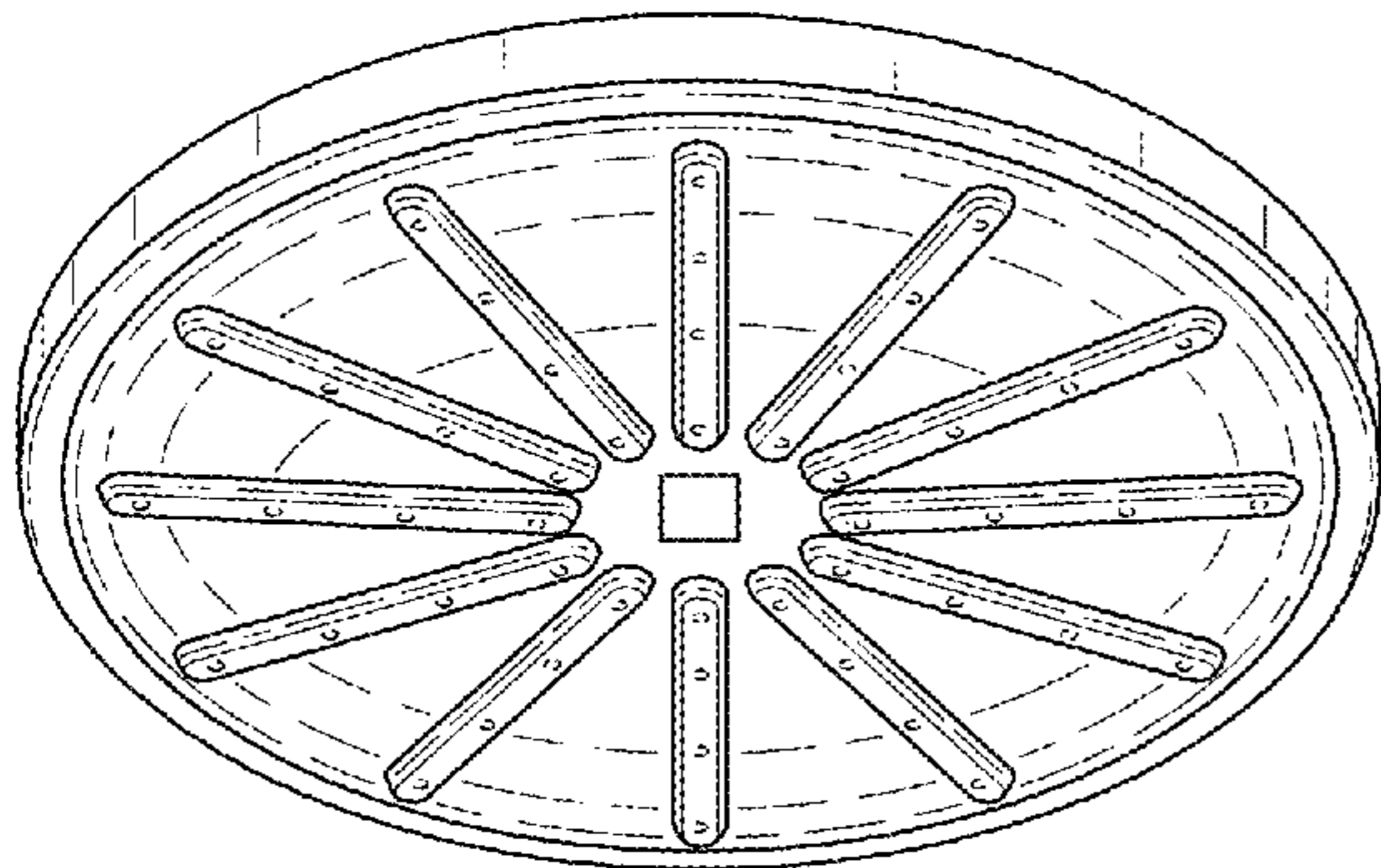


FIG. 1

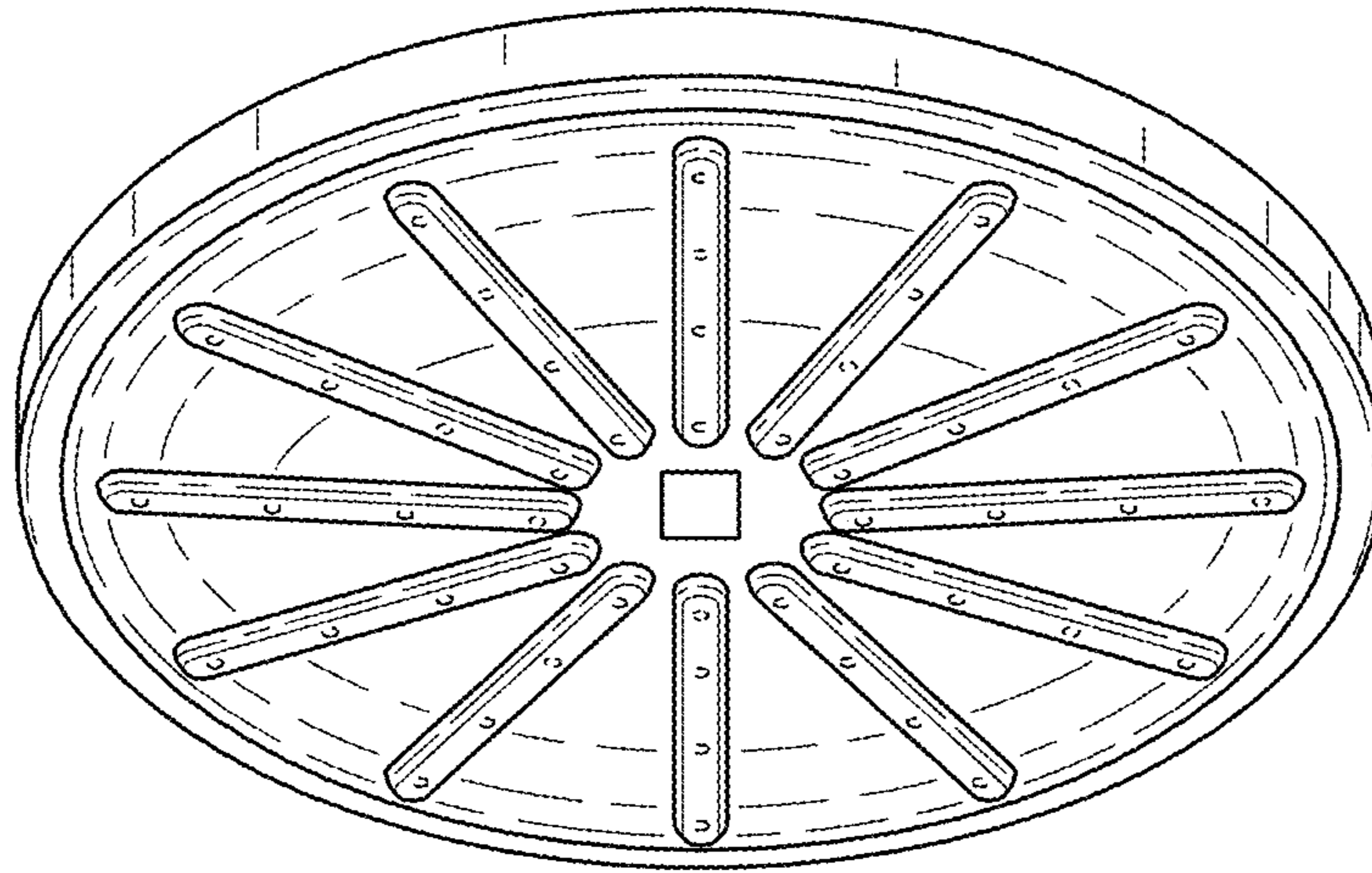


FIG. 2

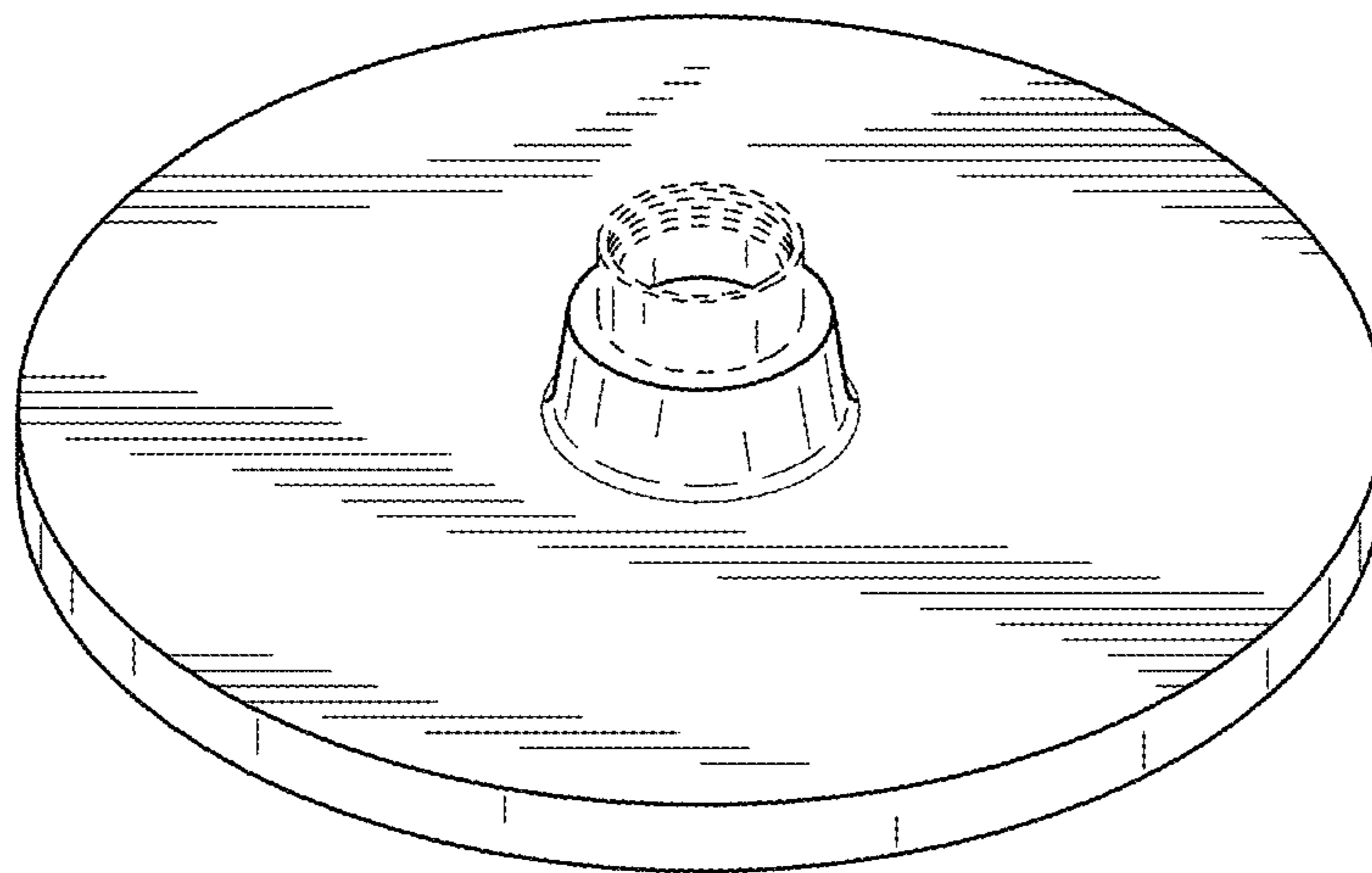


FIG. 3

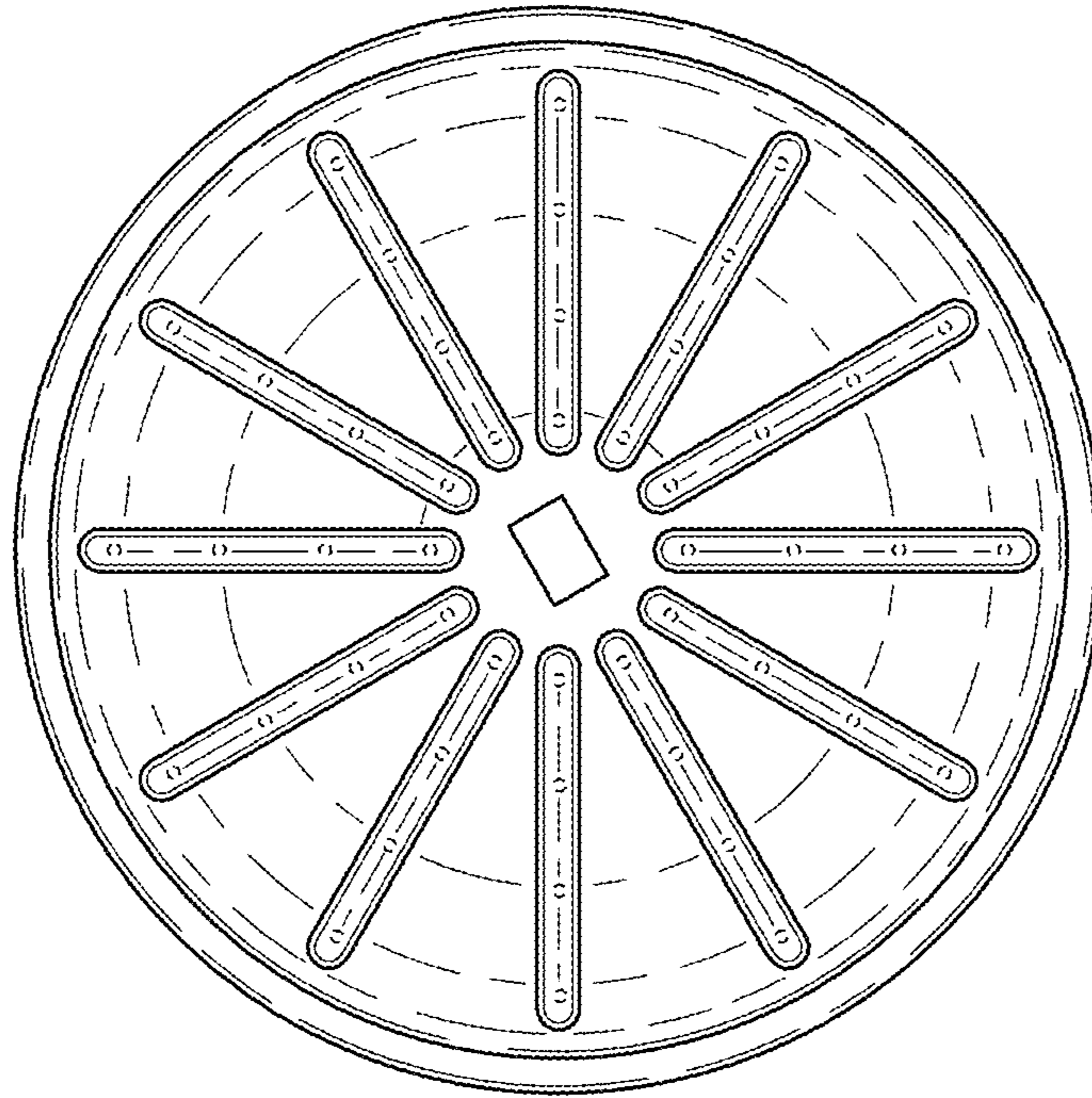


FIG. 4

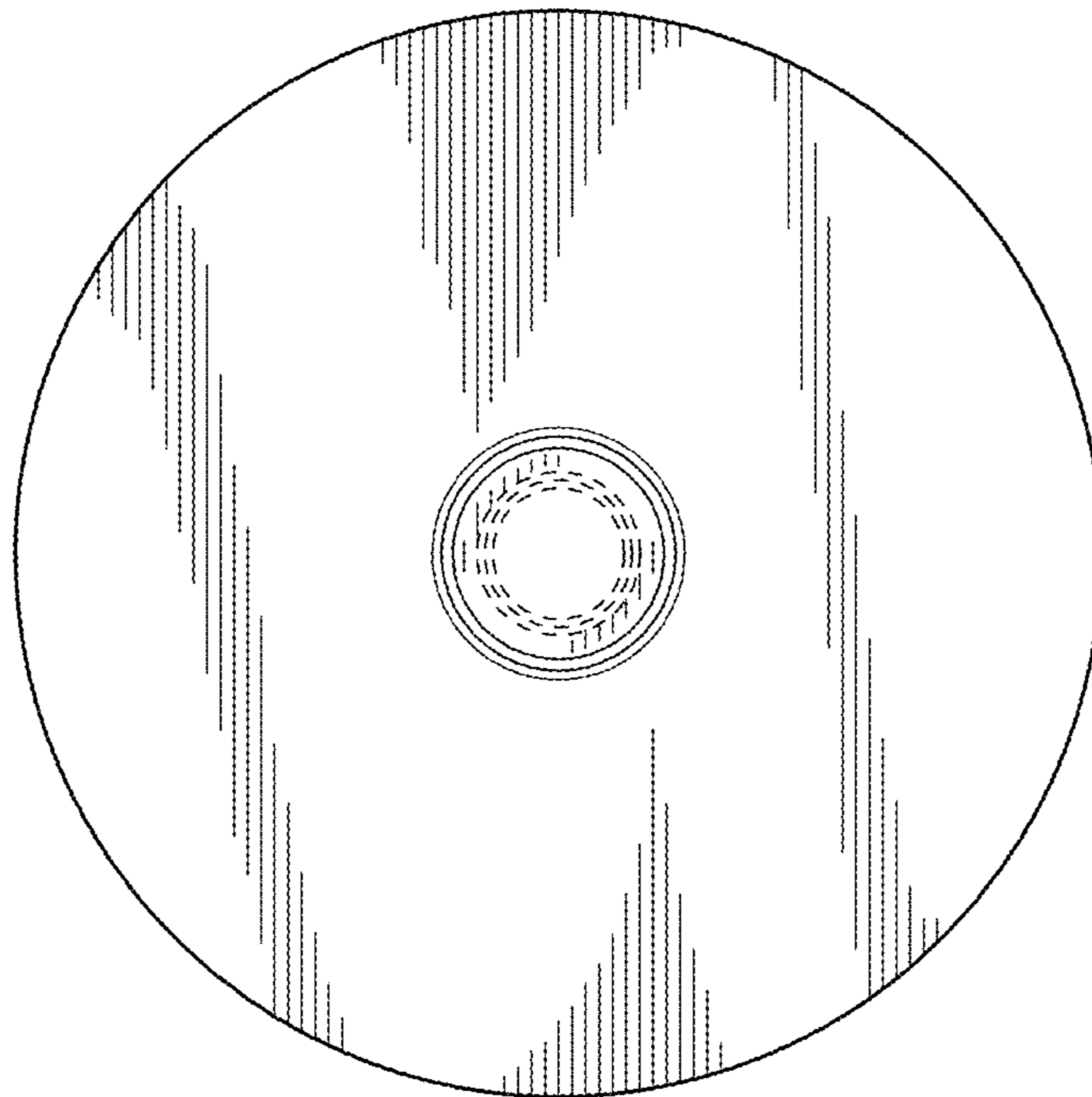


FIG. 5

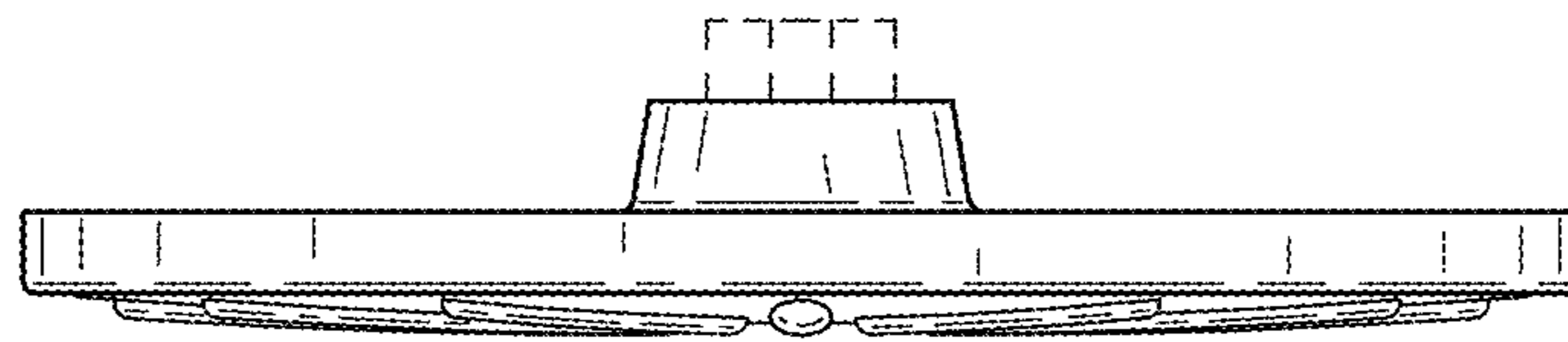


FIG. 6

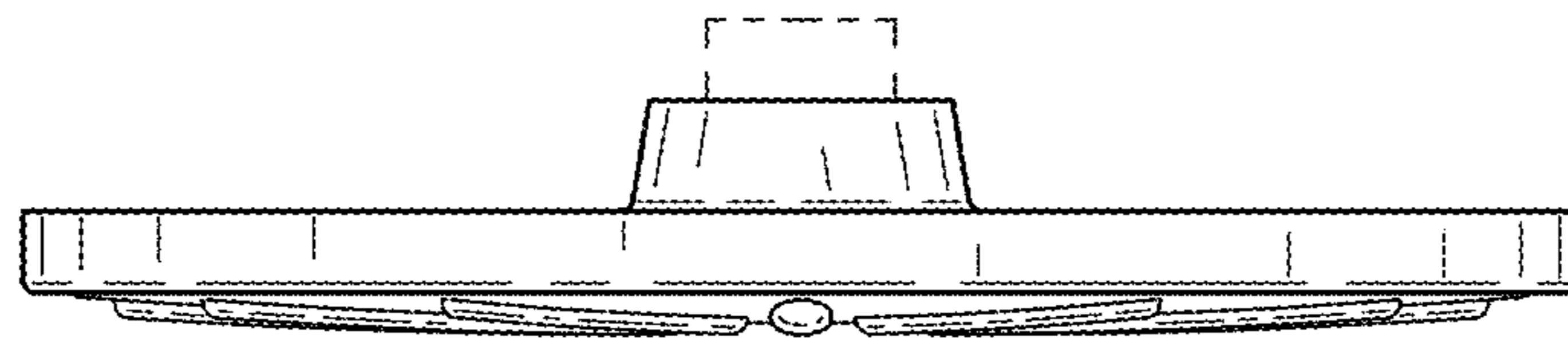


FIG. 7

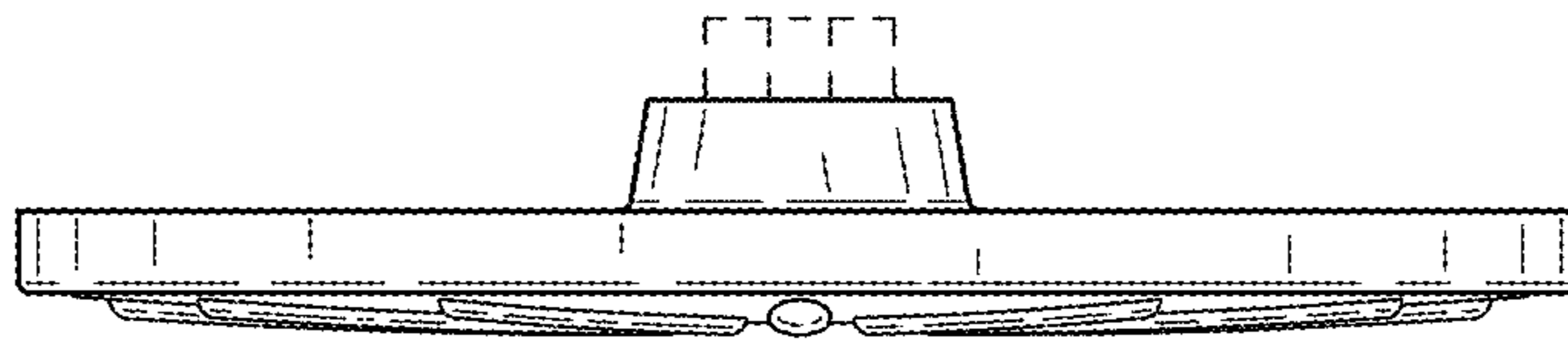


FIG. 8

