



US00D822154S

(12) **United States Design Patent** (10) **Patent No.:** **US D822,154 S**
Lee (45) **Date of Patent:** **** Jul. 3, 2018**

(54) **WATER PURIFIER**

(71) Applicant: **Eunchun Lee**, Seongnam-si (KR)

(72) Inventor: **Eunchun Lee**, Seongnam-si (KR)

(73) Assignee: **Eunchun Lee**, Seongnam-si (KR)

(*) Notice: This patent is subject to a terminal disclaimer.

(**) Term: **15 Years**

(21) Appl. No.: **29/582,589**

(22) Filed: **Oct. 28, 2016**

(51) **LOC (11) Cl.** **23-01**

(52) **U.S. Cl.**
USPC **D23/207; D7/306**

(58) **Field of Classification Search**
USPC D23/207-209; D7/306, 313; 202/81, 83
CPC C02F 1/42
See application file for complete search history.

(56) **References Cited**

U.S. PATENT DOCUMENTS

5,039,402 A *	8/1991	Himmelstein	A47J 31/605	210/121
D323,875 S *	2/1992	Kang	D23/209	
D340,967 S *	11/1993	Muir	D23/207	
D363,757 S *	10/1995	Hagstrand	D23/207	
D620,511 S *	7/2010	Publ	D15/199	
D638,513 S *	5/2011	Choi	D23/207	
D644,712 S *	9/2011	Seo	D23/207	

D669,154 S *	10/2012	Choi	D23/207
D683,421 S *	5/2013	Choi	D23/207
D717,911 S *	11/2014	Moon	D23/207
D759,194 S *	6/2016	Wei	D23/207
D764,014 S *	8/2016	Lin	D23/207
D787,249 S *	5/2017	Walton	D7/306
D787,250 S *	5/2017	Walton	D7/306
D790,898 S *	7/2017	Taubman	D7/305
D791,270 S *	7/2017	Wei	D23/207
D795,629 S *	8/2017	Ullman	D7/306

* cited by examiner

Primary Examiner — Robin V Webster

Assistant Examiner — James C Thorn, Sr.

(74) *Attorney, Agent, or Firm* — Cantor Colburn LLP

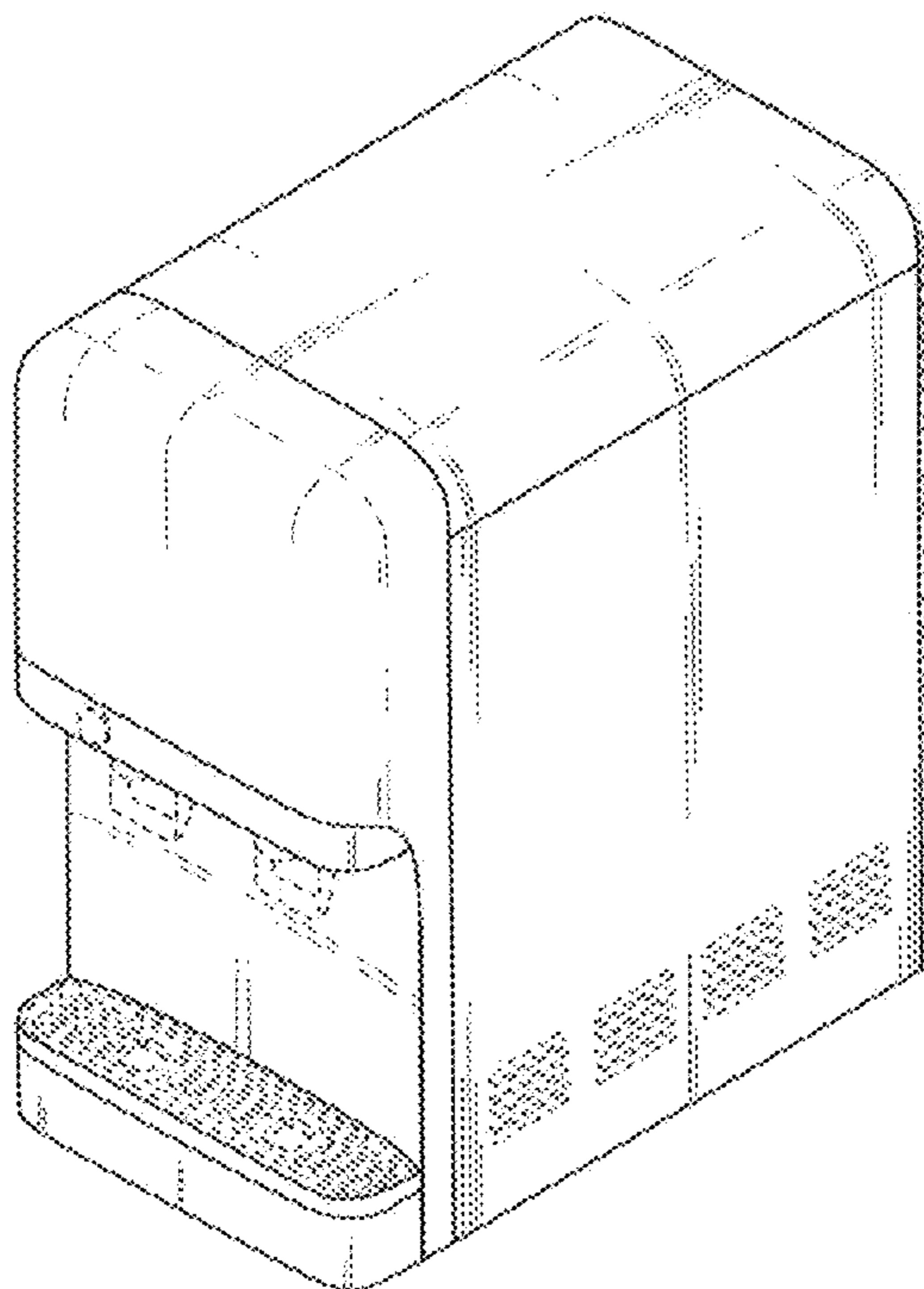
(57) **CLAIM**

The ornamental design for a water purifier, as shown and described.

DESCRIPTION

FIG. 1 is a perspective view from the front, top, and right side of the water purifier embodying my new design; FIG. 2 is a front elevational view thereof; FIG. 3 is a rear elevational view thereof; FIG. 4 is a left side elevational view thereof; FIG. 5 is a right side elevational view thereof; FIG. 6 is a top plan view thereof; and, FIG. 7 is a bottom plan view thereof. The broken lines in the drawings are by way of illustration only and form no part of the claimed design.

1 Claim, 4 Drawing Sheets



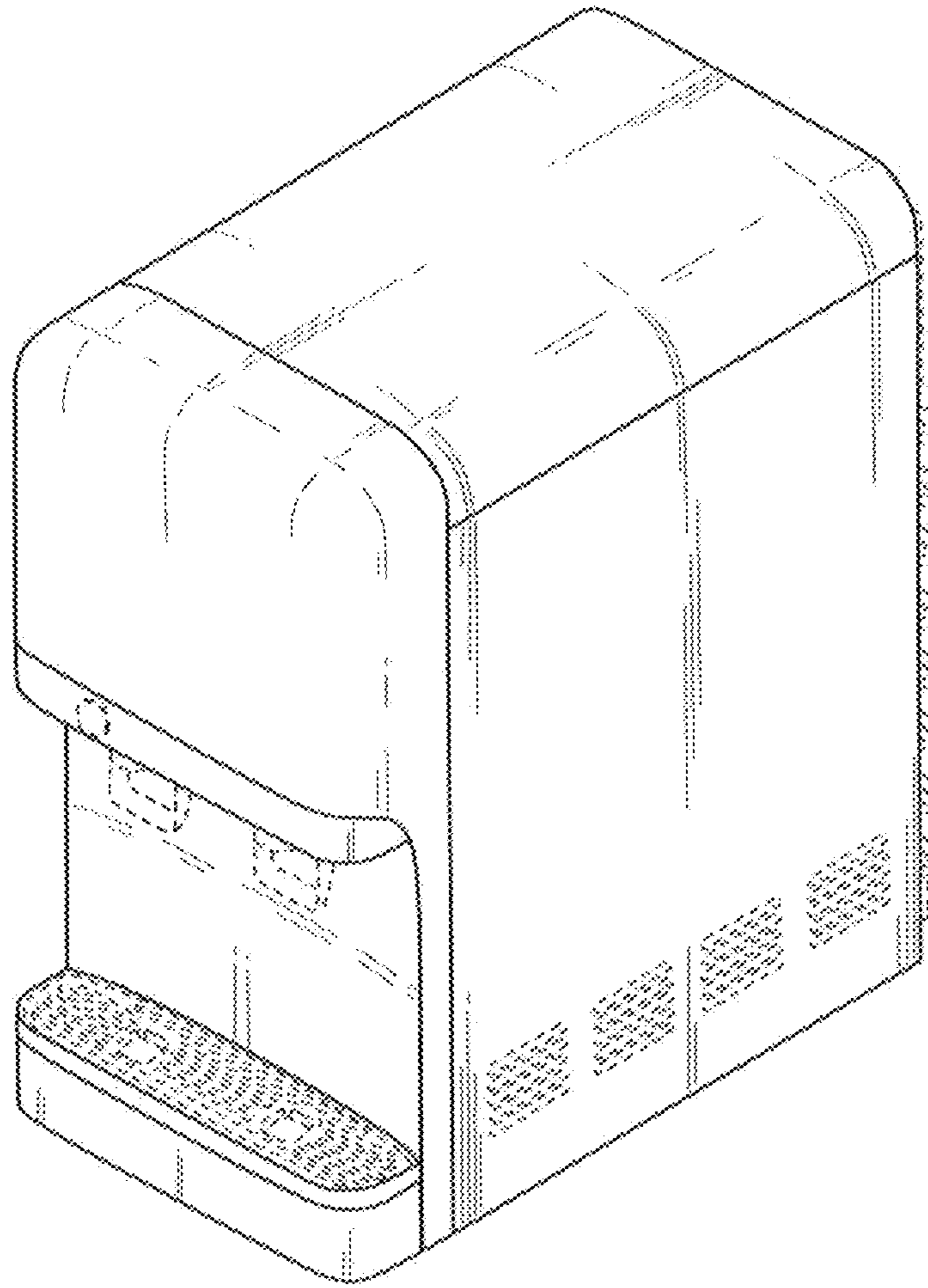


FIG. 1

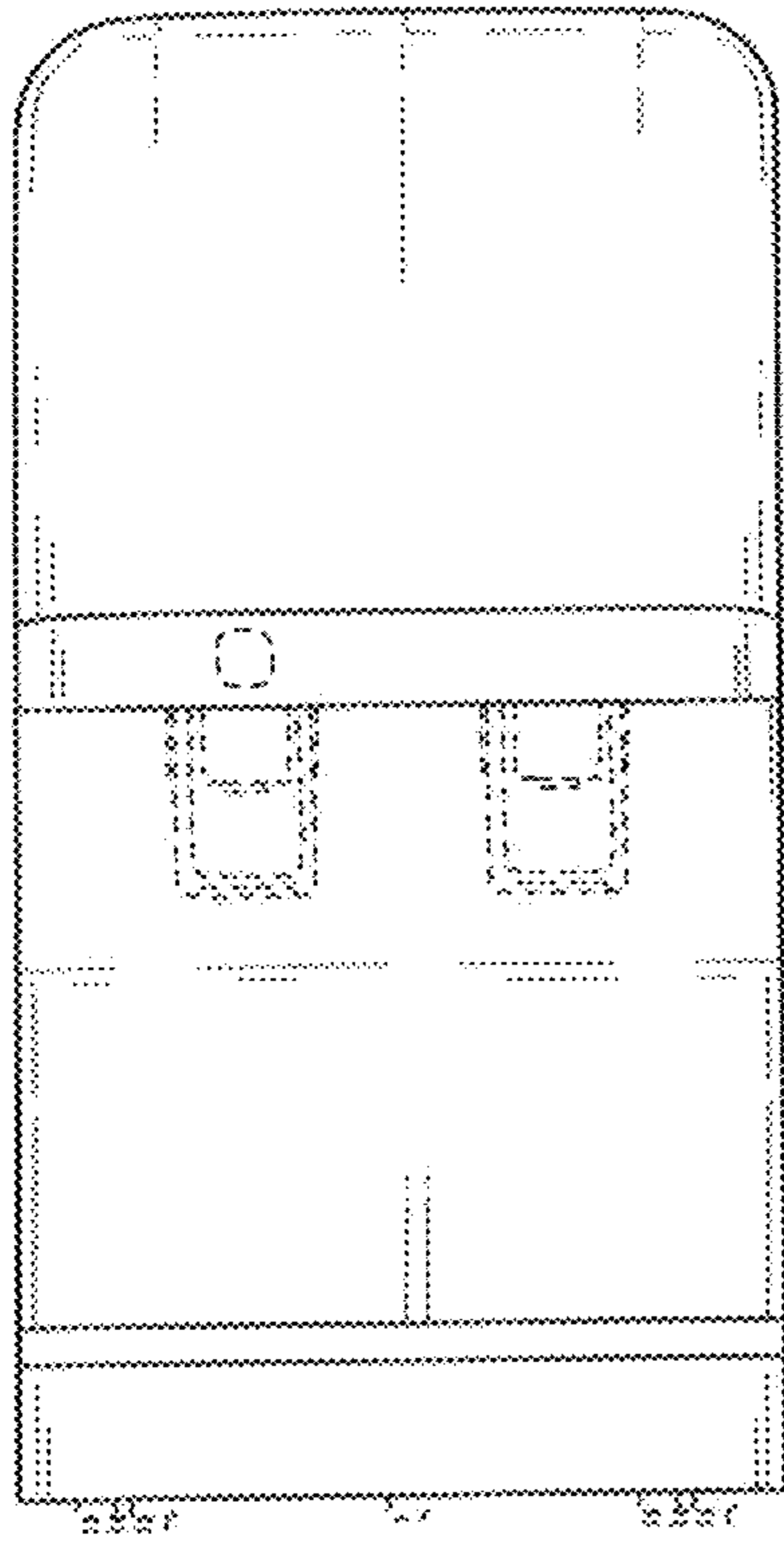


FIG. 2

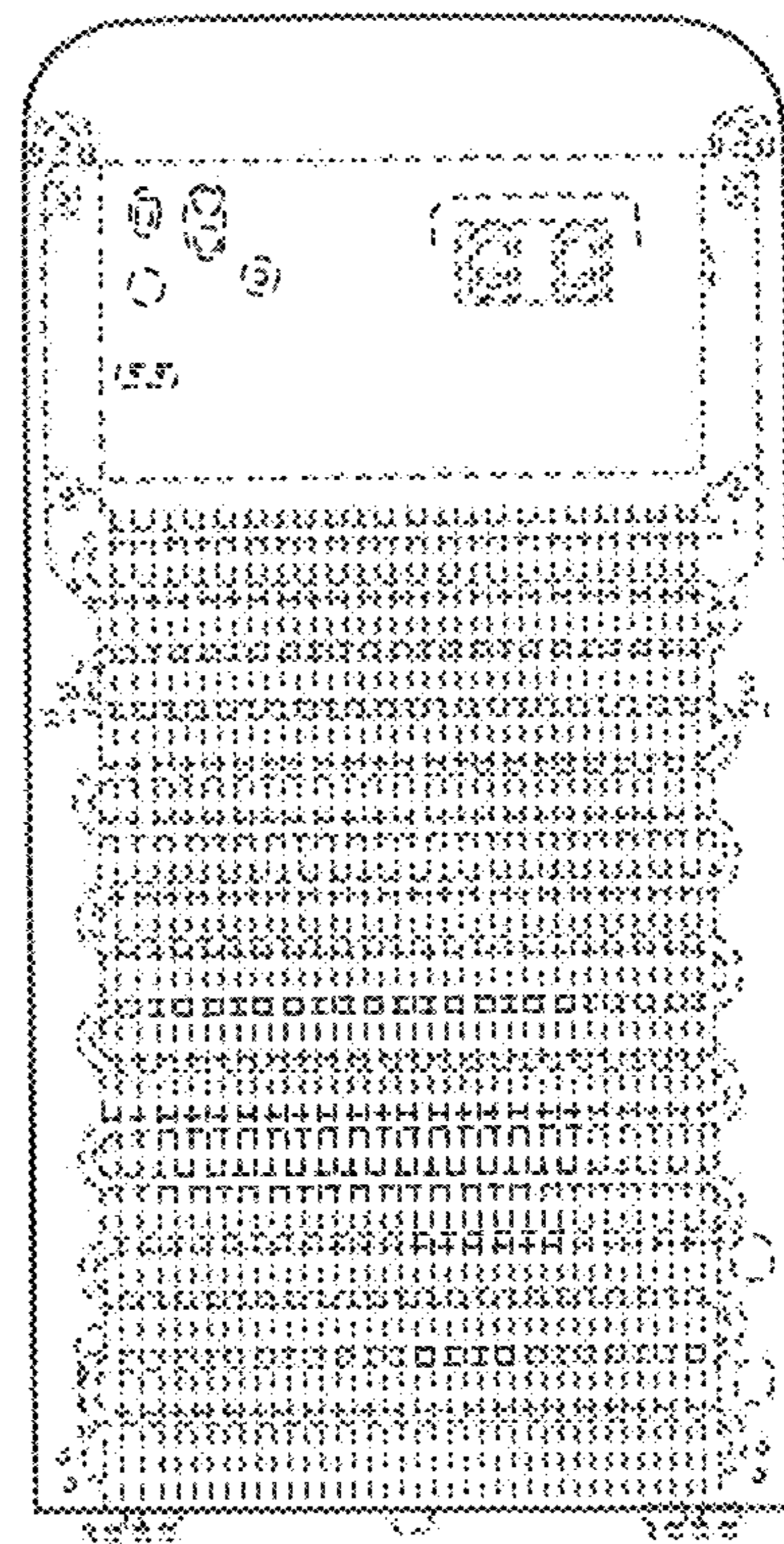


FIG. 3

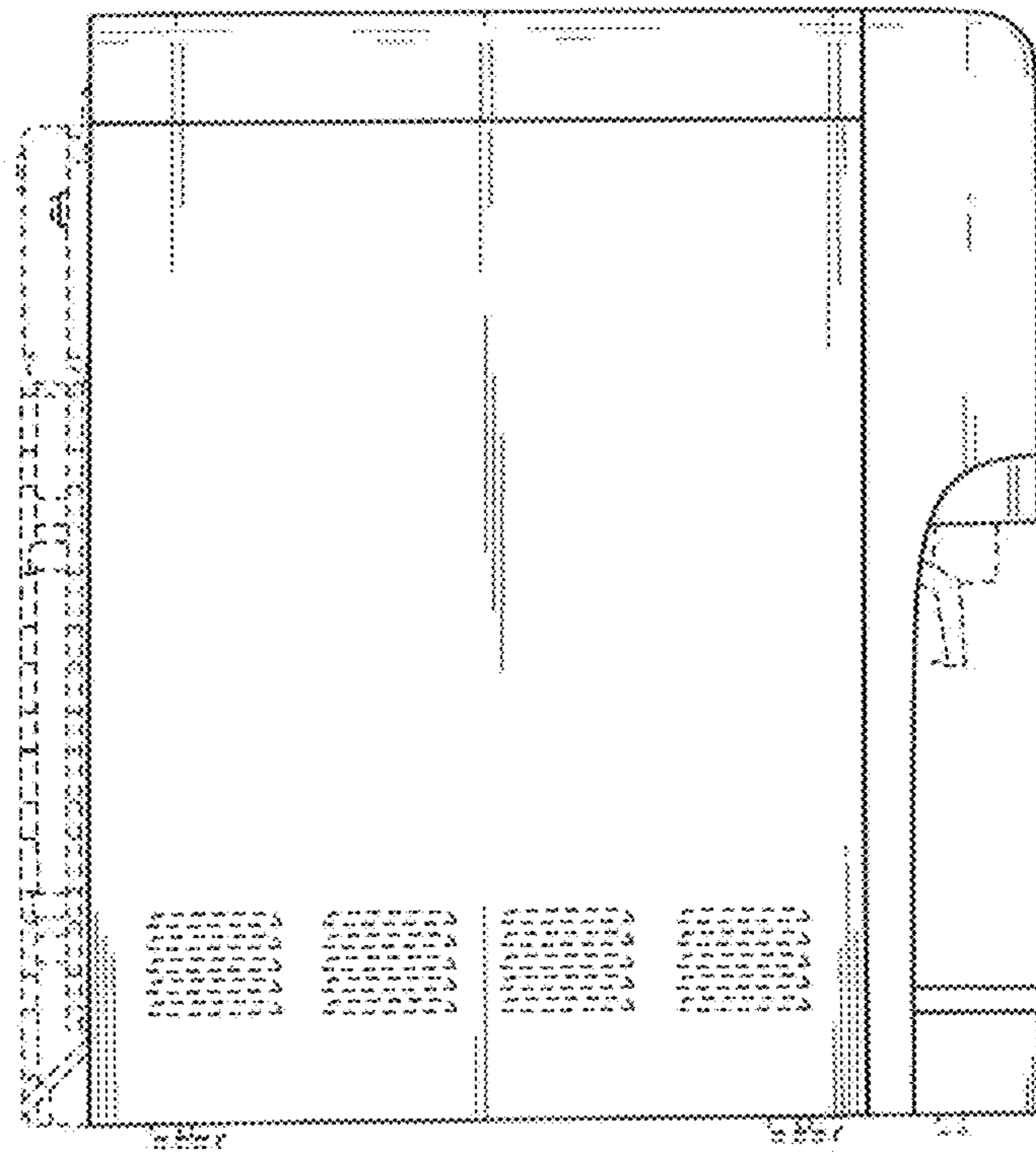


FIG. 4

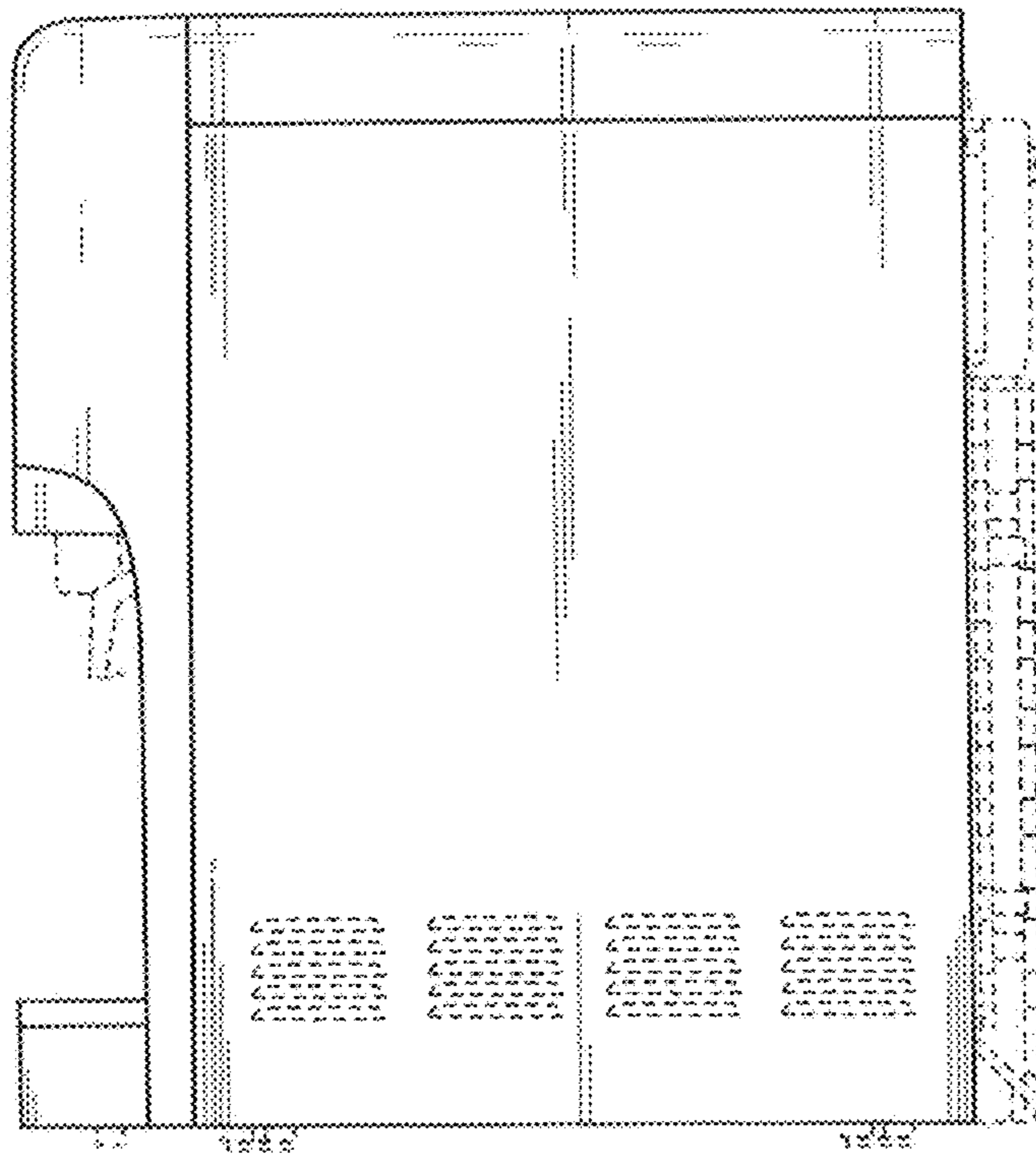


FIG. 5

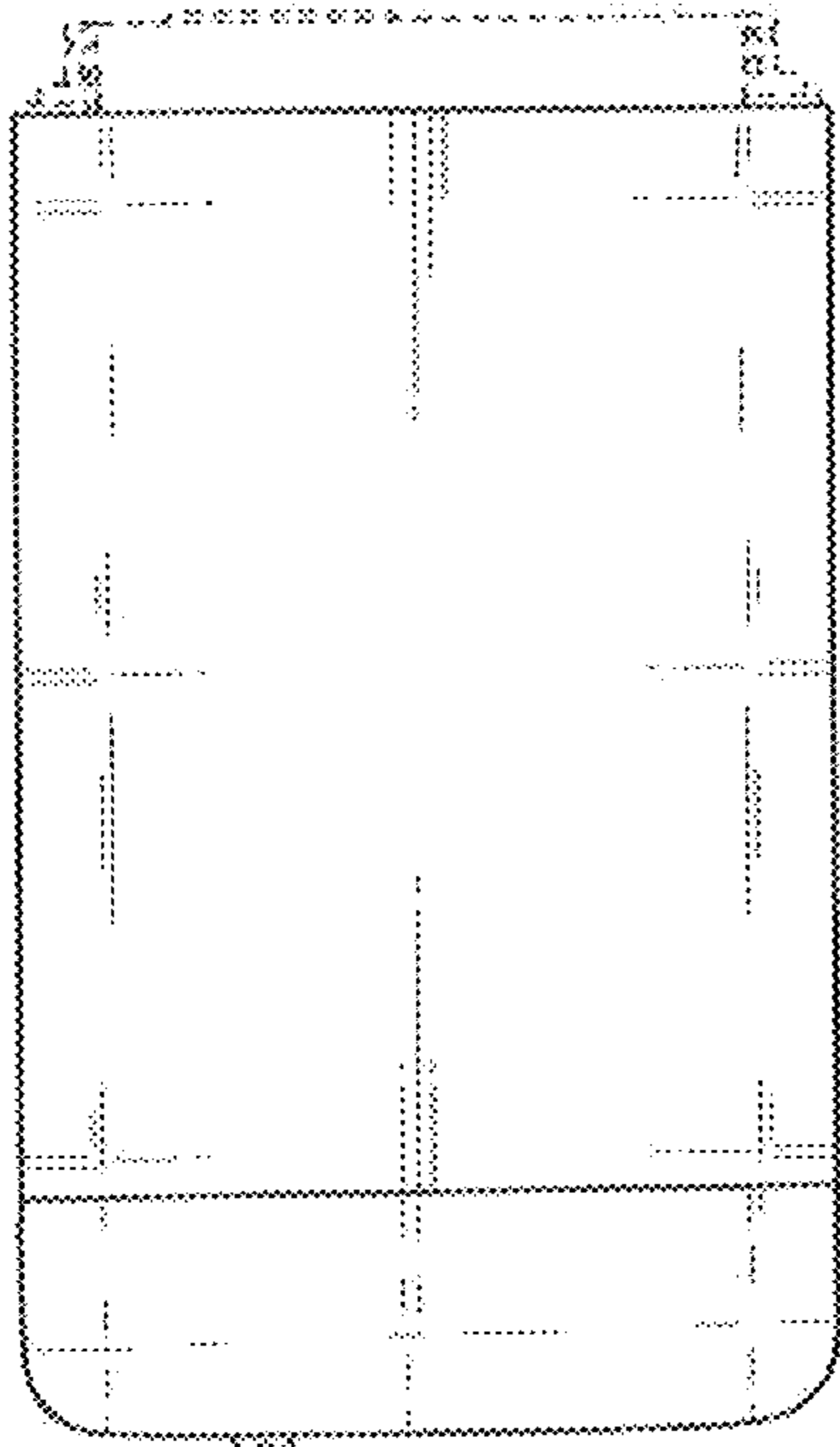


FIG. 6

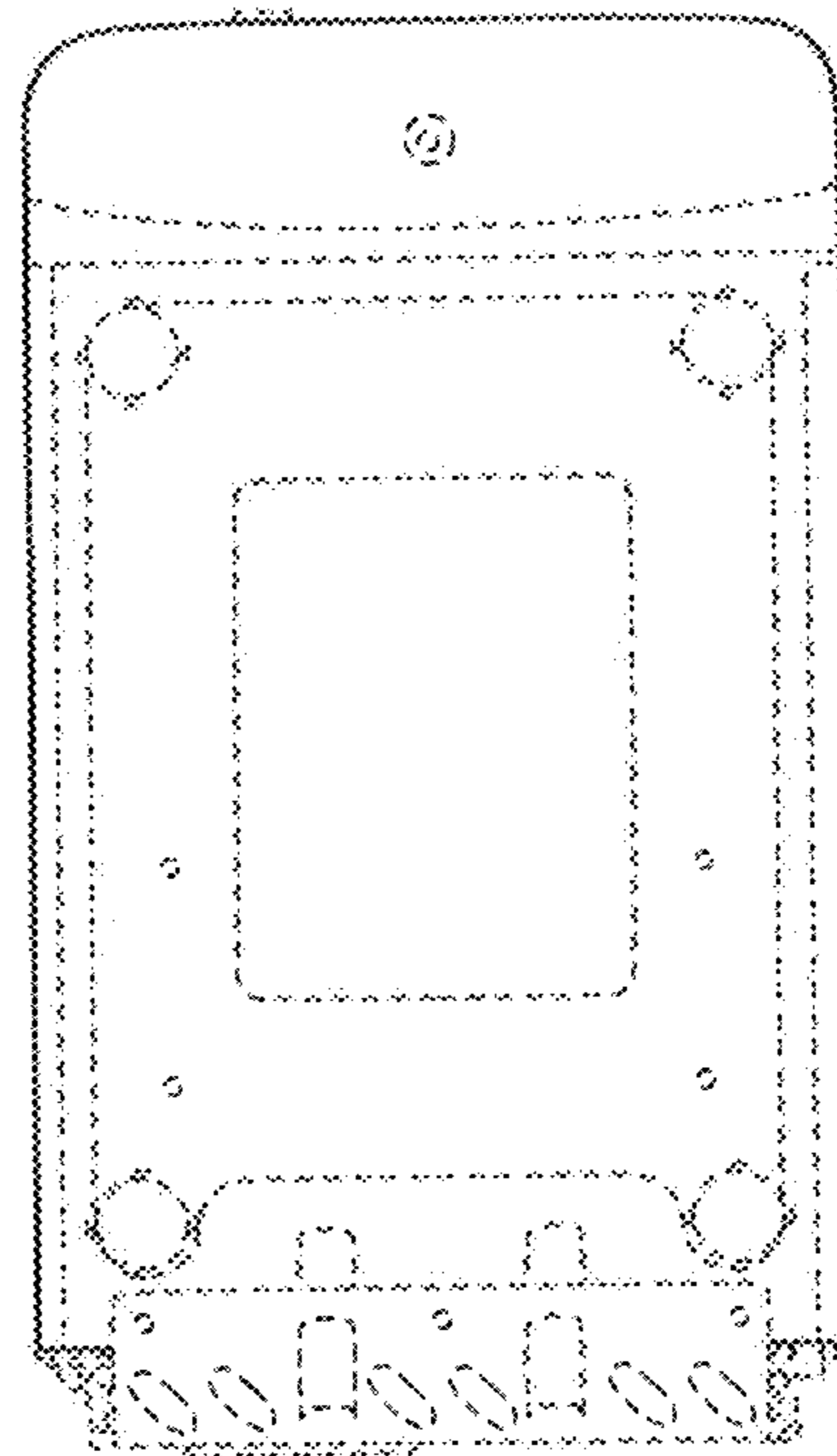


FIG. 7