



US00D822148S

(12) **United States Design Patent**  
**DeBerry et al.**

(10) **Patent No.:** **US D822,148 S**  
(45) **Date of Patent:** **\*\* Jul. 3, 2018**

(54) **OUTRIGGER**  
(71) Applicants: **Glenn C. DeBerry**, New London, NC (US); **Charles Kermit DeBerry**, New London, NC (US)  
(72) Inventors: **Glenn C. DeBerry**, New London, NC (US); **Charles Kermit DeBerry**, New London, NC (US)  
(73) Assignees: **Glenn C. DeBerry**, New London, NC (US); **Charles K. DeBerry**, New London, NC (US)  
(\*\*) Term: **15 Years**

6,053,122 A \* 4/2000 Jordan, III ..... A01K 91/08 43/21.2  
7,296,377 B2 \* 11/2007 Wilcox ..... A01K 91/08 43/21.2  
D564,062 S \* 3/2008 Carnevali ..... D22/147  
D591,385 S \* 4/2009 Baltes ..... D22/147  
7,669,361 B2 \* 3/2010 Baez ..... A01K 91/08 43/21.2  
D736,068 S \* 8/2015 Taylor ..... D8/355  
D783,769 S \* 4/2017 Vela ..... D22/147

\* cited by examiner

*Primary Examiner* — Catherine R Oliver-Garcia  
(74) *Attorney, Agent, or Firm* — Shumaker, Loop & Kendrick, LLP

(21) Appl. No.: **29/597,852**  
(22) Filed: **Mar. 21, 2017**  
(51) **LOC (11) Cl.** ..... **22-05**  
(52) **U.S. Cl.**  
USPC ..... **D22/147**  
(58) **Field of Classification Search**  
USPC ..... D22/147; 43/21.2, 22, 27.4; D8/355, D8/499; 248/514-515, 534, 538, 541  
CPC ..... A01K 87/06; A01K 91/08; A01K 97/10; A47B 97/00; A47F 5/00; A47G 29/00; A47G 29/08  
See application file for complete search history.

(57) **CLAIM**

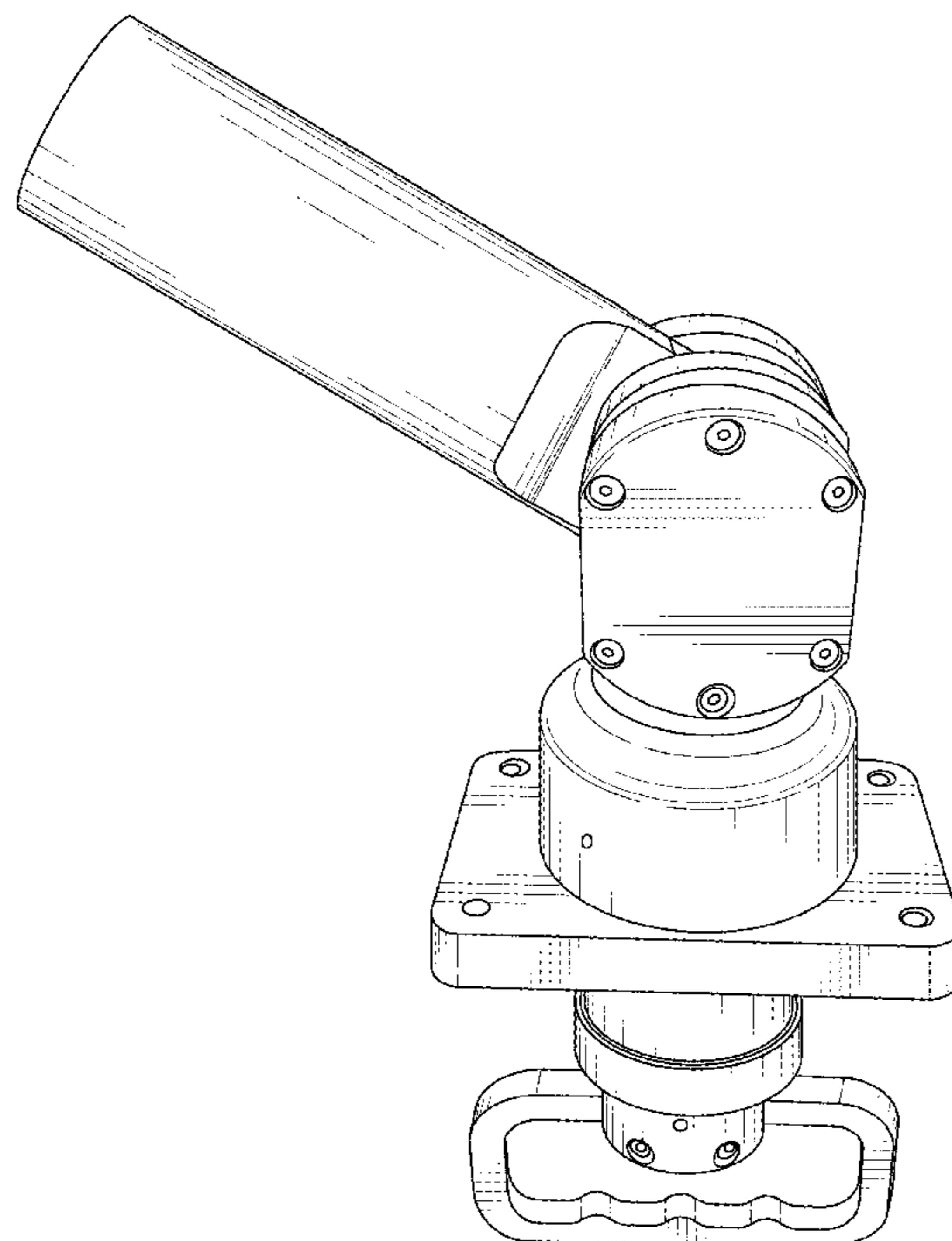
The ornamental design for an outrigger, as shown and described.

**DESCRIPTION**

FIG. 1 is a perspective view of the new design for an outrigger;  
FIG. 2 is a right side view thereof;  
FIG. 3 is a left side view thereof;  
FIG. 4 is a front view thereof;  
FIG. 5 is a back view thereof;  
FIG. 6 is a top view thereof; and,  
FIG. 7 is a bottom view thereof.

(56) **References Cited**  
U.S. PATENT DOCUMENTS  
D201,694 S \* 7/1965 Spindler ..... D22/147  
D377,387 S \* 1/1997 Mathewson ..... D22/147

**1 Claim, 6 Drawing Sheets**



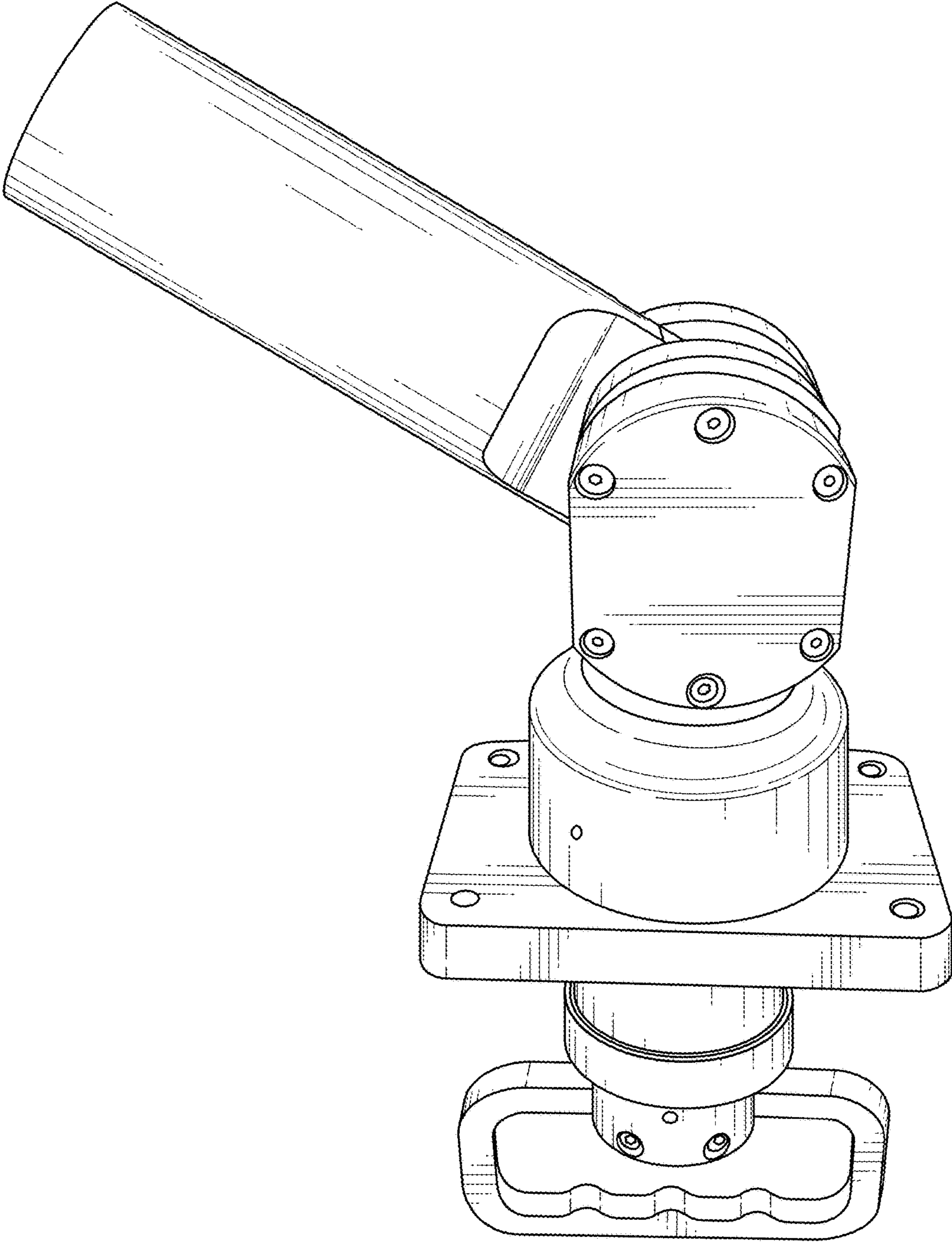


FIG. 1

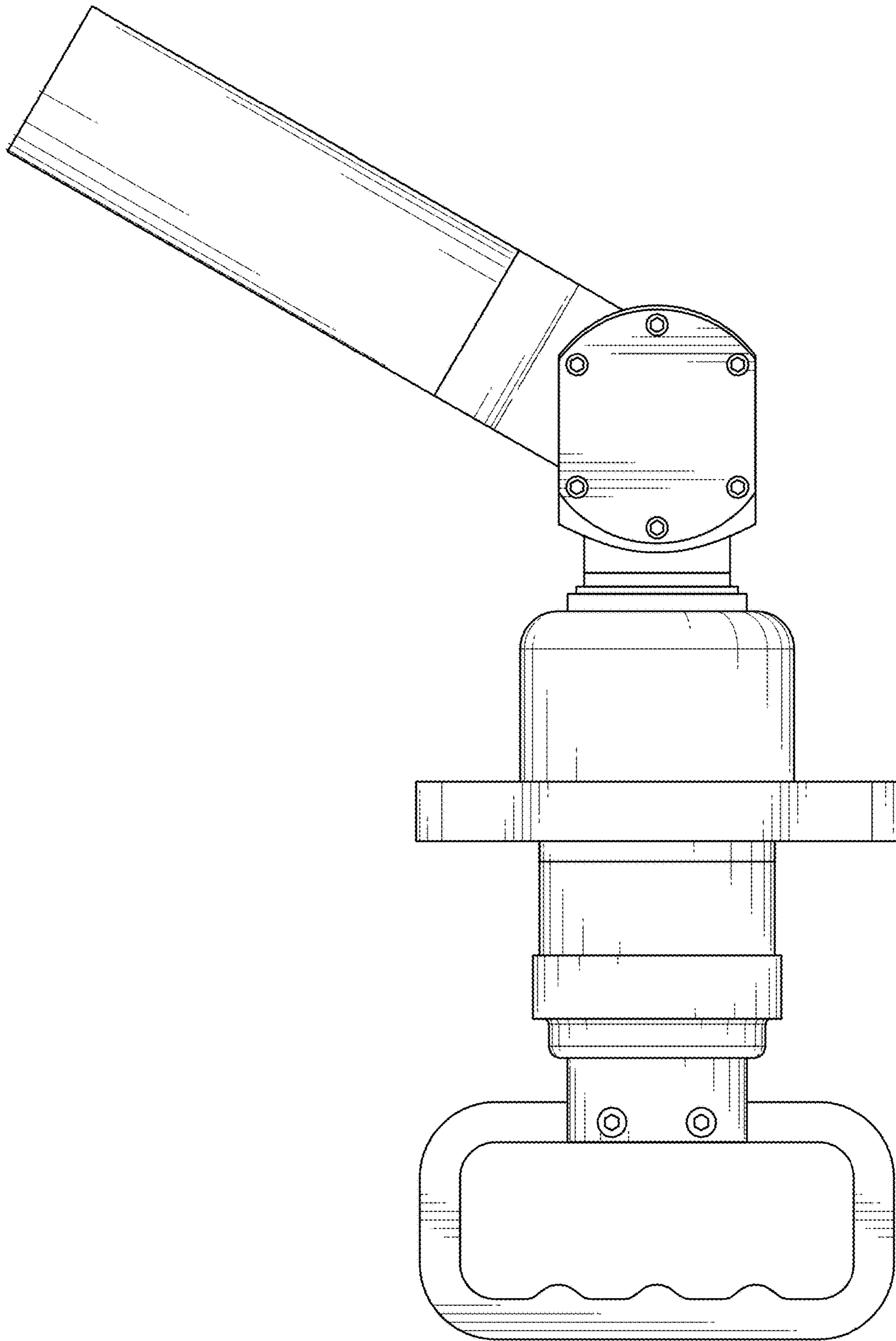


FIG. 2

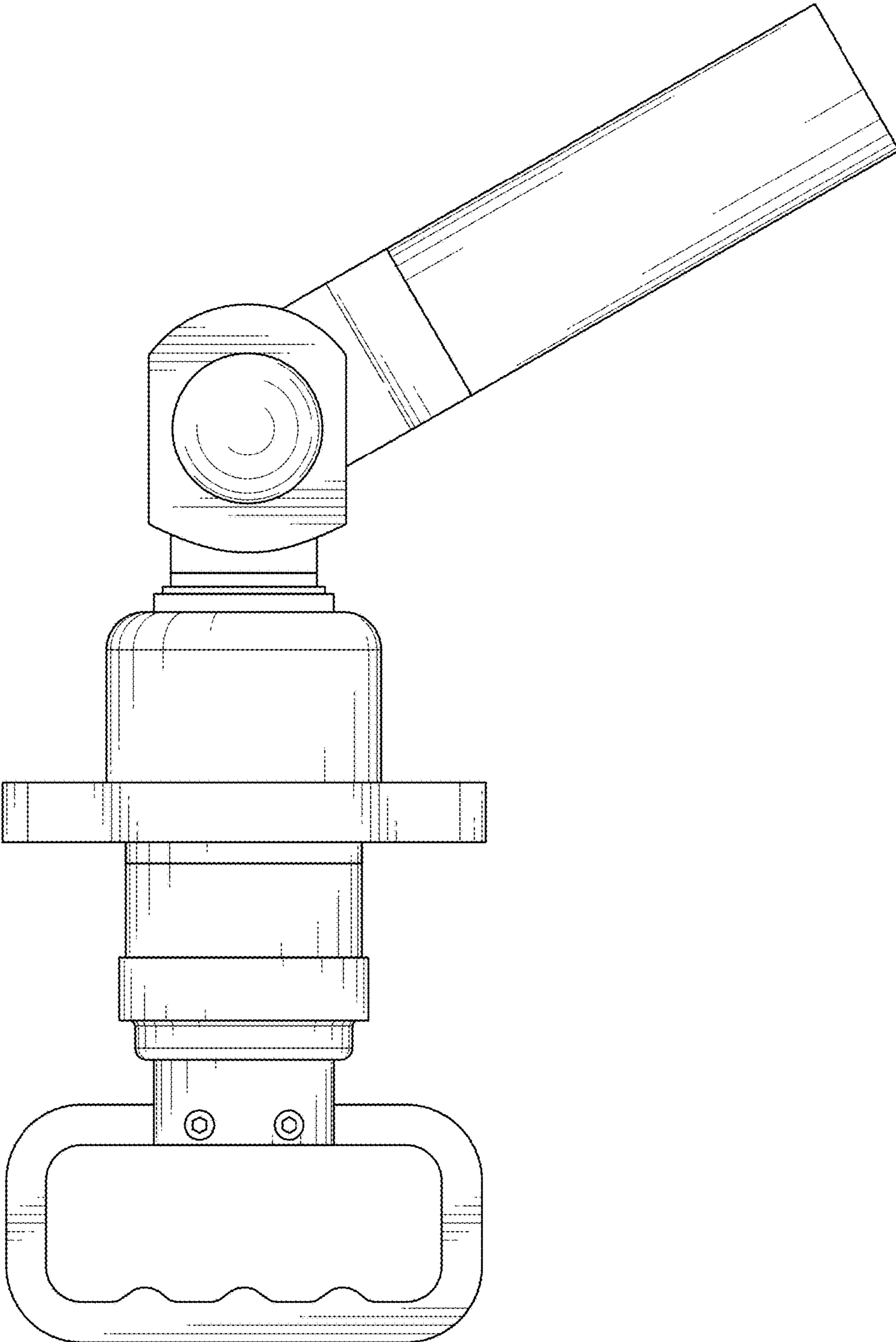


FIG. 3

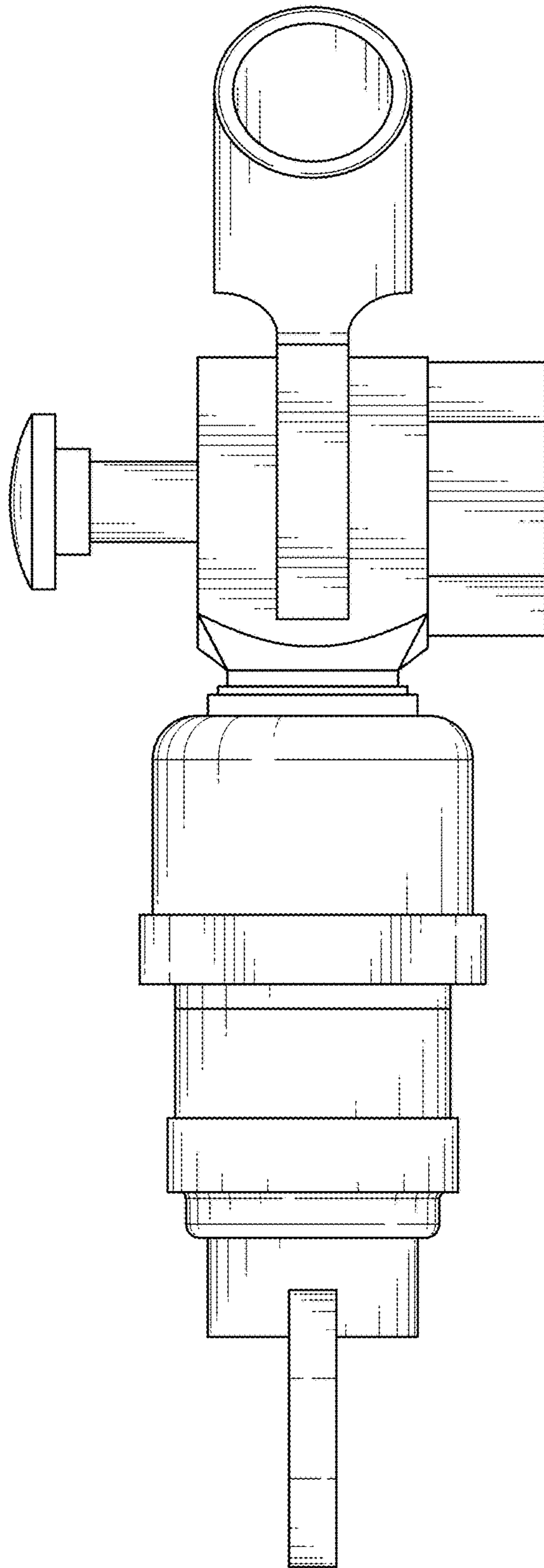


FIG. 4



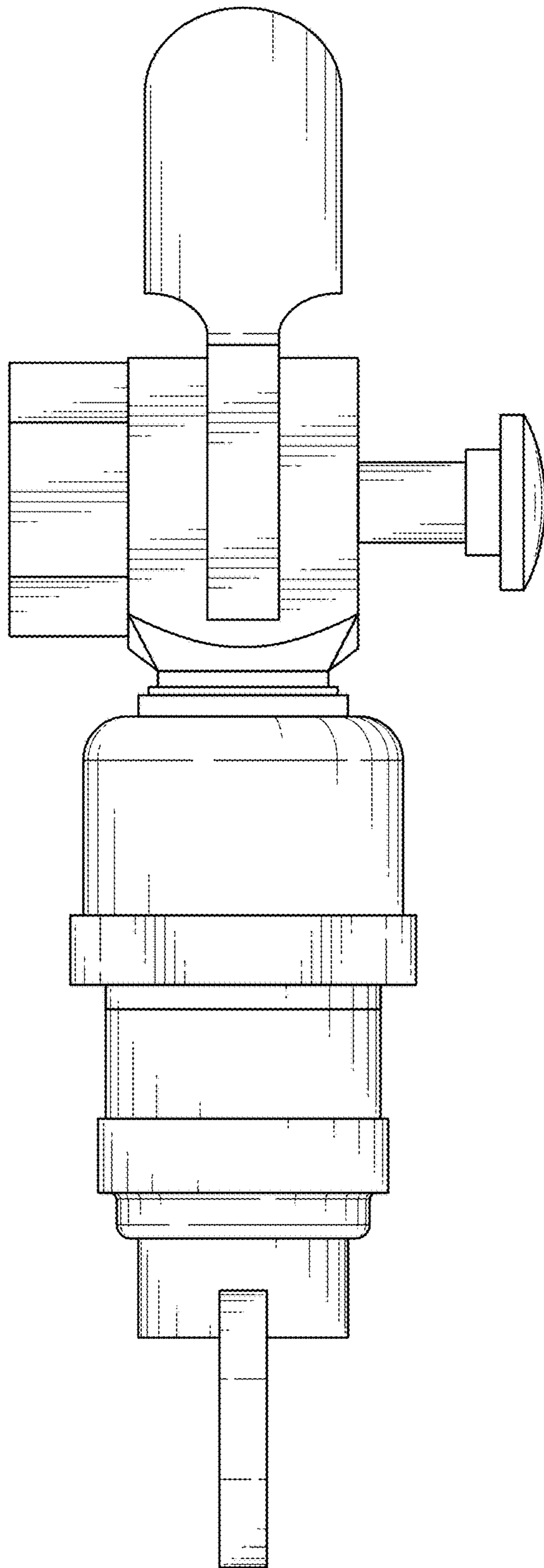


FIG. 5

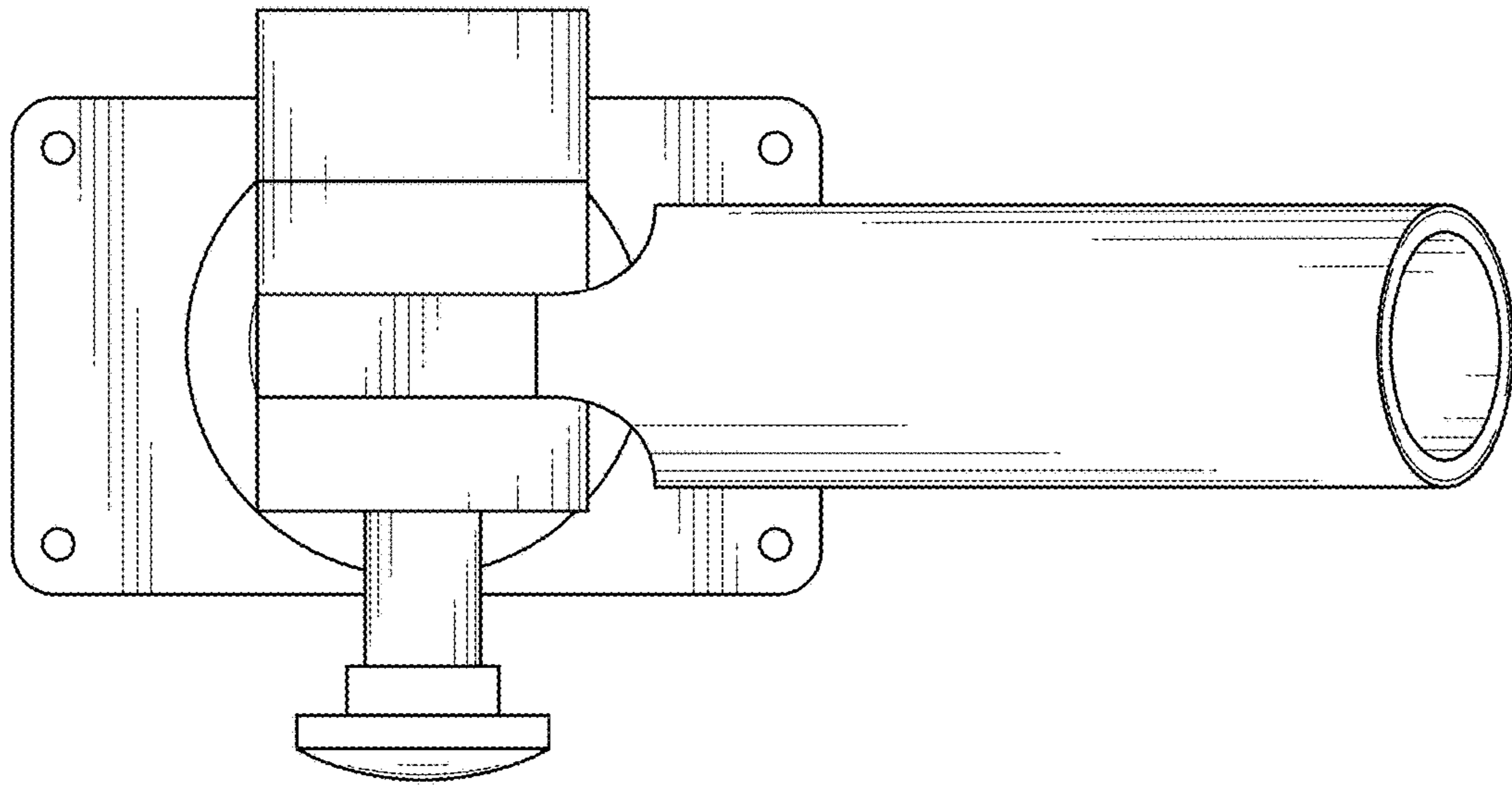


FIG. 6

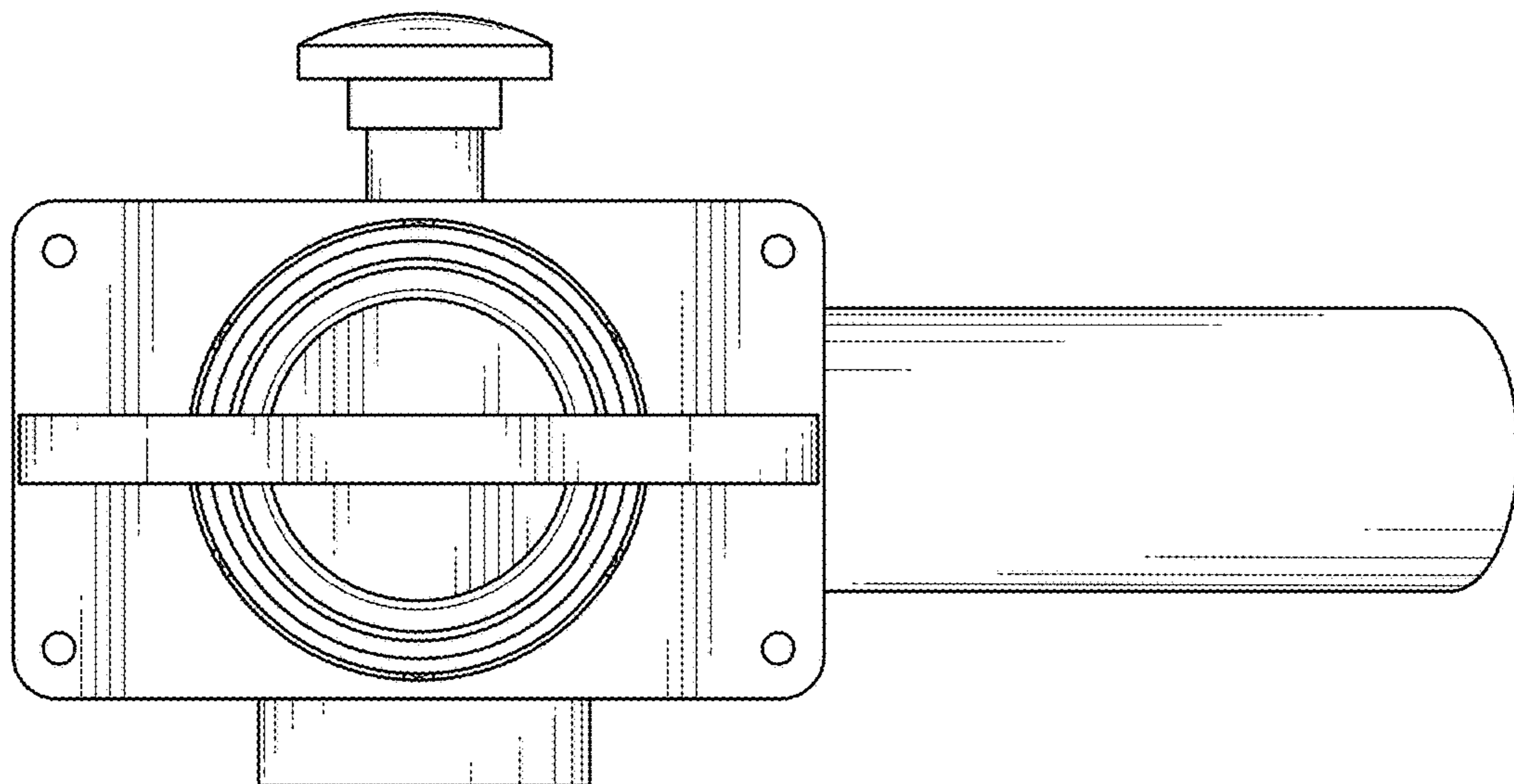


FIG. 7