



US00D822143S

(12) **United States Design Patent**
Aldredge et al.

(10) **Patent No.:** **US D822,143 S**
(45) **Date of Patent:** **** Jul. 3, 2018**

(54) **MOUNT FOR A QUICK-DETACH OPTICS AND ACCESSORY MOUNTING SYSTEM FOR FIREARMS**

(71) Applicant: **B.E. Meyers & Co., Inc.**, Redmond, WA (US)

(72) Inventors: **Thomas Aldredge**, Redmond, WA (US); **Alexander Bigby**, Redmond, WA (US)

(73) Assignee: **B.E. MEYERS & CO., INC.**, Redmond, WA (US)

(**) Term: **15 Years**

(21) Appl. No.: **29/591,286**

(22) Filed: **Jan. 18, 2017**

(51) **LOC (11) Cl.** **22-01**

(52) **U.S. Cl.**
USPC **D22/109**

(58) **Field of Classification Search**
USPC D22/100, 101, 102, 103, 104, 105, 106, D22/107, 108, 109, 110, 111
CPC F41B 5/14; F41B 5/00; F41C 27/00; F41C 23/14; F41C 23/06; F41C 3/00; F41C 7/00; F41C 23/20; F41C 23/08; F41C 23/10; F41G 11/003; F41G 1/18; F41G 1/38; F41G 1/545
See application file for complete search history.

(56) **References Cited**

U.S. PATENT DOCUMENTS

D318,313 S *	7/1991	Bechtel	D22/110
D322,834 S *	12/1991	Lawlor	D22/110
D410,061 S *	5/1999	Emerson	D22/100
D435,885 S *	1/2001	Wallace	D22/100
6,886,288 B1 *	5/2005	Yocum	F41G 11/003 42/124
D543,605 S *	5/2007	Cheng	D22/110

7,647,720 B1 *	1/2010	Vendetti	F41G 1/28 42/126
D630,698 S *	1/2011	Peterson	D22/103
D732,628 S *	6/2015	Cheng	D22/108
D752,169 S *	3/2016	Merlino	D22/108
D791,902 S *	7/2017	Merlino	D22/108
D795,378 S *	8/2017	Huang	D22/108
D802,077 S *	11/2017	Geissele	D22/109

(Continued)

OTHER PUBLICATIONS

<https://www.amazon.com/Canted-Tapered-Picatinny-Forward-Cantilever/dp/B01CKIZ7CA>—Retrieved Feb. 13, 2018.*

(Continued)

Primary Examiner — Manpreet S Matharu

Assistant Examiner — Mojtaba Tehrani

(74) *Attorney, Agent, or Firm* — K&L Gates LLP

(57) **CLAIM**

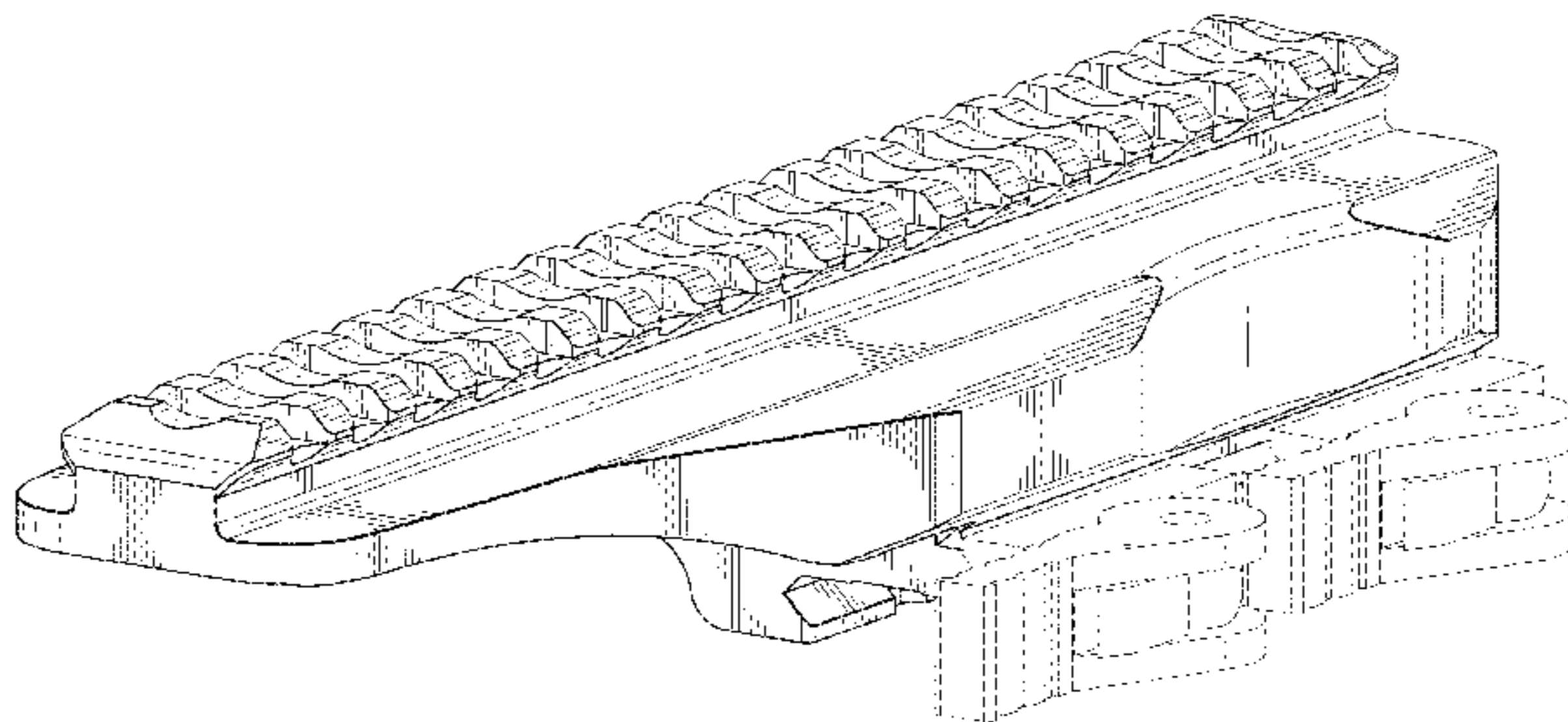
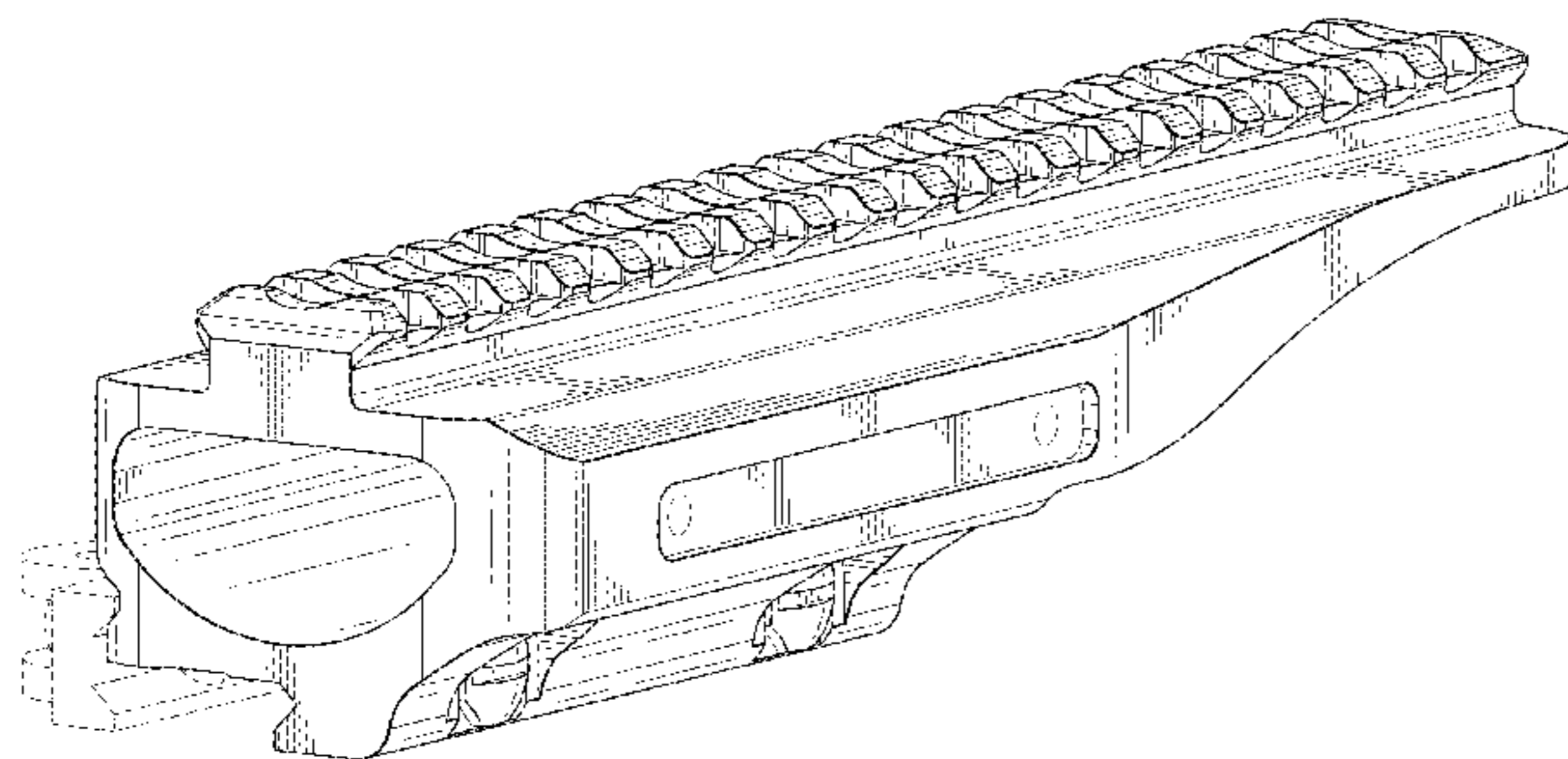
The ornamental design for a mount for a quick-detach optics & accessory mounting system for firearms, as shown and described.

DESCRIPTION

FIG. 1 is a front perspective view of a mount for a quick-detach optics & accessory mounting system for firearms, showing our new design;
FIG. 2 is a front view thereof;
FIG. 3 is a rear view thereof;
FIG. 4 is a left side view thereof;
FIG. 5 is a right side view thereof;
FIG. 6 is a top view thereof;
FIG. 7 is a bottom view thereof; and,
FIG. 8 is a rear perspective view thereof.

The broken line in the figure drawings represents unclaimed portion of the design only and forms no part of the claim. The portions including surface shading represent contour and not surface ornamentation.

1 Claim, 6 Drawing Sheets



(56)

References Cited

U.S. PATENT DOCUMENTS

2013/0118051 A1* 5/2013 Baker F41G 11/003
42/90
2015/0198397 A1* 7/2015 Motley F41A 3/66
42/90
2017/0023333 A1* 1/2017 Faifer F41G 11/003

OTHER PUBLICATIONS

<https://www.amazon.com/Tactical-Offset-Weaver-Picatinny-Flat-top/dp/B0772H6RWV>—Retrieved Feb. 13, 2018.*

* cited by examiner

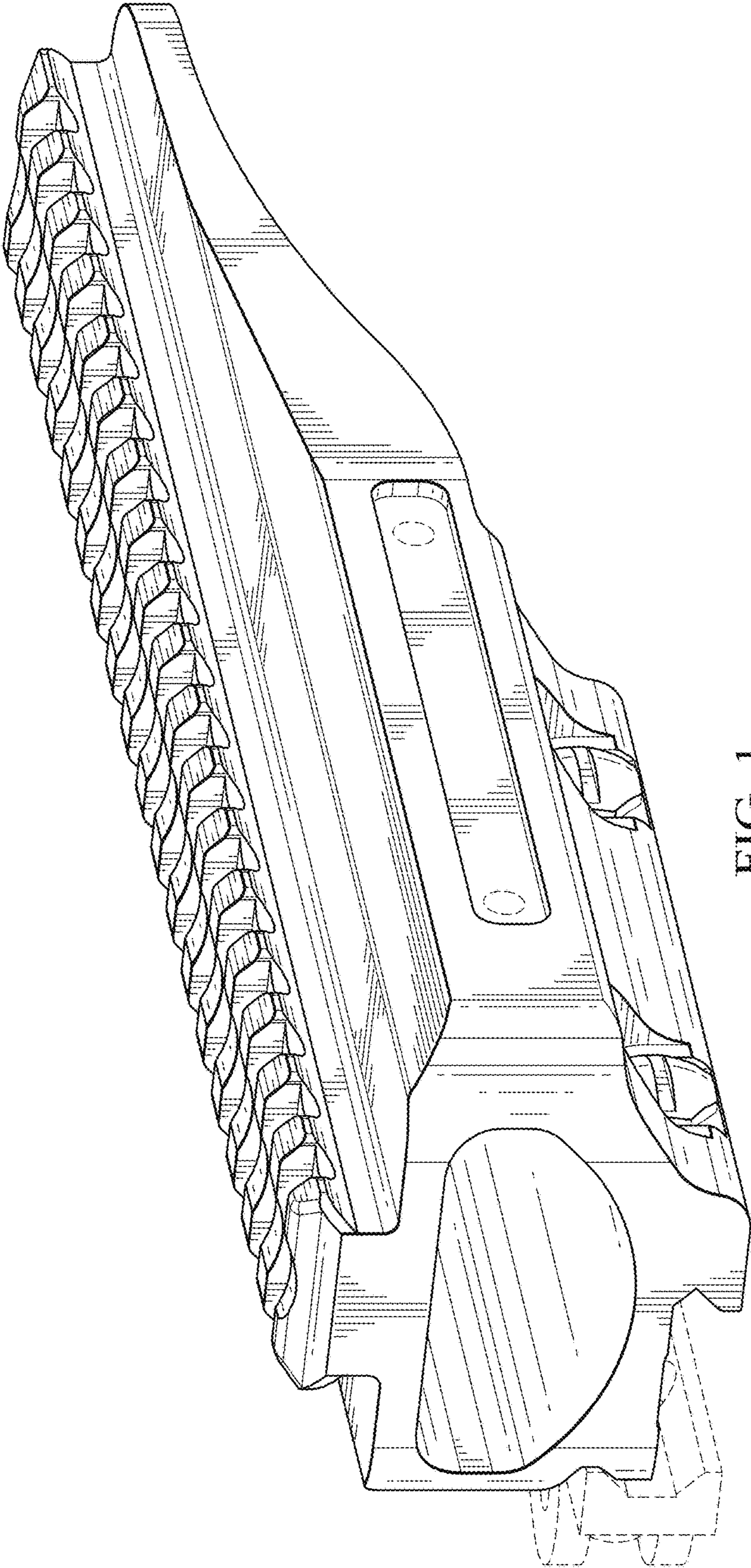


FIG. 1

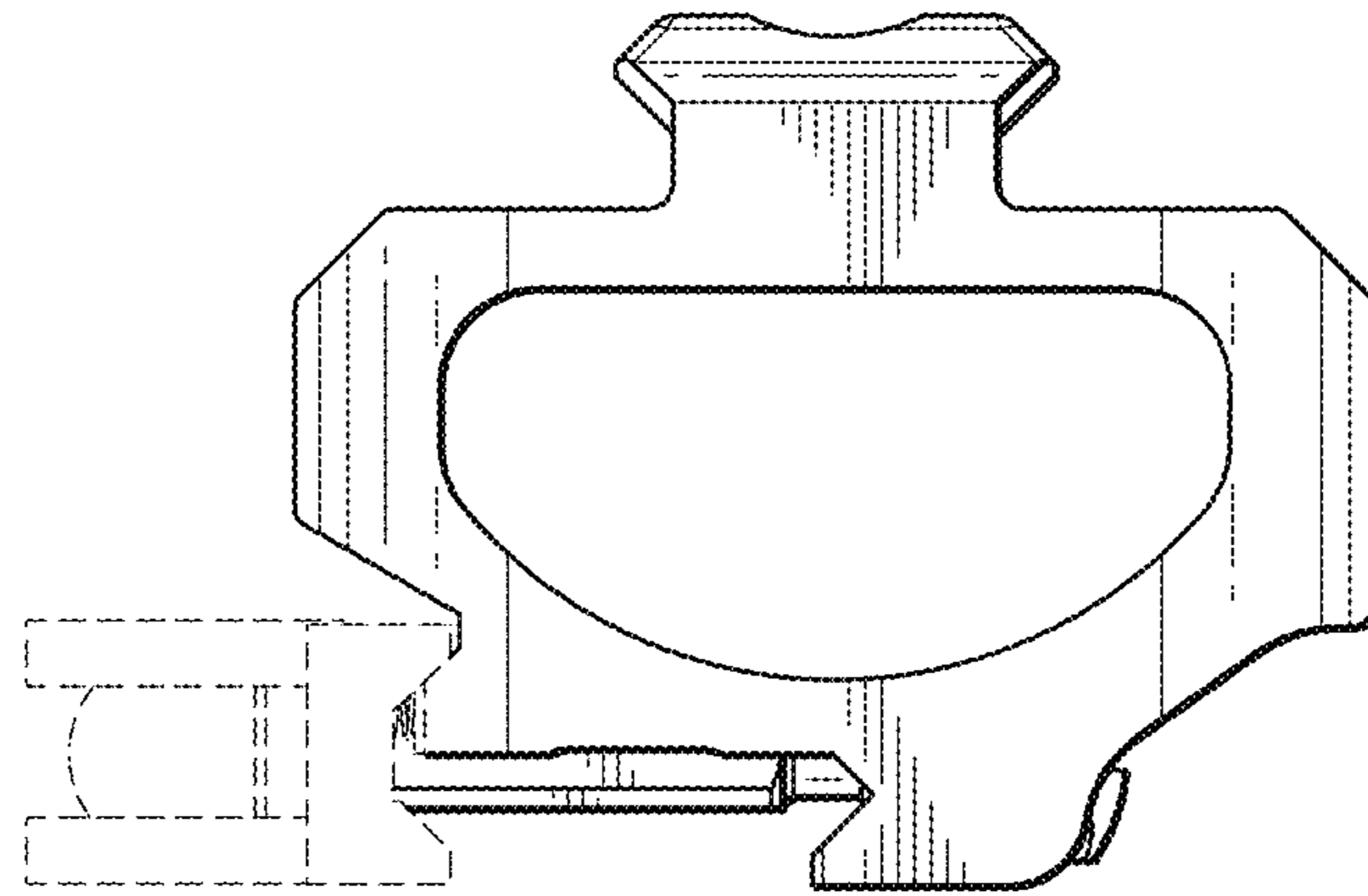


FIG. 2

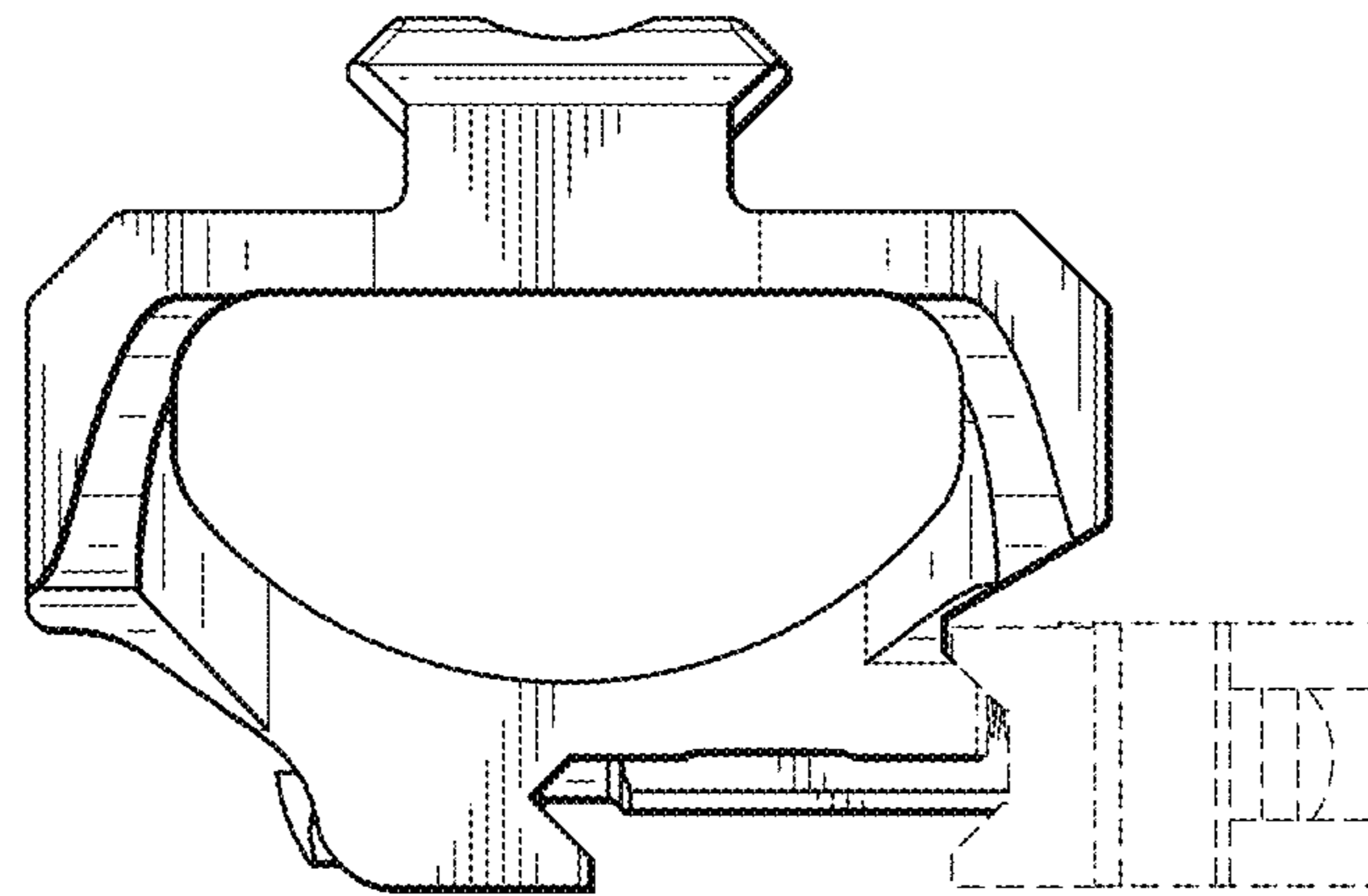


FIG. 3

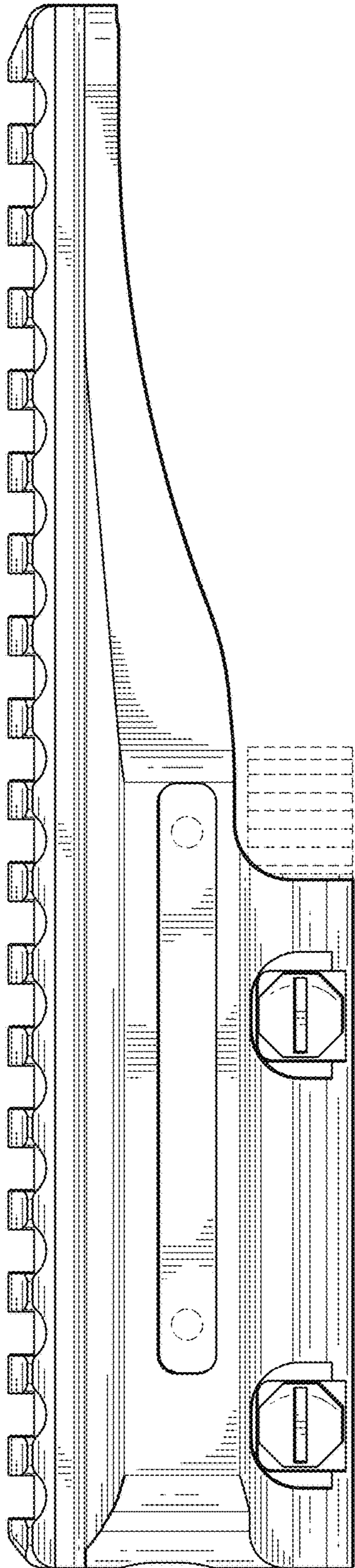


FIG. 4

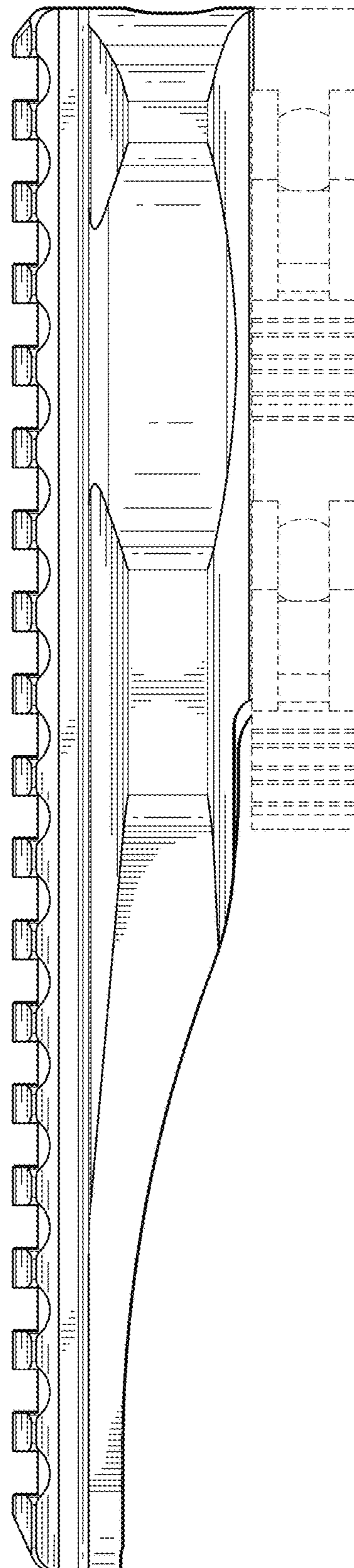
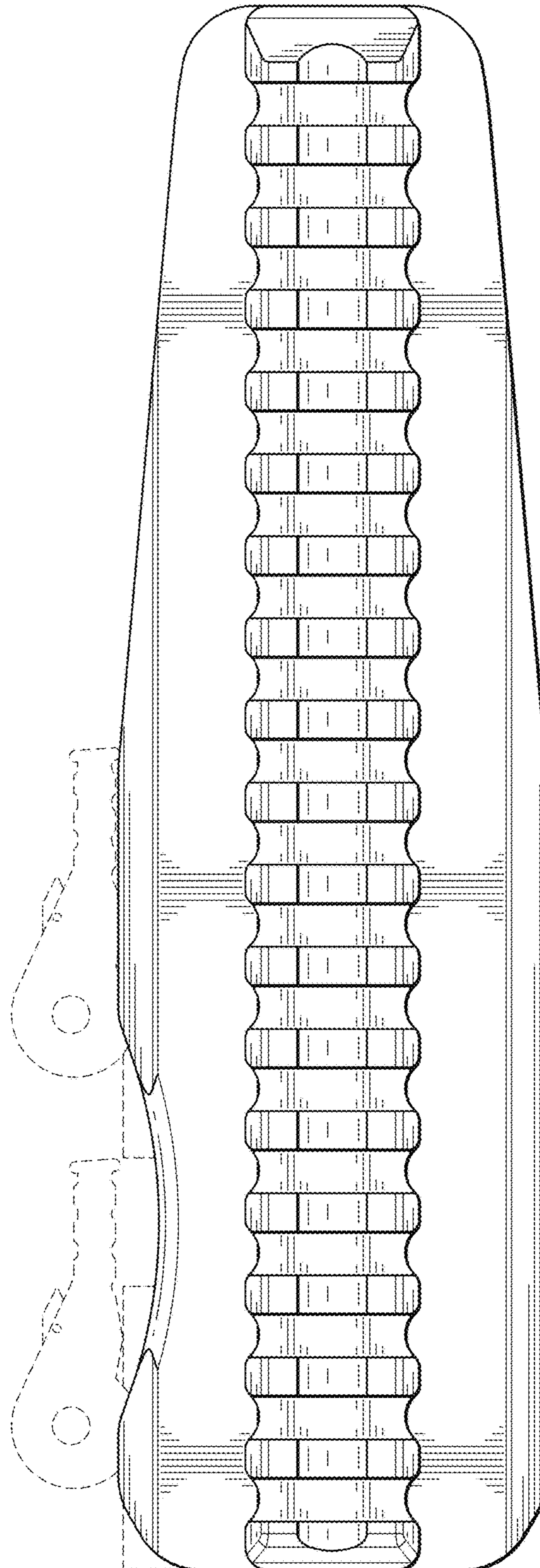


FIG. 5

FIG. 6



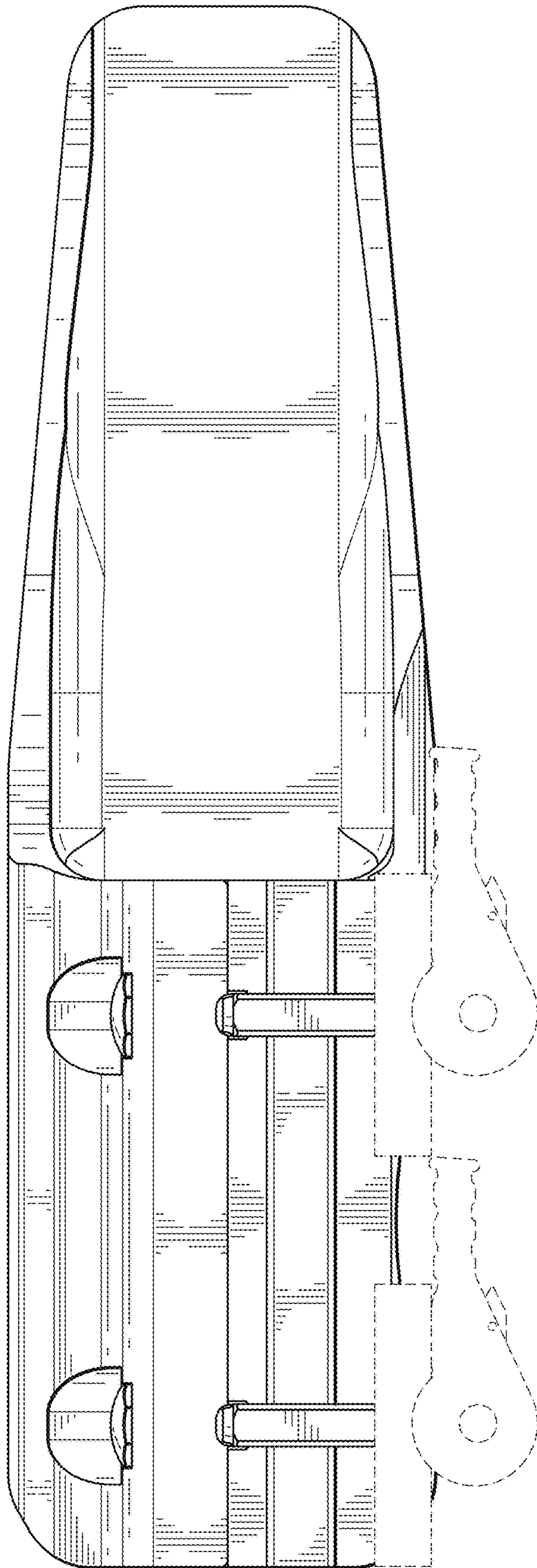


FIG. 7

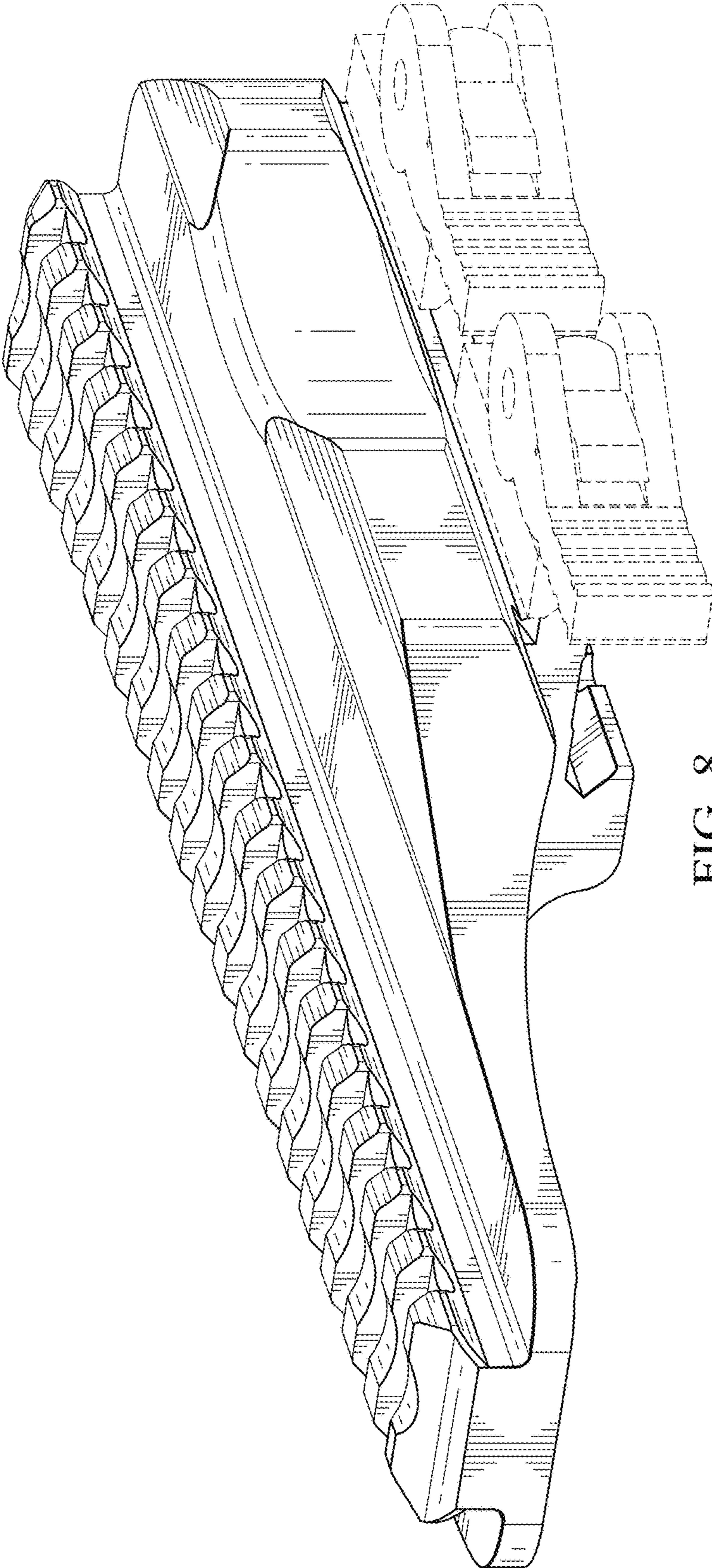


FIG. 8