



US00D822141S

(12) **United States Design Patent**
Xiao

(10) **Patent No.:** **US D822,141 S**

(45) **Date of Patent:** **** Jul. 3, 2018**

(54) **FOLDING TENT**

(71) Applicant: **Yongkai Xiao**, Guangdong (CN)

(72) Inventor: **Yongkai Xiao**, Guangdong (CN)

(73) Assignee: **Yongkai Xiao**, Zhongshan (CN)

(**) Term: **15 Years**

(21) Appl. No.: **29/604,657**

(22) Filed: **May 18, 2017**

(51) **LOC (11) Cl.** **21-04**

(52) **U.S. Cl.**
USPC **D21/837**

(58) **Field of Classification Search**
USPC D21/834, 835, 836, 837, 838, 839, 840
CPC E04H 15/00; E04H 15/02; E04H 15/18;
E04H 15/28; E04H 15/32; E04H 15/34;
E04H 15/40; E04H 15/42; E04H 15/425;
E04H 15/50

See application file for complete search history.

(56) **References Cited**

U.S. PATENT DOCUMENTS

D514,747 S *	2/2006	Bertoli	D30/108
D661,362 S *	6/2012	Zimmer	D21/834
D721,413 S *	1/2015	Zimmer	D21/837
D741,437 S *	10/2015	Zimmer	D21/837

D763,391 S *	8/2016	Xu	D21/837
D773,579 S *	12/2016	Shir	D21/837
D775,296 S *	12/2016	Shir	D21/837
D778,383 S *	2/2017	Xu	D21/837
D795,980 S *	8/2017	Xiao	D21/834
2005/0081903 A1*	4/2005	Wang	E04H 15/40 135/126
2005/0121061 A1*	6/2005	Zheng	E04H 15/324 135/126

* cited by examiner

Primary Examiner — Karen S Acker

Assistant Examiner — Keith J Wilson

(74) *Attorney, Agent, or Firm* — ScienBiziP, P.C.

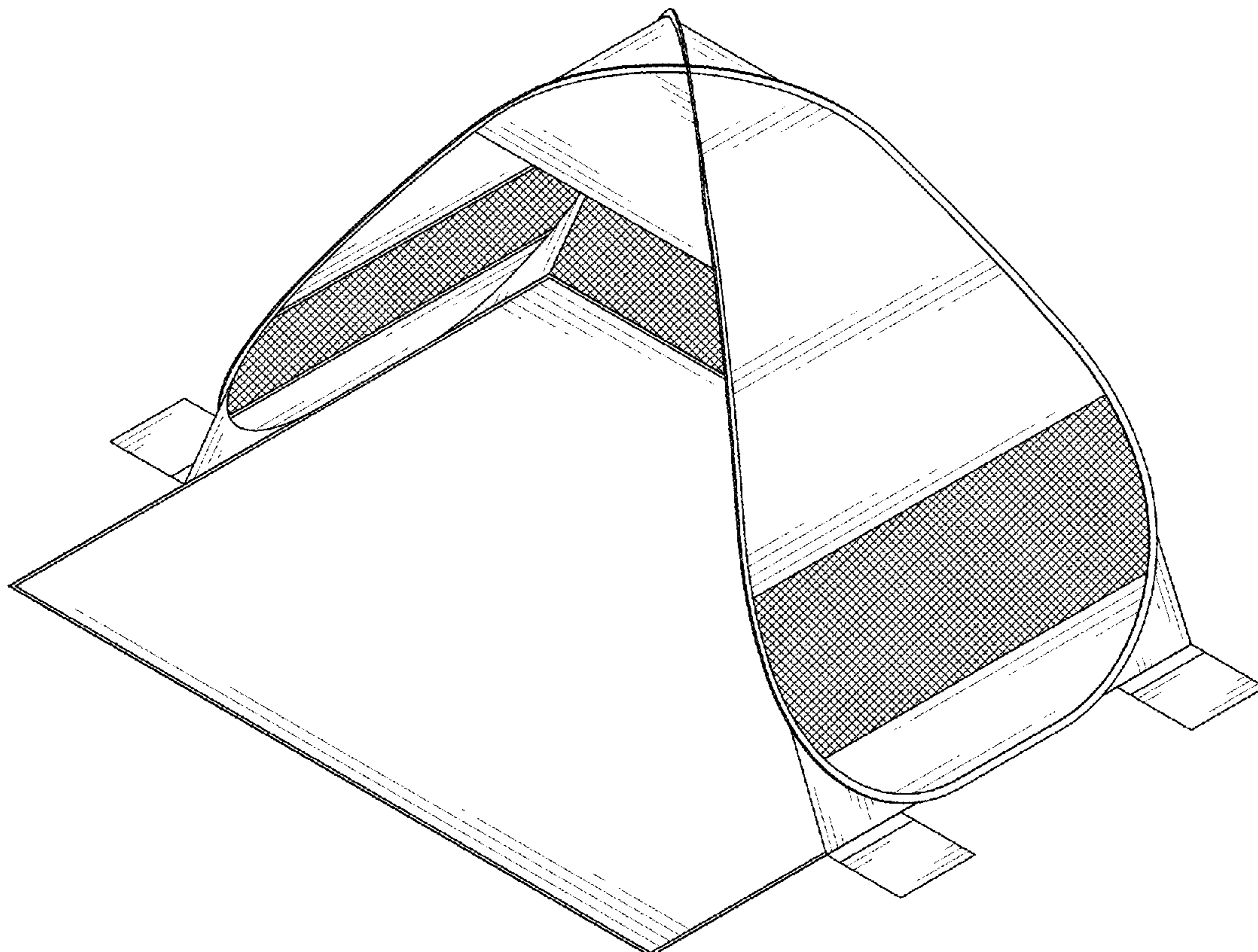
(57) **CLAIM**

The ornamental design for a folding tent, as shown and described.

DESCRIPTION

FIG. 1 is a first perspective view of a folding tent showing my new design;
FIG. 2 is a second perspective view thereof;
FIG. 3 is a front elevational view thereof;
FIG. 4 is a rear elevational view thereof;
FIG. 5 is a left side view thereof;
FIG. 6 is a right side view thereof;
FIG. 7 is a top plan view thereof; and,
FIG. 8 is a bottom plan view thereof.

1 Claim, 8 Drawing Sheets



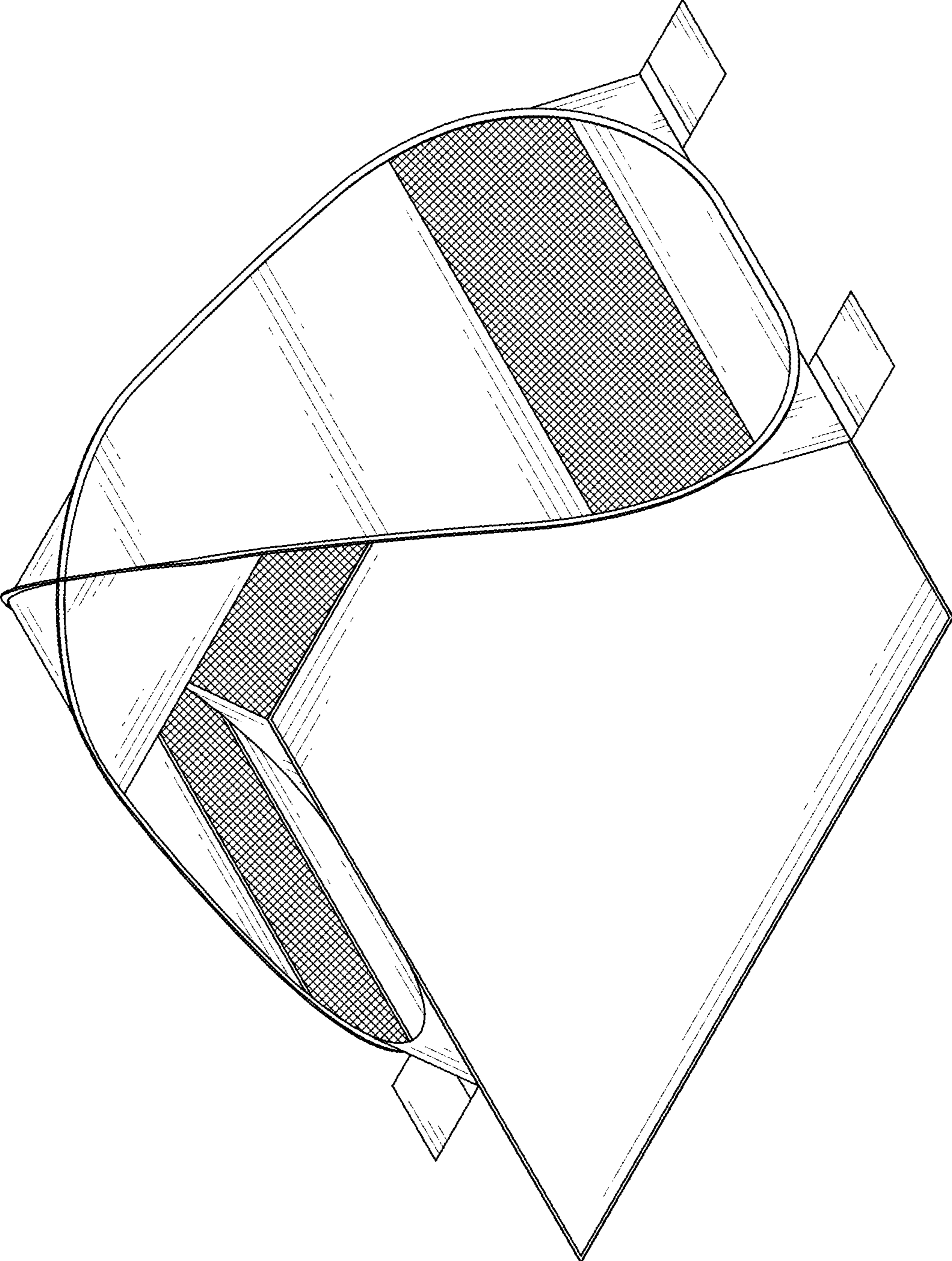


FIG. 1

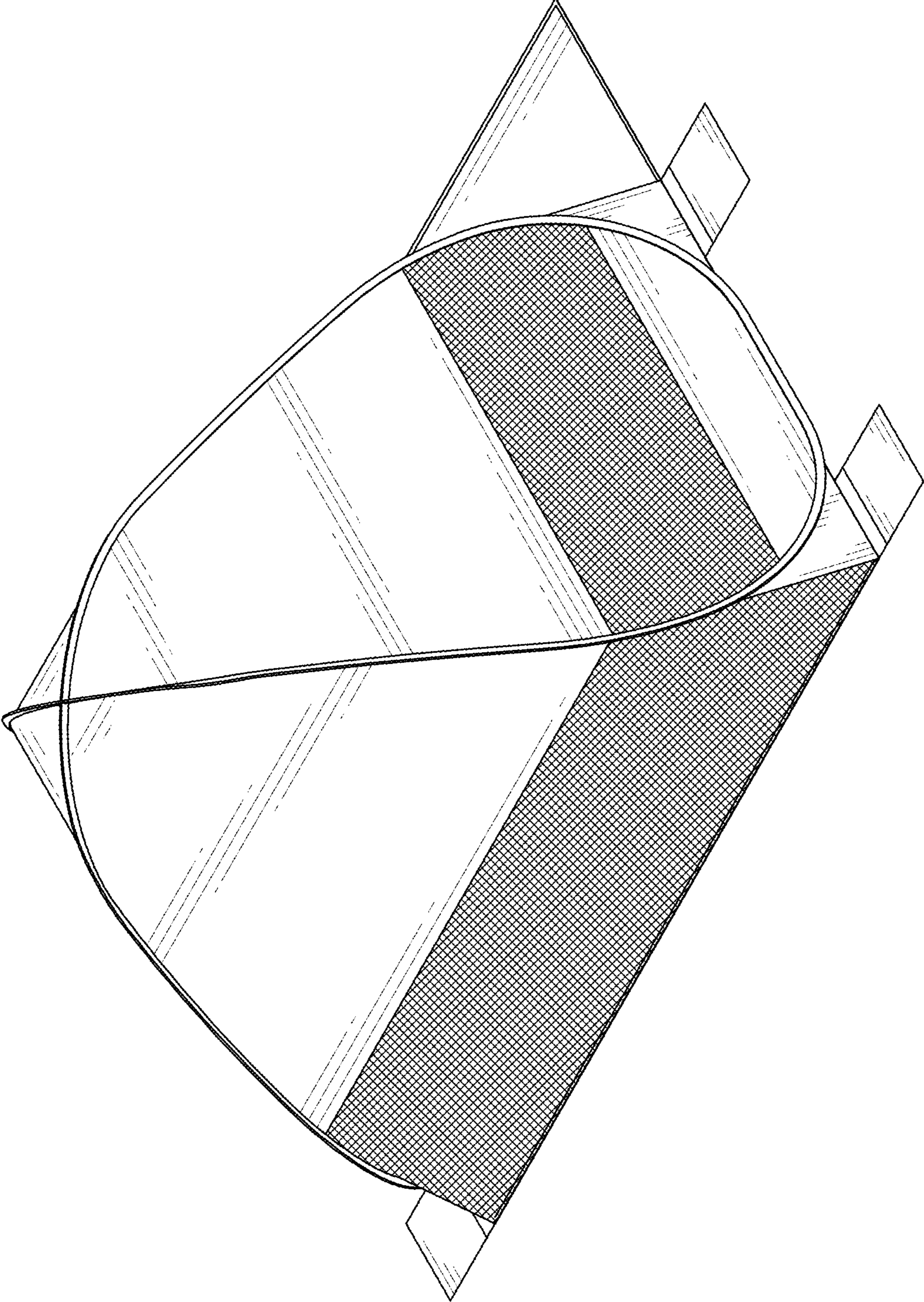


FIG. 2

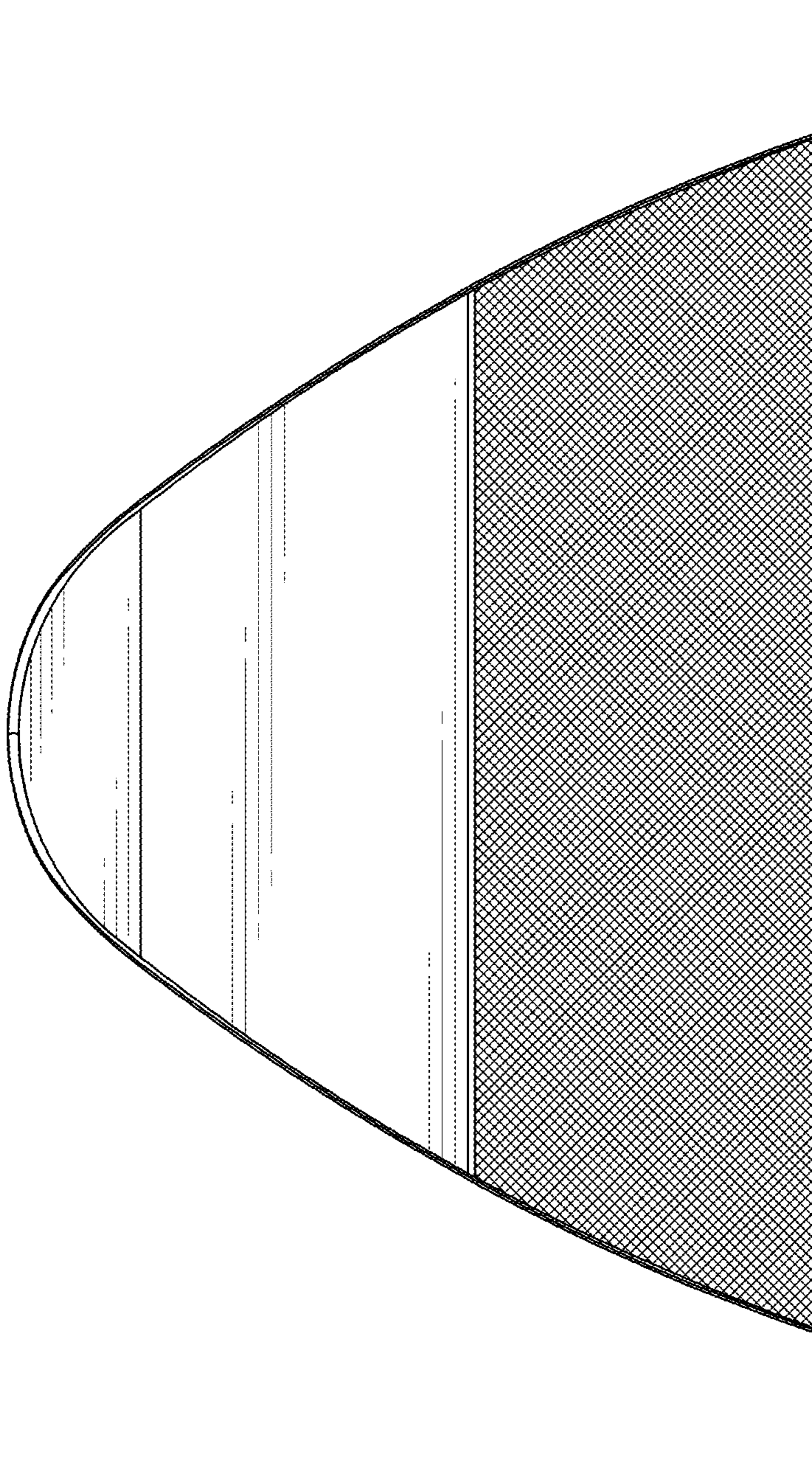


FIG. 3

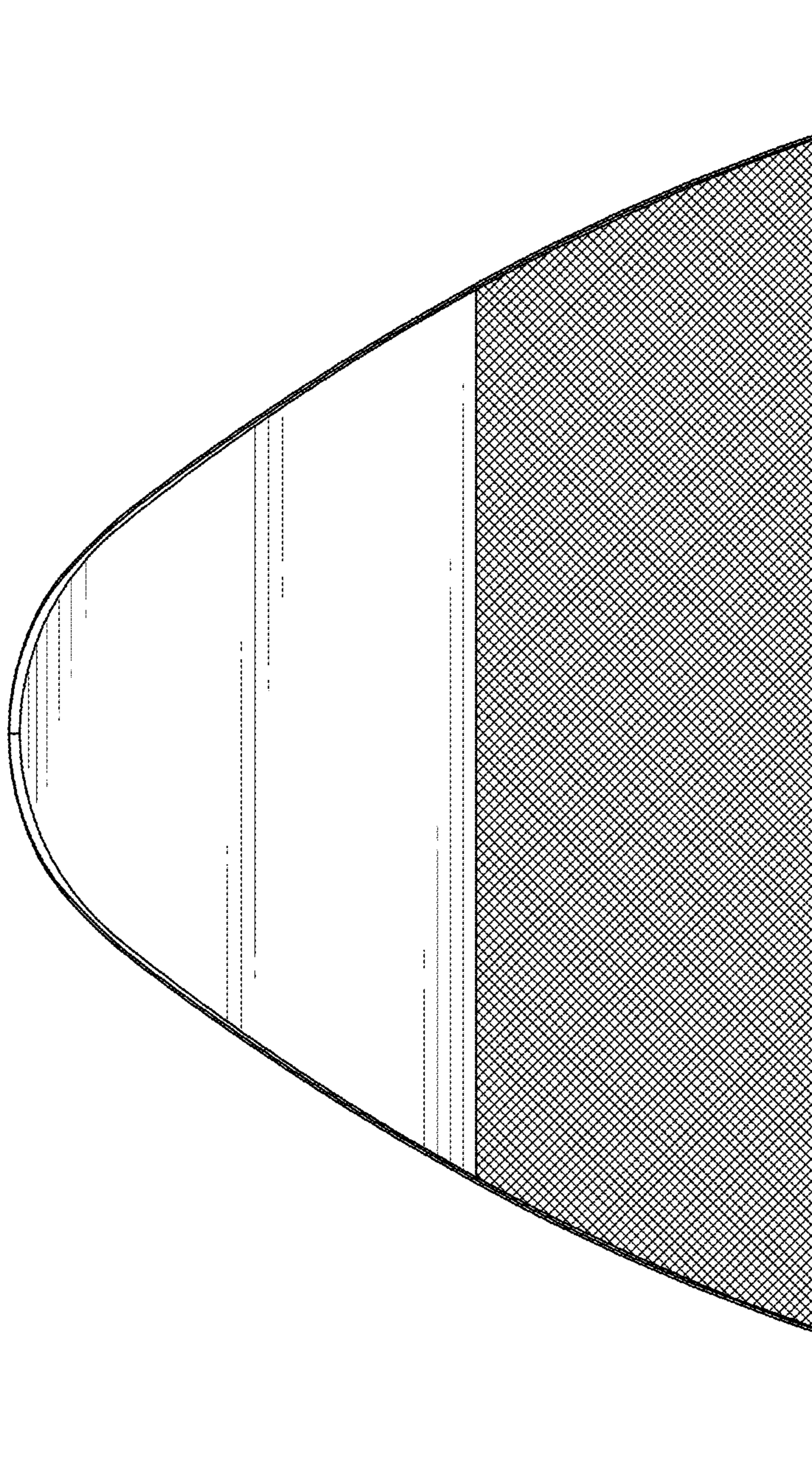


FIG. 4

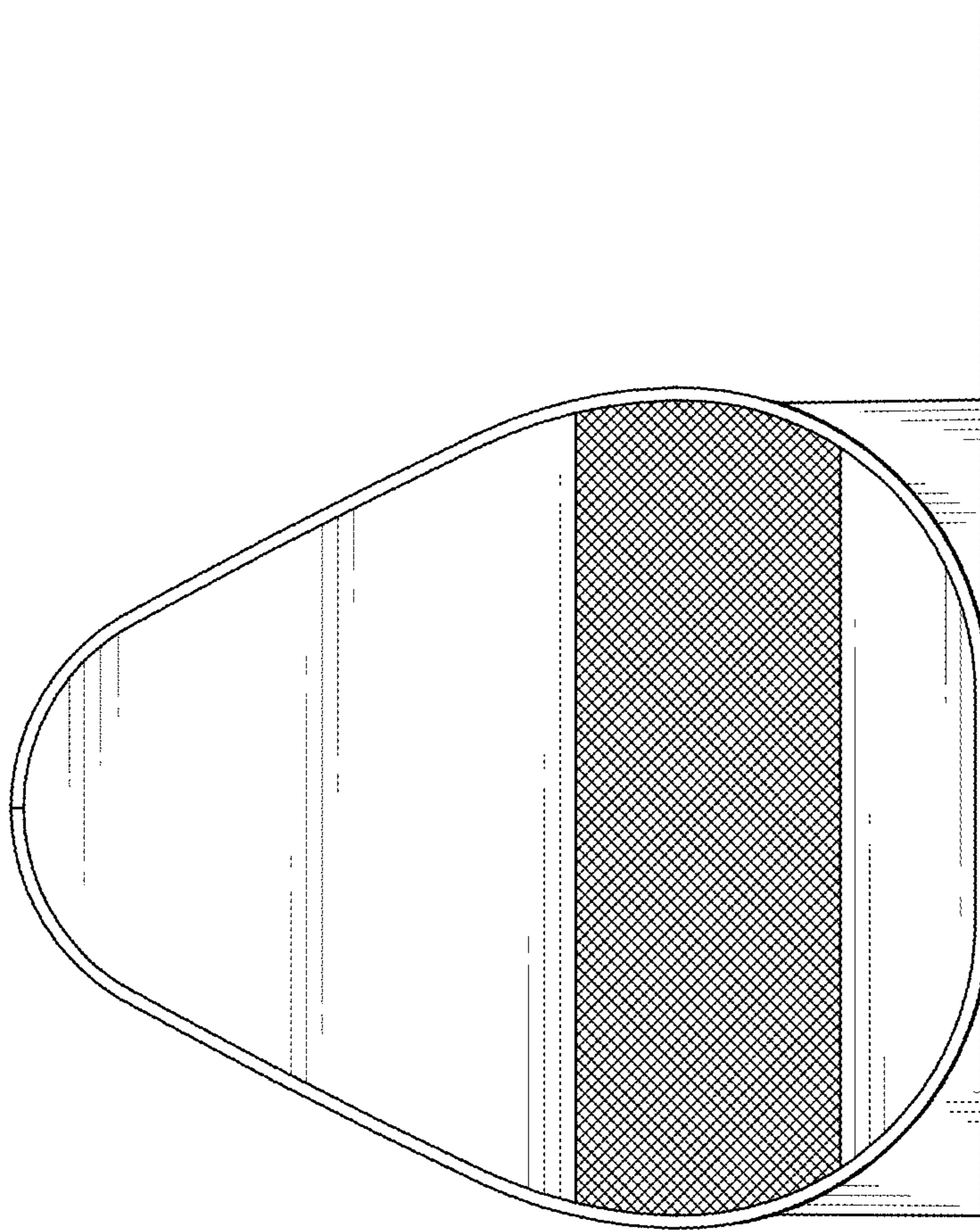


FIG. 5

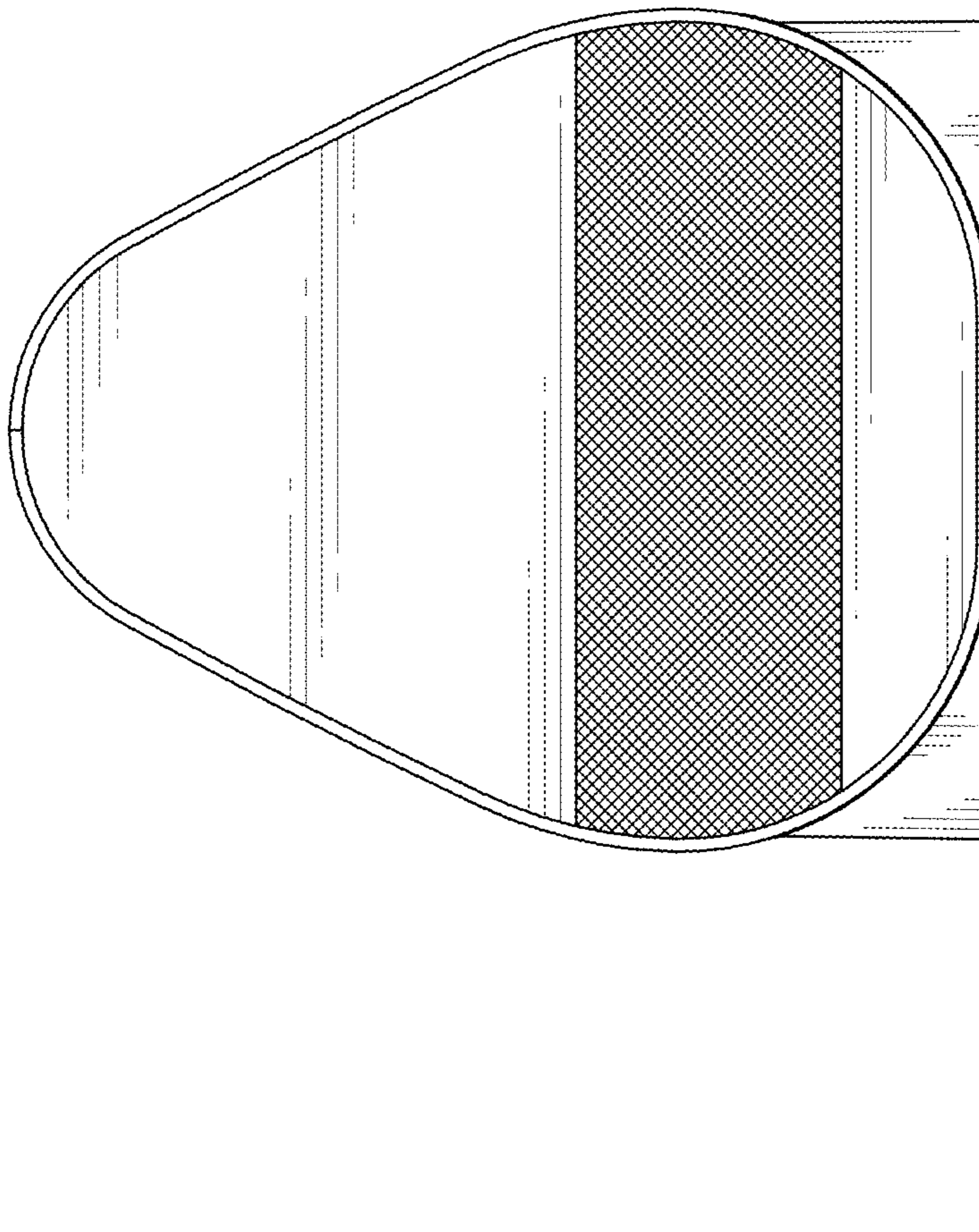


FIG. 6

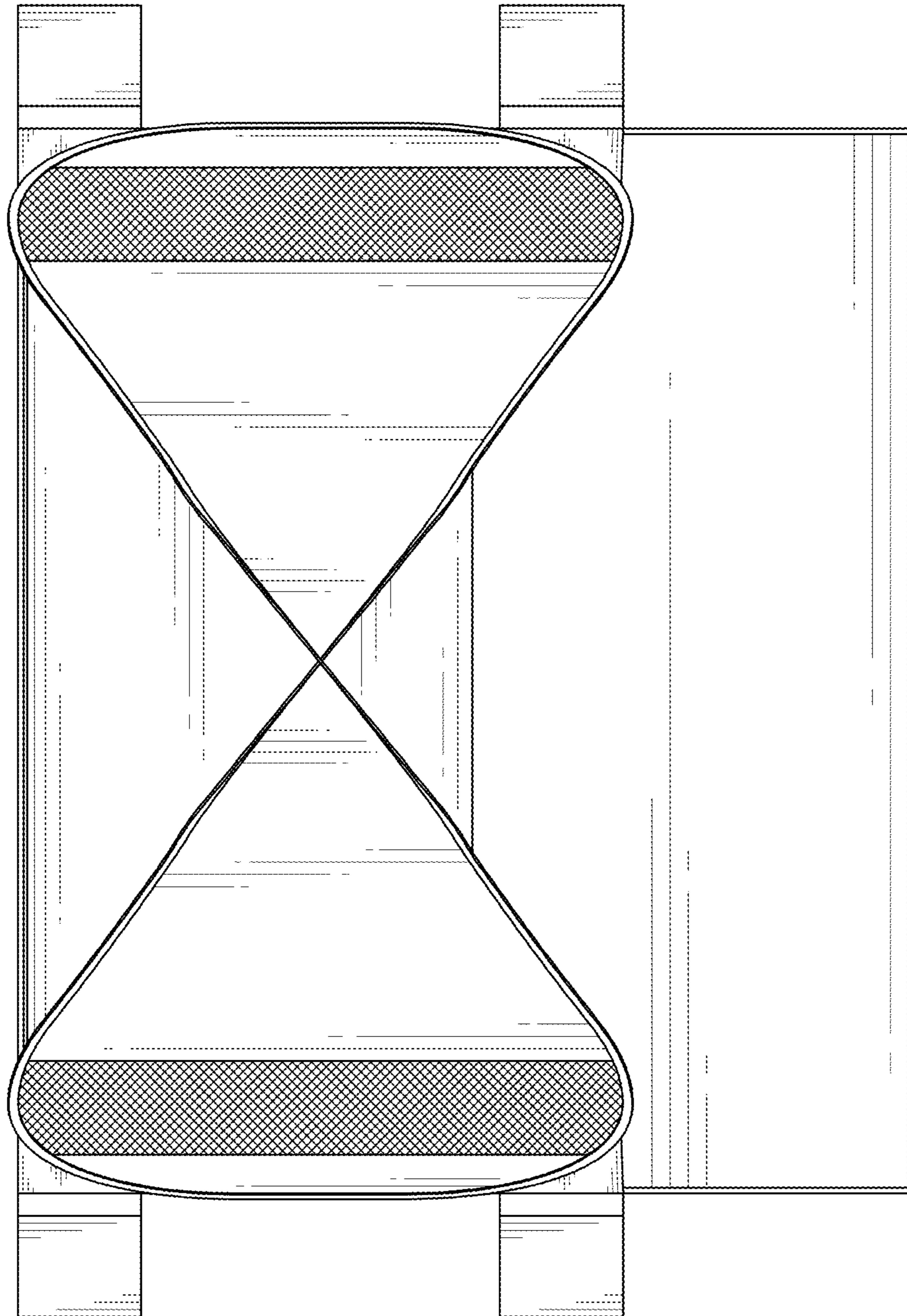


FIG. 7

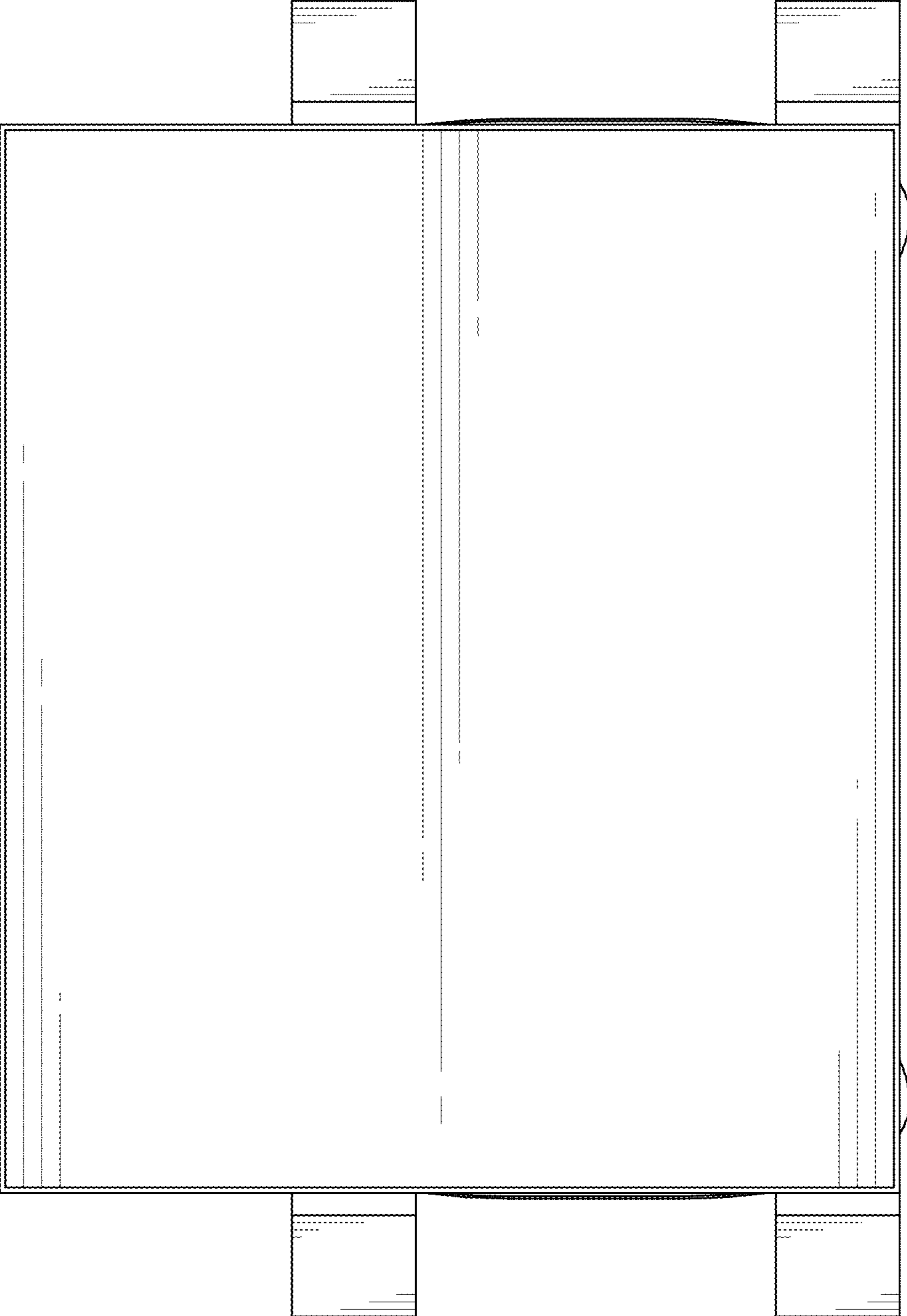


FIG. 8