



US00D822137S

(12) **United States Design Patent** (10) **Patent No.:** **US D822,137 S**
Oyler et al. (45) **Date of Patent:** **** Jul. 3, 2018**

(54) **GOLF TRAINING DEVICE**

(71) Applicant: **Golf Tailor, LLC**, Edmond, OK (US)
(72) Inventors: **Tim Oyler**, Edmond, OK (US); **Joshua M. Boggs**, Aledo, TX (US)
(73) Assignee: **Golf Tailor, LLC**, Edmond, OK (US)
(**) Term: **15 Years**

(21) Appl. No.: **29/605,368**
(22) Filed: **May 25, 2017**
(51) **LOC (11) Cl.** **21-02**
(52) **U.S. Cl.**
USPC **D21/791**
(58) **Field of Classification Search**
USPC D21/747-751, 733, 759, 789, 791
(Continued)

(56) **References Cited**

U.S. PATENT DOCUMENTS

482,836 A 9/1892 Wyant
1,637,339 A 8/1927 Glennon et al.
(Continued)

FOREIGN PATENT DOCUMENTS

CN 303855686 S 9/2016
HK 1600455.2 3/2016
WO WO 2004/105887 12/2004

Primary Examiner — Mitchell I. Siegel
(74) *Attorney, Agent, or Firm* — Caesar Rivise, PC

(57) **CLAIM**

The ornamental design for the golf training device, as shown and described.

DESCRIPTION

FIG. 1 is a front isometric view of a golf training device showing my new design, shown with a slidable canister in

an upper-shaft position, and a retractable line shown in an extended and clipped position;
FIG. 2 is a front, elevation view of the golf training device of FIG. 1, shown with the slidable canister in the upper-shaft position, and a retractable line shown in the extended and clipped position;
FIG. 3 is a rear, elevation view of the golf training device of FIG. 1, shown with the slidable canister in the upper-shaft position, and a retractable line shown in the extended and clipped position;
FIG. 4 is a left side elevation view of the golf training device of FIG. 1, shown with the slidable canister in the upper-shaft position, and a retractable line shown in the extended and clipped position;
FIG. 5 is a right side elevation view of the golf training device of FIG. 1, shown with the slidable canister in the upper-shaft position, and a retractable line shown in the extended and clipped position;
FIG. 6 is a top, plan view of the golf training device of FIG. 1, shown with the slidable canister in the upper-shaft position, and a retractable line shown in the extended and clipped position;
FIG. 7 is bottom, plan view of a set of golf training device of FIG. 1, shown with the slidable canister in the upper-shaft position, and a retractable line shown in the extended and clipped position;
FIG. 8 is a front isometric view of the golf training device of FIG. 1, shown with the slidable canister in the upper-shaft position, and the retractable line shown in a retracted position;
FIG. 9 is a front, elevation view of the golf training device of FIG. 1, shown with the slidable canister in the upper-shaft position, and the retractable line shown in the retracted position;
FIG. 10 is a rear, elevation view of the golf training device of FIG. 1, shown with the slidable canister in the upper-shaft position, and the retractable line shown in the retracted position;
FIG. 11 is a left side elevation view of the golf training device of FIG. 1, shown with the slidable canister in the upper-shaft position, and the retractable line shown in the retracted position;

(Continued)

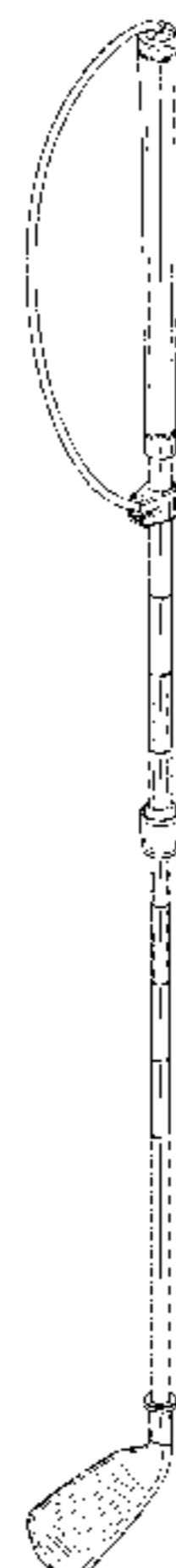


FIG. 12 is a right side elevation view of the golf training device of FIG. 1, shown with the slidable canister in the upper-shaft position, and the retractable line shown in the retracted position;

FIG. 13 is a top, plan view of the golf training device of FIG. 1, shown with the slidable canister in the upper-shaft position, and the retractable line shown in the retracted position;

FIG. 14 is bottom plan view of a set of golf training device of FIG. 1, shown with the slidable canister in the upper-shaft position, and the retractable line shown in the retracted position;

FIG. 15 is a front isometric view of the golf training device of FIG. 1, shown with the slidable canister in a lower-shaft position, and the retractable line shown in a retracted position;

FIG. 16 is a front, elevation view of the golf training device of FIG. 1, shown with the slidable canister in a lower-shaft position, and the retractable line shown in the retracted position;

FIG. 17 is a rear, elevation view of the golf training device of FIG. 1, shown with the slidable canister in a lower-shaft position, and the retractable line shown in the retracted position;

FIG. 18 is a left side elevation view of the golf training device of FIG. 1, shown with the slidable canister in a lower-shaft position, and the retractable line shown in the retracted position;

FIG. 19 is a right side elevation view of the golf training device of FIG. 1, shown with the slidable canister in a lower-shaft position, and the retractable line shown in the retracted position;

FIG. 20 is a top, plan view of the golf training device of FIG. 1, shown with the slidable canister in a lower-shaft position, and the retractable line shown in the retracted position; and,

FIG. 21 is bottom plan view of a set of golf training device of FIG. 1, shown with the slidable canister in a lower-shaft position, and the retractable line shown in the retracted position.

The features shown in broken lines in the drawing depict portions of the design that form no part of the claimed design.

1 Claim, 12 Drawing Sheets

(58) Field of Classification Search

CPC A63B 53/00; A63B 53/02; A63B 53/04; A63B 53/047; A63B 53/0475; A63B 2053/0479; A63B 2053/0483; A63B 2053/0445; A63B 60/00; A63B 60/46; A63B 60/54; A63B 60/04; A63B 69/3632
See application file for complete search history.

(56) References Cited

U.S. PATENT DOCUMENTS

3,482,838 A 12/1969 Gibson et al.
3,741,550 A 6/1973 Landures
D237,515 S 11/1975 Thiel
4,027,886 A 6/1977 Katsube
4,526,373 A 7/1985 Medlock
4,664,388 A 5/1987 Huber

4,732,390 A 5/1988 McCollum
4,913,440 A 4/1990 Ellington
4,930,786 A 6/1990 Bencriscutto
5,009,426 A * 4/1991 Cox A63B 69/3632
473/227
5,026,065 A 6/1991 Bellagamba
D326,268 S 5/1992 Le Tixerant
D326,493 S 5/1992 Perry
D329,268 S 9/1992 Perry
5,255,921 A 10/1993 Spence
5,277,423 A * 1/1994 Artus A63B 60/00
473/319
5,360,209 A 11/1994 Mollica
5,423,548 A 6/1995 Bricker
D362,885 S * 10/1995 Blough D21/747
D364,435 S * 11/1995 Wood D21/750
5,513,842 A 5/1996 Fuss
D370,514 S * 6/1996 Blough D21/750
D401,981 S * 12/1998 Yoo D21/747
D404,097 S 1/1999 Tyner
D405,859 S 2/1999 Thompson
D407,773 S 4/1999 Greig
D417,479 S 12/1999 Mechals, Jr.
D426,607 S * 6/2000 Wurster D21/791
D432,196 S * 10/2000 Kleppen D21/756
D432,613 S 10/2000 Lewallen, Jr.
D454,606 S * 3/2002 Helmstetter D21/747
D457,929 S 5/2002 Ciesar et al.
D485,325 S 1/2004 Rohan-Weaver
D486,198 S * 2/2004 Rohan-Weaver D21/791
D490,492 S * 5/2004 Nemeckay D21/791
D493,503 S * 7/2004 Rohan-Weaver D21/791
6,955,610 B1 10/2005 Czaja et al.
7,001,285 B1 2/2006 Ahrend
7,214,140 B2 5/2007 Coombs
7,341,661 B2 10/2008 Cailey
7,566,277 B2 7/2009 Dahl
D603,924 S 11/2009 Troutman
D614,710 S * 4/2010 Kim D21/747
D627,414 S 11/2010 Masuda et al.
D640,764 S 6/2011 Ikeda
D641,448 S 7/2011 Sessions
8,529,366 B2 9/2013 Butler et al.
8,540,584 B1 9/2013 Sorenson
8,696,485 B2 4/2014 Pies et al.
D707,772 S * 6/2014 Oldknow D21/759
8,894,503 B2 * 11/2014 Dandrea A63B 69/3632
473/226
9,039,546 B2 * 5/2015 Dawson A63B 69/3641
473/206
D732,126 S * 6/2015 Dolezel D21/759
D733,821 S * 7/2015 Dolezel D21/759
D767,066 S * 9/2016 Asazuma D21/759
D769,390 S * 10/2016 Wang D21/791
D776,772 S * 1/2017 Foster D21/759
D806,813 S * 1/2018 Song D21/747
D808,483 S * 1/2018 Wang D21/791
D808,484 S * 1/2018 Oyler D21/791
2003/0199330 A1 10/2003 Magallanes
2004/0048680 A1 3/2004 O'Connor et al.
2004/0142757 A1 7/2004 Ahrend
2006/0019764 A1 1/2006 Gegelys
2006/0040760 A1 2/2006 Du Preez
2007/0032307 A1 2/2007 Coombs
2007/0087856 A1 4/2007 Rodriguez et al.
2007/0238542 A1 10/2007 Pecue
2008/0227561 A1 9/2008 Dahl
2009/0062028 A1 3/2009 Wu
2009/0111598 A1 4/2009 O'Brien et al.
2011/0111876 A1 5/2011 Hart
2011/0294588 A1 12/2011 Pies et al.

* cited by examiner

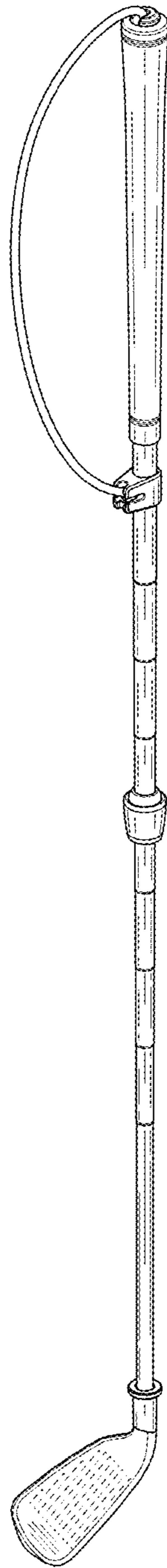


FIG. 1

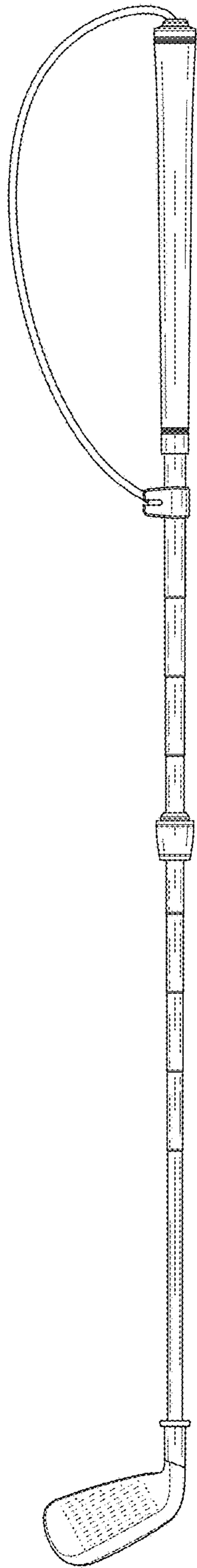


FIG. 2

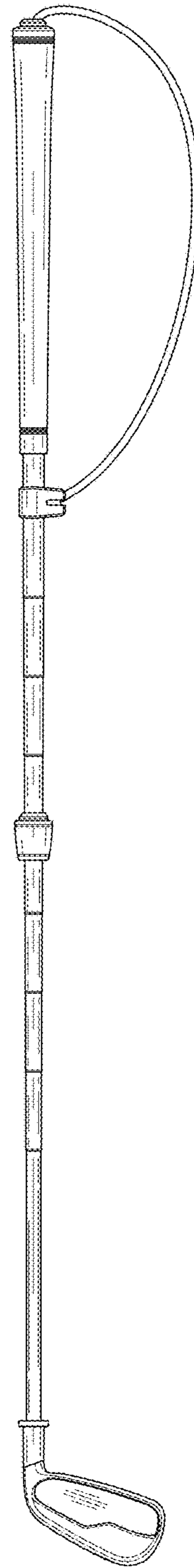


FIG. 3

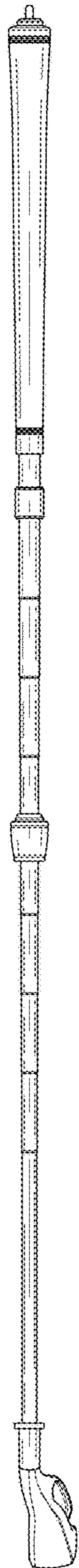


FIG. 4

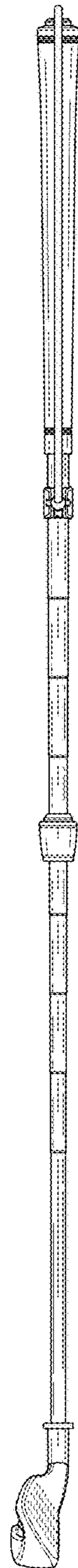


FIG. 5

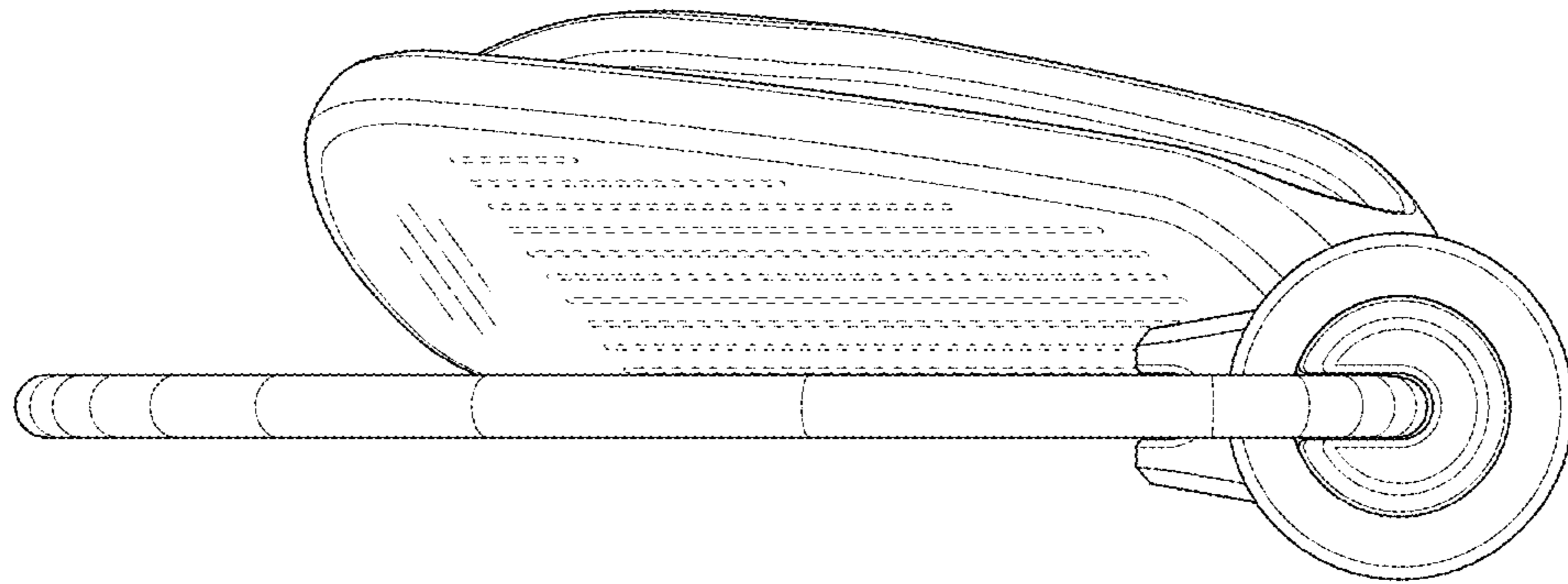


FIG. 6

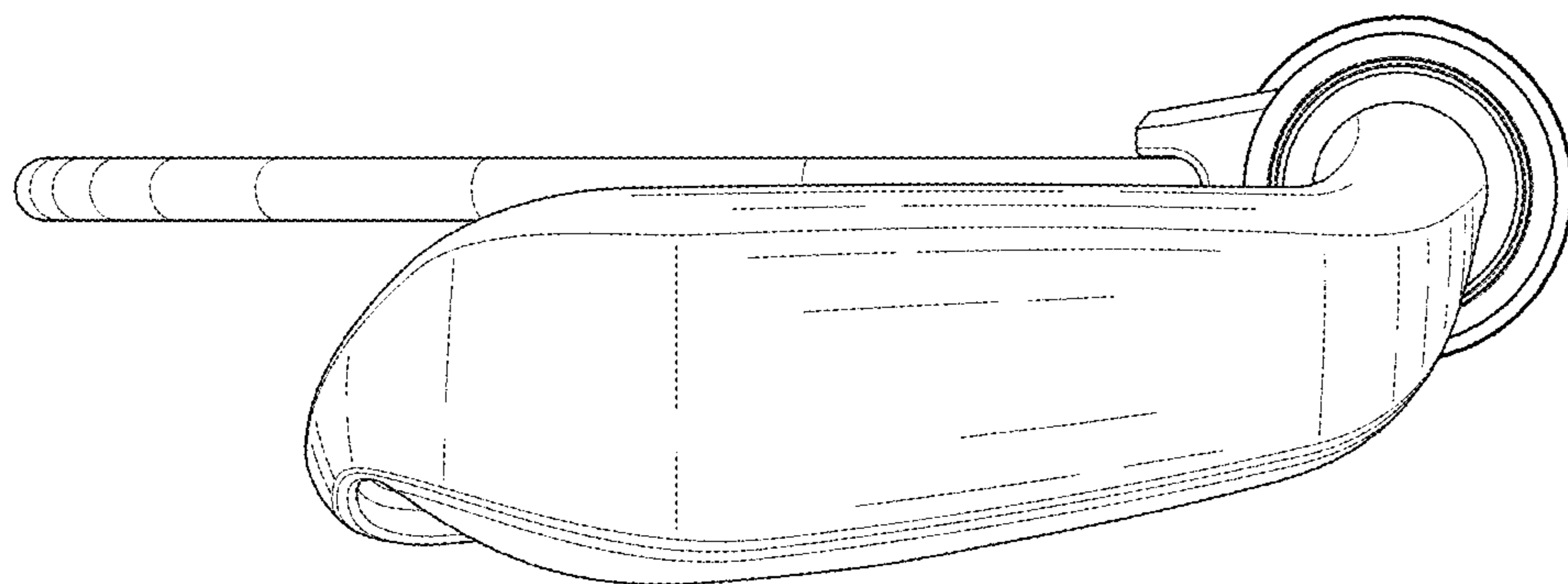


FIG. 7

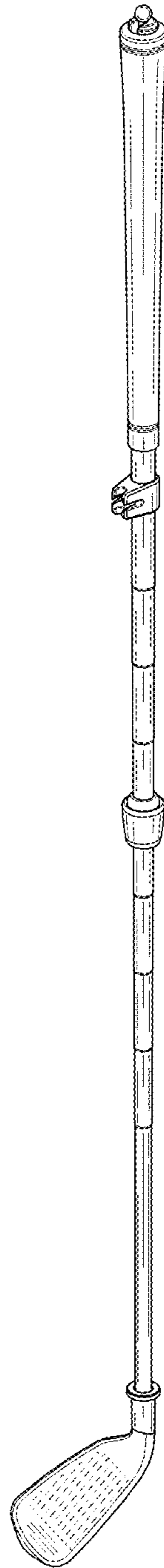


FIG. 8

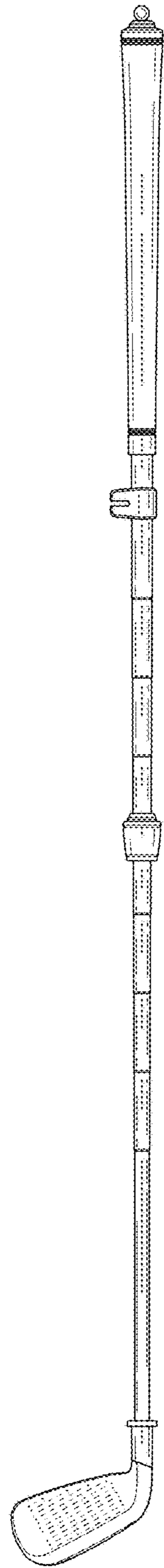


FIG. 9

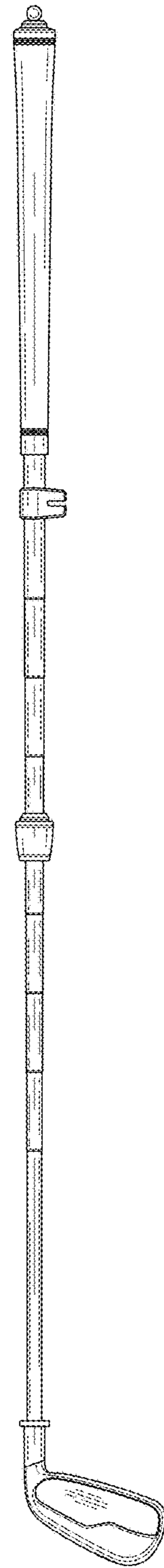


FIG. 10

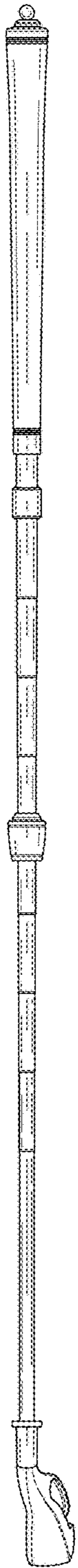


FIG. 11

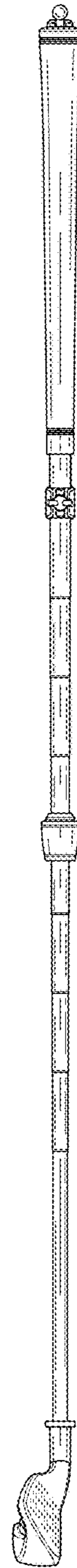


FIG. 12

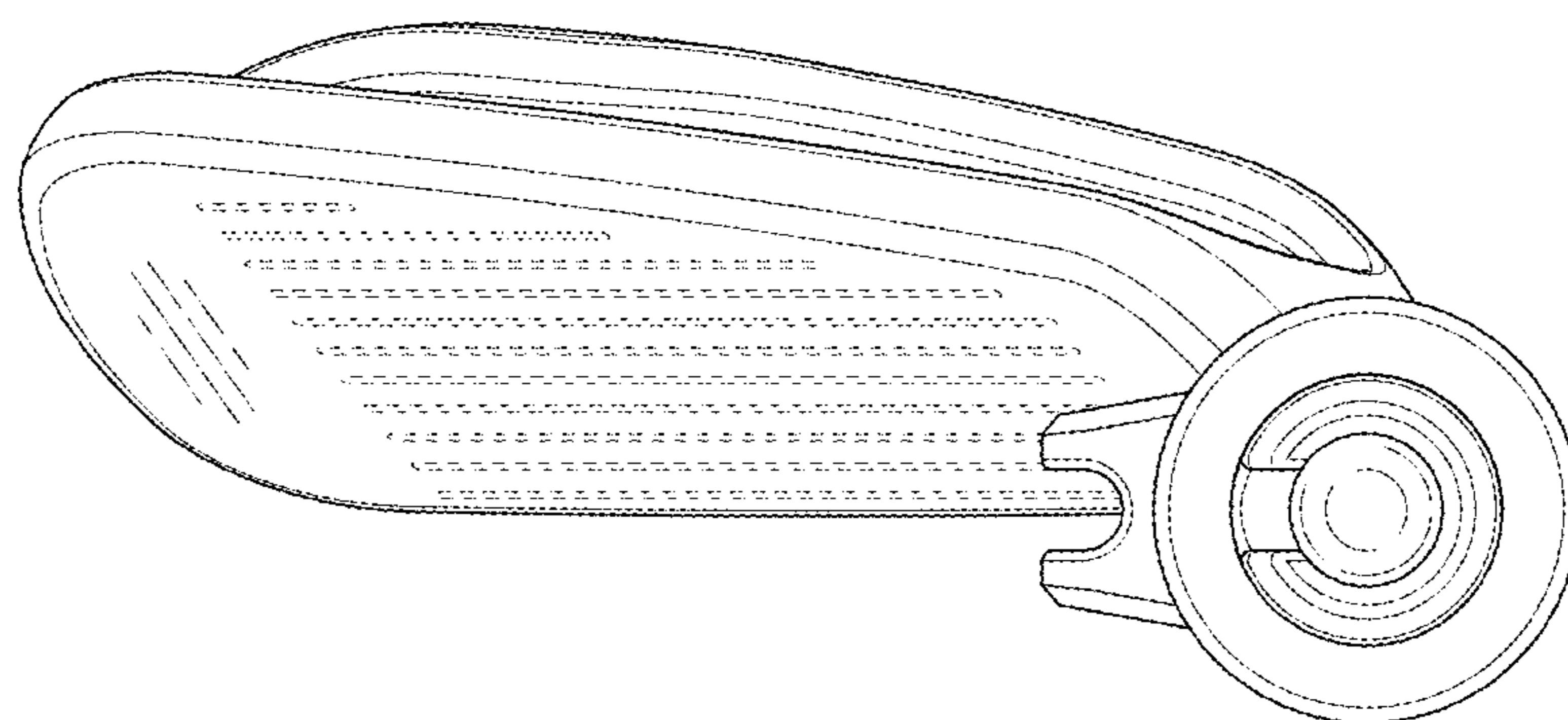


FIG. 13

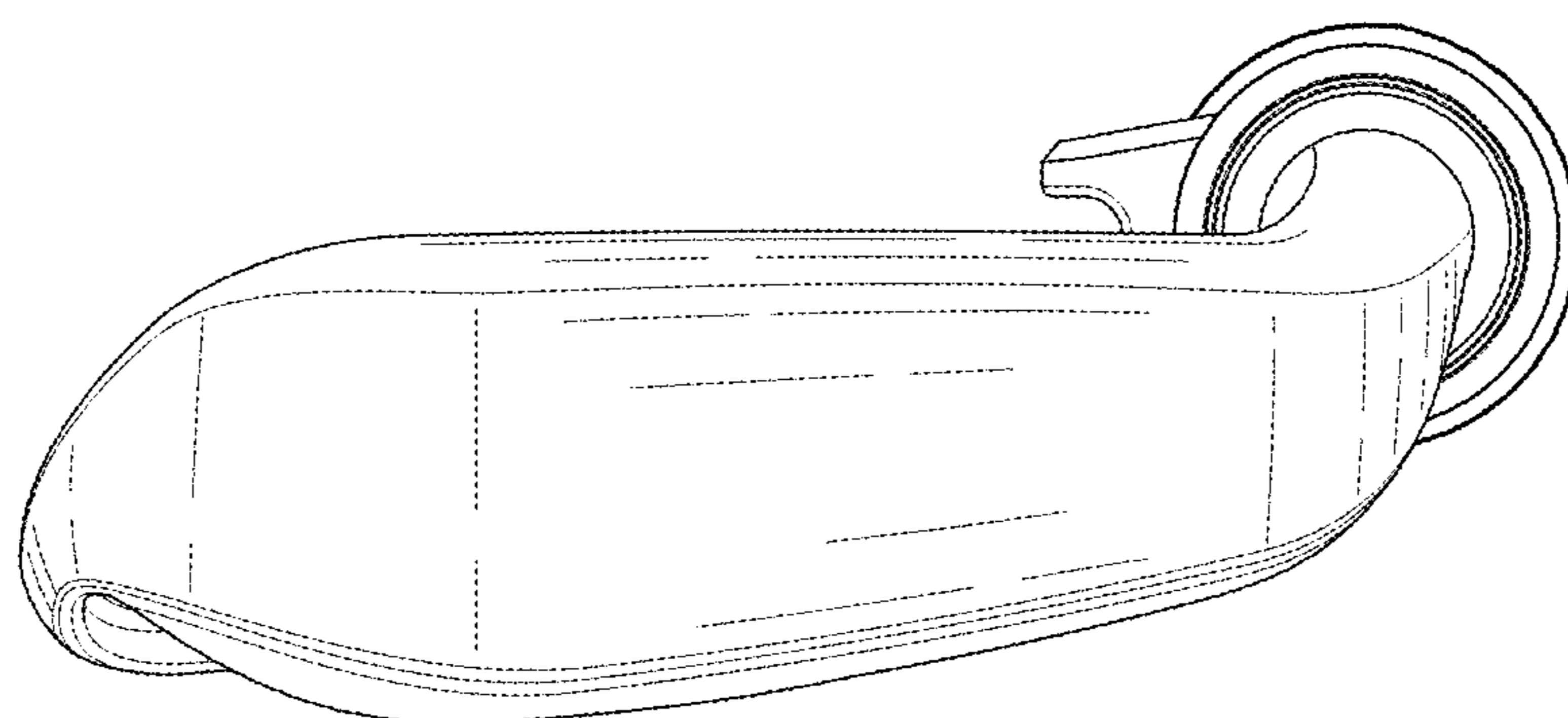


FIG. 14

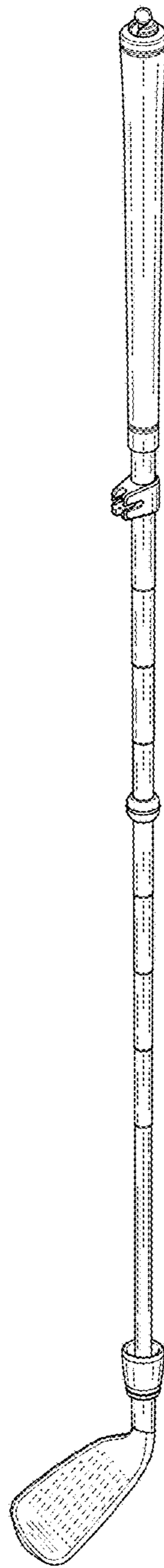


FIG. 15

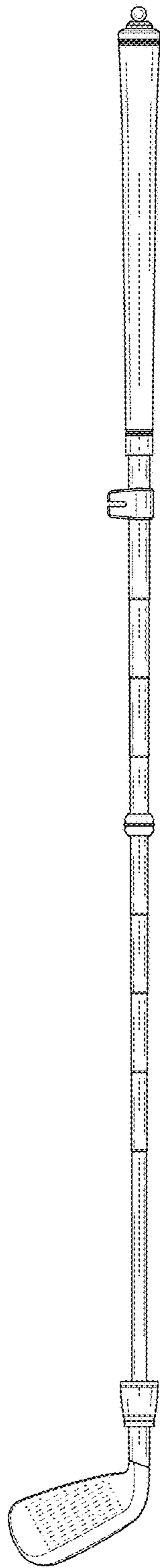


FIG. 16

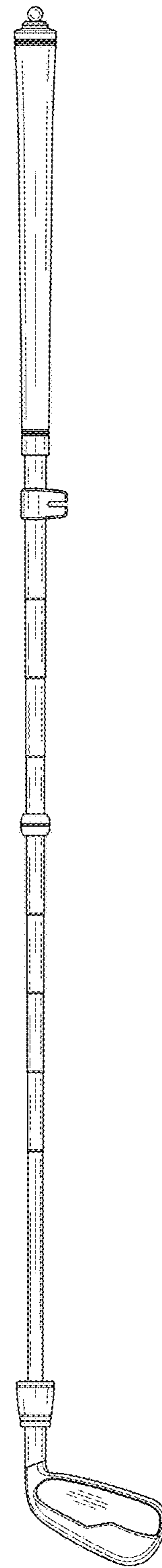


FIG. 17

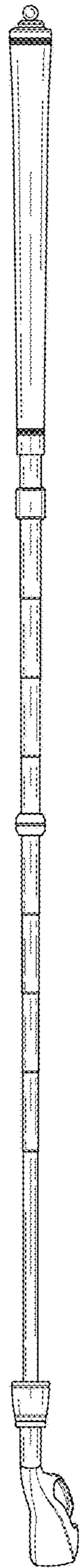


FIG. 18

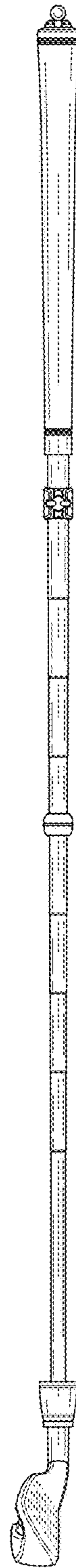


FIG. 19

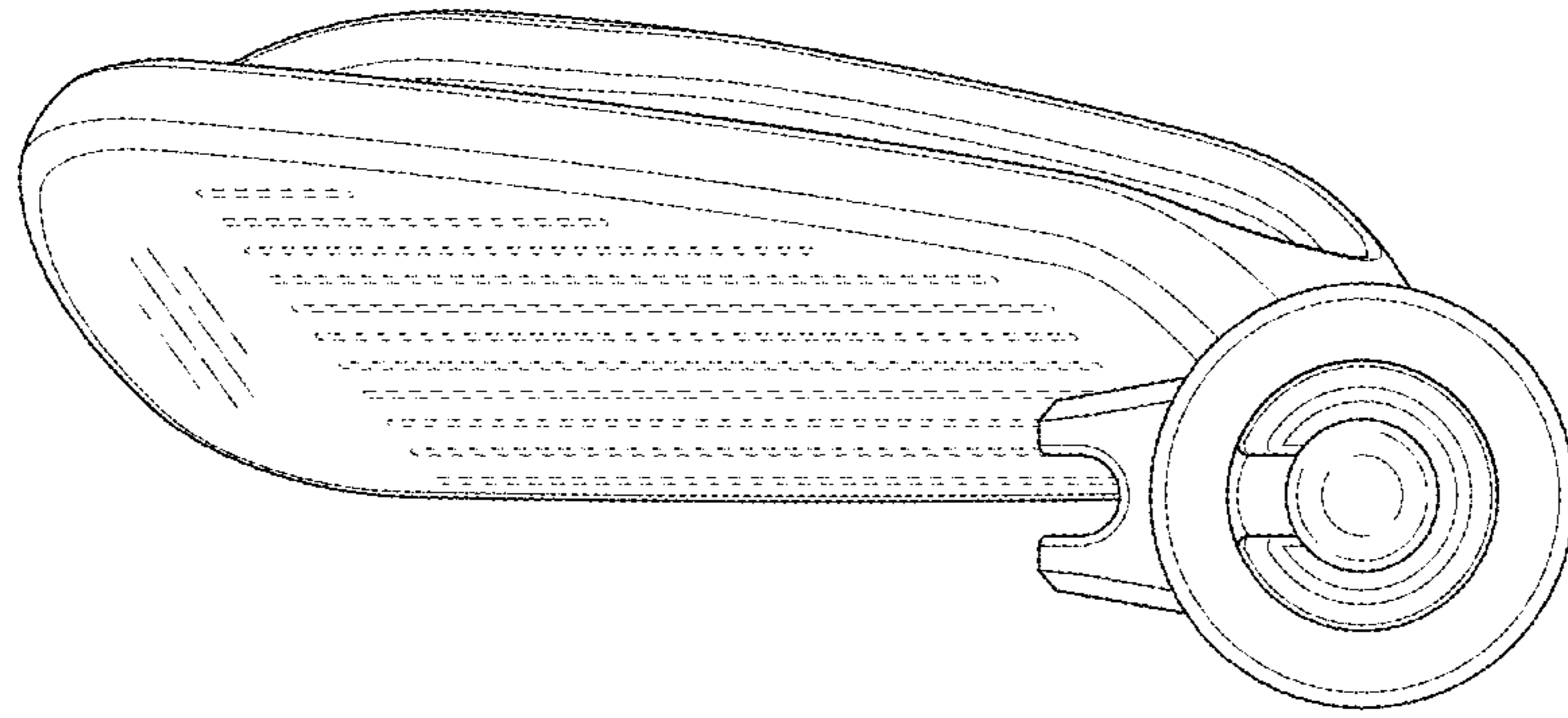


FIG. 20

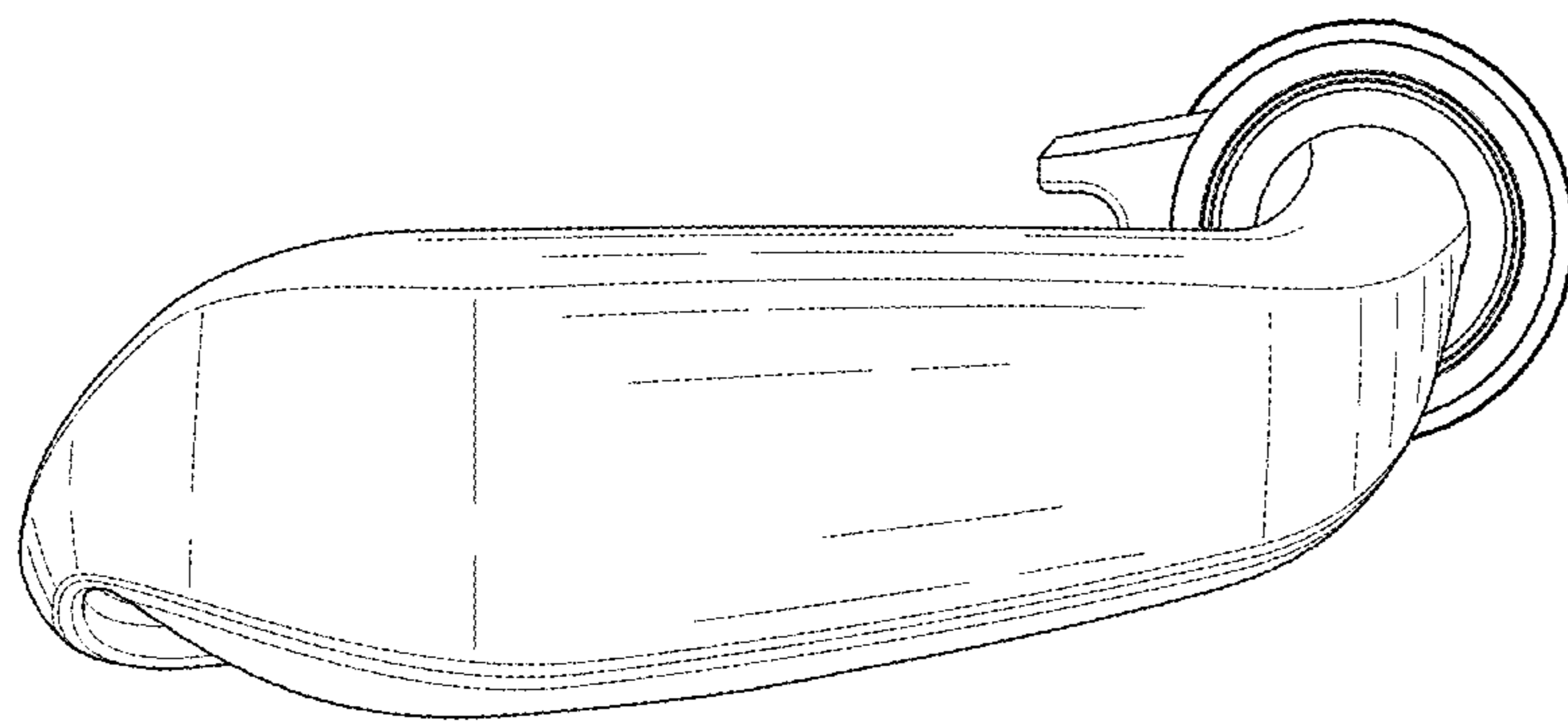


FIG. 21