



US00D822134S

(12) **United States Design Patent**
Parsons et al.

(10) **Patent No.:** **US D822,134 S**
(45) **Date of Patent:** **** Jul. 3, 2018**

- (54) **GOLF CLUB HEAD**
- (71) Applicant: **PARSONS XTREME GOLF, LLC**,
Scottsdale, AZ (US)
- (72) Inventors: **Robert R. Parsons**, Scottsdale, AZ
(US); **Bradley D. Schweigert**, Anthem,
AZ (US); **Michael R. Nicolette**,
Scottsdale, AZ (US)
- (73) Assignee: **PARSONS XTREME GOLF, LLC**,
Scottsdale, AZ (US)
- (**) Term: **15 Years**
- (21) Appl. No.: **29/601,675**
- (22) Filed: **Apr. 25, 2017**

Related U.S. Application Data

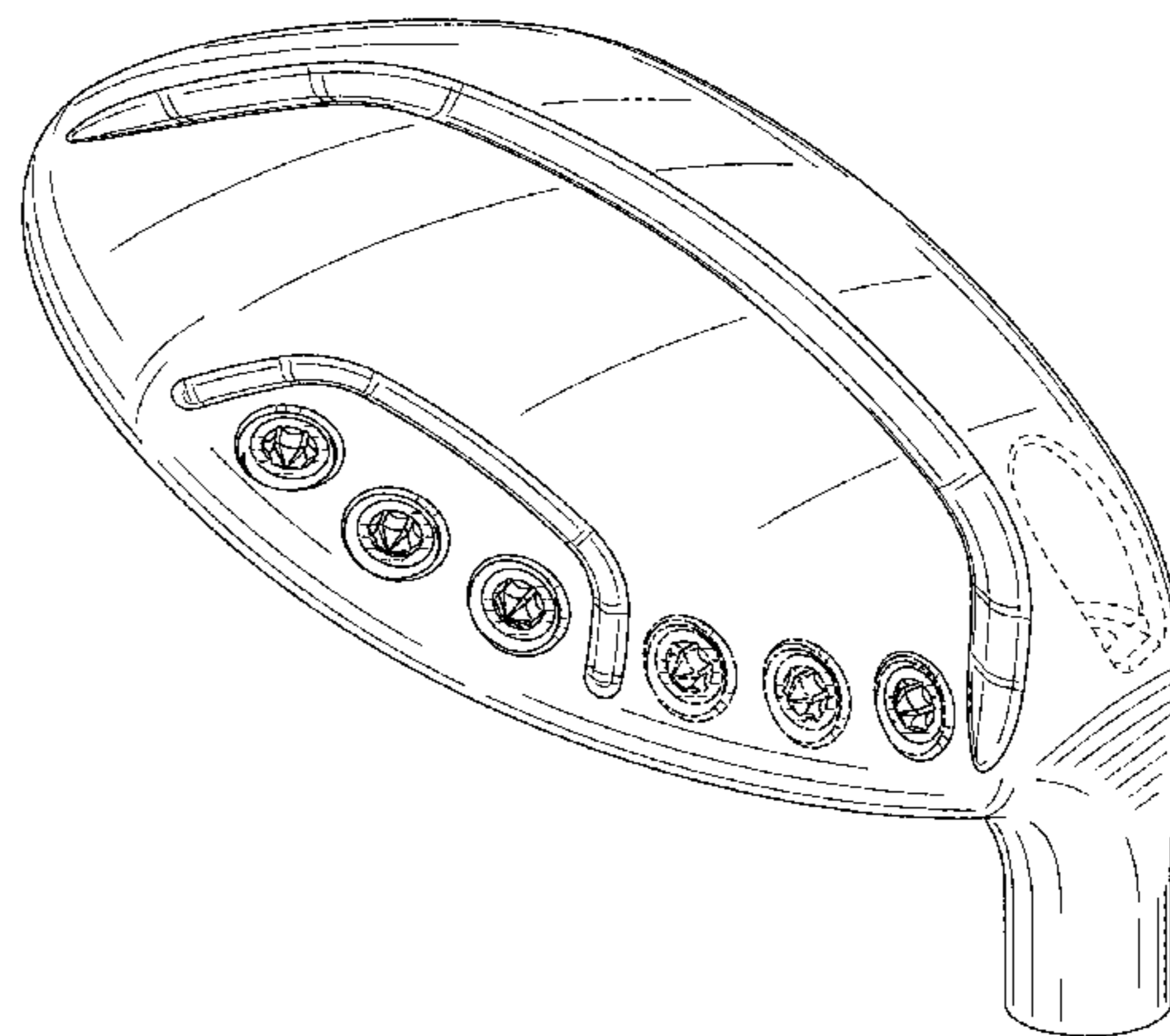
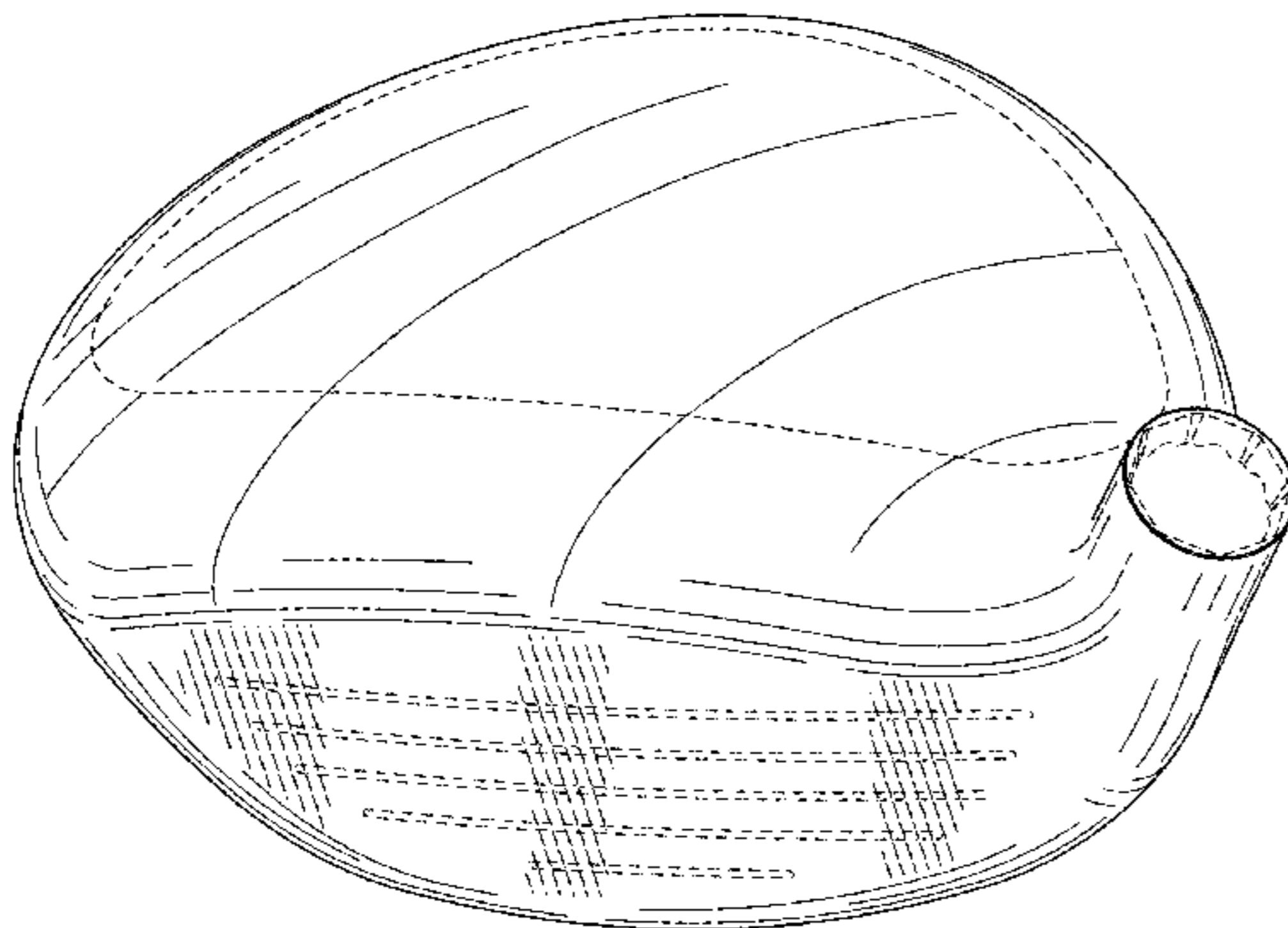
- (63) Continuation-in-part of application No. 29/593,888,
filed on Feb. 14, 2017.
- (51) **LOC (11) Cl.** **21-02**
- (52) **U.S. Cl.**
USPC **D21/752**
- (58) **Field of Classification Search**
USPC D21/733, 752, 759
CPC A63B 53/00; A63B 53/04; A63B 53/0466;
A63B 2053/002; A63B 2053/0445; A63B
2053/0433; A63B 2053/0491; A63B
2053/0437
See application file for complete search history.

References Cited

U.S. PATENT DOCUMENTS

- 1,133,129 A 3/1915 Govan
- 1,269,745 A * 6/1918 Robertson A63B 53/04
473/344
- 1,306,029 A 6/1919 Robertson
- D55,867 S 7/1920 Mattern
- 1,534,600 A * 4/1925 Mattern A63B 53/08
473/337
- 1,538,312 A * 5/1925 Beat A63B 53/08
473/335

- D136,442 S 8/1944 Link
- D138,437 S * 8/1944 Link D21/752
- D138,438 S * 8/1944 Link D21/752
- D138,439 S * 8/1944 Link D21/752
- D138,441 S * 8/1944 Link D21/752
- D138,442 S * 8/1944 Link D21/752
- D164,469 S 9/1951 Behrendt
- D185,177 S 5/1959 Smith
- 3,020,048 A 2/1962 Carroll
- D203,936 S 3/1966 Long
- D215,101 S 9/1969 Sabat
- 3,556,553 A 1/1971 Kolbe
- 3,652,094 A 3/1972 Glover
- D229,431 S * 11/1973 Baker D21/752
- D234,609 S 3/1975 Raymont
- D234,963 S 4/1975 Hirata
- D239,550 S 4/1976 Timbrook
- D240,054 S 5/1976 Meissler
- D240,748 S 7/1976 Bock
- 4,085,934 A 4/1978 Churchward
- D253,778 S * 12/1979 Madison D21/752
- D261,167 S 10/1981 Swanson
- 4,332,388 A 6/1982 Crow
- D294,617 S 3/1988 Perkins
- 4,754,977 A 7/1988 Sahm
- 4,824,116 A 4/1989 Nagamoto et al.
- D307,783 S 5/1990 Iinuma
- 4,988,104 A 1/1991 Shiotani et al.
- D326,885 S 6/1992 Paul
- 5,158,296 A 10/1992 Lee
- 5,176,384 A 1/1993 Sata et al.
- 5,213,328 A 5/1993 Long et al.
- 5,213,329 A 5/1993 Okumoto et al.
- D336,672 S 6/1993 Gorman
- D344,561 S 2/1994 Gorman
- D351,883 S 10/1994 Solheim et al.
- D353,862 S 12/1994 Saito
- D357,520 S 4/1995 Helmstetter et al.
- 5,419,560 A 5/1995 Bamber
- 5,425,535 A 6/1995 Gee
- D361,358 S 8/1995 Simmons
- 5,447,311 A 9/1995 Viollaz et al.
- 5,451,056 A 9/1995 Manning
- D362,884 S 10/1995 Blough et al.
- D362,885 S 10/1995 Blough et al.
- D362,887 S 10/1995 Blough et al.
- 5,518,243 A * 5/1996 Redman A63B 53/04
473/334
- D370,514 S 6/1996 Blough et al.
- D371,816 S 7/1996 Yoshioka
- 5,540,437 A 7/1996 Bamber
- D378,111 S 2/1997 Parente et al.
- 5,637,045 A 6/1997 Igarashi



US D822,134 S

| | | | | | | |
|--------------|---------|-------------------|--------------|---------|-------------------|---------|
| D384,120 S | 9/1997 | De La Cruz et al. | D538,371 S * | 3/2007 | Kawami | D21/759 |
| 5,669,830 A | 9/1997 | Bamber | 7,186,190 B1 | 3/2007 | Beach et al. | |
| D389,541 S | 1/1998 | Huan-Chiang | 7,207,900 B2 | 4/2007 | Nicolette et al. | |
| D395,476 S | 6/1998 | Pond et al. | D543,601 S | 5/2007 | Kawami | |
| 5,766,091 A | 6/1998 | Humphrey et al. | 7,223,180 B2 | 5/2007 | Willett et al. | |
| 5,766,092 A | 6/1998 | Mimeur et al. | D552,193 S | 10/2007 | Schweigert et al. | |
| 5,788,584 A | 8/1998 | Parente et al. | D555,219 S | 11/2007 | Lin | |
| D399,277 S | 10/1998 | Ezaki | D556,287 S | 12/2007 | Jertson et al. | |
| 5,827,132 A | 10/1998 | Bamber | D557,363 S | 12/2007 | Jertson et al. | |
| D400,625 S | 11/1998 | Kubica et al. | D558,288 S | 12/2007 | Jertson et al. | |
| D400,627 S | 11/1998 | Kubica et al. | 7,303,486 B2 | 12/2007 | Imamoto | |
| D405,489 S | 2/1999 | Kubica et al. | D559,932 S | 1/2008 | Belmont | |
| D405,492 S | 2/1999 | Kubica et al. | D562,421 S | 2/2008 | Jertson et al. | |
| D408,485 S | 4/1999 | Takahashi et al. | D563,498 S | 3/2008 | Jertson et al. | |
| 5,899,821 A | 5/1999 | Hsu et al. | D564,054 S | 3/2008 | Jertson et al. | |
| 5,935,016 A | 8/1999 | Antonious | D564,055 S | 3/2008 | Jertson et al. | |
| D414,535 S | 9/1999 | Mertens | 7,338,388 B2 | 3/2008 | Schweigert et al. | |
| D421,080 S | 2/2000 | Chen | 7,347,794 B2 | 3/2008 | Schweigert | |
| D426,276 S | 6/2000 | Besnard et al. | D567,317 S | 4/2008 | Jertson et al. | |
| 6,077,171 A | 6/2000 | Yoneyama | 7,351,164 B2 | 4/2008 | Schweigert et al. | |
| D442,659 S | 5/2001 | Kubica et al. | D569,933 S | 5/2008 | Jertson et al. | |
| D443,008 S | 5/2001 | Kubica et al. | D569,934 S | 5/2008 | Jertson et al. | |
| D444,830 S | 7/2001 | Kubica et al. | D569,935 S | 5/2008 | Schweigert et al. | |
| D445,862 S | 7/2001 | Ford | D569,936 S | 5/2008 | Schweigert et al. | |
| 6,290,609 B1 | 9/2001 | Takeda | D569,942 S | 5/2008 | Jertson et al. | |
| D446,824 S | 10/2001 | Koizumi et al. | D570,937 S | 6/2008 | Schweigert et al. | |
| D449,866 S | 10/2001 | Miller | D570,938 S | 6/2008 | Jertson et al. | |
| D457,211 S | 5/2002 | Bakke | 7,410,425 B2 | 6/2008 | Willett et al. | |
| D469,833 S | 2/2003 | Roberts et al. | 7,396,299 B2 | 7/2008 | Nicolette et al. | |
| D473,605 S | 4/2003 | Petersen et al. | 7,407,447 B2 | 8/2008 | Beach et al. | |
| D475,107 S | 5/2003 | Madore | 7,410,426 B2 | 8/2008 | Willett et al. | |
| D476,048 S | 6/2003 | Cleveland et al. | 7,419,441 B2 | 9/2008 | Hoffman et al. | |
| D478,140 S | 6/2003 | Burrows | D579,507 S * | 10/2008 | Llewellyn | D21/759 |
| D478,949 S | 8/2003 | DeLaCruz | 7,448,963 B2 | 11/2008 | Beach et al. | |
| D481,087 S | 10/2003 | Antonious | 7,448,964 B2 | 11/2008 | Schweigert et al. | |
| 6,638,162 B2 | 10/2003 | Kosmatka | D584,370 S | 1/2009 | Cleveland et al. | |
| 6,695,714 B1 | 2/2004 | Bliss et al. | 7,530,904 B2 | 5/2009 | Beach et al. | |
| 6,702,693 B2 | 3/2004 | Bamber | D594,518 S | 6/2009 | Schweigert | |
| 6,773,360 B2 | 8/2004 | Willett et al. | D594,520 S | 6/2009 | Schweigert et al. | |
| 6,780,123 B2 | 8/2004 | Hasebe | D594,521 S | 6/2009 | Jertson et al. | |
| D497,963 S | 11/2004 | Toulon et al. | D594,919 S | 6/2009 | Schweigert et al. | |
| 6,811,496 B2 | 11/2004 | Wahl et al. | 7,540,811 B2 | 6/2009 | Beach et al. | |
| D499,779 S | 12/2004 | Mahaffey et al. | D597,620 S | 8/2009 | Taylor et al. | |
| D502,975 S | 3/2005 | Schweigert et al. | 7,568,985 B2 | 8/2009 | Beach et al. | |
| D503,204 S | 3/2005 | Nicolette et al. | 7,578,753 B2 | 8/2009 | Beach et al. | |
| D507,320 S | 7/2005 | Roberts et al. | D600,297 S | 9/2009 | Jertson et al. | |
| D508,545 S | 8/2005 | Roberts et al. | 7,584,531 B2 | 9/2009 | Schweigert et al. | |
| D508,969 S | 8/2005 | Hasebe | 7,588,502 B2 | 9/2009 | Nishino | |
| 6,923,733 B2 | 8/2005 | Chen | 7,591,738 B2 | 9/2009 | Beach et al. | |
| 6,939,247 B1 | 9/2005 | Schweigert et al. | D603,472 S | 11/2009 | Schweigert et al. | |
| D513,051 S | 12/2005 | Barez et al. | D604,783 S | 11/2009 | Nicolette et al. | |
| D514,179 S | 1/2006 | Chen et al. | 7,611,424 B2 | 11/2009 | Nagai et al. | |
| D514,183 S | 1/2006 | Schweigert et al. | 7,621,823 B2 | 11/2009 | Beach et al. | |
| D514,185 S | 1/2006 | Barez et al. | D605,715 S | 12/2009 | Barez et al. | |
| D516,650 S | 3/2006 | Wolfe et al. | D606,605 S | 12/2009 | Wada et al. | |
| D518,863 S | 4/2006 | Motoyoshi et al. | D607,070 S | 12/2009 | Wada et al. | |
| D520,585 S | 5/2006 | Hasebe | D607,071 S | 12/2009 | Wada et al. | |
| D520,586 S | 5/2006 | Bingman | 7,632,194 B2 | 12/2009 | Beach et al. | |
| D522,077 S | 5/2006 | Schweigert et al. | 7,658,686 B2 | 2/2010 | Soracco | |
| D522,601 S | 6/2006 | Schweigert et al. | D612,438 S | 3/2010 | Carlyle et al. | |
| D523,104 S * | 6/2006 | Hasebe | D612,439 S | 3/2010 | Carlyle et al. | D21/752 |
| D523,498 S | 6/2006 | Chen et al. | 7,713,142 B2 | 5/2010 | Hoffman et al. | |
| D523,501 S | 6/2006 | Nicolette et al. | 7,717,804 B2 | 5/2010 | Beach et al. | |
| D523,917 S | 6/2006 | Wolfe et al. | 7,717,805 B2 | 5/2010 | Beach et al. | |
| D524,889 S | 7/2006 | Yu et al. | D617,406 S | 6/2010 | Carlyle et al. | |
| D526,372 S * | 8/2006 | Kohno | D618,293 S | 6/2010 | Foster et al. | D21/759 |
| D526,694 S | 8/2006 | Schweigert et al. | D618,746 S | 6/2010 | Jertson et al. | |
| 7,121,956 B2 | 10/2006 | Lo | D618,747 S | 6/2010 | Schweigert et al. | |
| 7,128,663 B2 | 10/2006 | Bamber | D618,753 S | 6/2010 | Jertson et al. | |
| D534,595 S | 1/2007 | Hasebe | D618,754 S | 6/2010 | Schweigert et al. | |
| D534,599 S | 1/2007 | Barez et al. | 7,744,484 B1 | 6/2010 | Chao | |
| 7,156,751 B2 | 1/2007 | Wahl et al. | D621,893 S | 8/2010 | Nicolette et al. | |
| 7,166,040 B2 | 1/2007 | Hoffman et al. | 7,798,203 B2 | 9/2010 | Schweigert et al. | |
| D536,401 S * | 2/2007 | Kawami | 7,798,917 B2 | 9/2010 | Nguyen et al. | D21/759 |
| D536,402 S * | 2/2007 | Kawami | 7,815,521 B2 | 10/2010 | Ban et al. | D21/759 |
| D536,403 S * | 2/2007 | Kawami | 7,846,040 B2 | 12/2010 | Ban | D21/759 |
| D537,495 S | 2/2007 | Schweigert et al. | 7,846,041 B2 | 12/2010 | Beach et al. | |
| 7,182,698 B2 | 2/2007 | Tseng | D633,967 S | 3/2011 | Carlyle et al. | |
| D538,363 S | 3/2007 | Schweigert et al. | D635,626 S | 4/2011 | Nicolette | |

| | | | | | | |
|----------------|---------|-------------------|-----------------|---------|-------------------|---------|
| 7,927,229 B2 | 4/2011 | Jertson et al. | D802,069 S * | 11/2017 | Parsons | D21/752 |
| D638,893 S | 5/2011 | Schweigert et al. | 2002/0107087 A1 | 8/2002 | Fagot | |
| D638,896 S | 5/2011 | Schweigert et al. | 2003/0139226 A1 | 7/2003 | Cheng et al. | |
| 7,938,738 B2 | 5/2011 | Roach | 2003/0176231 A1 | 9/2003 | Hasebe | |
| 7,963,861 B2 | 6/2011 | Beach et al. | 2004/0204263 A1 | 10/2004 | Fagot et al. | |
| D643,490 S | 8/2011 | Wada et al. | 2005/0009632 A1 | 1/2005 | Schweigert et al. | |
| 8,012,038 B1 | 9/2011 | Beach et al. | 2005/0014573 A1 | 1/2005 | Lee | |
| D647,585 S | 10/2011 | Jertson et al. | 2005/0119066 A1 | 6/2005 | Stites et al. | |
| 8,062,150 B2 | 11/2011 | Gilbert et al. | 2005/0239569 A1 | 10/2005 | Best et al. | |
| 8,088,025 B2 | 1/2012 | Wahl et al. | 2005/0277485 A1 | 12/2005 | Hou et al. | |
| 8,092,319 B1 | 1/2012 | Cackett et al. | 2006/0105856 A1 | 5/2006 | Lo | |
| 8,105,180 B1 | 1/2012 | Cackett et al. | 2006/0111200 A1 | 5/2006 | Poynor | |
| D658,248 S | 4/2012 | Nunez et al. | 2007/0032308 A1 | 2/2007 | Fagot et al. | |
| D661,751 S | 6/2012 | Nicolette et al. | 2007/0225084 A1 | 9/2007 | Schweigert et al. | |
| D661,756 S | 6/2012 | Nicolette et al. | 2007/0293344 A1 | 12/2007 | Davis | |
| 8,221,262 B1 | 7/2012 | Cackett et al. | 2008/0004133 A1 | 1/2008 | Schweigert | |
| 8,246,487 B1 | 8/2012 | Cackett et al. | 2008/0058113 A1 | 3/2008 | Nicolette et al. | |
| 8,257,196 B1 | 9/2012 | Abbott et al. | 2008/0188322 A1 | 8/2008 | Anderson et al. | |
| 8,257,197 B2 | 9/2012 | Schweigert | 2008/0300065 A1 | 12/2008 | Schweigert | |
| 8,262,506 B2 | 9/2012 | Watson et al. | 2009/0029790 A1 | 1/2009 | Nicolette et al. | |
| 8,328,662 B2 | 12/2012 | Nakamura et al. | 2009/0029795 A1 | 1/2009 | Schweigert et al. | |
| D673,630 S | 1/2013 | Schweigert | 2010/0130306 A1 | 5/2010 | Schweigert | |
| D673,632 S | 1/2013 | Schweigert et al. | 2010/0144461 A1 | 6/2010 | Ban | |
| 8,371,957 B2 | 2/2013 | Schweigert et al. | 2010/0178999 A1 | 7/2010 | Nicolette et al. | |
| 8,376,878 B2 | 2/2013 | Bennett et al. | 2011/0111883 A1 | 5/2011 | Cackett | |
| D680,179 S | 4/2013 | Solheim et al. | 2011/0143858 A1 | 6/2011 | Peralta et al. | |
| D681,142 S | 4/2013 | Fossum et al. | 2011/0165963 A1 | 7/2011 | Cackett et al. | |
| 8,414,422 B2 | 4/2013 | Peralta et al. | 2011/0269567 A1 | 11/2011 | Ban et al. | |
| 8,485,919 B2 | 7/2013 | Rice et al. | 2011/0294596 A1 | 12/2011 | Ban | |
| 8,506,420 B2 | 8/2013 | Hocknell et al. | 2012/0202615 A1 | 8/2012 | Beach et al. | |
| D689,156 S | 9/2013 | Stokke et al. | 2013/0137532 A1 | 5/2013 | Deshmukh et al. | |
| D691,230 S | 10/2013 | Chen et al. | 2013/0225319 A1 | 8/2013 | Kato | |
| 8,545,343 B2 | 10/2013 | Boyd et al. | 2013/0281226 A1 | 10/2013 | Ban | |
| 8,562,457 B2 | 10/2013 | Beach et al. | 2013/0288823 A1 | 10/2013 | Hebreo | |
| 8,574,094 B2 | 11/2013 | Nicolette et al. | 2013/0303303 A1 | 11/2013 | Ban | |
| 8,608,587 B2 | 12/2013 | Henrikson et al. | 2013/0303304 A1 | 11/2013 | Sato | |
| 8,628,431 B2 | 1/2014 | Schweigert et al. | 2013/0310192 A1 | 11/2013 | Wahl et al. | |
| 8,657,700 B2 | 2/2014 | Nicolette et al. | 2014/0080621 A1 | 3/2014 | Nicolette et al. | |
| 8,663,026 B2 | 3/2014 | Blowers et al. | 2014/0128175 A1 | 5/2014 | Jertson et al. | |
| 8,690,710 B2 | 4/2014 | Nicolette et al. | 2014/0274441 A1 | 9/2014 | Greer | |
| D707,316 S | 6/2014 | Aguayo et al. | 2014/0274451 A1 | 9/2014 | Knight et al. | |
| D707,317 S | 6/2014 | Aguayo et al. | 2015/0231454 A1 | 8/2015 | Parsons et al. | |
| 8,753,230 B2 | 6/2014 | Stokke et al. | 2015/0231806 A1 | 8/2015 | Parsons et al. | |
| 8,777,778 B2 | 7/2014 | Solheim et al. | | | | |
| 8,784,232 B2 | 7/2014 | Jertson et al. | | | | |
| 8,790,196 B2 | 7/2014 | Solheim et al. | | | | |
| 8,808,108 B2 | 8/2014 | Schweigert | | | | |
| D712,989 S | 9/2014 | Gillig | | | | |
| 8,627,833 B2 | 9/2014 | Amano et al. | | | | |
| 8,826,512 B2 | 9/2014 | Schweigert | | | | |
| 8,827,832 B2 | 9/2014 | Breier et al. | | | | |
| 8,845,455 B2 | 9/2014 | Ban et al. | | | | |
| D714,894 S | 10/2014 | Tang et al. | | | | |
| D716,387 S | 10/2014 | Aguayo et al. | | | | |
| D716,388 S | 10/2014 | Aguayo et al. | | | | |
| 8,858,362 B1 | 10/2014 | Leposky et al. | | | | |
| D721,544 S | 1/2015 | Hollander | | | | |
| D722,352 S | 2/2015 | Nicolette et al. | | | | |
| D723,120 S | 2/2015 | Nicolette | | | | |
| 8,961,336 B1 | 2/2015 | Parsons et al. | | | | |
| D724,164 S | 3/2015 | Schweigert et al. | | | | |
| D726,265 S | 4/2015 | Nicolette | | | | |
| D729,892 S * | 5/2015 | Nicolette | D21/752 | | | |
| D733,234 S | 6/2015 | Nicolette | | | | |
| 9,199,140 B1 | 12/2015 | Schweigert et al. | | | | |
| 9,199,143 B1 | 12/2015 | Parsons et al. | | | | |
| D748,214 S | 1/2016 | Nicolette et al. | | | | |
| D748,749 S | 2/2016 | Nicolette et al. | | | | |
| D753,251 S | 4/2016 | Schweigert et al. | | | | |
| D755,319 S * | 5/2016 | Nicolette | D21/759 | | | |
| D756,471 S | 5/2016 | Nicolette et al. | | | | |
| 9,352,197 B2 | 5/2016 | Parsons et al. | | | | |
| D760,334 S | 6/2016 | Schweigert et al. | | | | |
| 9,399,158 B2 | 7/2016 | Parsons et al. | | | | |
| 9,421,437 B2 | 8/2016 | Parsons et al. | | | | |
| 9,427,634 B2 | 8/2016 | Parsons et al. | | | | |
| D776,216 S * | 1/2017 | Schweigert | D21/752 | | | |
| D777,858 S * | 1/2017 | Schweigert | D21/752 | | | |
| 9,555,295 B2 * | 1/2017 | Schweigert | A63B 53/0466 | | | |

OTHER PUBLICATIONS

International Search Report and Written Opinion issued in connection with corresponding application No. PCT/US2015/016666, dated May 14, 2015 (8 pages).

International Search Report and Written Opinion received in connection with PCT/US15/42484 dated Oct. 19, 2015 (12 pages).

International Search Report and Written Opinion received in connection with PCT Application PCTUS2015042282 dated Oct. 13, 2015 (12 pages).

Kozuchowski, Zak, “Callaway Mack Daddy 2 PM Grind Wedges” (<http://www.golfwrx.com/276203/callaway-mack-daddy-2-pm-grind-wedges/>), www.golfwrx.com, GolfWRX Holdings, LLC, published Jan. 21, 2015.

Wall, Jonathan, “Details: Phil’s Prototype Mack Daddy PM-Grind Wedge,” (<http://www.pgatour.com/equipmentreport/2015/01/21/callaway-wedge.html>), www.pgatour.com, PGA Tour, Inc., published Jan. 21, 2015.

U.S. Appl. No. 29/512,313, Nicolette, “Golf Club Head,” filed Dec. 18, 2014.

* cited by examiner

Primary Examiner — Mitchell I. Siegel

(57)

CLAIM

The ornamental design for a golf club head, as shown and described.

DESCRIPTION

FIG. 1 is a top perspective view of a golf club head;
FIG. 2 is a bottom perspective view of the golf club head of FIG. 1;

FIG. 3 is a front elevational view of the golf club head of FIG. 1;

FIG. 4 is a rear elevational view of the golf club head of FIG. 1;

FIG. 5 is a top view of the golf club head of FIG. 1;

FIG. 6 is a bottom view of the golf club head of FIG. 1;

FIG. 7 is a left side view of the golf club head of FIG. 1;

FIG. 8 is a right side view of the golf club head of FIG. 1;

FIG. 9 is a top perspective view of a second embodiment of a golf club head;

FIG. 10 is a bottom perspective view of the golf club head of FIG. 9;

FIG. 11 is a front elevational view of the golf club head of FIG. 9;

FIG. 12 is a rear elevational view of the golf club head of FIG. 9;

FIG. 13 is a top view of the golf club head of FIG. 9;

FIG. 14 is a bottom view of the golf club head of FIG. 9;

FIG. 15 is a left side view of the golf club head of FIG. 9;

FIG. 16 is a right side view of the golf club head of FIG. 9;
FIG. 17 is a top perspective view of a third embodiment of a golf club head;

FIG. 18 is a bottom perspective view of the golf club head of FIG. 17;

FIG. 19 is a front elevational view of the golf club head of FIG. 17;

FIG. 20 is a rear elevational view of the golf club head of FIG. 17;

FIG. 21 is a top view of the golf club head of FIG. 17;

FIG. 22 is a bottom view of the golf club head of FIG. 17;

FIG. 23 is a left side view of the golf club head of FIG. 17;
and,

FIG. 24 is a right side view of the golf club head of FIG. 17.

The broken lines are included for the purpose of illustration only. None of the broken lines forms part of the claimed design.

1 Claim, 21 Drawing Sheets

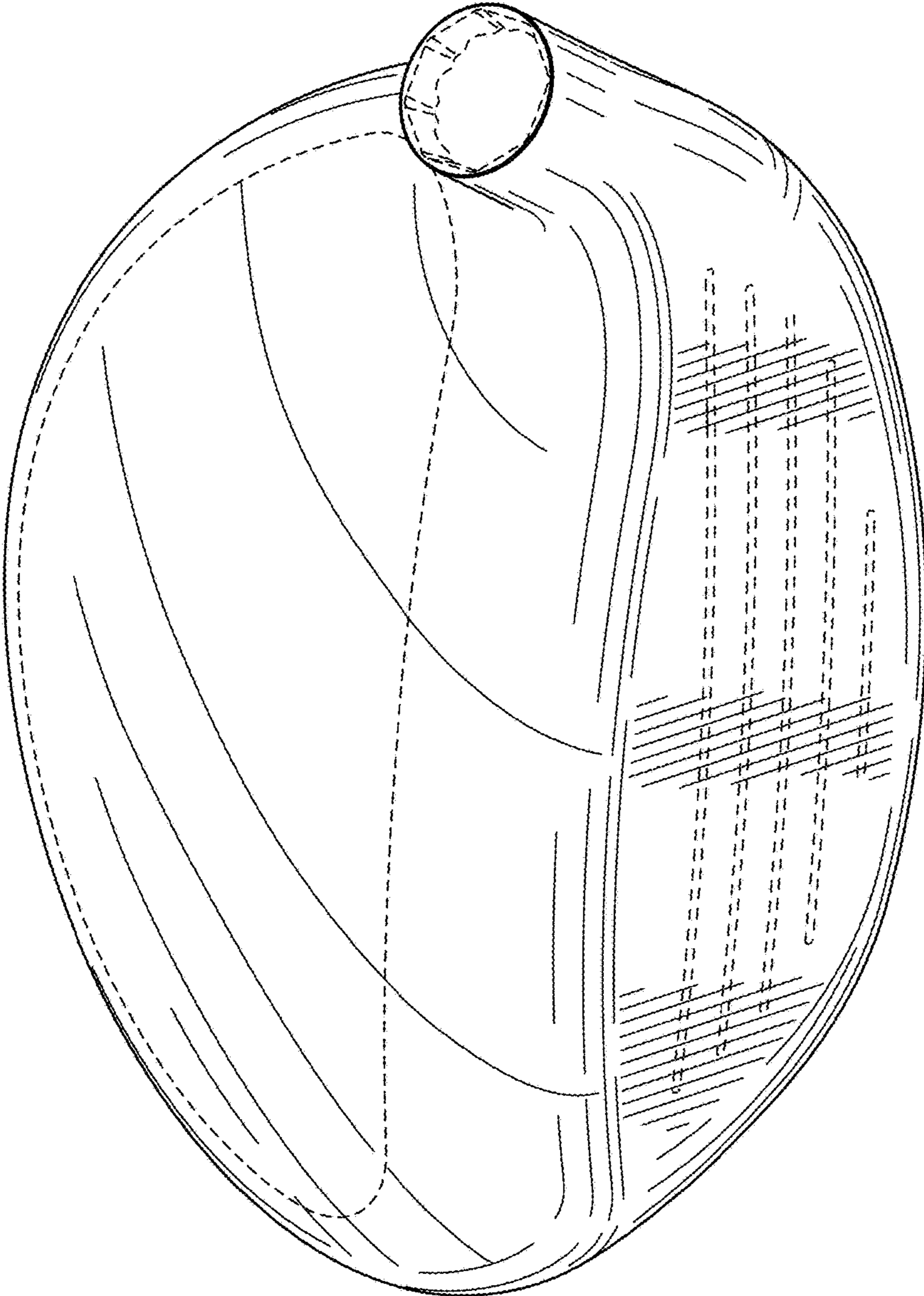


FIG. 1

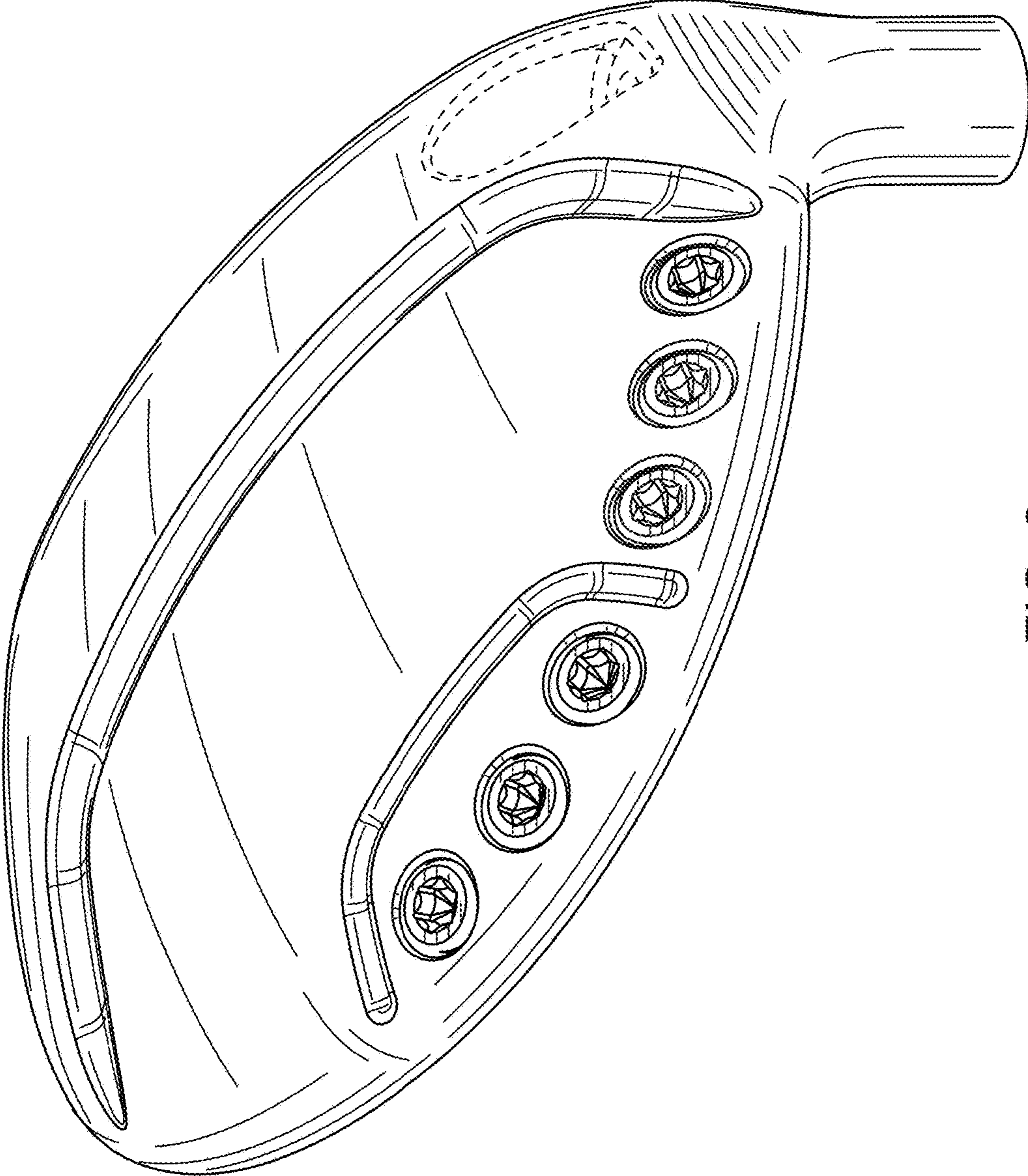


FIG. 2

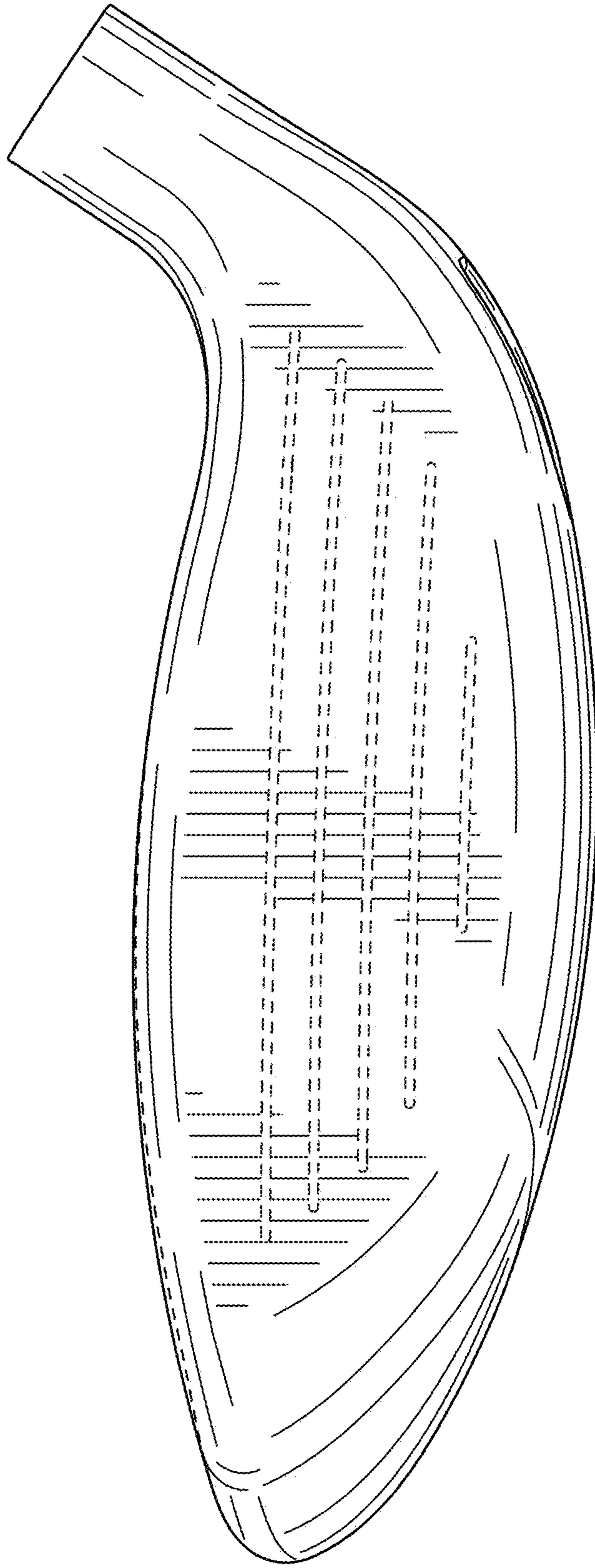


FIG. 3

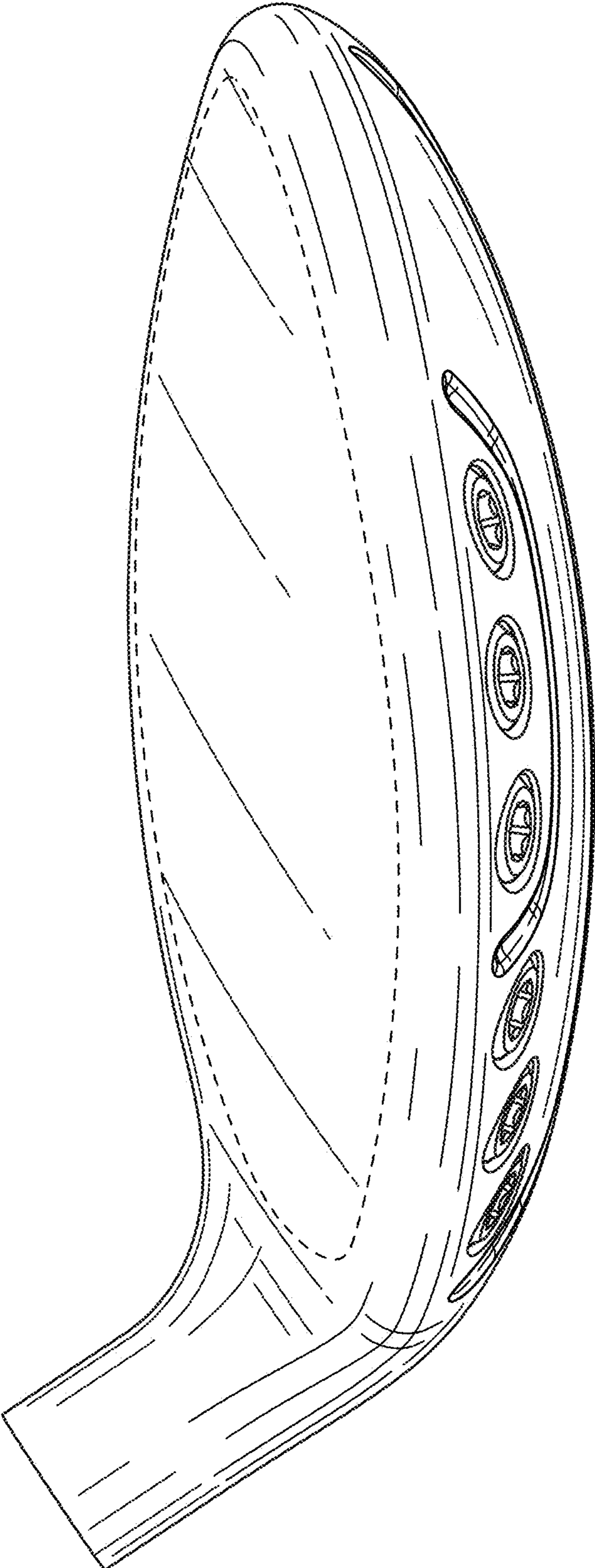


FIG. 4

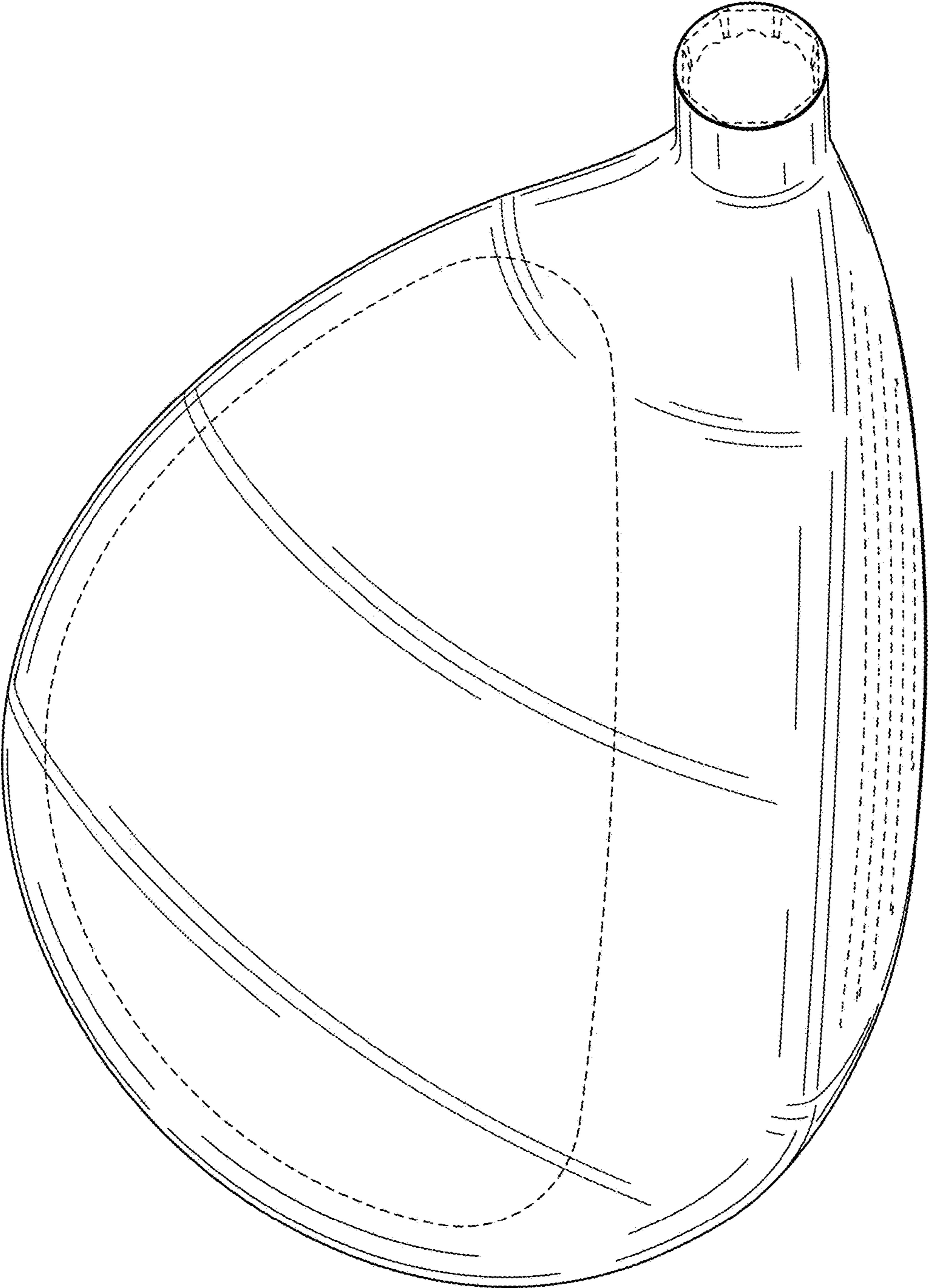


FIG. 5

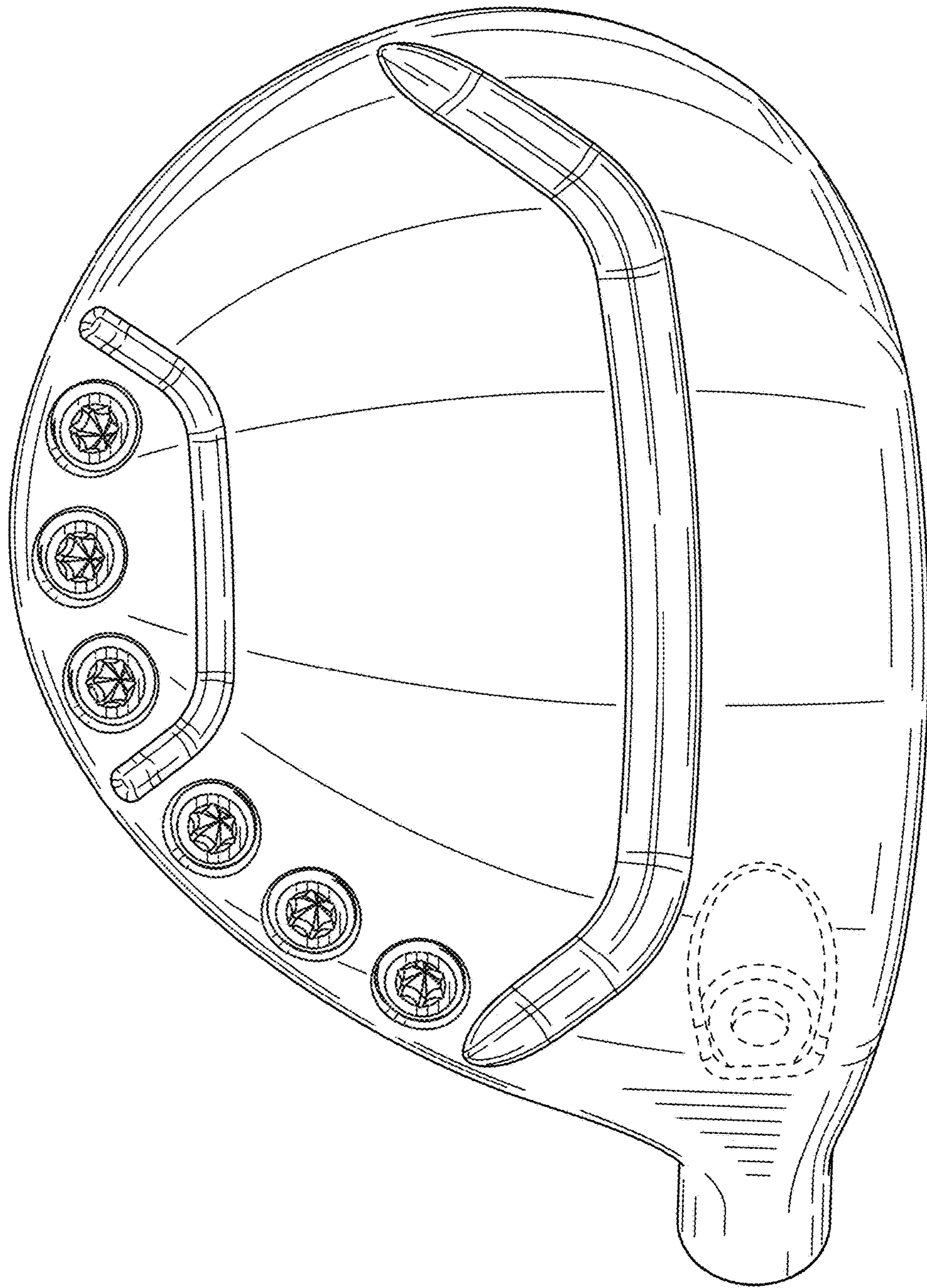


FIG. 6

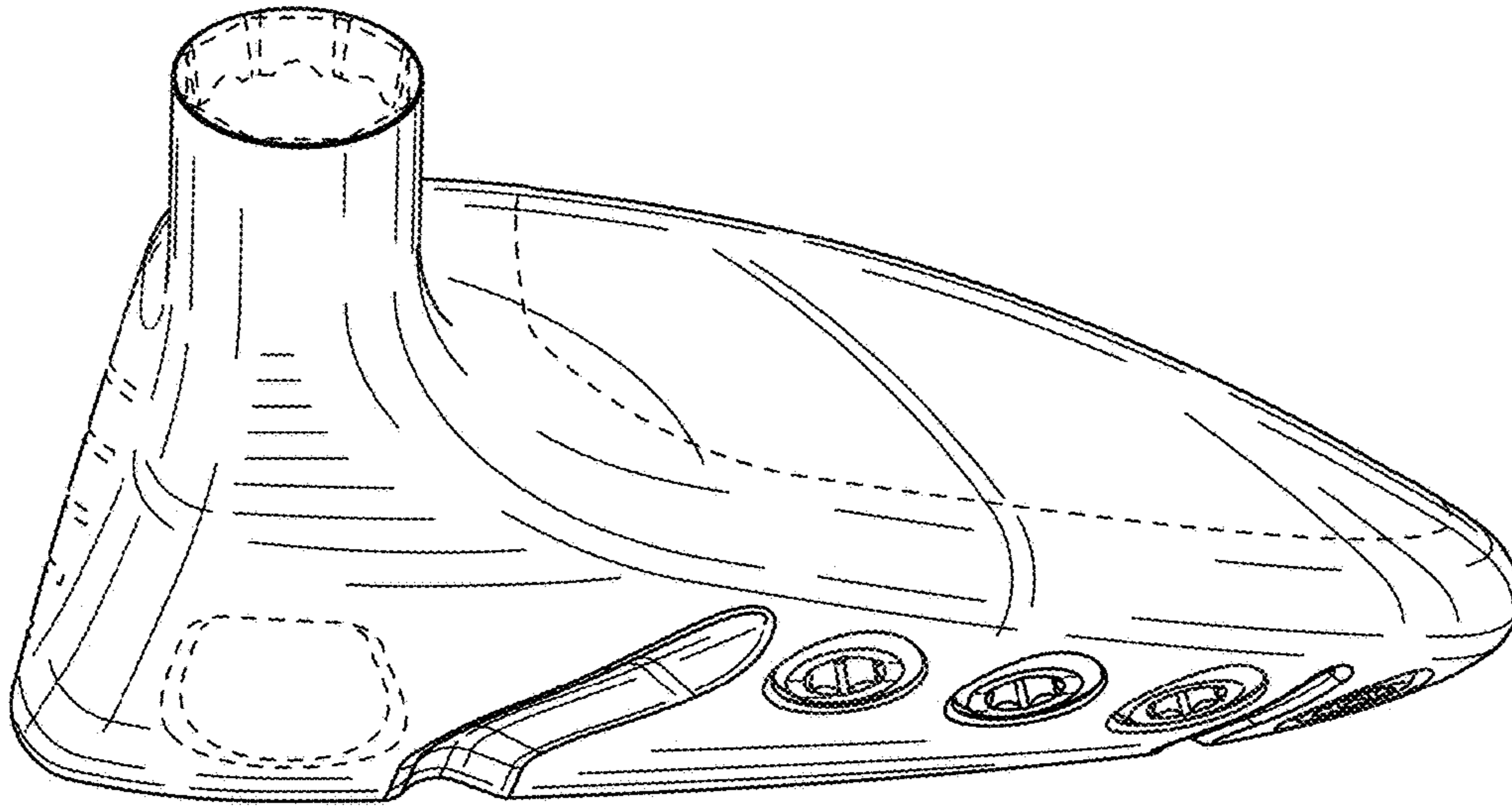


FIG. 7

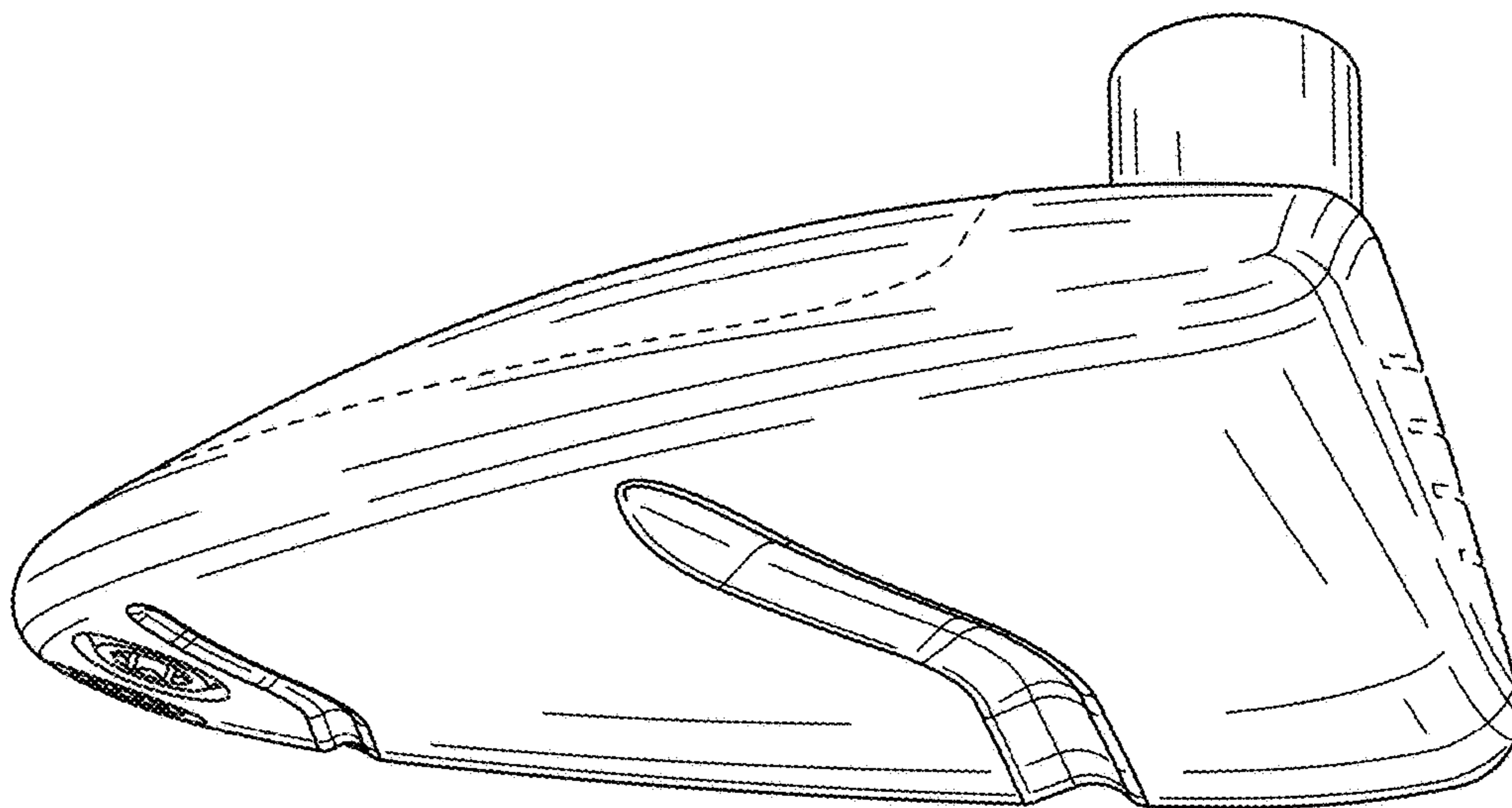


FIG. 8

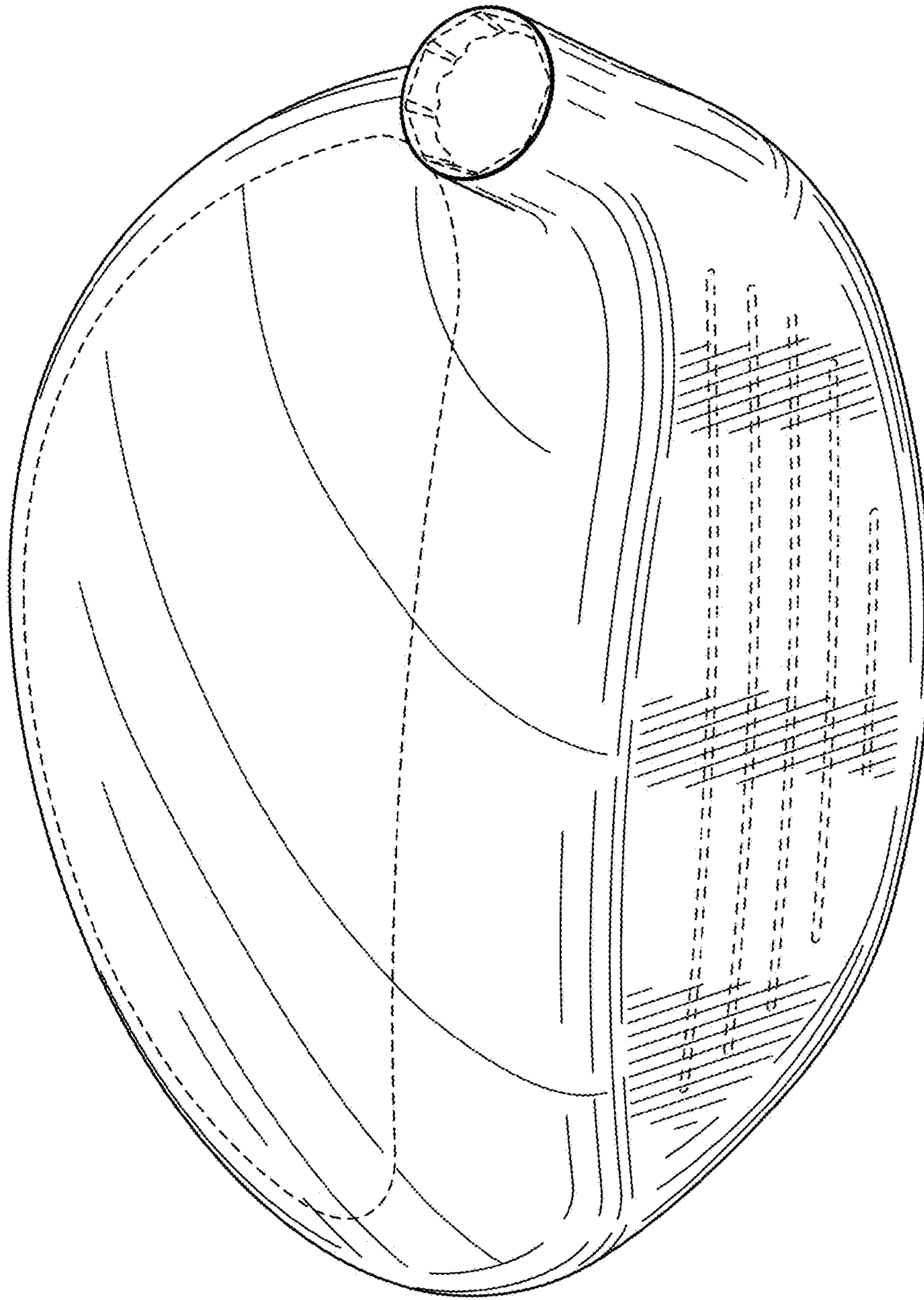


FIG. 9

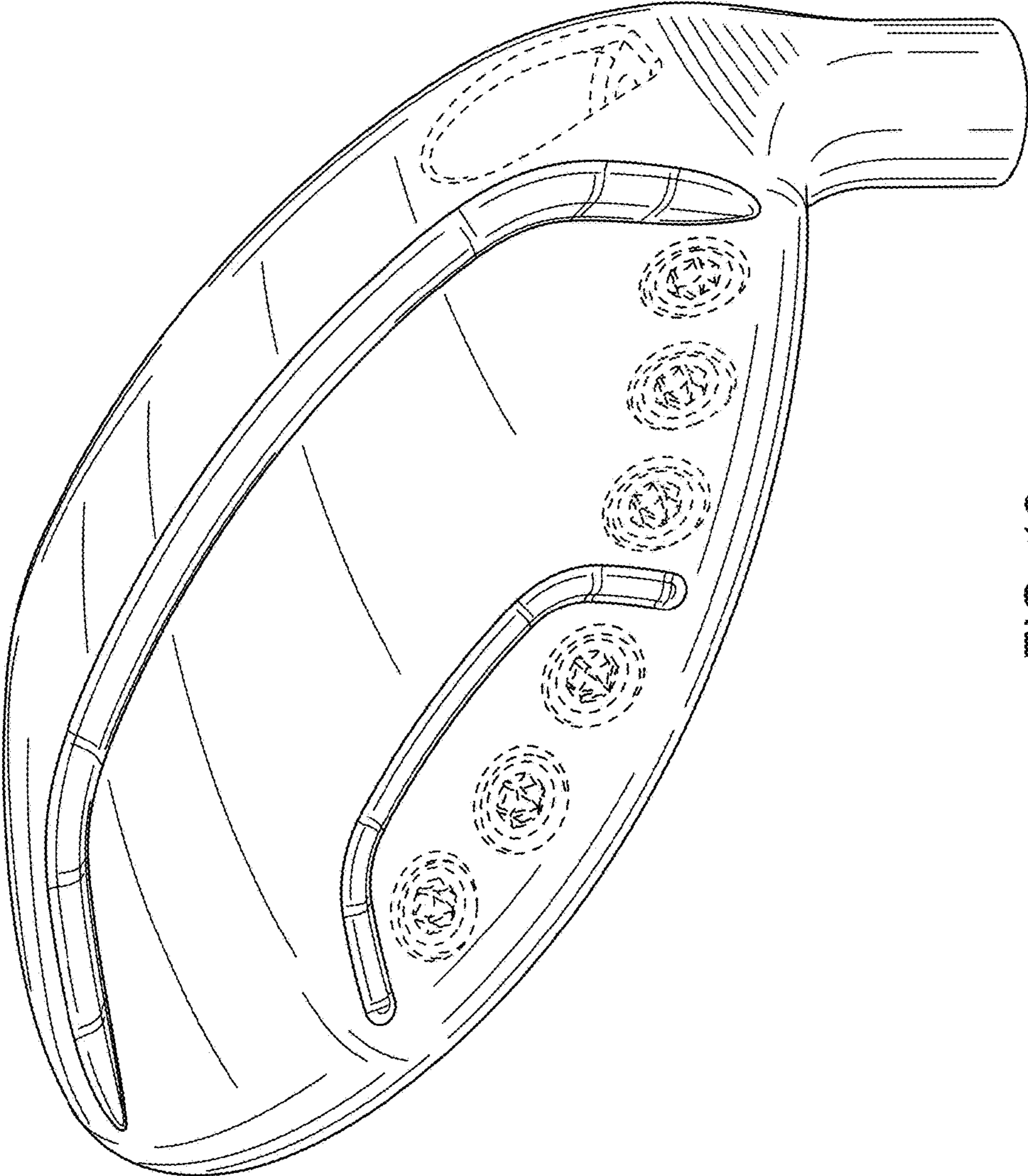


FIG. 10

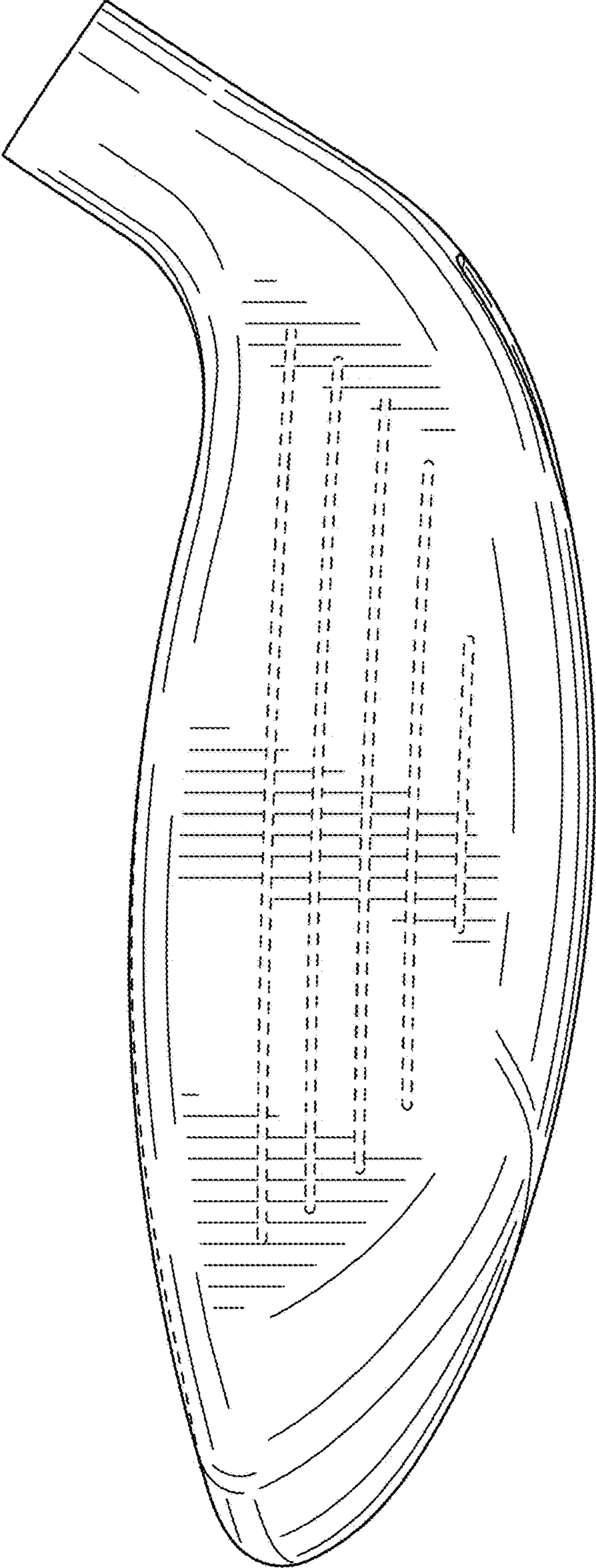


FIG. 11

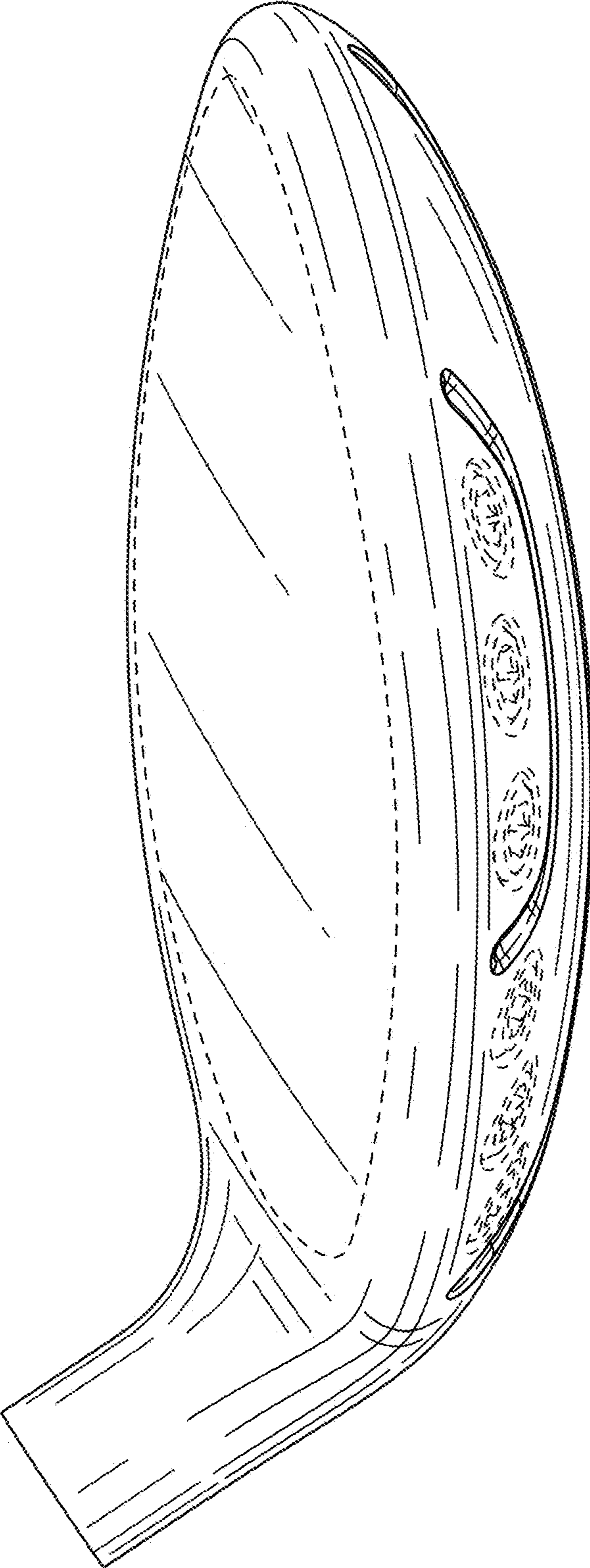


FIG. 12

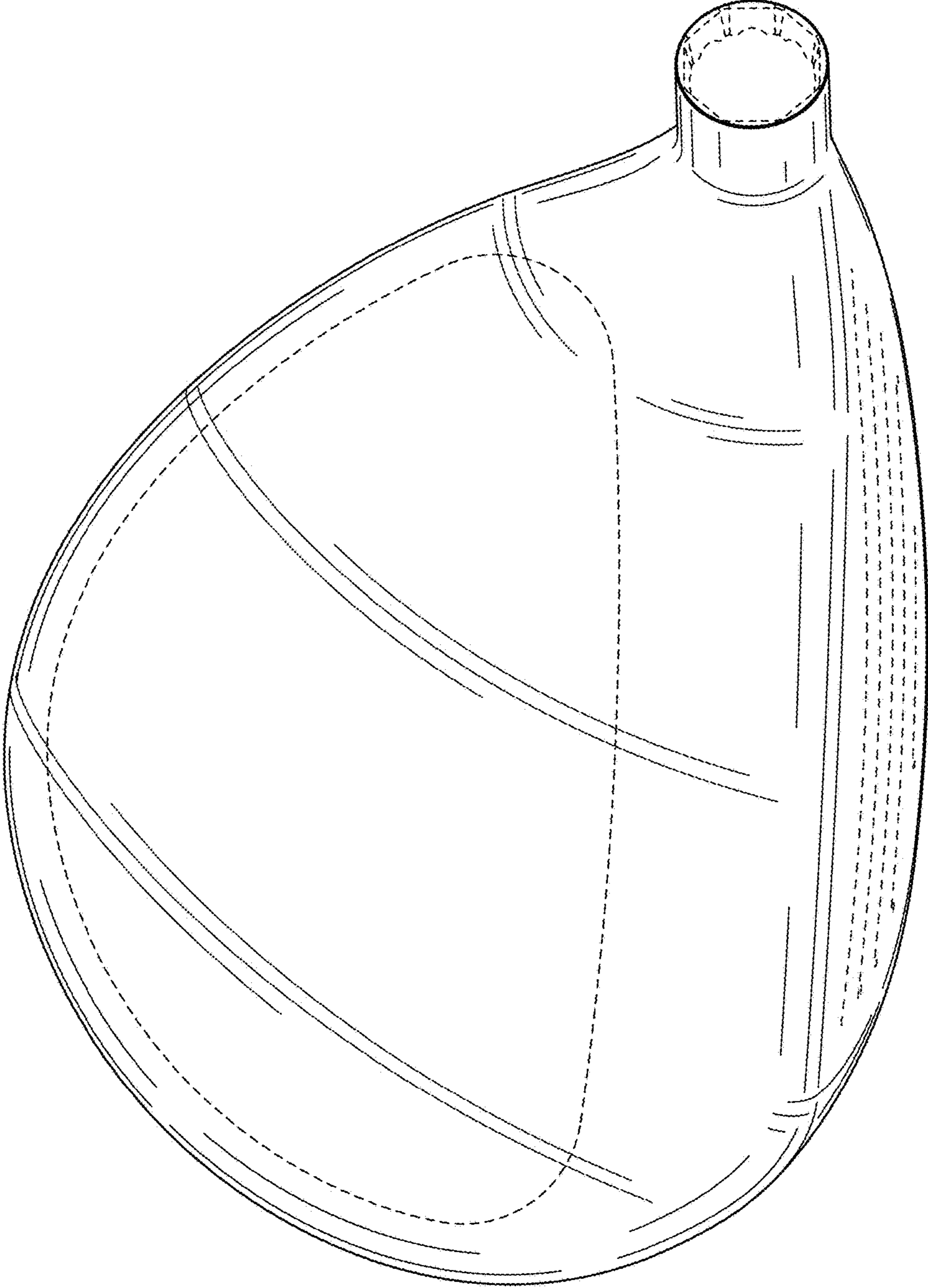


FIG. 13

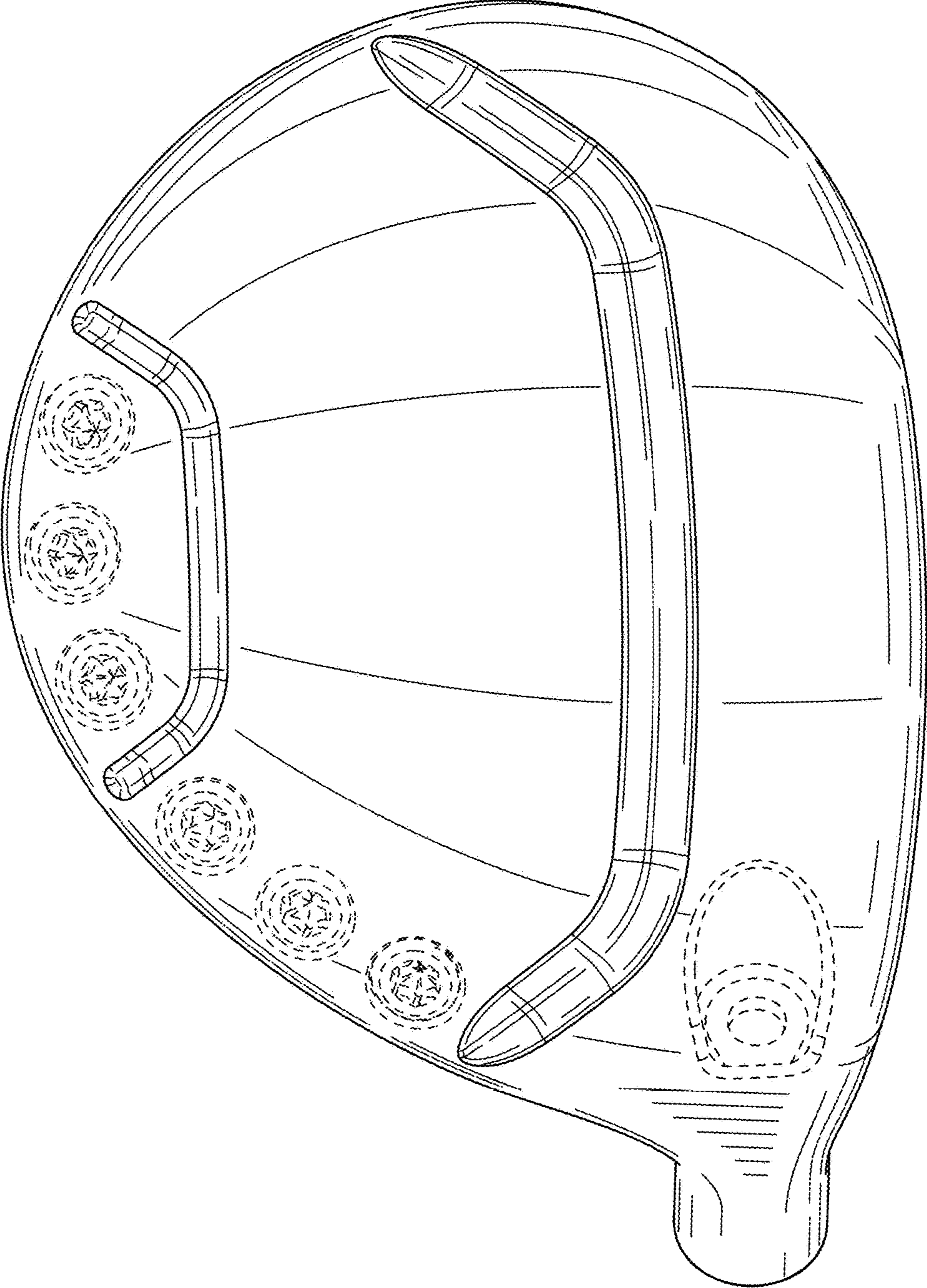


FIG. 14

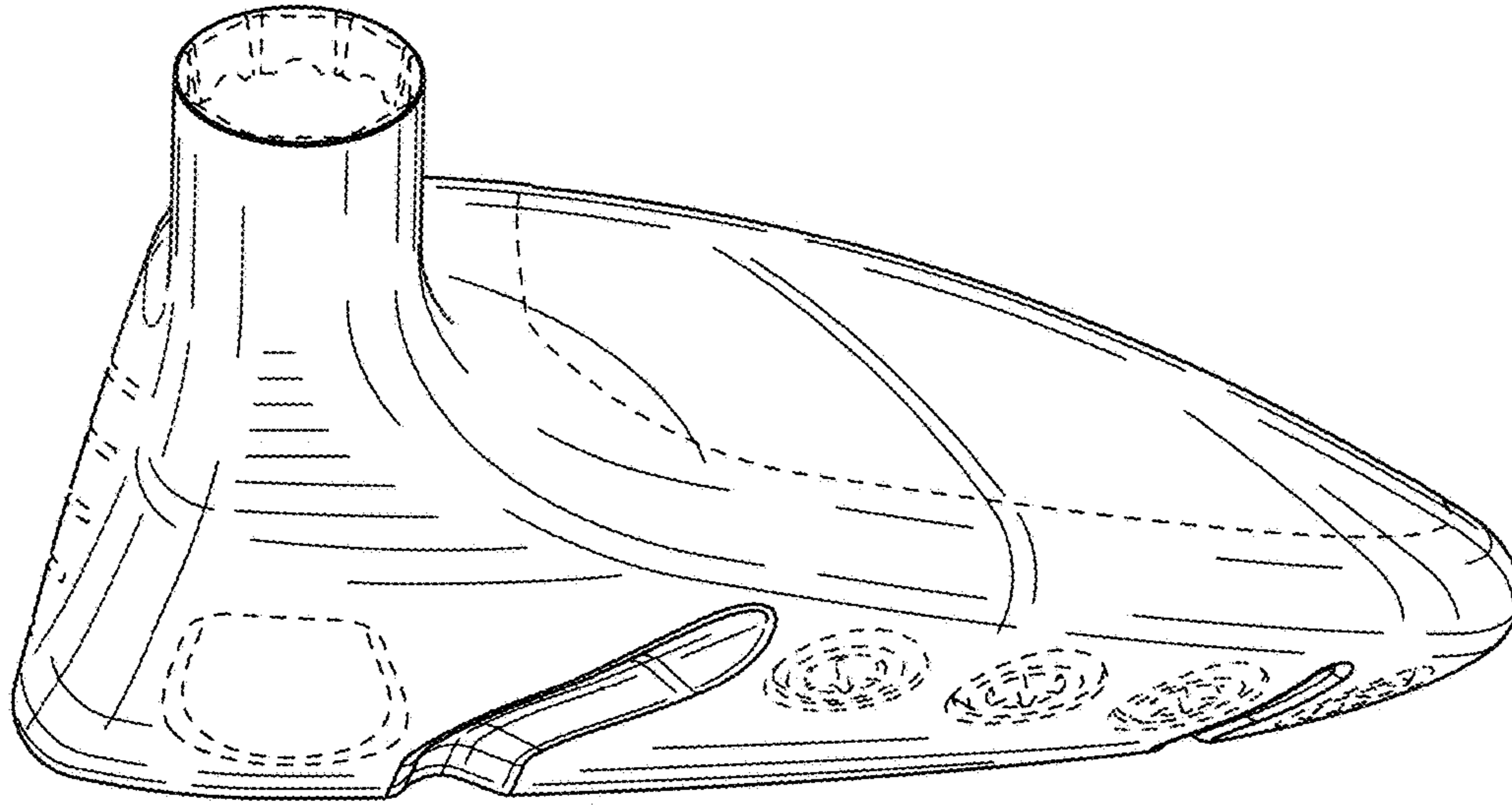


FIG. 15

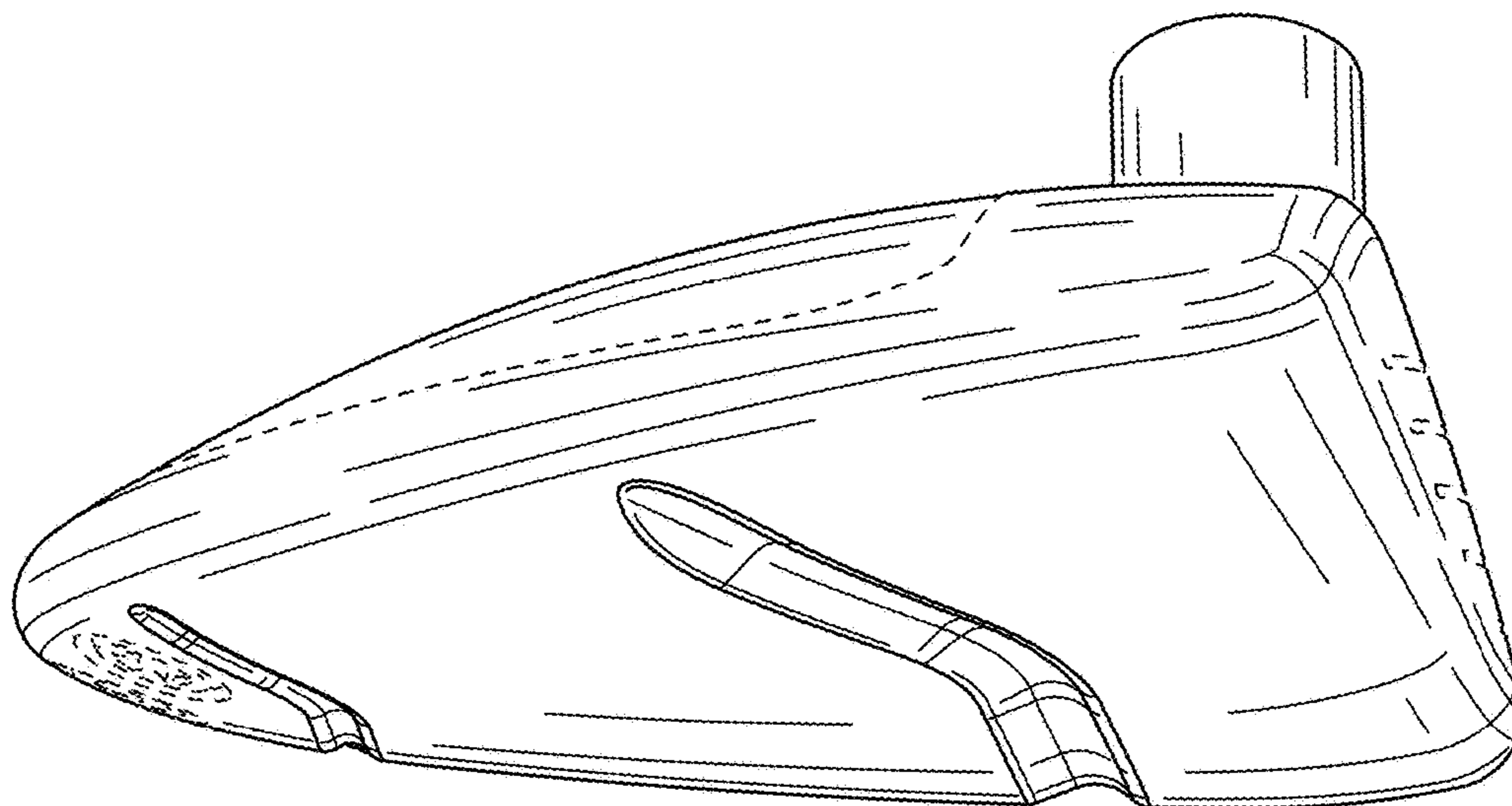


FIG. 16

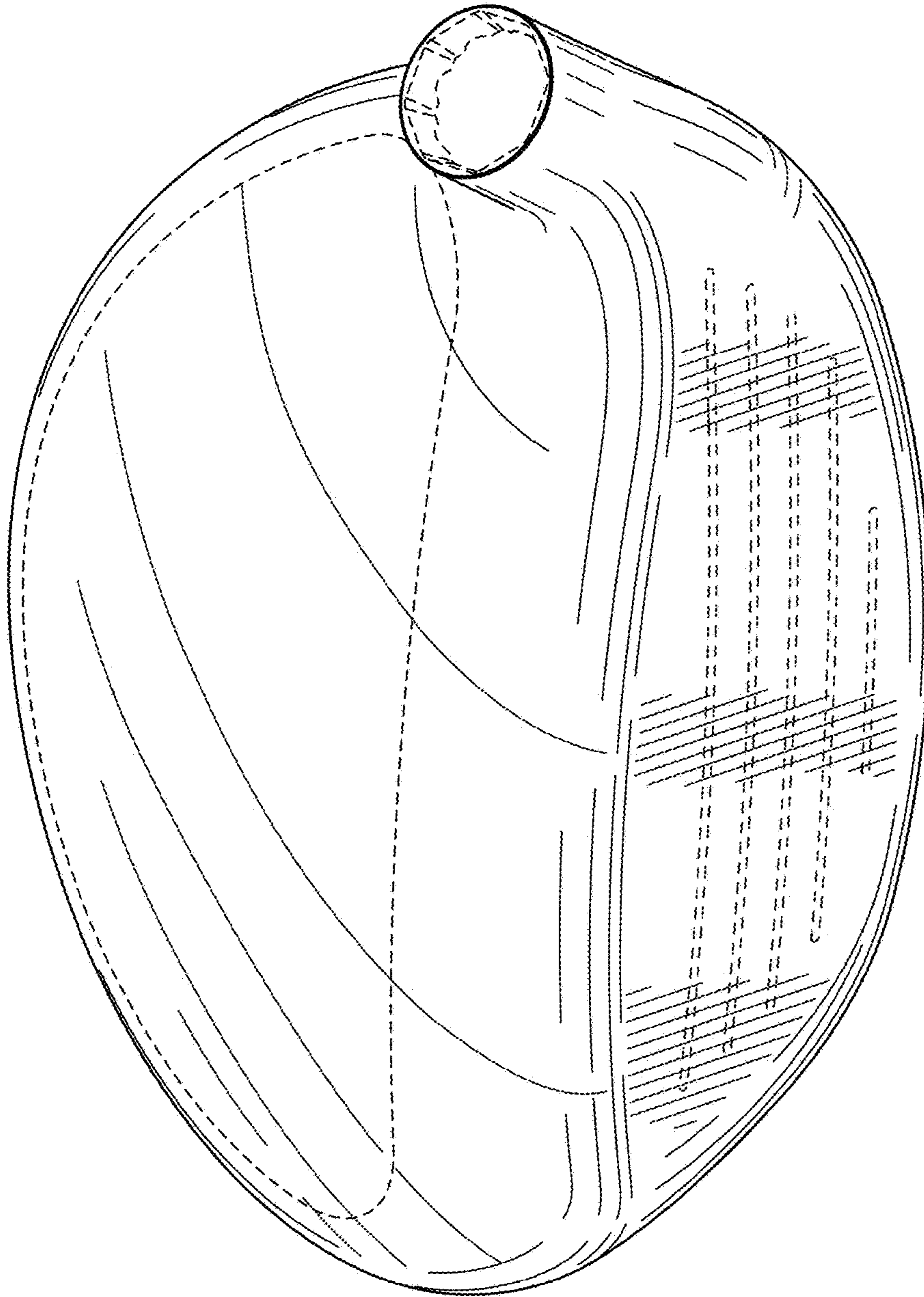


FIG. 17

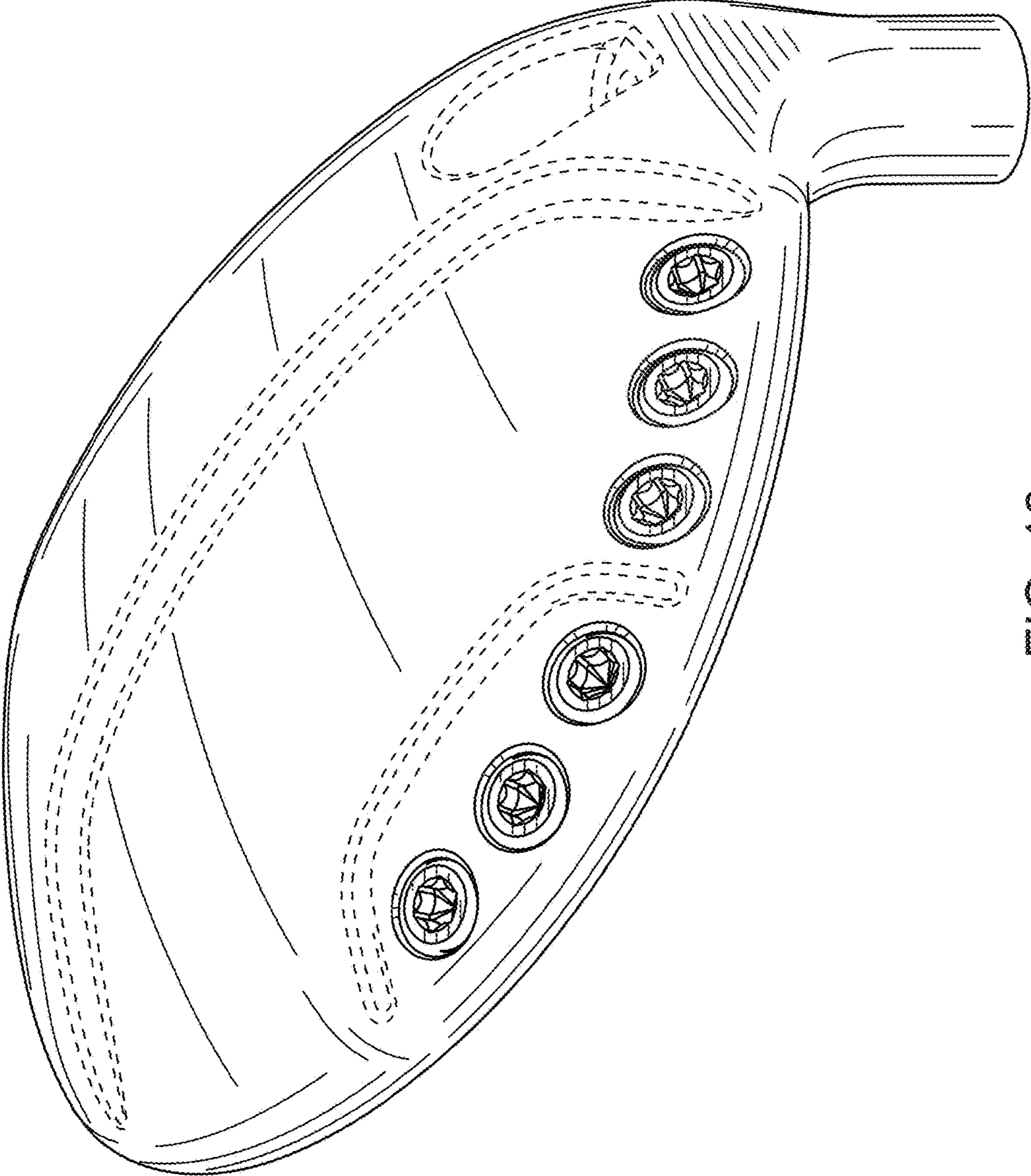


FIG. 18

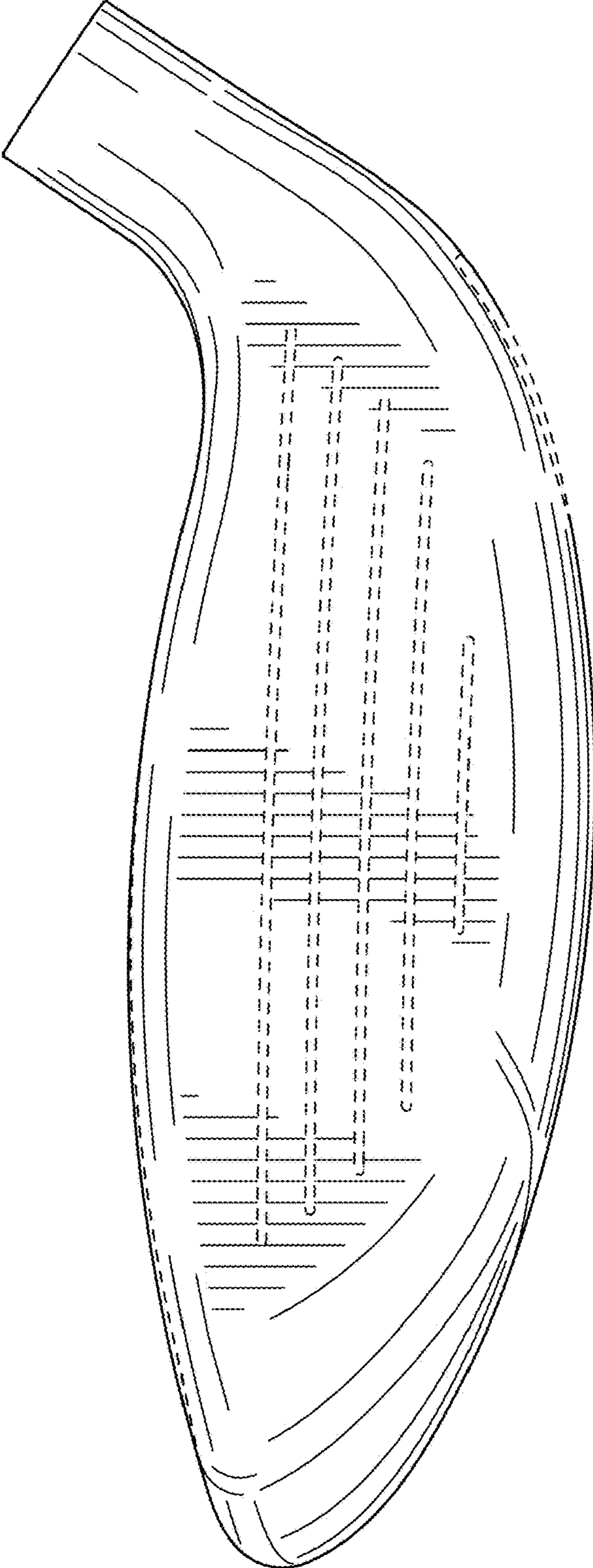


FIG. 19

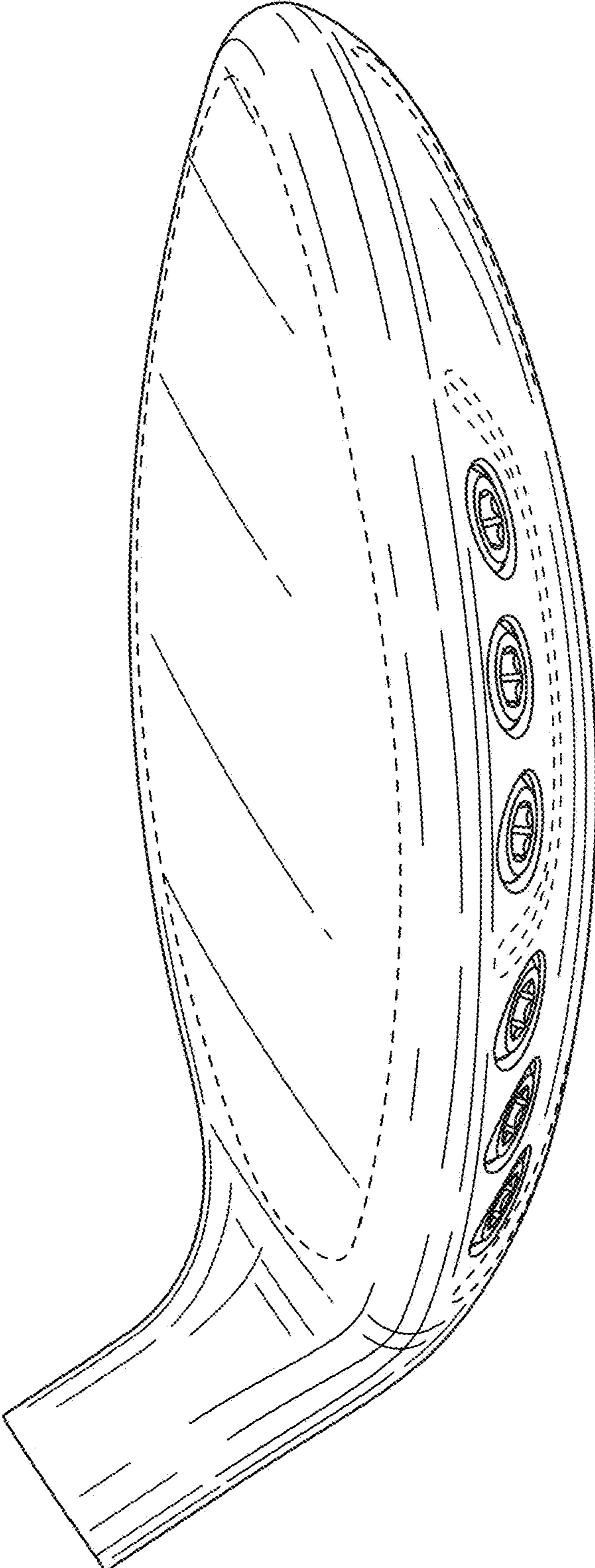


FIG. 20

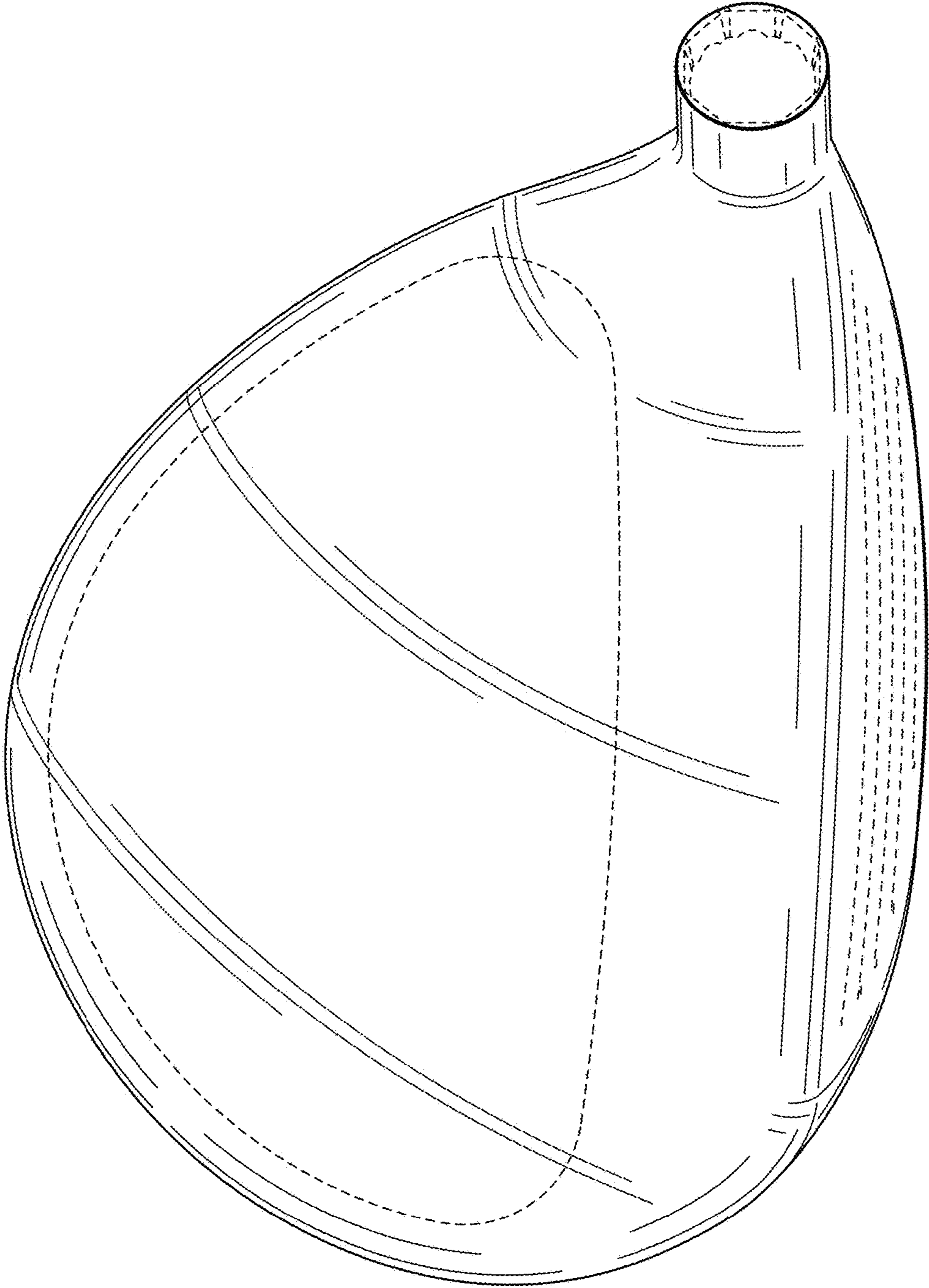


FIG. 21

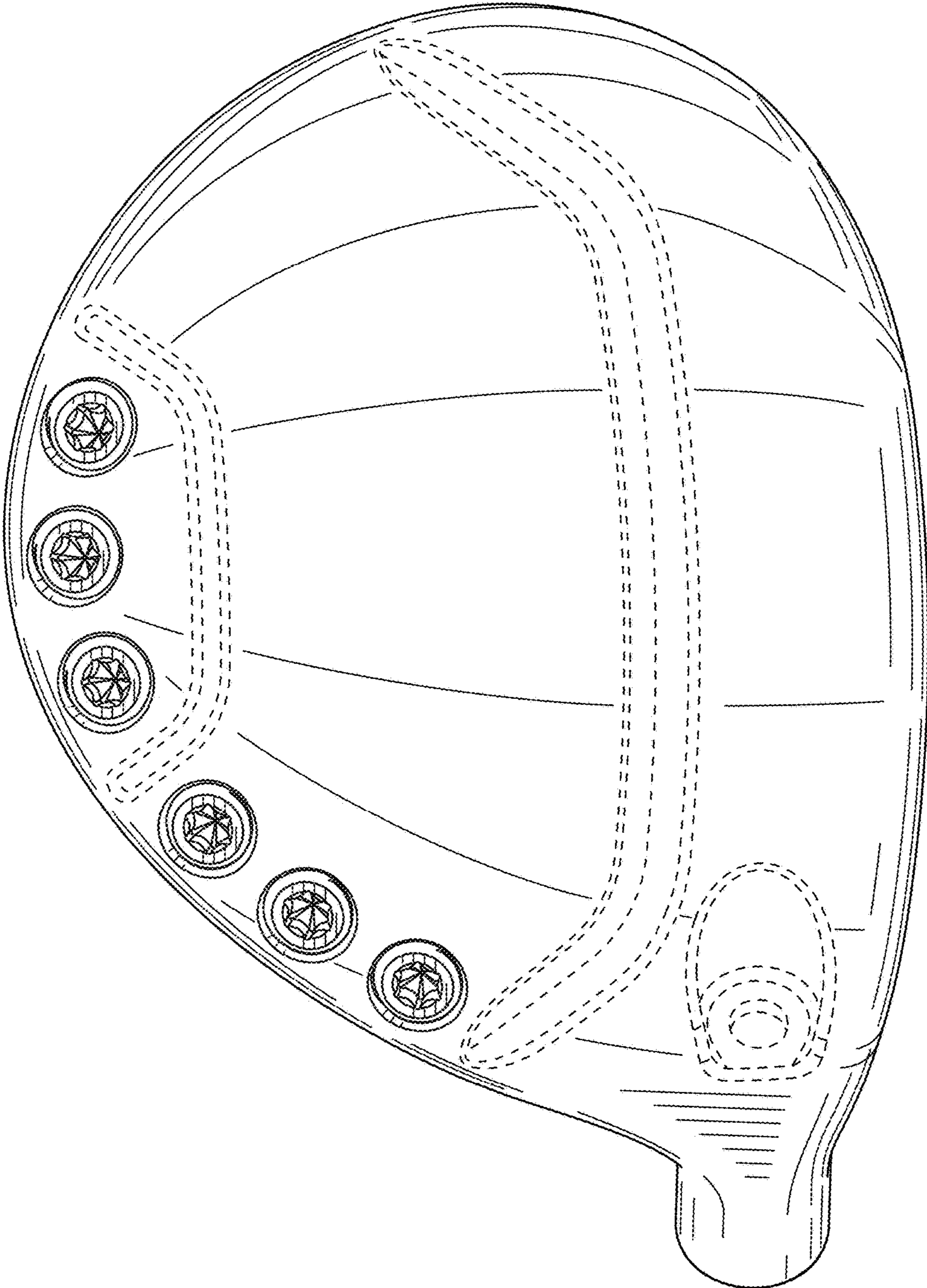


FIG. 22

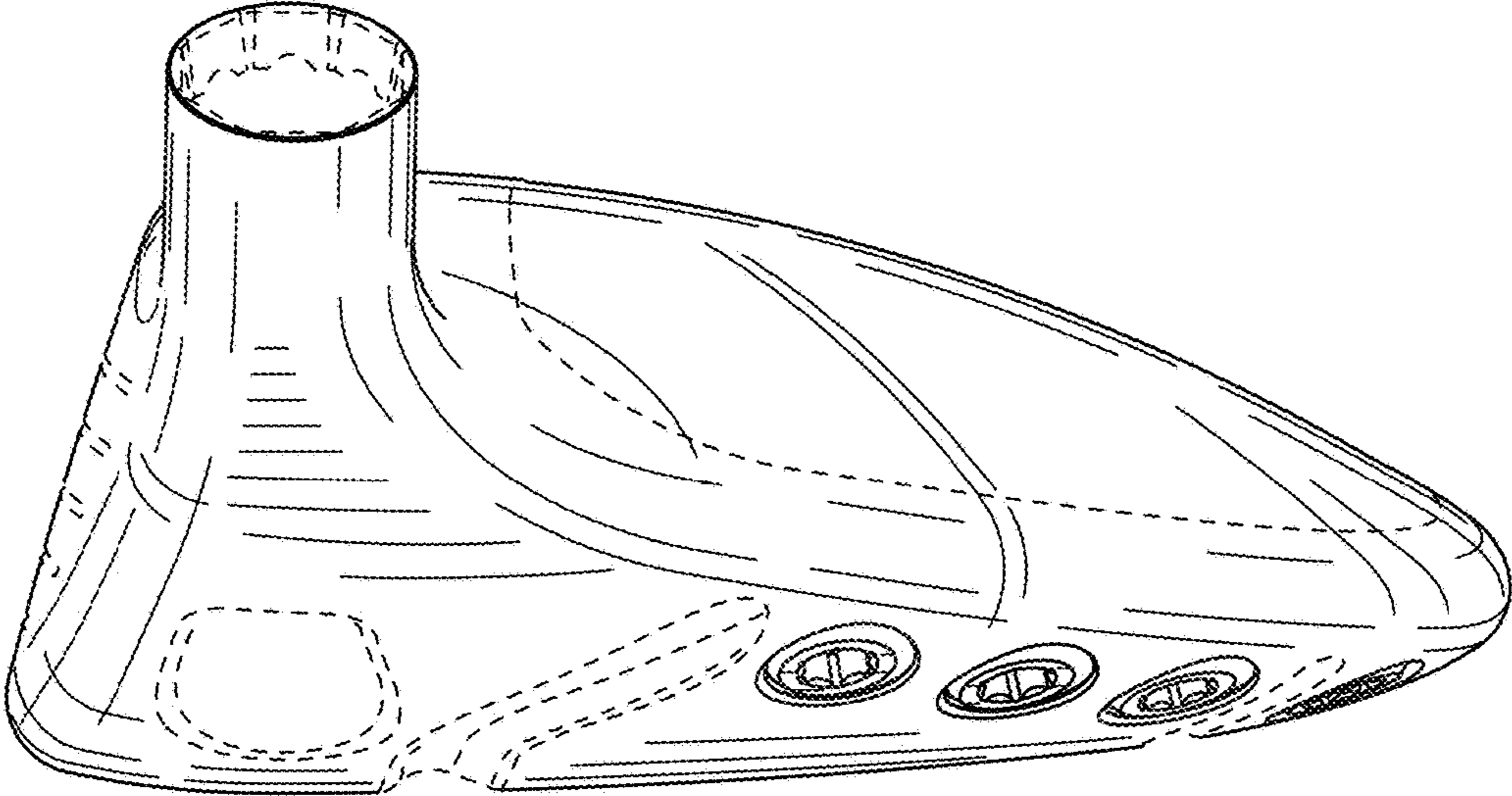


FIG. 23

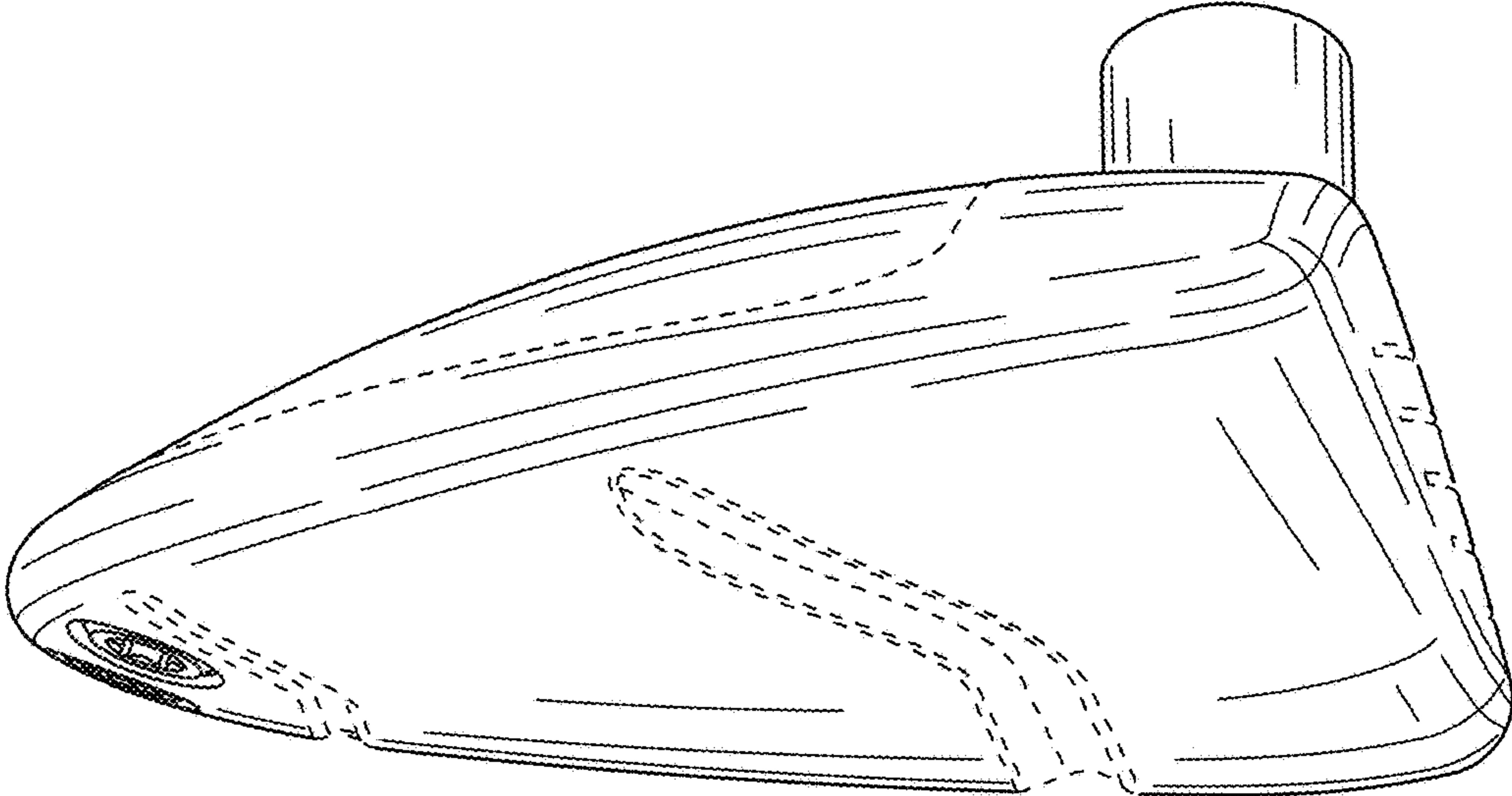


FIG. 24