

US00D822133S

(12) **United States Design Patent**
Feret, Jr.

(10) **Patent No.:** **US D822,133 S**

(45) **Date of Patent:** **** Jul. 3, 2018**

(54) **GOLF PUTTER**

(71) Applicant: **Valentine George Feret, Jr.**, Littleton,
CO (US)

(72) Inventor: **Valentine George Feret, Jr.**, Littleton,
CO (US)

(**) Term: **15 Years**

(21) Appl. No.: **29/620,537**

(22) Filed: **Feb. 9, 2017**

(51) **LOC (11) Cl.** **21-02**

(52) **U.S. Cl.**
USPC **D21/743**

(58) **Field of Classification Search**
USPC D21/736-746, 759
CPC A63B 53/00; A63B 53/04; A63B 53/007;
A63B 53/065; A63B 53/0487; A63B
60/00; A63B 60/46
See application file for complete search history.

(56) **References Cited**

U.S. PATENT DOCUMENTS

D309,765 S *	8/1990	Pelz	D21/735
D315,386 S *	3/1991	Alonso	D21/741
D317,034 S *	5/1991	Pelz	D21/735
D317,962 S *	7/1991	Pelz	D21/735
D455,467 S *	4/2002	Shenoha	D21/736
D472,594 S *	4/2003	Tang	D21/735
D472,595 S *	4/2003	Tang	D21/735
D483,824 S *	12/2003	Tang	D21/738
D497,402 S *	10/2004	Moore	D21/736
D538,865 S *	3/2007	Cameron	D21/736

D548,296 S *	8/2007	Rollinson	D21/744
D559,930 S *	1/2008	Cameron	D21/746
D569,929 S *	5/2008	Robb	D21/744
D585,511 S *	1/2009	Cameron	D21/743
D620,993 S *	8/2010	Laub	D21/746
D623,251 S *	9/2010	Rollinson	D21/744
D629,475 S *	12/2010	Rollinson	D21/736
D632,747 S *	2/2011	Jeffres	D21/742
D641,815 S *	7/2011	Rollinson	D21/744
D650,459 S *	12/2011	Rollinson	D21/746
D681,141 S *	4/2013	Graves	D21/742
D730,463 S *	5/2015	Dolezel	D21/742
D759,171 S *	6/2016	Rollinson	D21/743
D769,993 S *	10/2016	Abbott	D21/742
D773,572 S *	12/2016	Rollinson	D21/743
2002/0123393 A1 *	9/2002	Tang	A63B 53/04 473/340

* cited by examiner

Primary Examiner — Mitchell I. Siegel

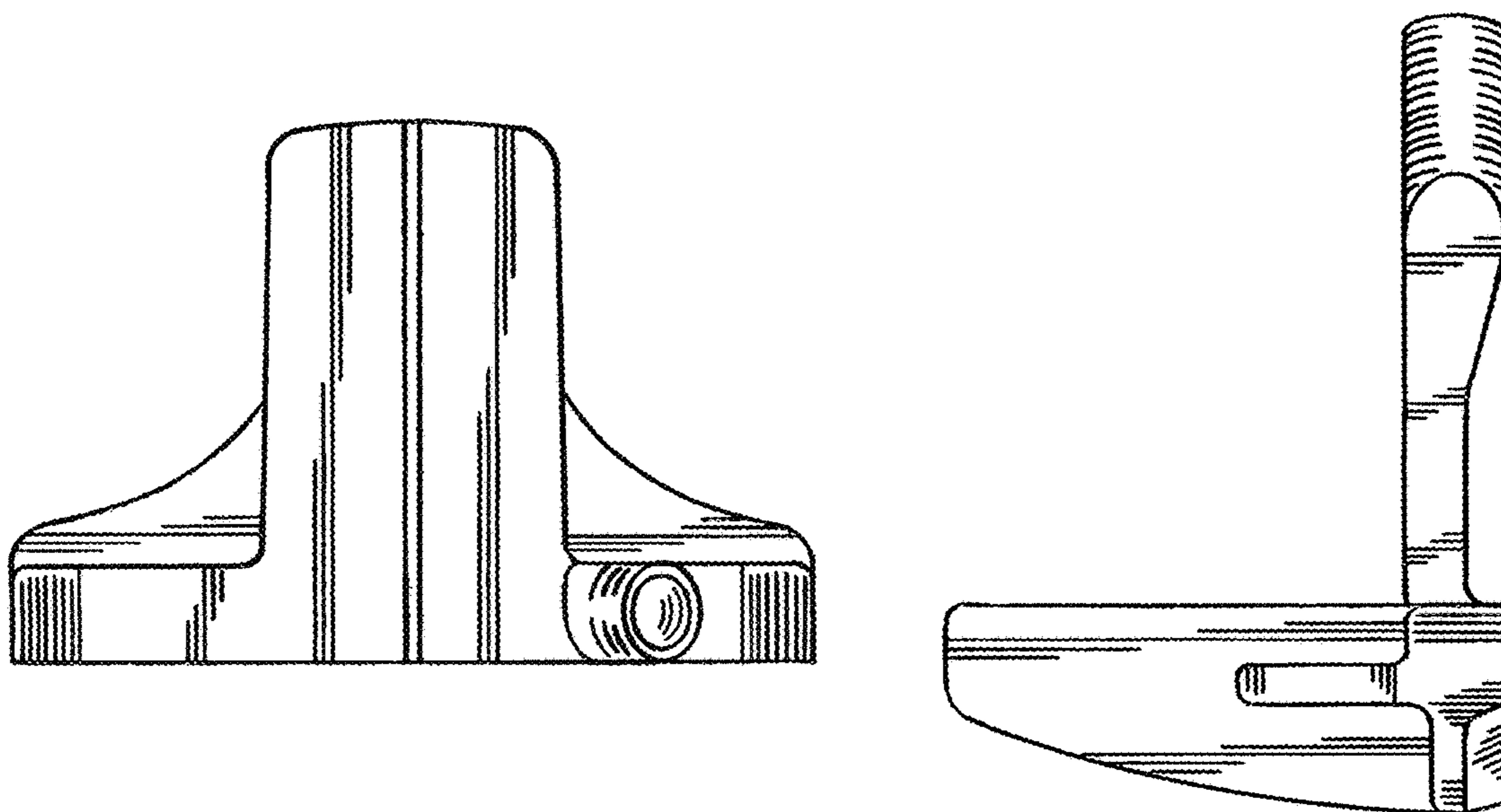
(57) **CLAIM**

The ornamental design for a golf putter, as shown and described.

DESCRIPTION

FIG. 1: is a front elevation view of a golf putter showing my new design.
FIG. 2: is a bottom plan view thereof;
FIG. 3: is a top plan view thereof;
FIG. 4: is a rear elevation view thereof;
FIG. 5: is a right side elevation view thereof;
FIG. 6: is a left side elevation view thereof; and,
FIG. 7: is a cross sectional view taken on line 7-7 of FIG. 1.

1 Claim, 4 Drawing Sheets



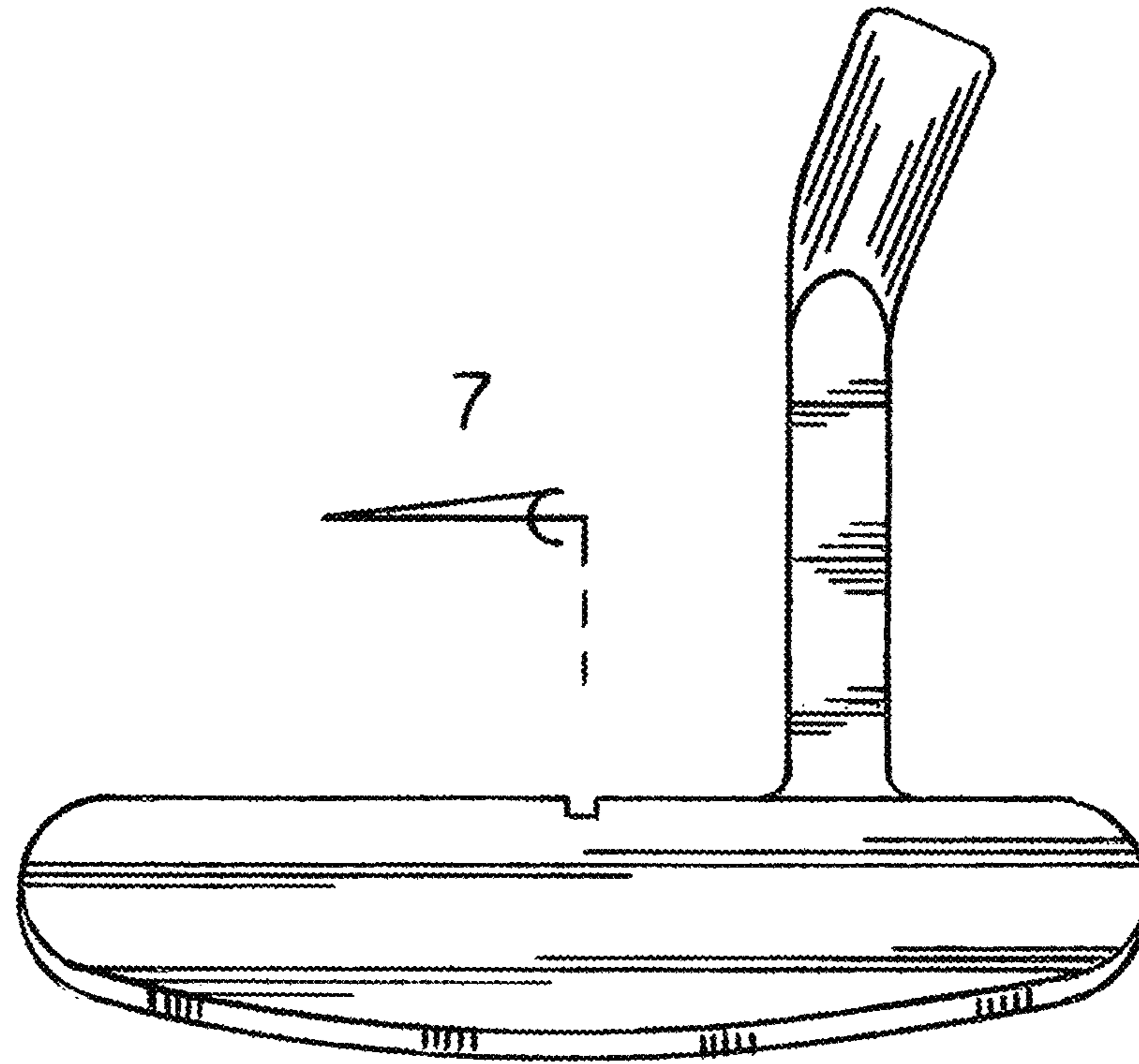


FIG. 1

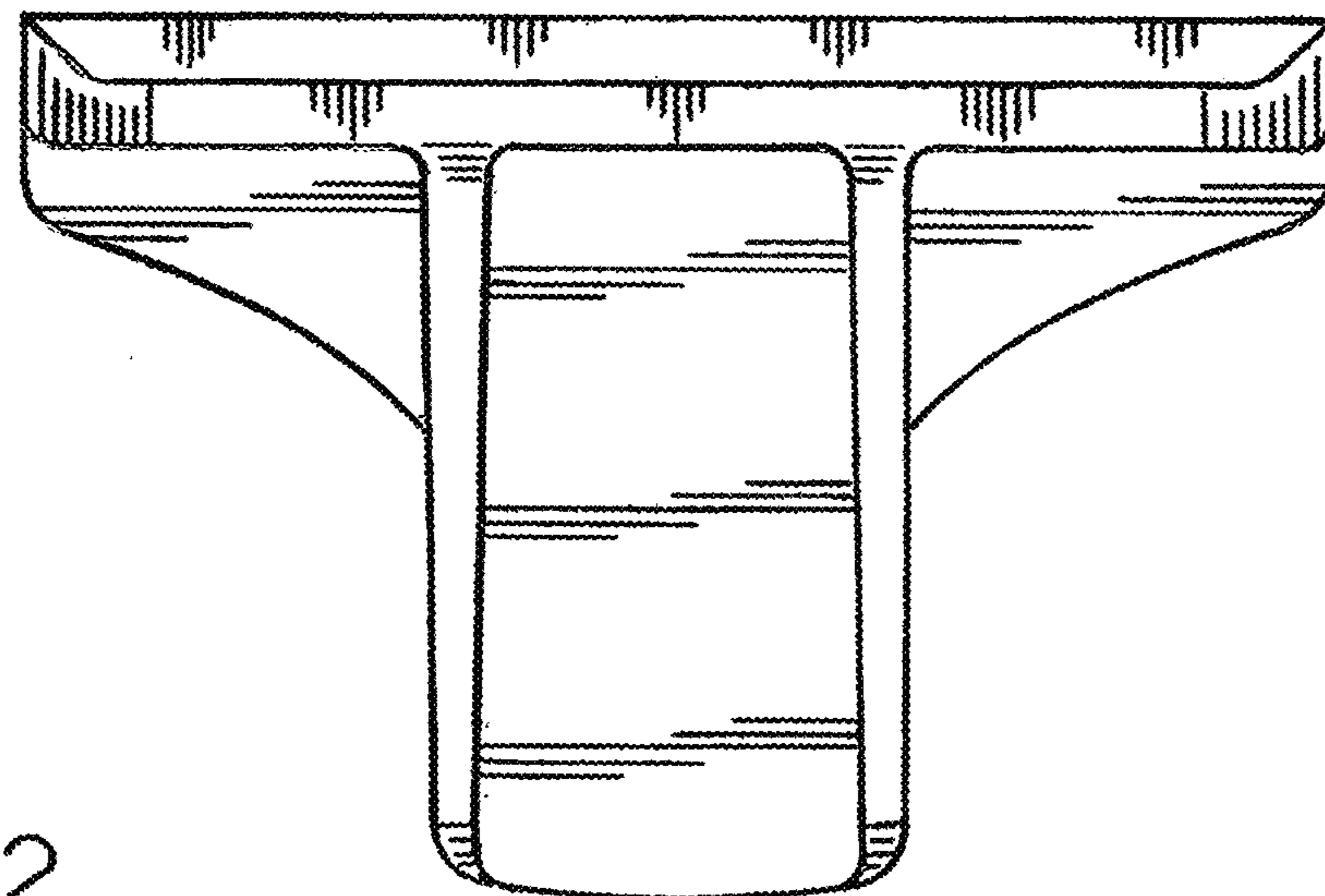
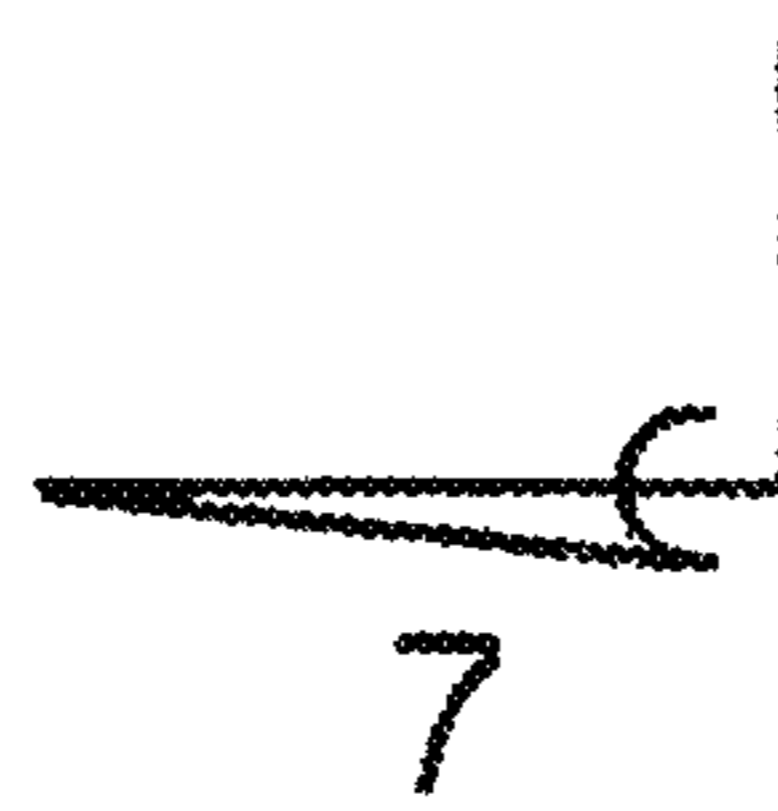


FIG. 2

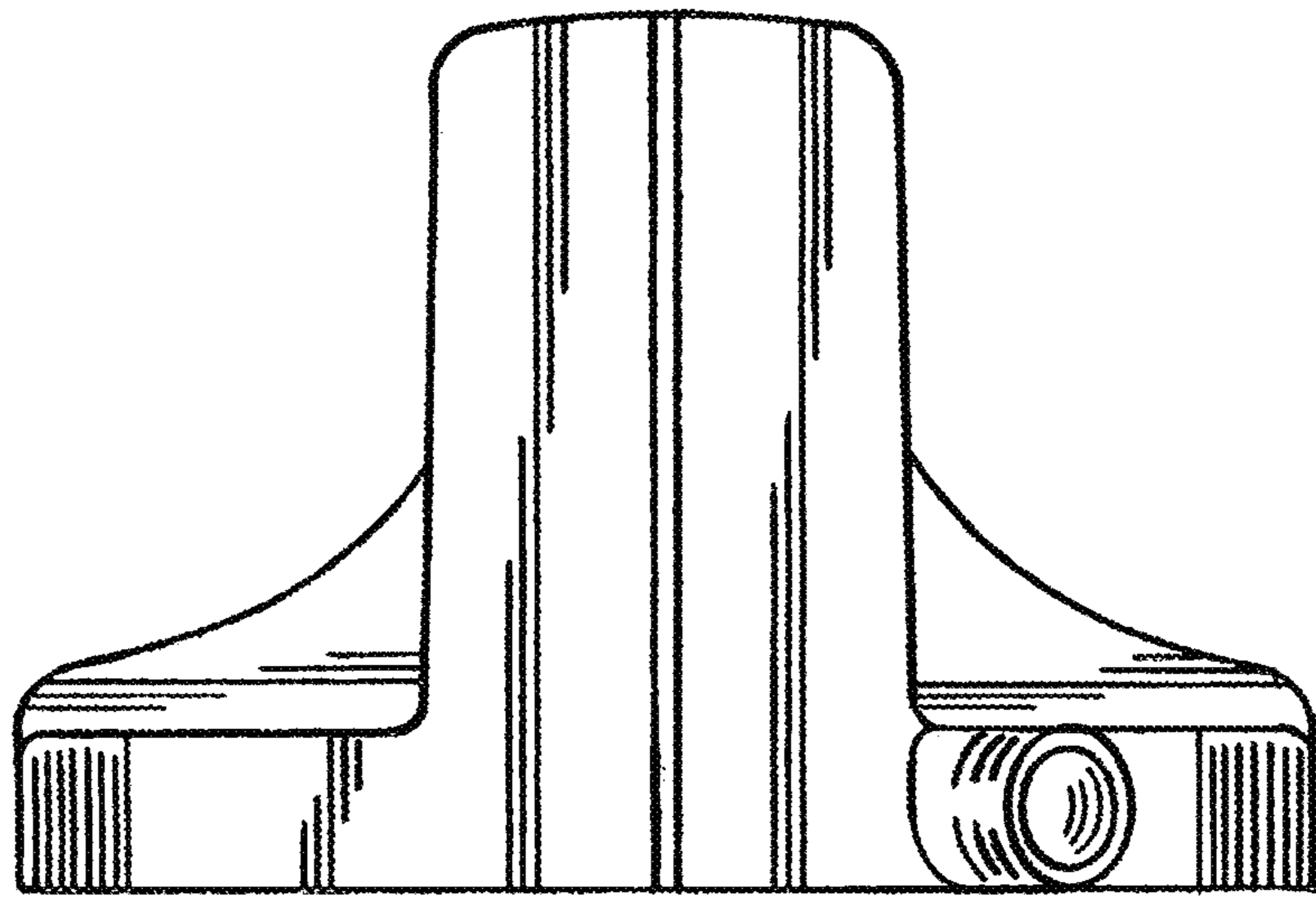


FIG. 3

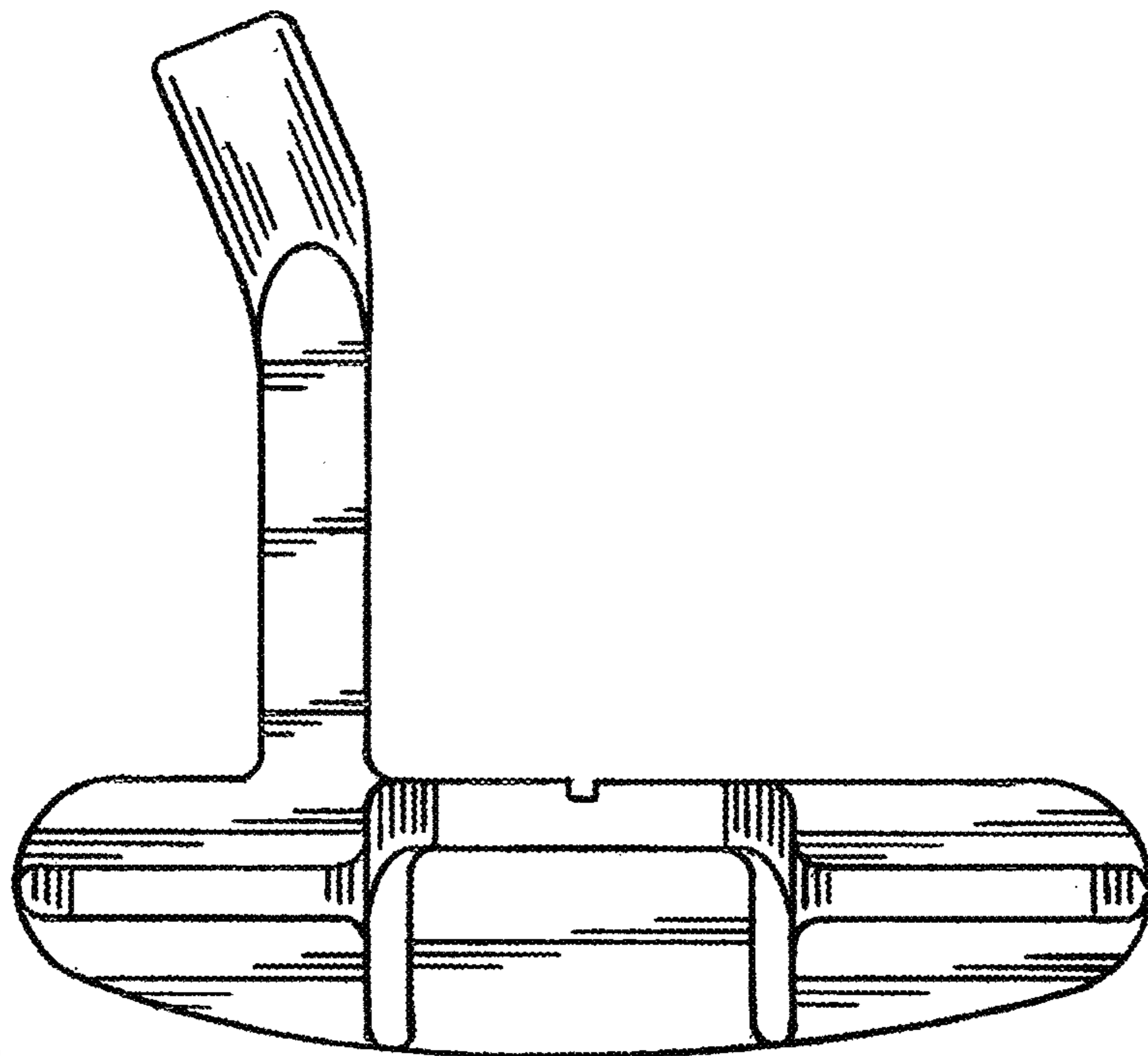


FIG. 4

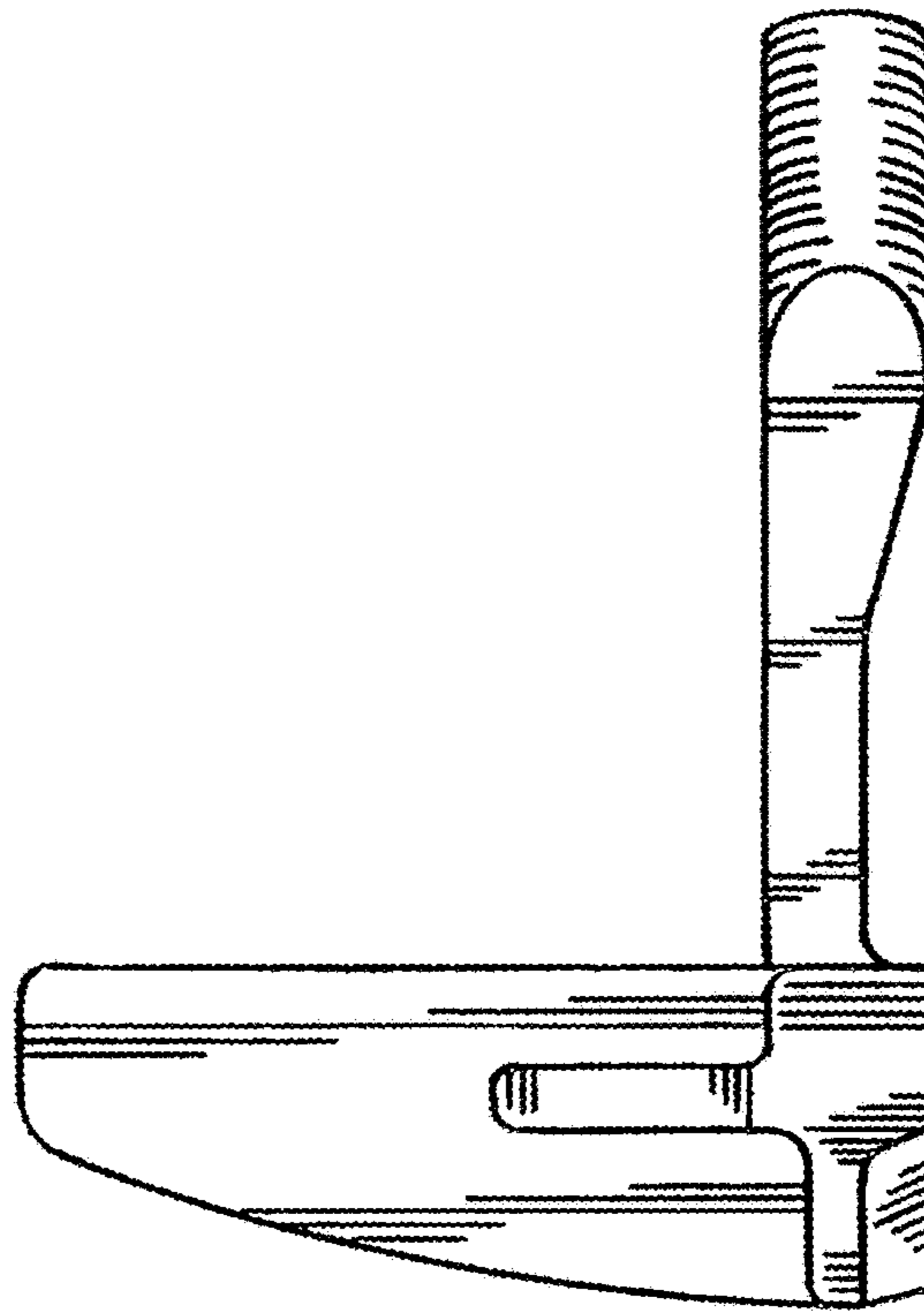


FIG. 5

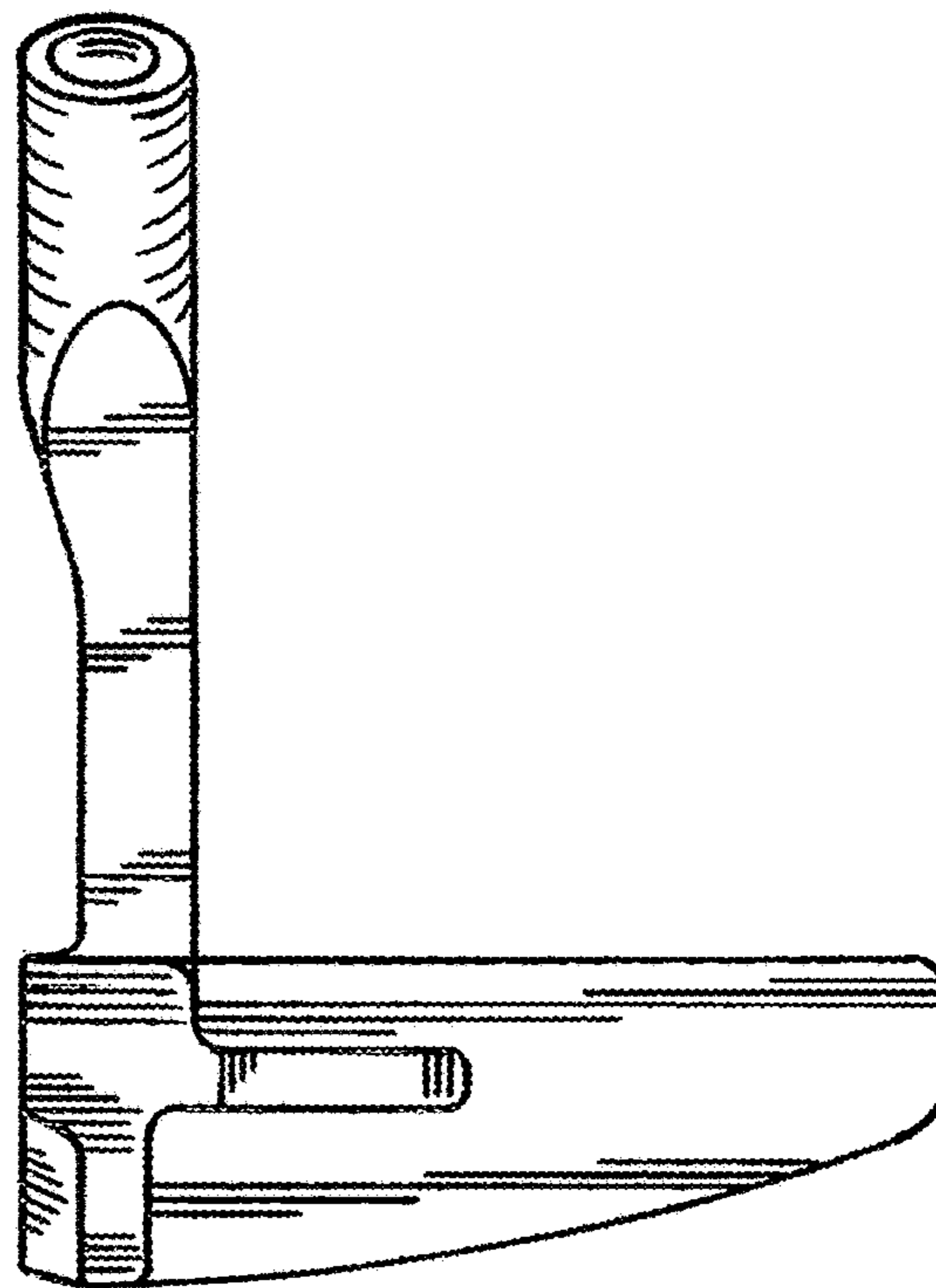


FIG. 6

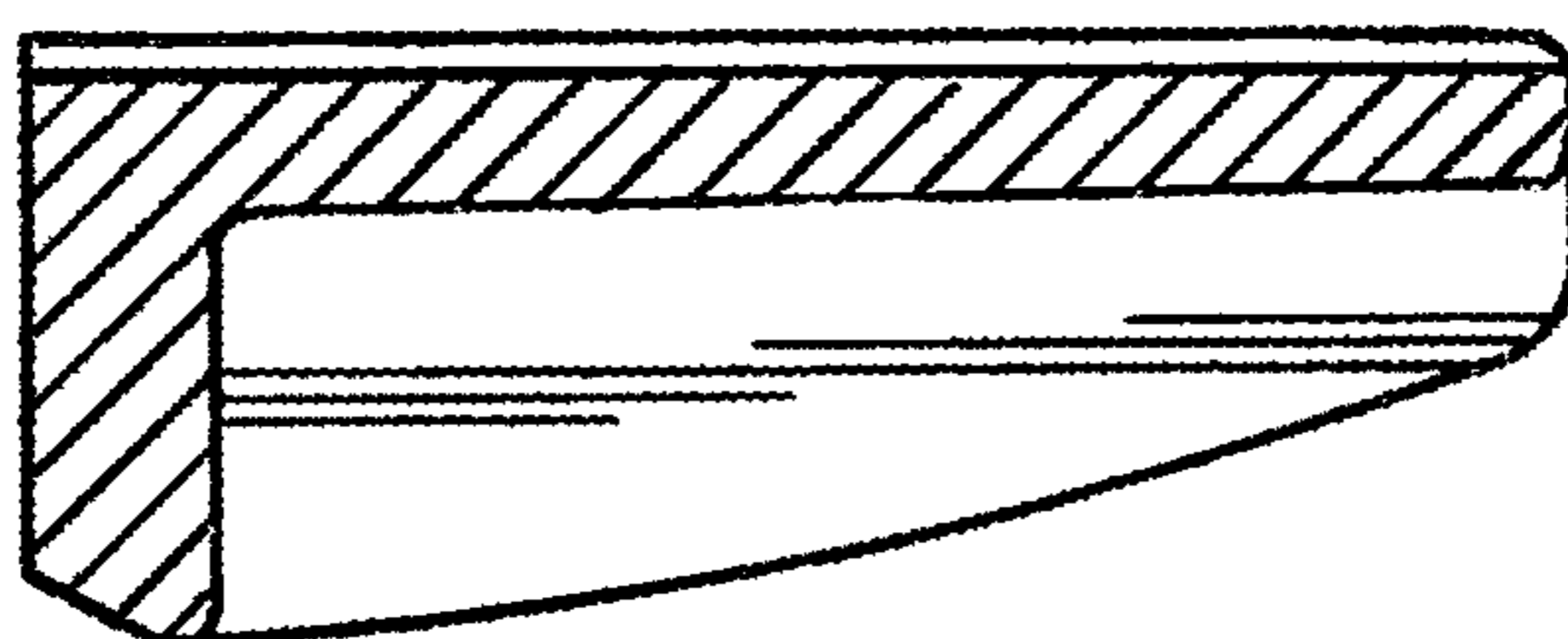


FIG. 7