



US00D822132S

(12) **United States Design Patent**
Hairston

(10) **Patent No.:** **US D822,132 S**
(45) **Date of Patent:** **** Jul. 3, 2018**

- (54) **KICKING TRAINING DEVICE**
- (71) Applicant: **Simple Kicking Solutions**, Dallas, TX (US)
- (72) Inventor: **James Hairston**, Dallas, TX (US)
- (73) Assignee: **Simple Kicking Solutions**, Dallas, TX (US)
- (**) Term: **15 Years**
- (21) Appl. No.: **29/575,263**
- (22) Filed: **Aug. 23, 2016**
- (51) **LOC (11) Cl.** **21-02**
- (52) **U.S. Cl.**
USPC **D21/699**; D21/788
- (58) **Field of Classification Search**
USPC D21/302, 304, 305, 306, 698-705, 780, D21/781, 788, 789, 790, 791, 798, 799.1, D21/799.2
CPC A63B 63/00; A63B 63/08; A63B 63/008; A63B 63/083; A63B 63/06; A63B 63/003; A63B 2063/00; A63B 2063/002; A63B 2063/086; A63B 2063/065; A63B 69/00; A63B 69/0071; A63B 69/002; A63B 71/0022; A63B 71/023; A63B 2243/0066; A63B 2243/007
See application file for complete search history.

(56) **References Cited**

U.S. PATENT DOCUMENTS

2,845,269	A	7/1958	Simmons	
3,856,302	A	12/1974	Karkoska	
4,936,578	A *	6/1990	Hudson, Sr.	A63B 63/00 273/402
5,800,290	A *	9/1998	Barry	A63B 63/00 473/438
6,375,585	B1	4/2002	Driscoll	
6,394,917	B1	5/2002	Chiappini et al.	

7,014,578	B1 *	3/2006	Brodeur	A63B 63/008 473/439
7,090,596	B2 *	8/2006	David	A63B 63/00 273/402
8,753,234	B1 *	6/2014	Hair	A63B 63/008 473/477
D709,977	S *	7/2014	Mills	D21/791
2003/0144091	A1	7/2003	Dickson	
2004/0132557	A1 *	7/2004	Broglio	A63B 69/0002 473/422
2010/0267495	A1 *	10/2010	Heystek	A63B 69/0071 473/447
2011/0269580	A1 *	11/2011	Query, Jr.	A63B 63/008 473/477

(Continued)

Primary Examiner — Catherine A Tuttle

(74) *Attorney, Agent, or Firm* — Vinson & Elkins LLP

(57) **CLAIM**

I claim the ornamental design for a kicking training device, as shown and described.

DESCRIPTION

FIG. 1 is a perspective view of a kicking training device showing my new design with portions broken away of ease of illustration;

FIG. 2 is a right end elevational view thereof, the left end being a mirror image of the end shown;

FIG. 3 is a front elevational view thereof, the rear view being a mirror image of the front;

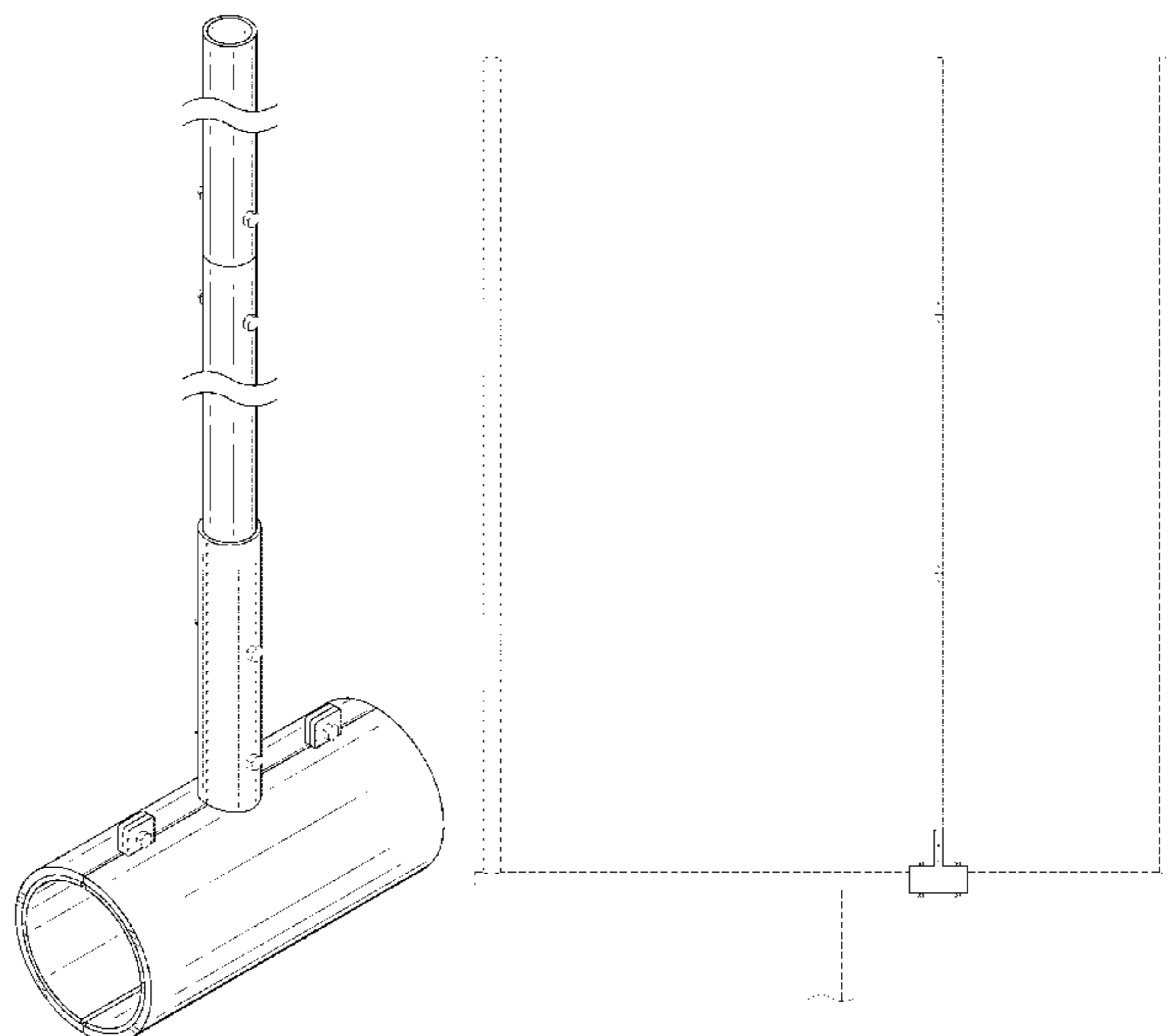
FIG. 4 is a top plan view thereof;

FIG. 5 is a bottom plan view thereof; and,

FIG. 6 is a reduced scale front elevational view showing the full length of the design together with dashed lines showing environmental structure.

The dashed lines immediately adjacent the shaded areas serve to define the bounds of the claim, while the remainder of the dashed lines are for illustrative purposes only. None of the dashed lines form part of the claimed design.

1 Claim, 4 Drawing Sheets



(56)

References Cited

U.S. PATENT DOCUMENTS

2014/0066230 A1* 3/2014 Bennett A63B 61/006
473/462

* cited by examiner

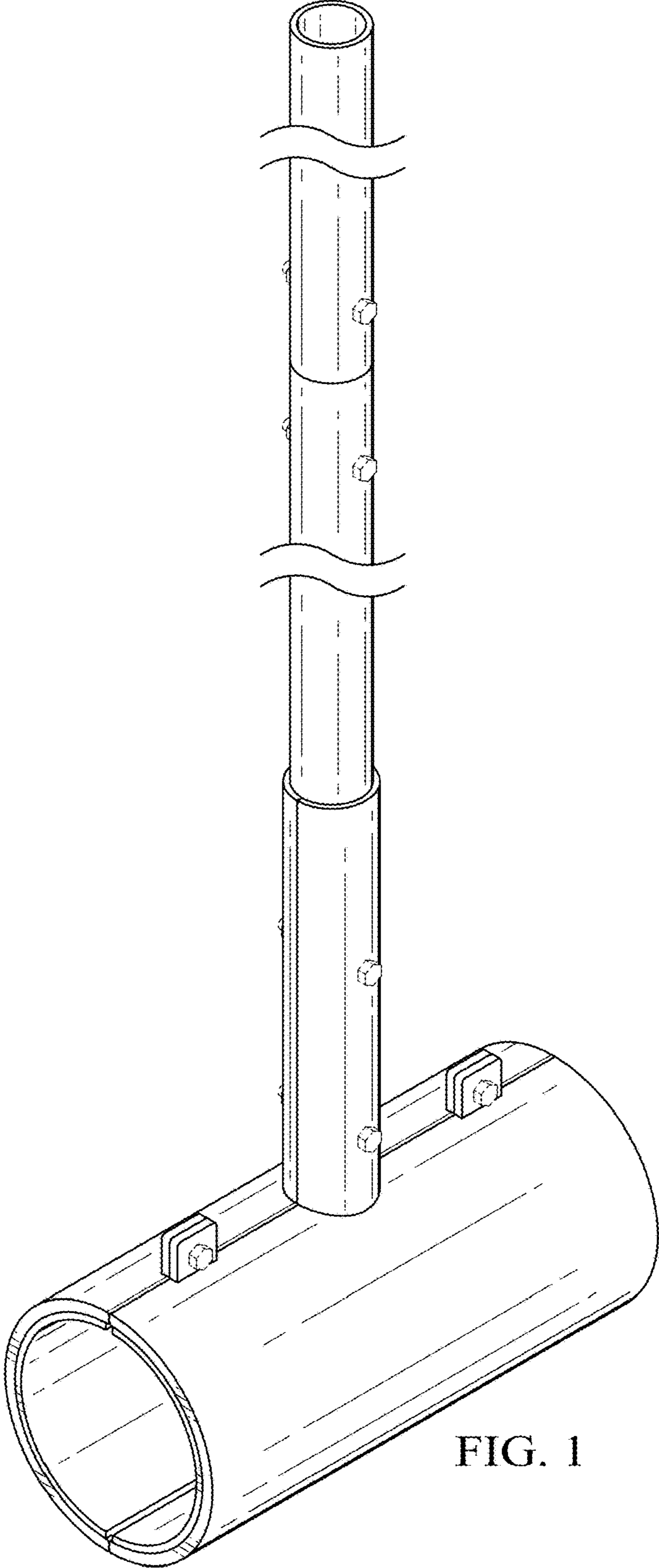
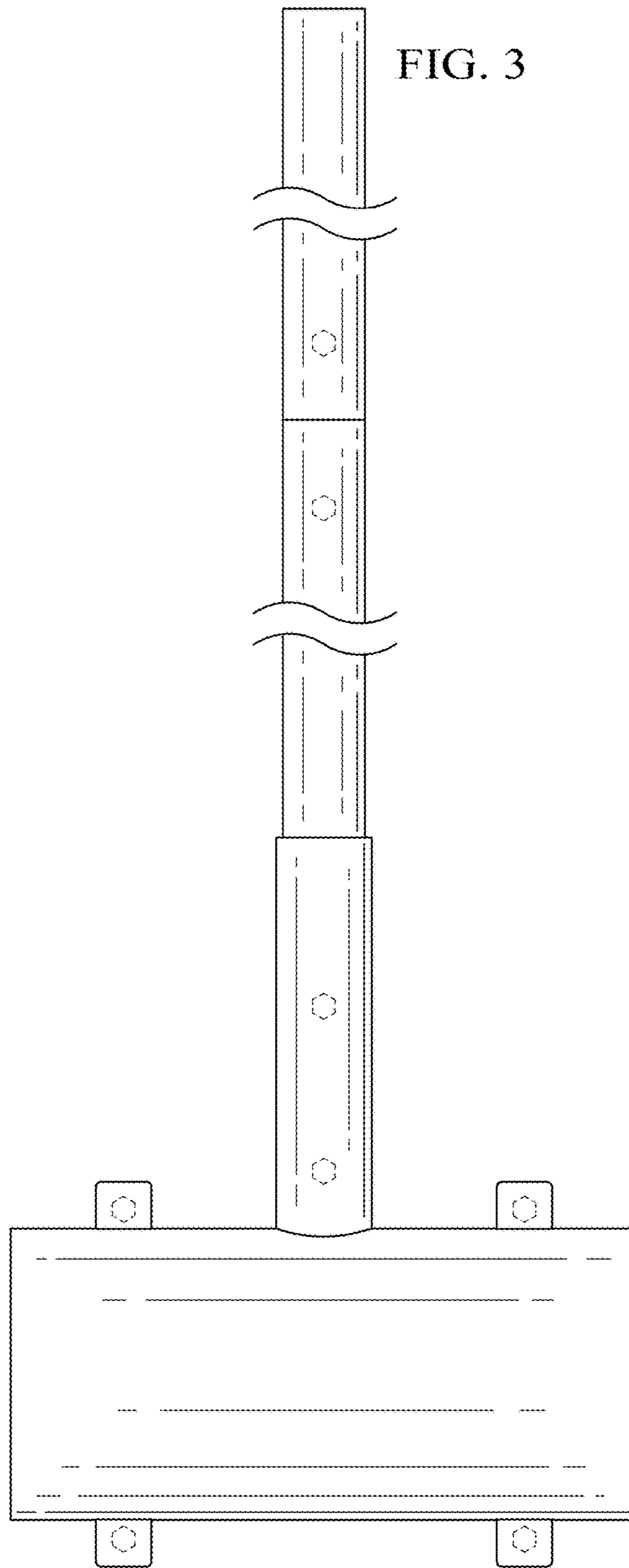
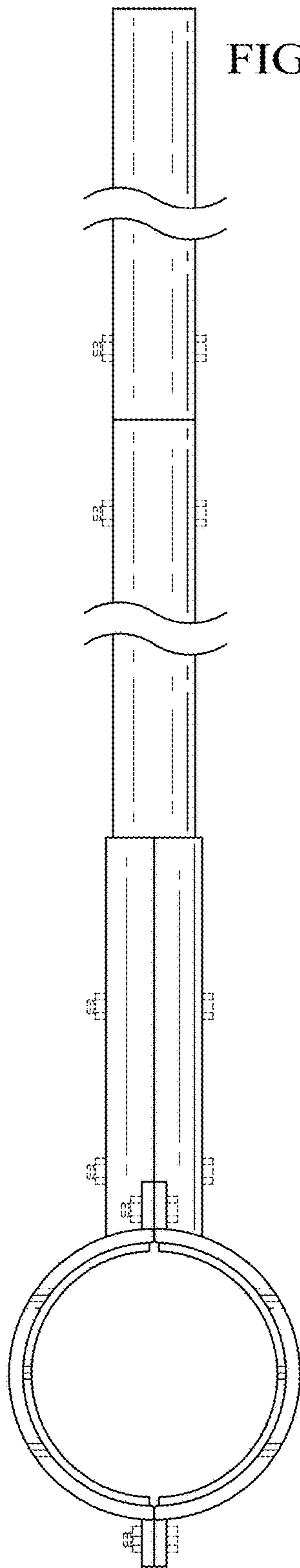


FIG. 1



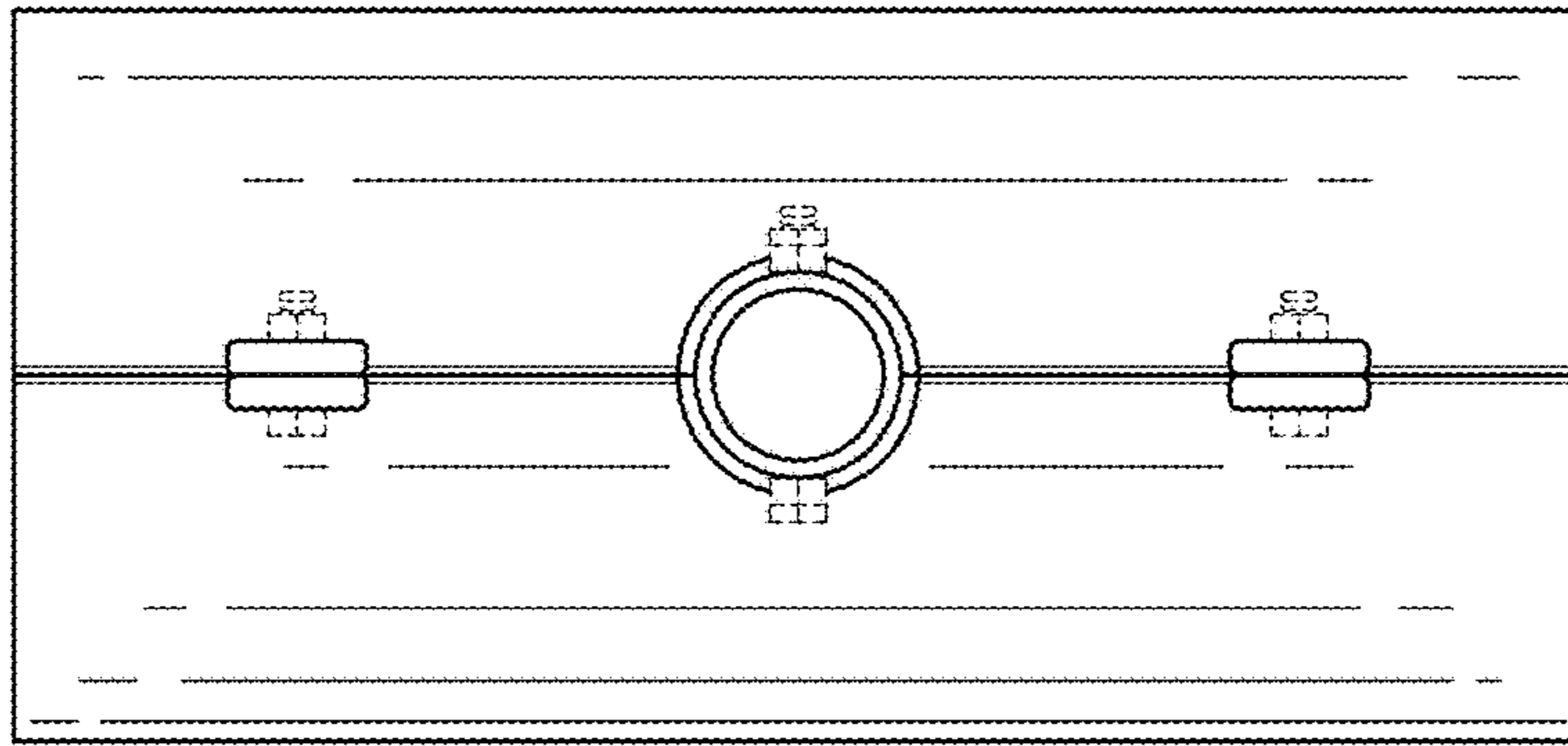


FIG. 4

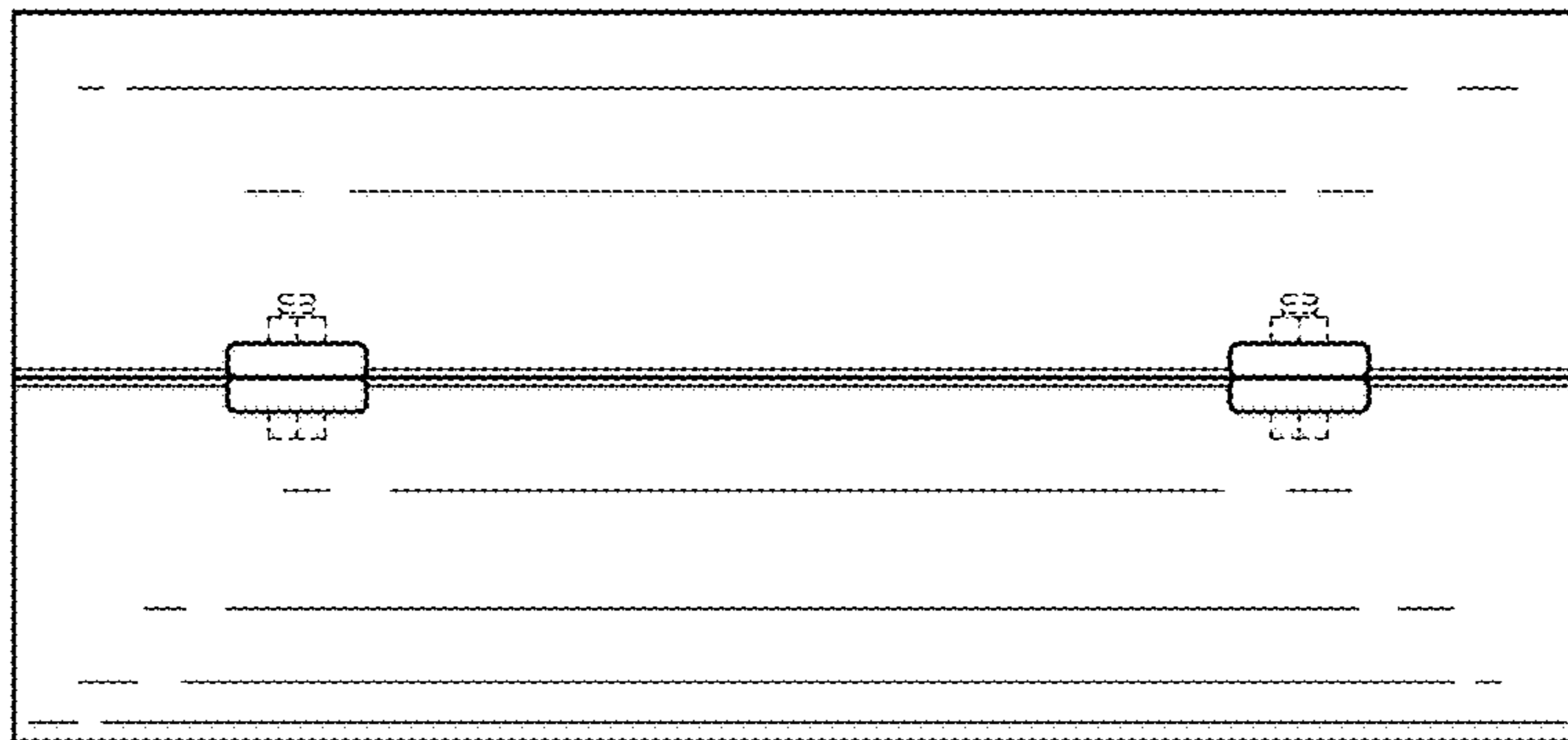


FIG. 5

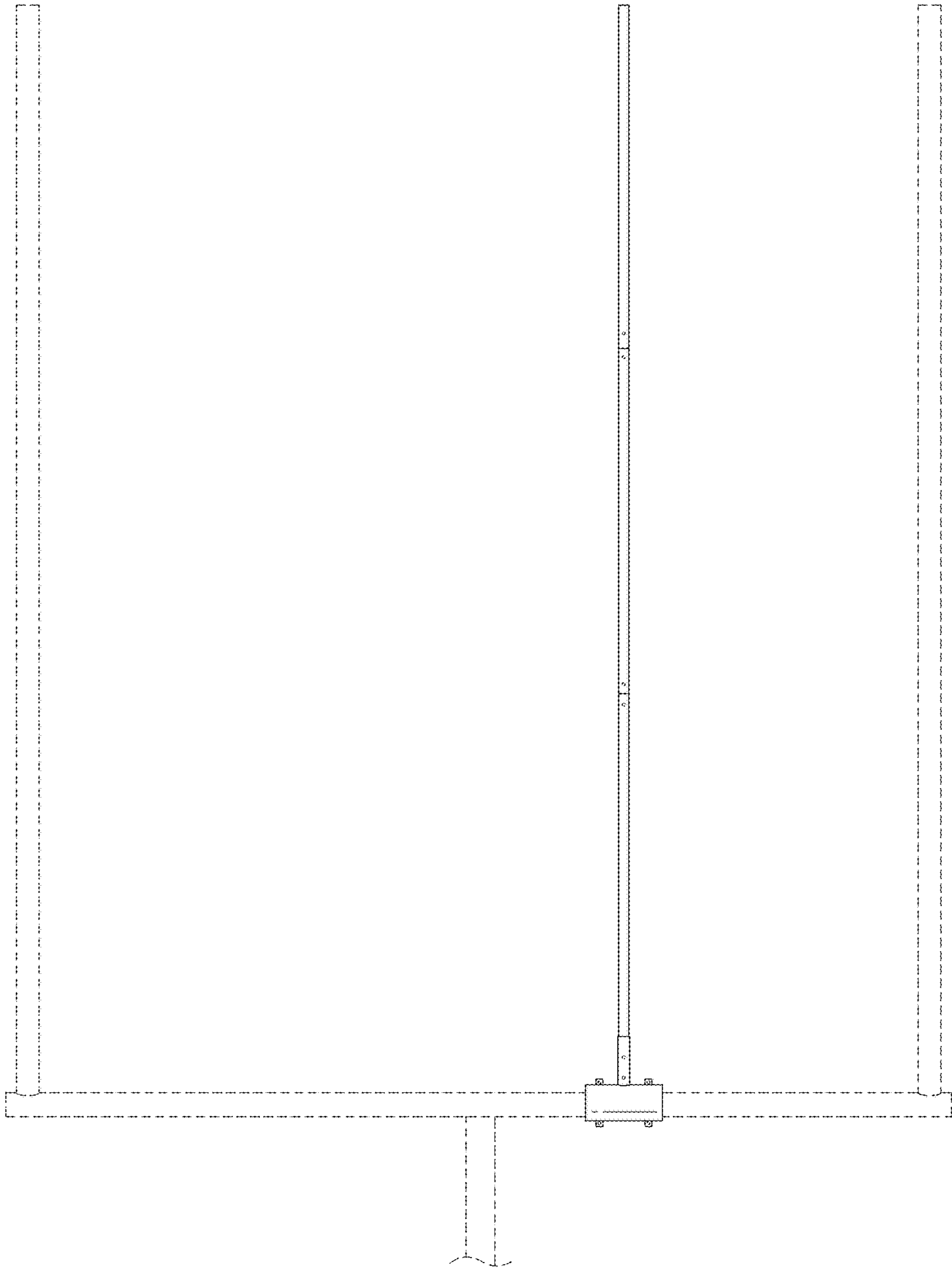


FIG. 6