



US00D822128S

(12) **United States Design Patent** (10) **Patent No.:** **US D822,128 S**
Ha et al. (45) **Date of Patent:** **** Jul. 3, 2018**

(54) **ROBOT TOY**
(71) Applicant: **CJ E&M Corporation**, Seoul (KR)
(72) Inventors: **Se Jung Ha**, Seoul (KR); **Bu Kyung Kim**, Seoul (KR); **Yoon Sun Shim**, Gyeonggi-do (KR); **Ye Rim Woo**, Seoul (KR)

(73) Assignee: **CJ E&M Corporation**, Seoul (KR)

(**) Term: **15 Years**

(21) Appl. No.: **29/535,820**

(22) Filed: **Aug. 11, 2015**

(30) **Foreign Application Priority Data**

Jul. 27, 2015 (KR) 30-2015-0037846

(51) **LOC (11) Cl.** **21-01**

(52) **U.S. Cl.**
USPC **D21/578; D21/580**

(58) **Field of Classification Search**
USPC D21/658-659, 630, 578-579, 580-581
CPC A63H 33/003; Y10S 901/01
See application file for complete search history.

(56) **References Cited**

U.S. PATENT DOCUMENTS

4,516,948	A *	5/1985	Obara	A63H 33/003 446/376
D297,039	S *	8/1988	Matsumoto	D21/578
D622,786	S *	8/2010	Lee	D21/578
D647,149	S *	10/2011	Wong	D15/199
D680,177	S *	4/2013	Wong	D15/199
D793,489	S *	8/2017	Ha	D21/578
D793,490	S *	8/2017	Ha	D21/578
D793,491	S *	8/2017	Ha	D21/578
D794,136	S *	8/2017	Ha	D21/578
D794,137	S *	8/2017	Ha	D21/578

2007/0220637	A1 *	9/2007	Endo	B25J 9/161 318/568.17
2007/0260355	A1 *	11/2007	Morimoto	G06N 3/008 700/245
2009/0209167	A1 *	8/2009	Ejima	A63H 17/02 446/93

OTHER PUBLICATIONS

Gmarket—Robot Train, first available Jan. 2015, item2.gmarket.co.kr, Copyright © eBay Korea Co., Ltd., site visited Oct. 18, 2016, Available from Internet, <<http://item2.gmarket.co.kr/Item/DetailView/Item.aspx?goodscode=658116551>>.*

(Continued)

Primary Examiner — Cathron C Brooks

Assistant Examiner — Sharon S Oum

(74) *Attorney, Agent, or Firm* — Leydig Voit & Mayer

(57) **CLAIM**

The ornamental design for a robot toy, as shown and described.

DESCRIPTION

The patent or application file contains at least one drawing executed in color. Copies of this patent or patent application publication with color drawing(s) will be provided by the Office upon request and payment of the necessary fee.

FIG. 1 is a perspective view of a robot toy of the present invention.

FIG. 2 is a front view of FIG. 1 shown in an alternate position with arms raised to shoulder height;

FIG. 3 is a rear elevational view thereof;

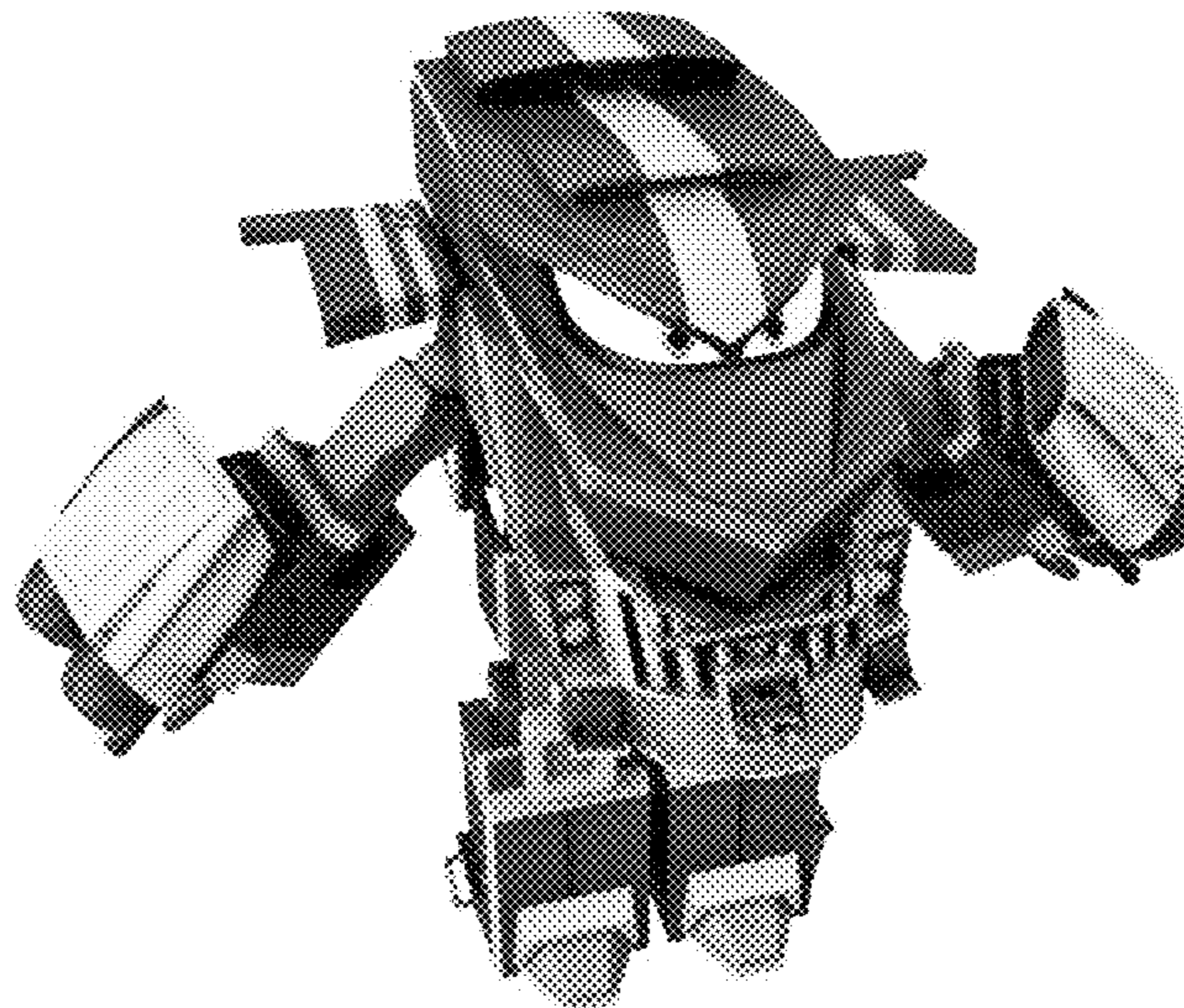
FIG. 4 is a left side elevational view thereof;

FIG. 5 is a right side elevational view thereof;

FIG. 6 is a top plan view thereof; and,

FIG. 7 is a bottom plan view thereof.

1 Claim, 7 Drawing Sheets
(7 of 7 Drawing Sheet(s) Filed in Color)



(56)

References Cited

OTHER PUBLICATIONS

8pcs/set Super Wings Mini Planes Toys Deformation Airplane Robot Action Figures Boys&Girls Birthday Gift Brinquedos, posted date unknown, amazon.com, Copyright © 1996-2016, site visited Oct. 18, 2016, Available from Internet, <<http://item2.gmarket.co.kr/Item/DetailView/Item.aspx?goodscode=658116551>>.*

Favorite Cars Song Disney Pixar Cars Collection Song DisneyCarToys Original Pixar Cars 2 McQueen, posted date Nov. 2, 2013, youtube.com, site visited Oct. 21, 2016, Available from Internet, <<https://www.youtube.com/watch?v=jnllQBUOS60>>.*

* cited by examiner



FIG. 1

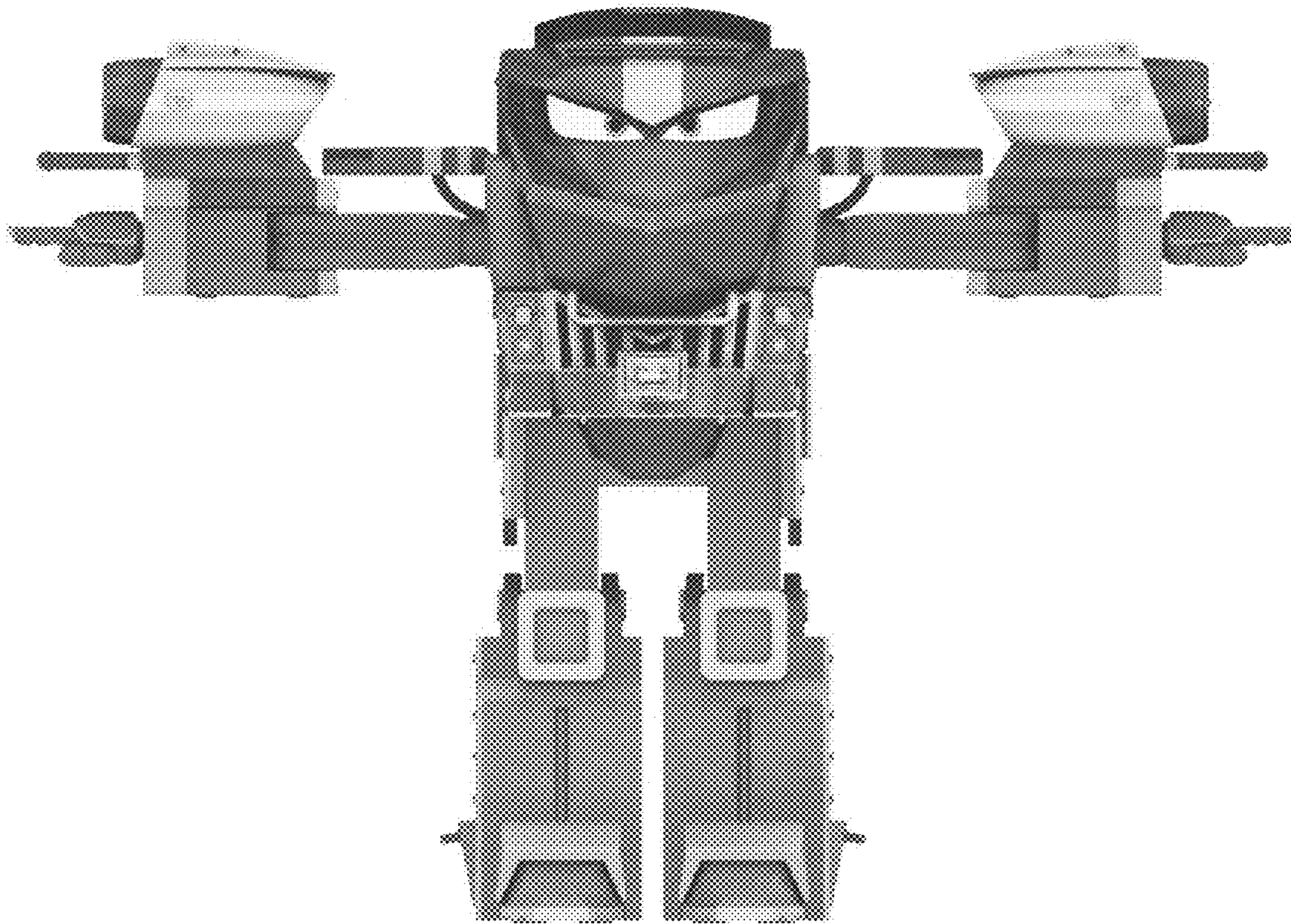


FIG. 2

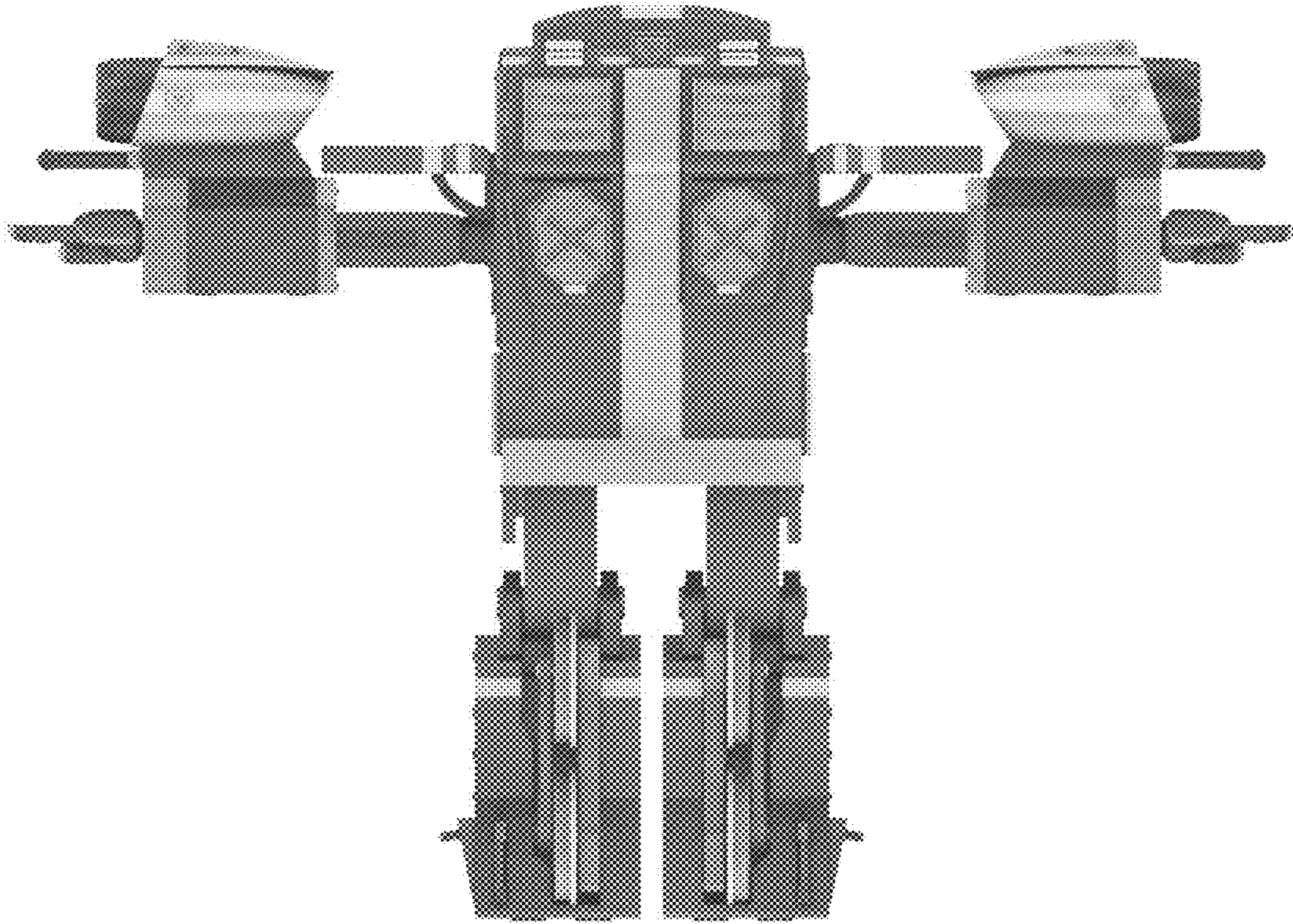


FIG. 3

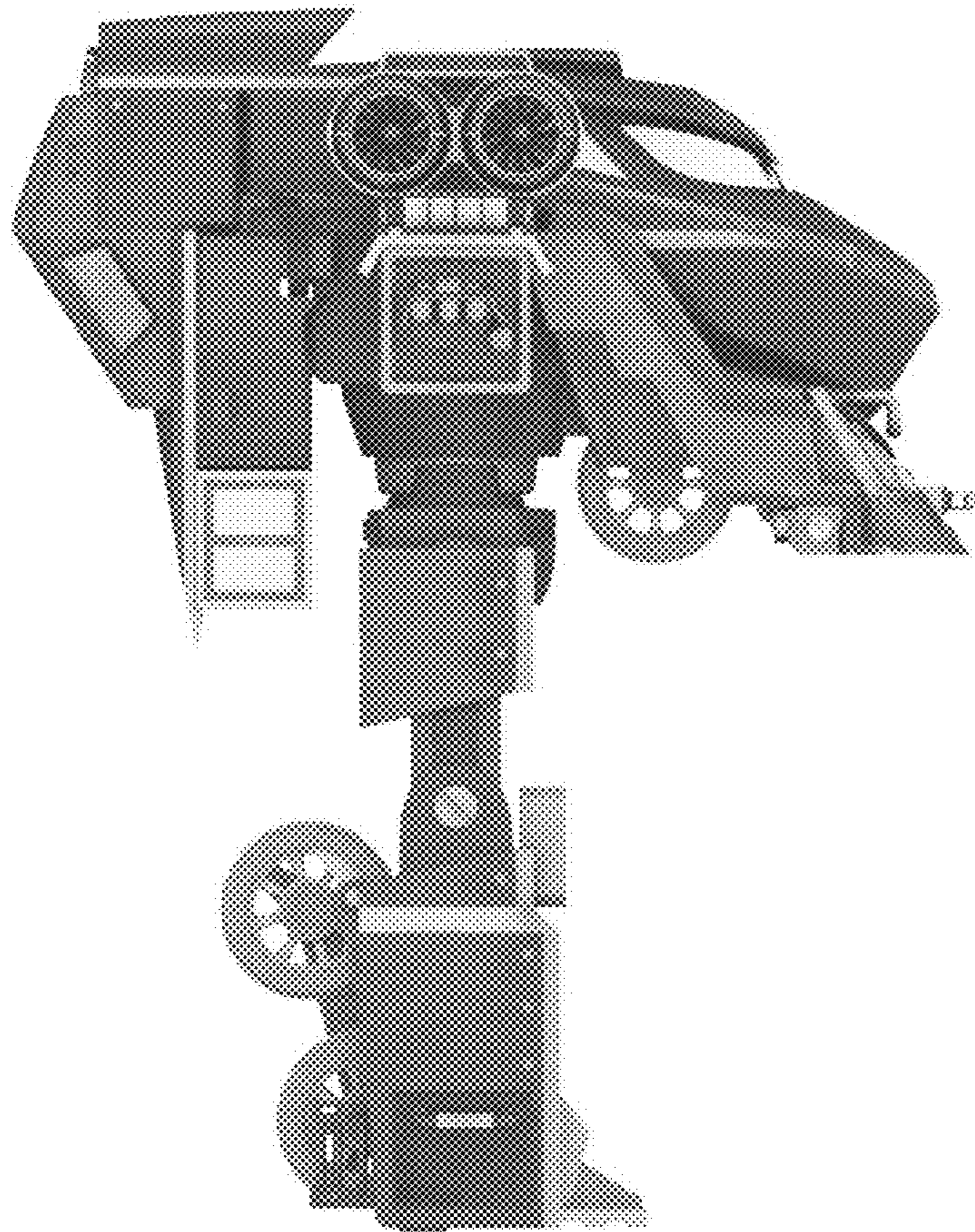


FIG. 4

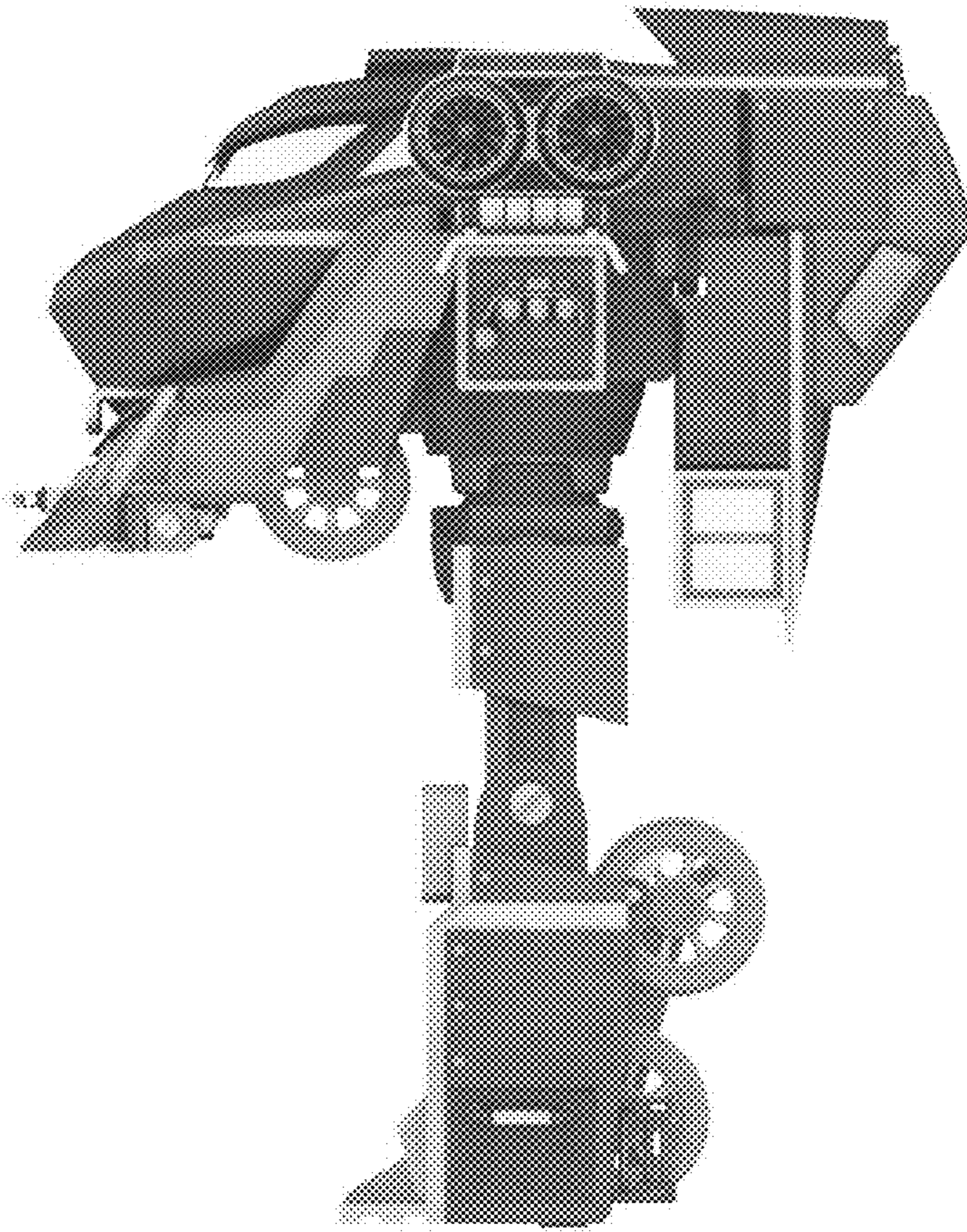


FIG. 5

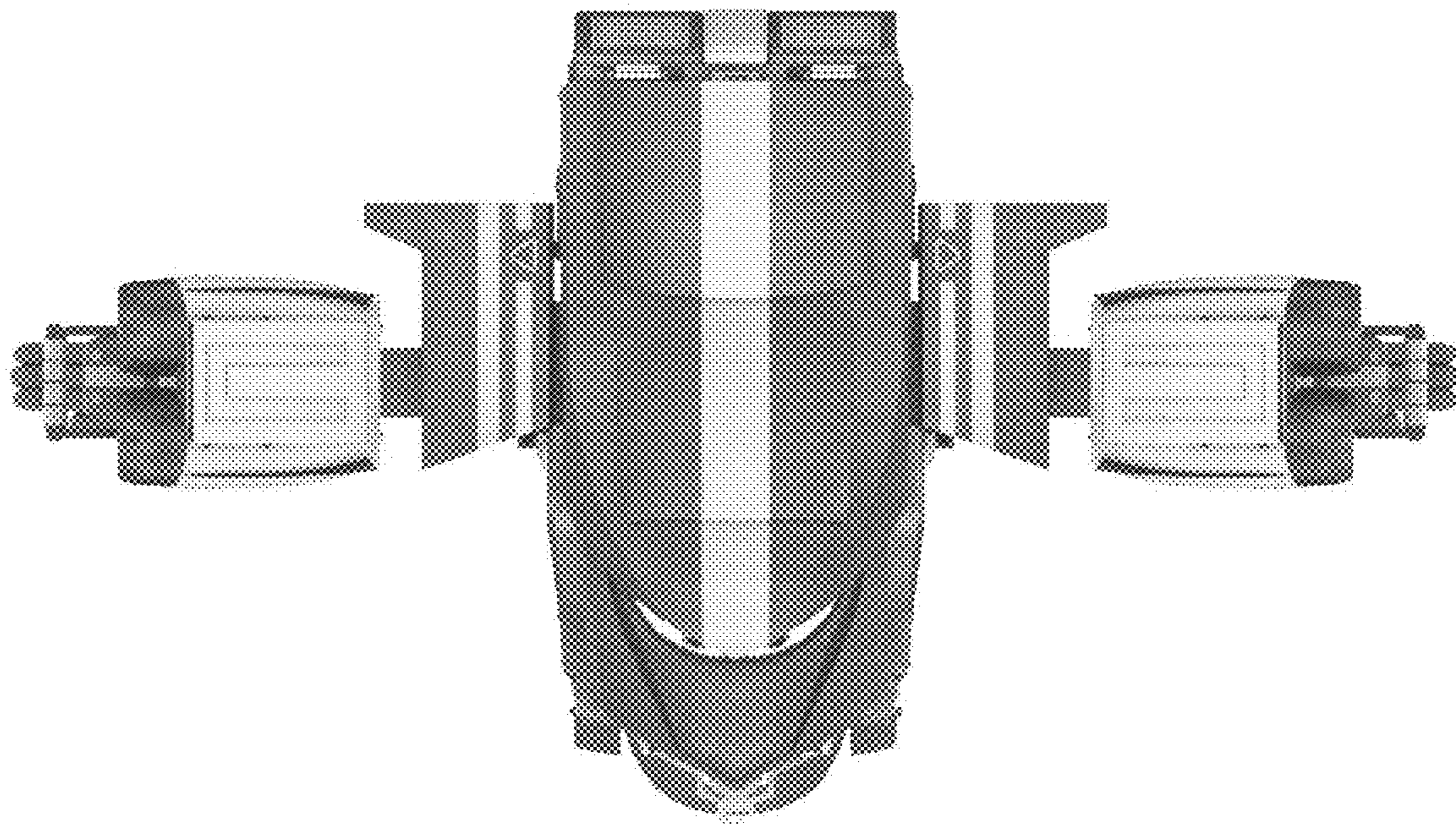


FIG. 6

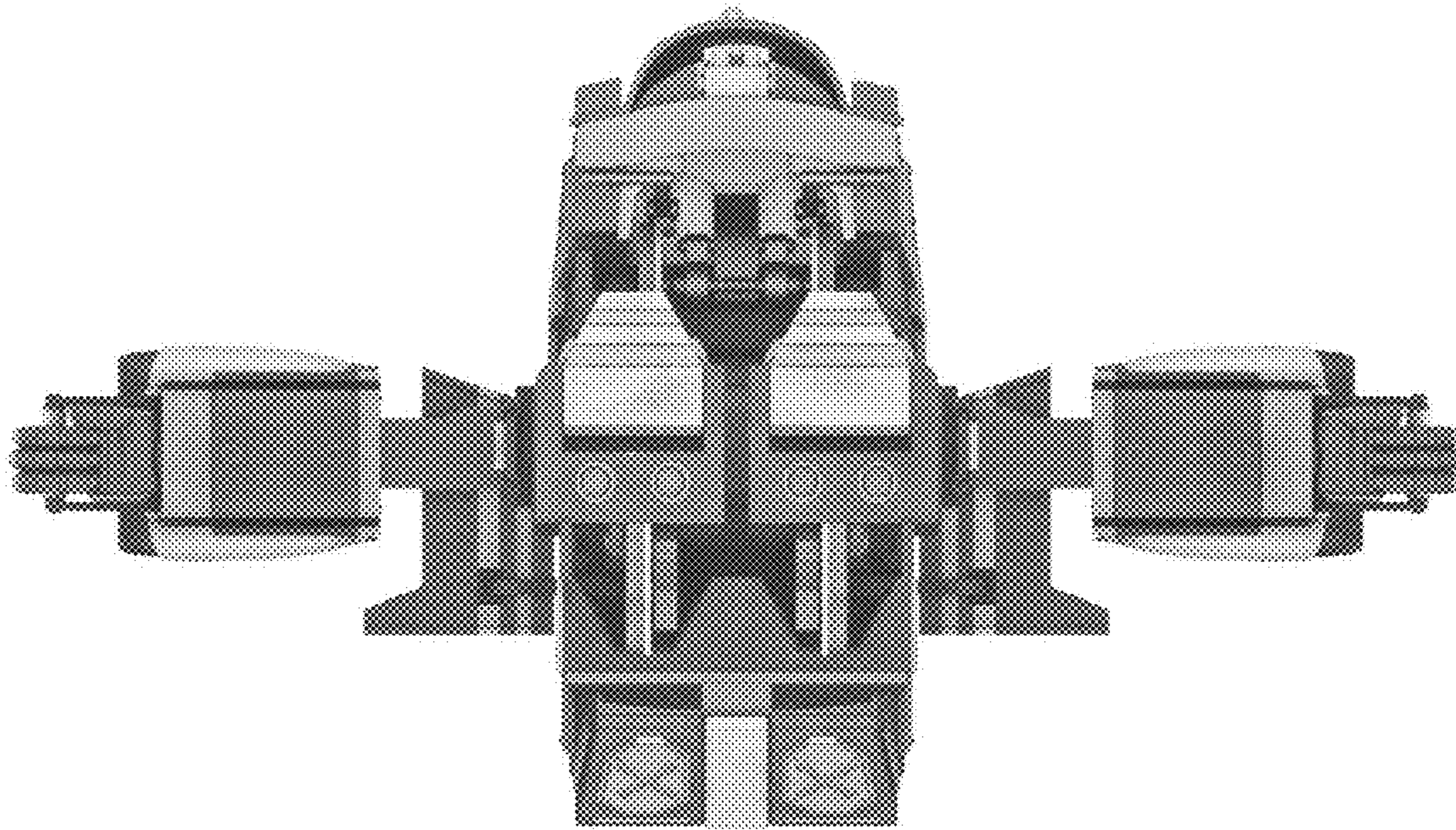


FIG. 7